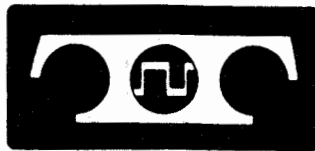


NAVSHIPS 0967-173-7020
VOLUME 2
(of 2 Volumes)

TECHNICAL MANUAL
28 KEYBOARD SEND-RECEIVE (KSR)
AND RECEIVE-ONLY (RO)
TELETYPEWRITER SETS



TELETYPE[®]
CORPORATION

5555 TOUHY AVENUE, SKOKIE, ILLINOIS



INTRODUCTION

This manual contains two (2) volumes of literature for the 28 Keyboard Send-Receive and the Receive-Only Teletypewriter Sets as follows:

Volume 1, NAVSHIPS 0967-173-7010, provides cross reference material, description and principles of operation, installation, adjustments, lubrication, disassembly and reassembly, and component wiring diagrams.

Volume 2, NAVSHIPS 0967-173-7020, provides parts ordering information.

Each volume is made up of a group of appropriate independent sections. The sections are complete within themselves; they are separately identified by title and section number and the pages of each section are numbered consecutively, independent of other sections.

The identifying number of a section, a 9-digit number, appears at the top of each page of the section, in the left corner of left-hand pages and the right corner of right-hand pages.

To locate specific information, refer to the table of contents. The name of the involved component, the title of the section, and the 9-digit section number may then be found. The sections are arranged in the order shown in the table of contents. Turn to page one of the section indicated where the contents of the section will be found (except where a section is small and does not require a listing of contents).



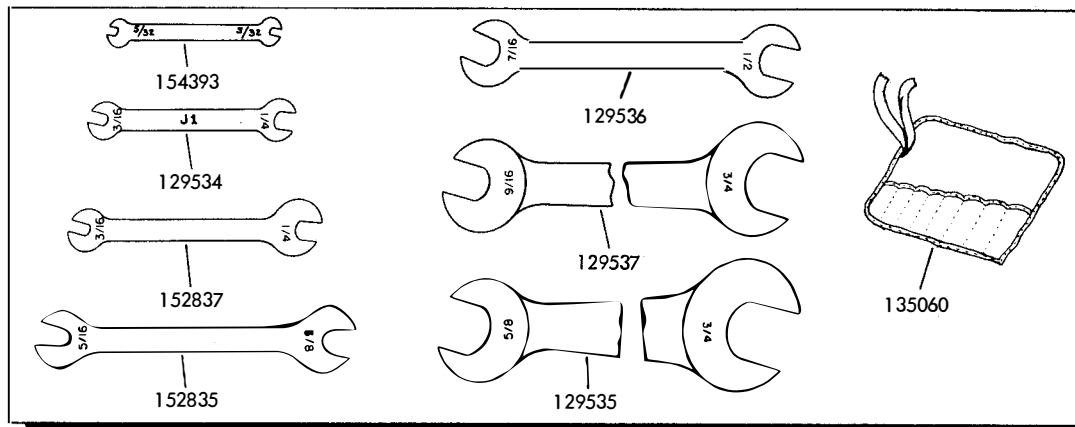
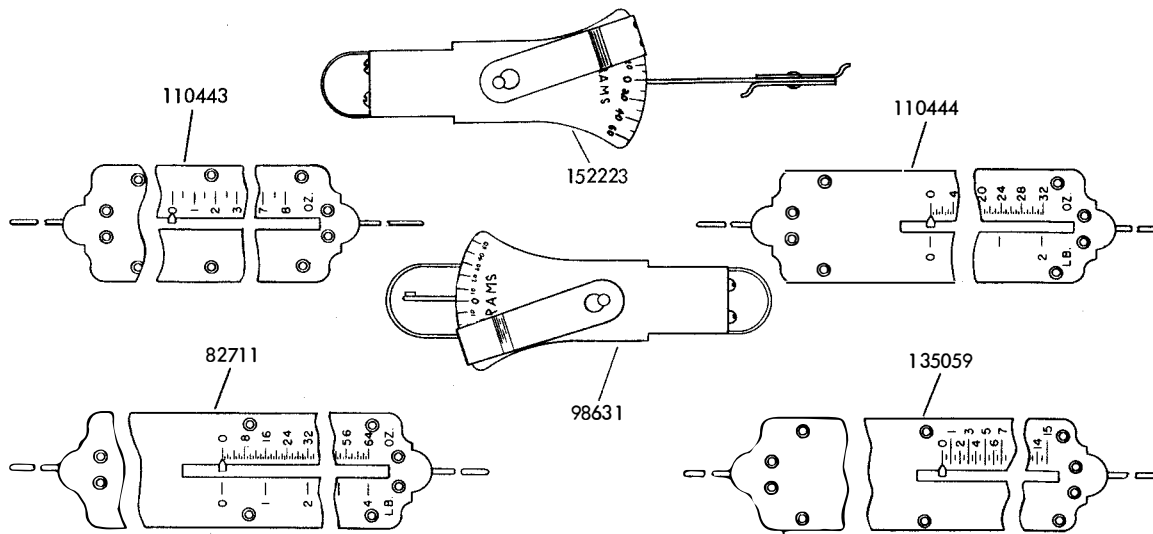
VOLUME 2

TABLE OF CONTENTS

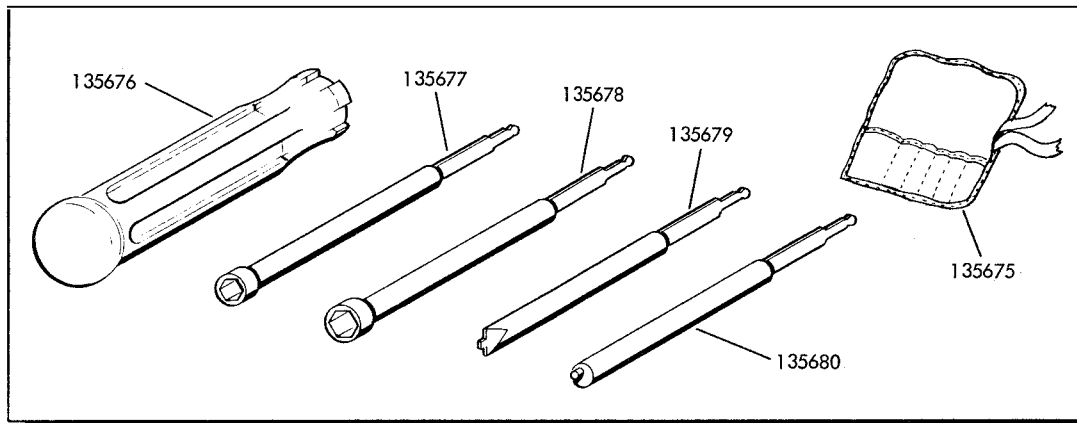
<u>Title</u>	<u>Section</u>	<u>Issue</u>
Maintenance Tools	570-005-800TC	1
Motor Unit (LMU) - Parts	570-220-800TC	2
28 Typing Unit (LP) - Parts	573-115-800TC	2
28 Send-Receive Keyboard (LK) and 28 Receive-Only Base (LB) - Parts	573-116-800TC	2
28 Electrical Service Unit (LESU) for Keyboard Send-Receive and Receive- Only Sets - Parts	573-133-800TC	1
28 Console and Table Model Cabinets (LAC) and 28 Table (LT) - Parts	573-134-800TC	1
28 Skintight Cover (LPC) - Parts	573-134-801TC	1
28 Apparatus Cabinet (LBAC) for Multiple Mounted Page Printers - Parts	573-136-803TC	2



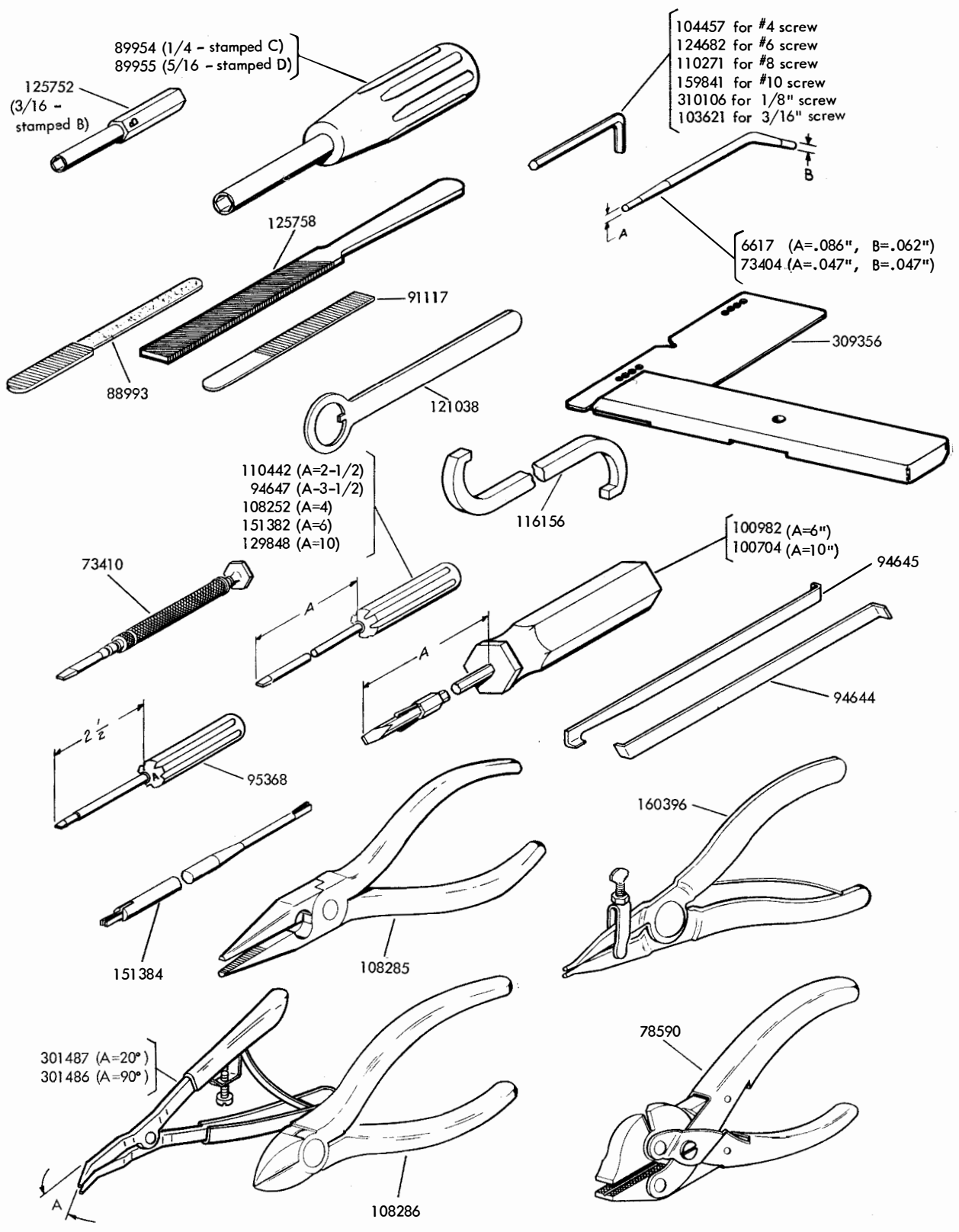
MAINTENANCE TOOLS

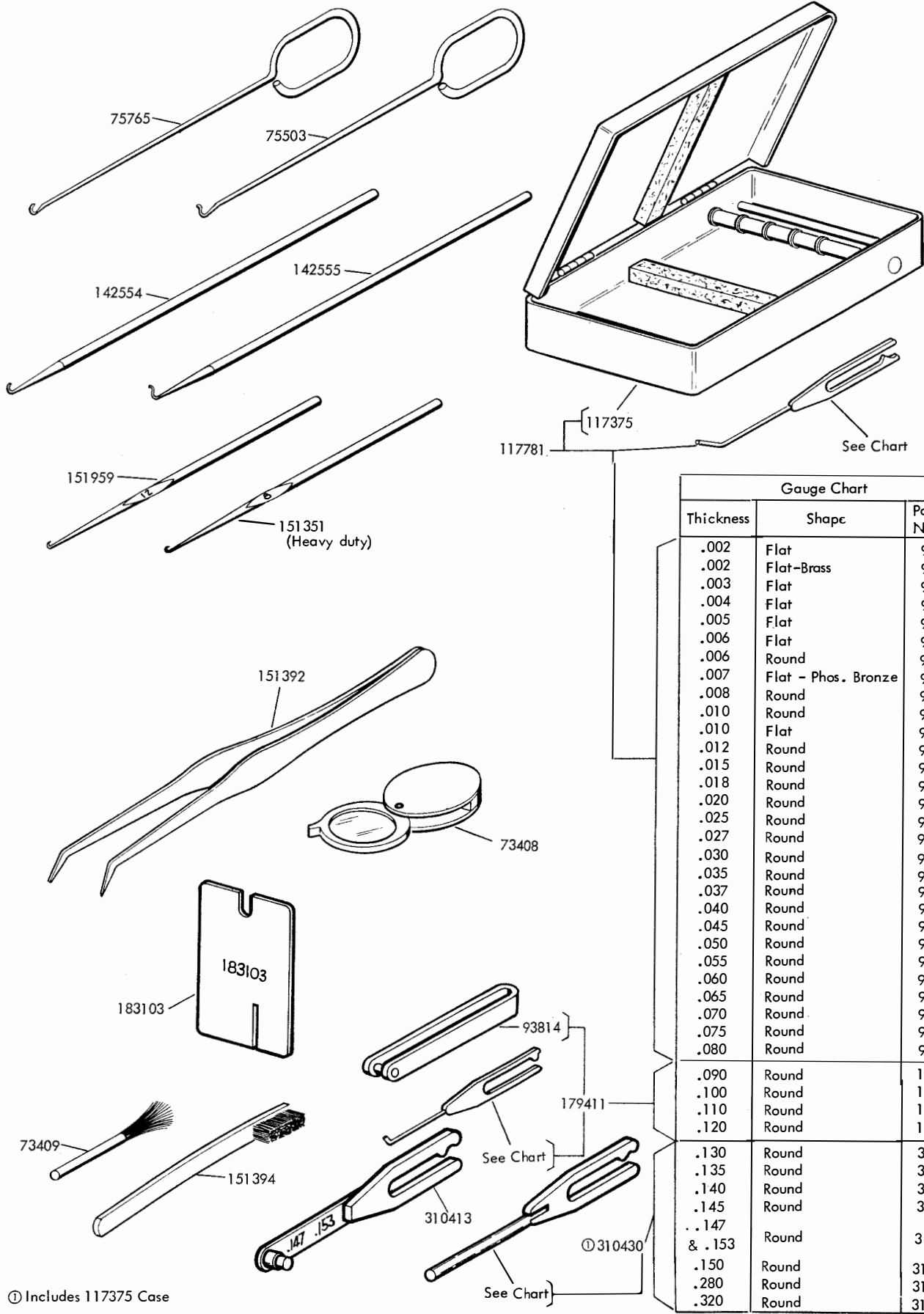


113756



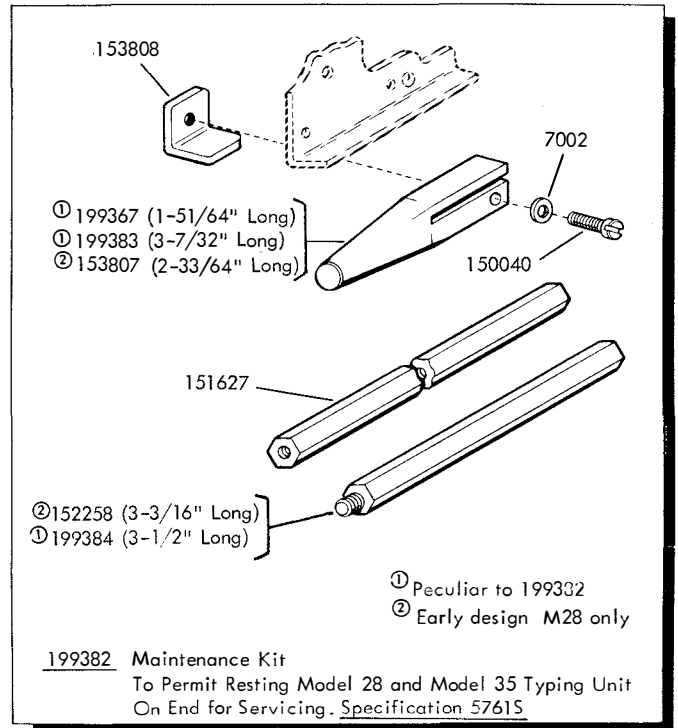
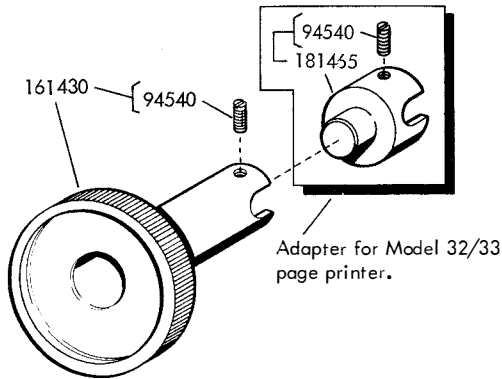
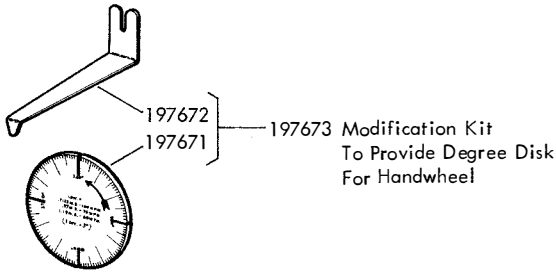
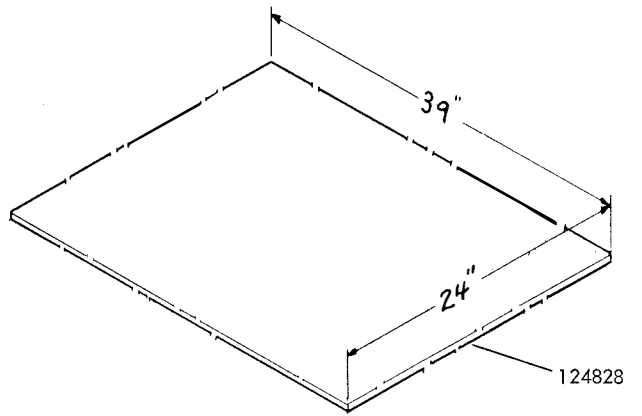
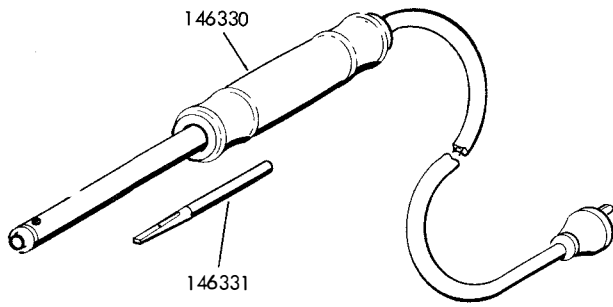
113777



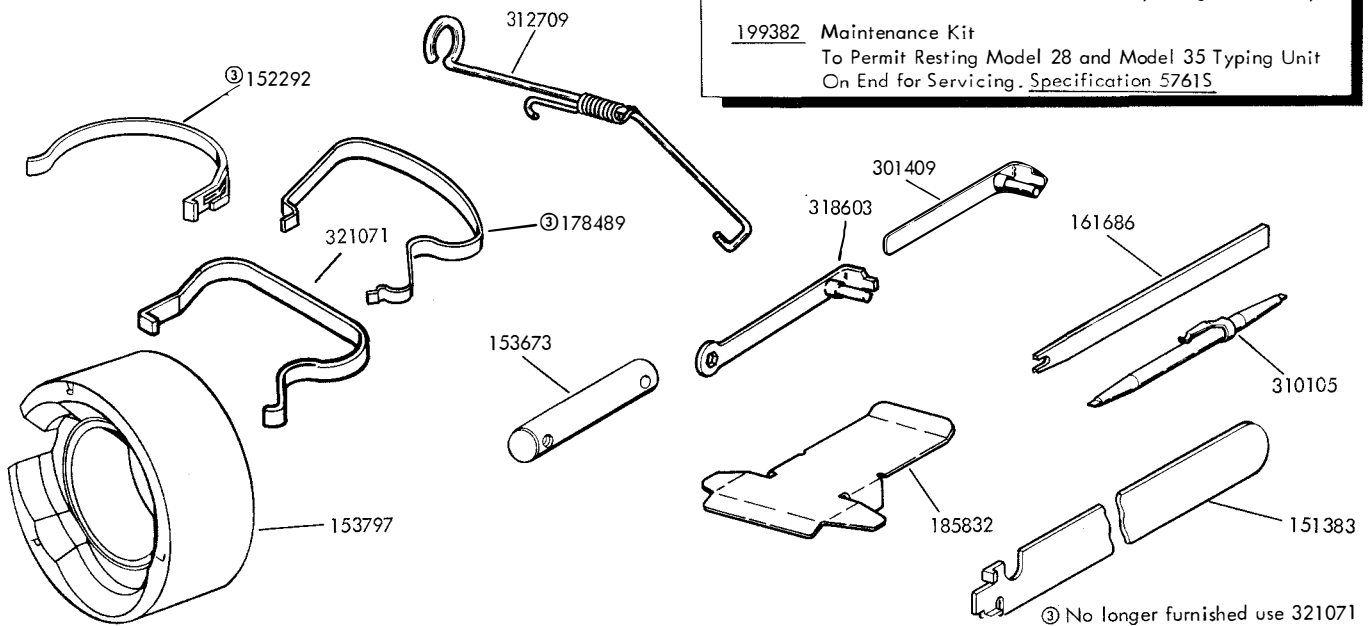


① Includes 117375 Case

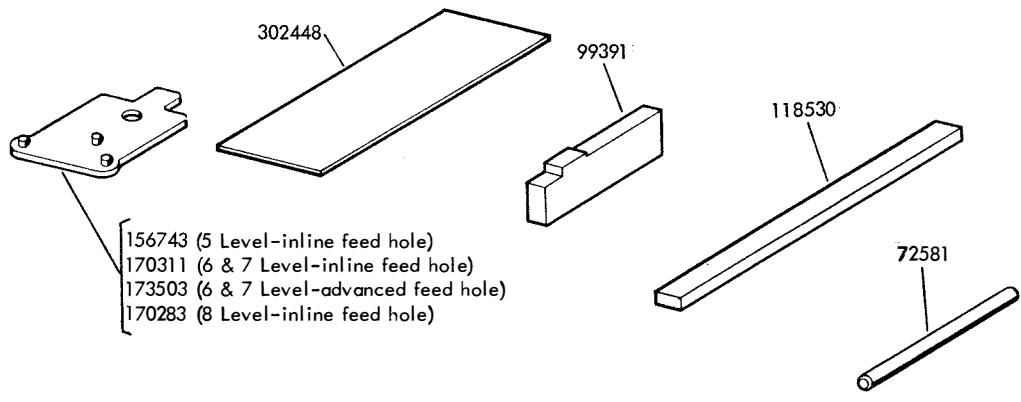
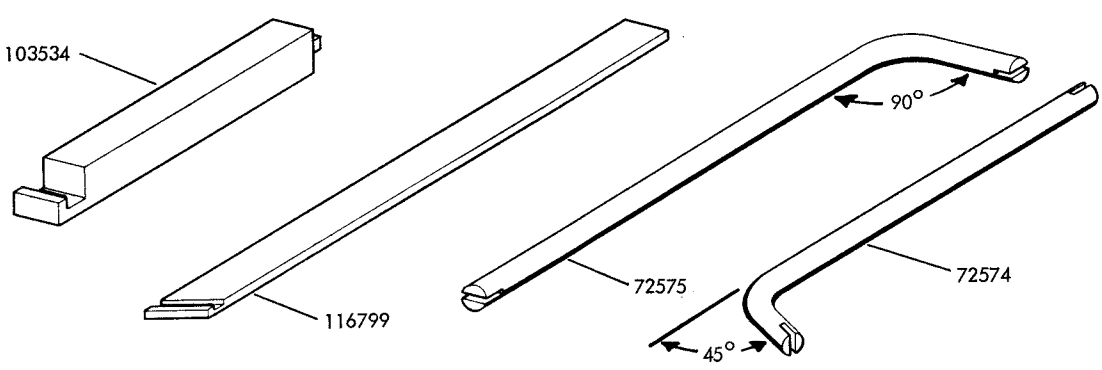
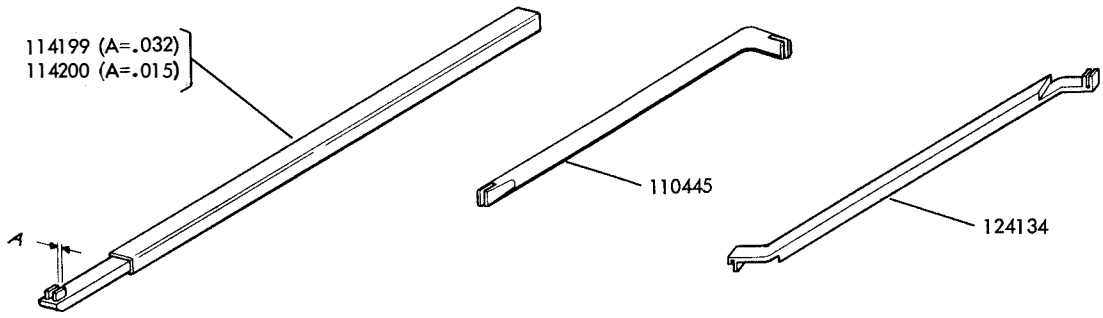
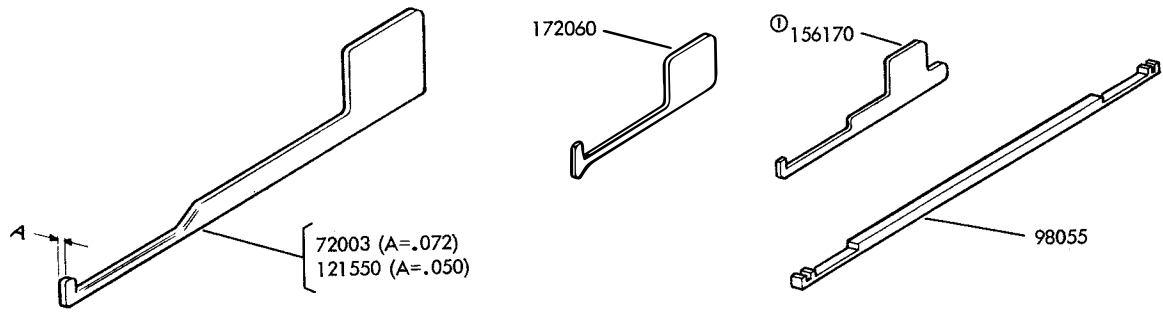
Gauge Chart		
Thickness	Shape	Part Number
.002	Flat	96356
.002	Flat-Brass	96358
.003	Flat	93833
.004	Flat	93822
.005	Flat	93823
.006	Flat	96360
.006	Round	96369
.007	Flat - Phos. Bronze	96362
.008	Round	96371
.010	Round	96373
.010	Flat	96364
.012	Round	93828
.015	Round	96375
.018	Round	93824
.020	Round	96377
.025	Round	93825
.027	Round	96352
.030	Round	93811
.035	Round	96383
.037	Round	98136
.040	Round	96385
.045	Round	96389
.050	Round	96391
.055	Round	93827
.060	Round	96393
.065	Round	96399
.070	Round	96401
.075	Round	96403
.080	Round	96405
.090	Round	179407
.100	Round	179408
.110	Round	179409
.120	Round	179410
.130	Round	310420
.135	Round	310421
.140	Round	310422
.145	Round	310423
.147	Round	310413
& .153	Round	310413
.150	Round	310424
.280	Round	310425
.320	Round	310426



- ① Peculiar to 199332
- ② Early design M28 only

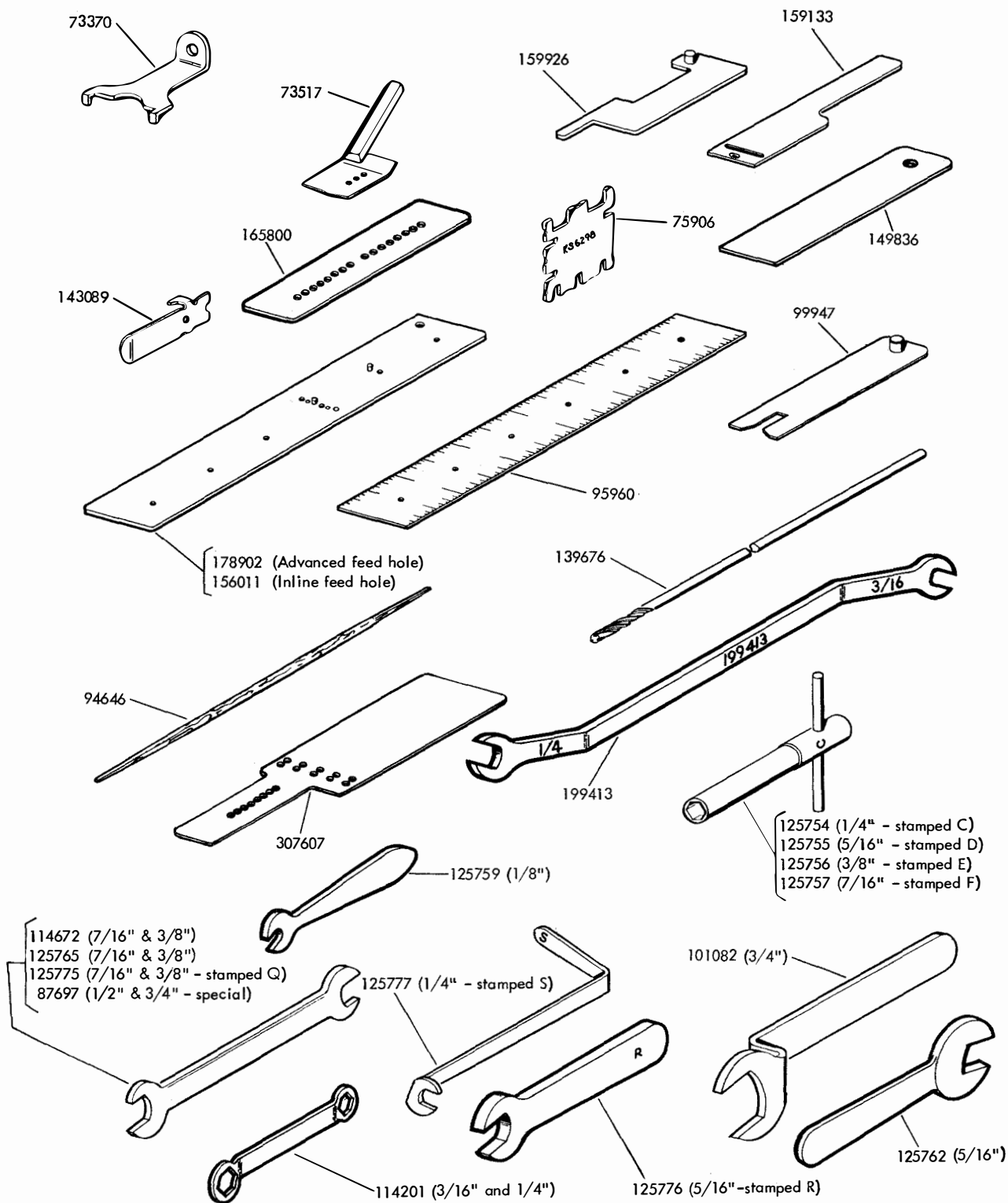


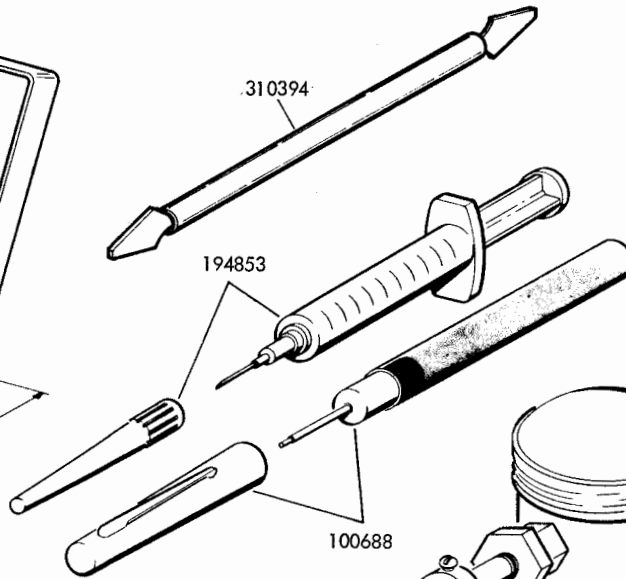
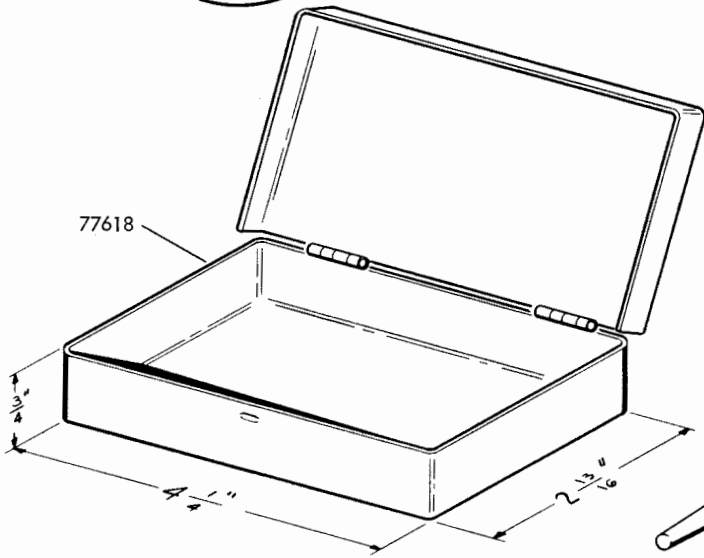
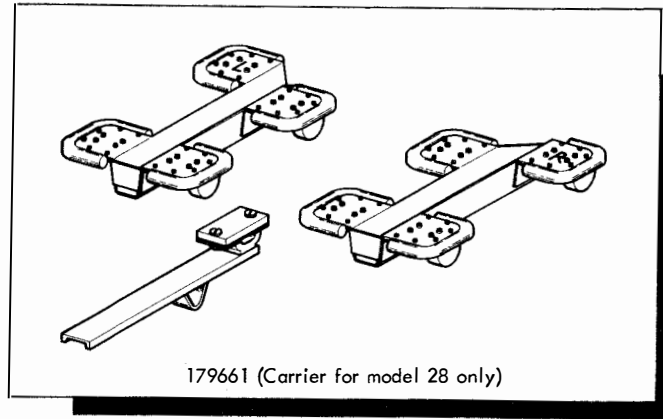
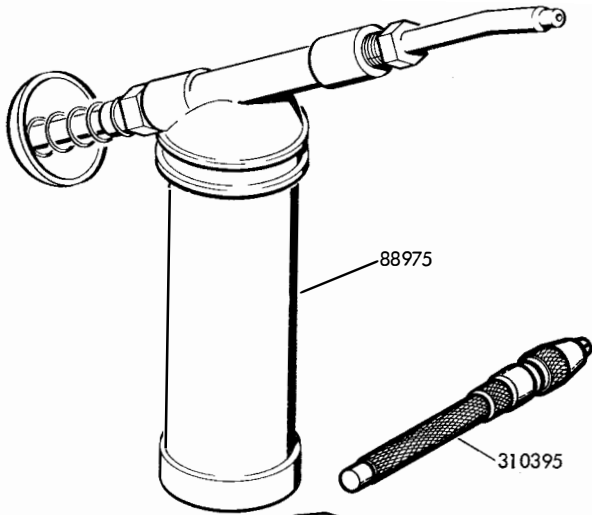
③ No longer furnished use 321071



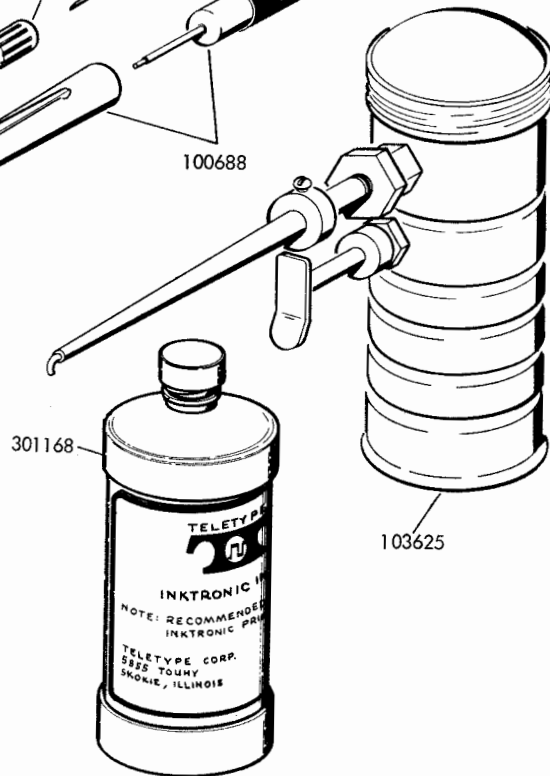
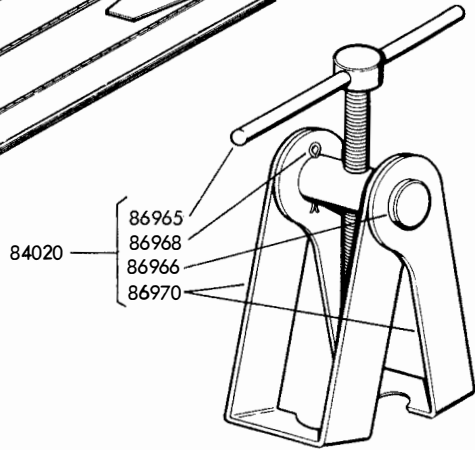
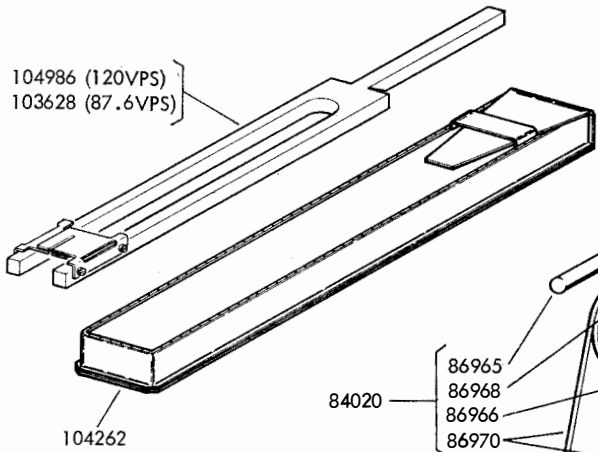
- 156743 (5 Level-inline feed hole)
- 170311 (6 & 7 Level-inline feed hole)
- 173503 (6 & 7 Level-advanced feed hole)
- 170283 (8 Level-inline feed hole)

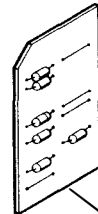
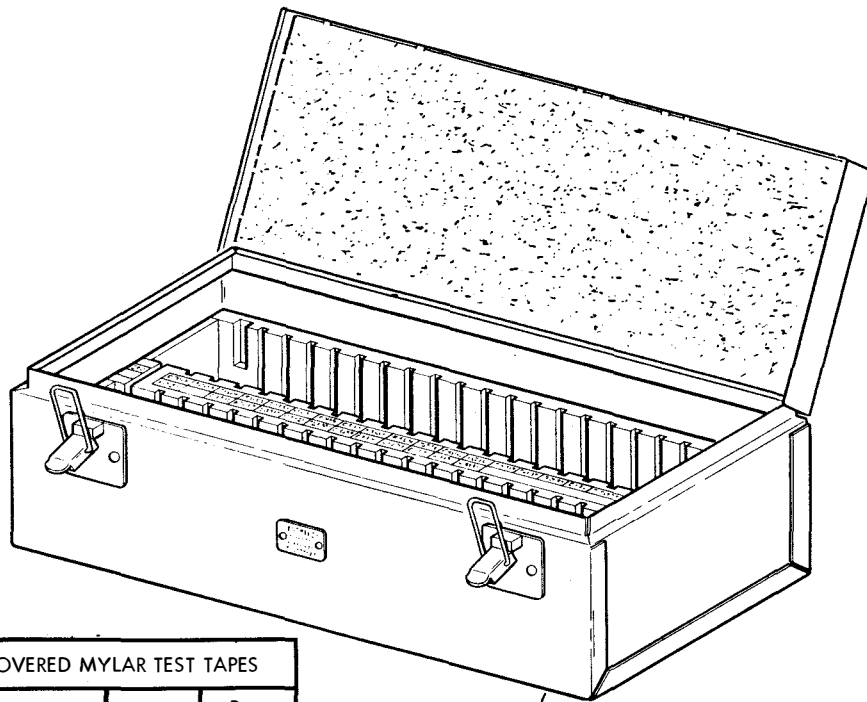
① No longer furnished use 172060





104986 (120VPS)
103628 (87.6VPS)

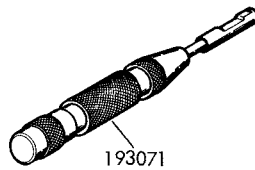




Circuit Card
See Chart

PAPER COVERED MYLAR TEST TAPES		
Description	Code	Part Number
27 Repititions of 14 Character Patterns	5 Level	146605
27 Repititions of 14 Character Pattern	8 Level	146606
27 Repititions of 14 Character Pattern	6 Level	146861
78 Repititions of 14 Character Pattern	5 Level	148101
78 Repititions of 14 Character Pattern	8 Level	148102
189 Repititions of 2 Character Pattern	8 Level	148554
"Brown Fox" Sequence	5 Level	305734
	8 Level	305735
17" of repeated letters Character Pattern	5 Level	320279

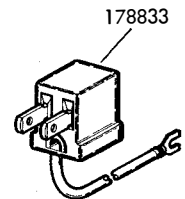
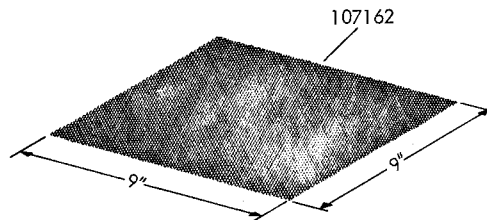
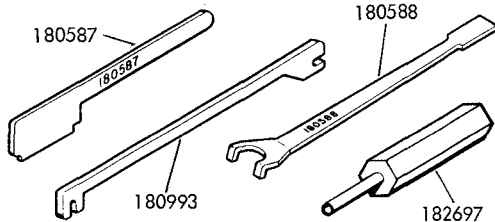
146540 { 146538

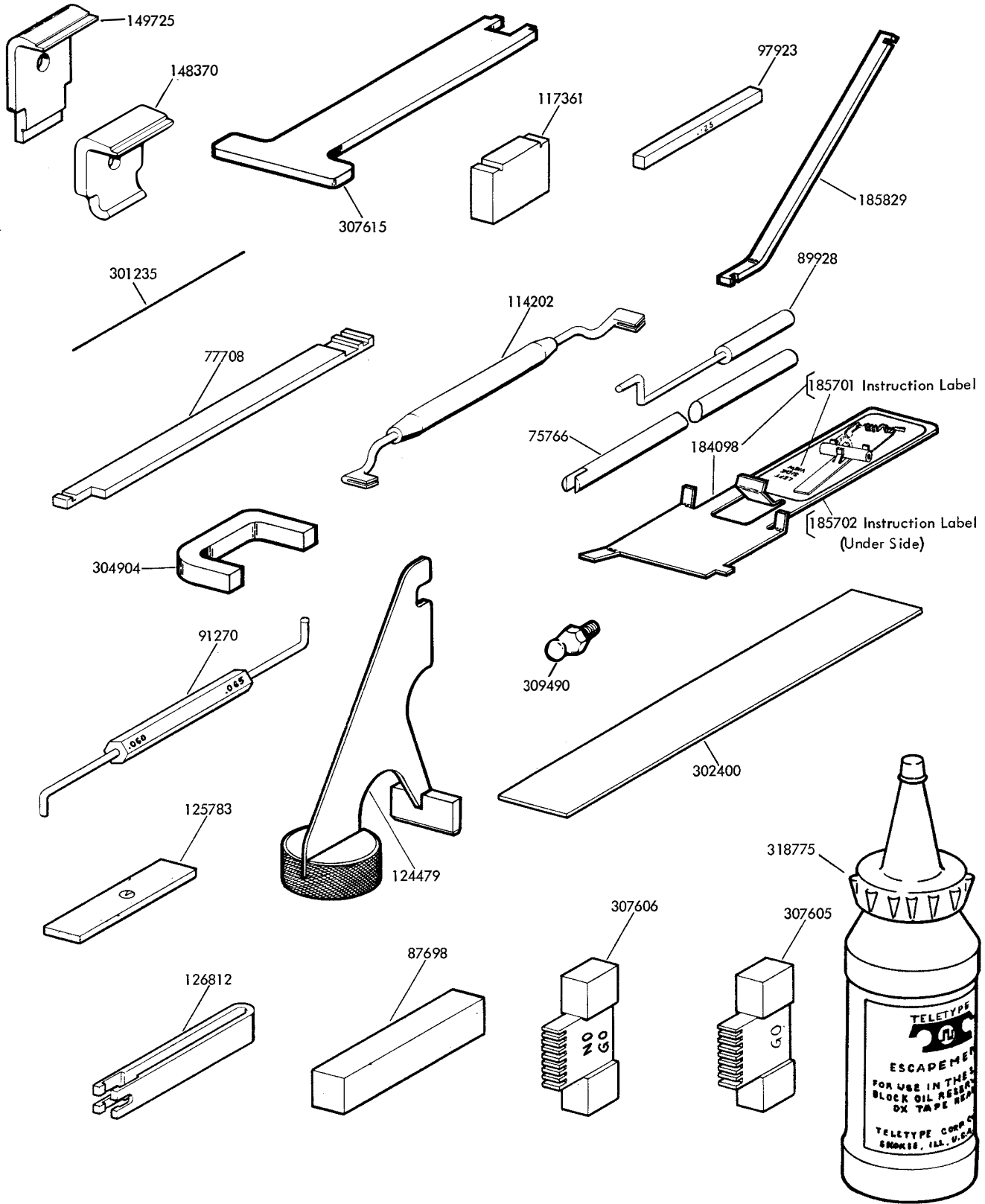


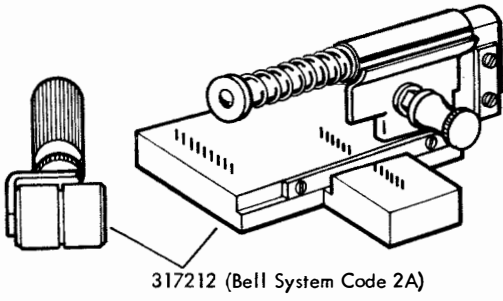
193071

146539 Spare Circuit Card Kit			
Designation	Part Number	Designation	Part Number
EC321	172321	EC374	172374
EC322	172322	EC375	172375
EC323	172323	EC385	172385
EC324	172324	EC394	172394
EC325	172325	EC395	172395
EC326	172326	EC396	172396
EC333	172333	EC401	172401
EC347	172347	EC420	172420
EC351	172351	EC431	172431
EC352	172352	EC469	172469
EC355	172355	EC473	172473
EC359	172359	EC475	172475
EC361	172361	EC490	172490
EC363	172363	EC520	146520
EC365	172365	EC521	146521

172450 Extension Card Assembly (15 Pin)
148454 Extension Card Assembly (36 Pin)







ASCII CODE
35 TYPE PRINTER TYPEBOX

75-FIGURES FIELD												7M-LETTERS FIELD											
1M	1S	1M	1S	1S	1M	1S	1M	1S	1M	1S	1M	1M	1S	1M	1S	1S	1M	1S	1M	1S	1M		
2M	2M	2S	2S	2S	2S	2M	2M	2S	2S	2M	2M	3M	3M	3M	3M	3S	3S	3S	3S	3M	3M	3M	
0	1	2	3	4	5	6	7	8	9	*	+	G	F	E	D	@	A	B	C	45	45	45	
10	11	12	13	14	15	16	17	18	19	20	21	W	V	U	T	P	Q	R	S	46	46	46	
22	23	24	25	26	27	28	29	30	31	32	33	34	34	34	34	37	37	37	37	47	47	47	
34	35	36	37	38	39	40	41	42	43	44	45	46	46	46	46	49	49	49	49	48	48	48	
46	47	48	49	50	51	52	53	54	55	56	57	58	58	58	58	51	51	51	51	54	54	54	
58	59	60	61	62	63	64	65	66	67	68	69	70	70	70	70	55	55	55	55	57	57	57	
70	71	72	73	74	75	76	77	78	79	80	81	82	82	82	82	59	59	59	59	60	60	60	
82	83	84	85	86	87	88	89	90	91	92	93	94	94	94	94	61	61	61	61	63	63	63	
94	95	96	97	98	99	100	101	102	103	104	105	106	106	106	106	65	65	65	65	64	64	64	

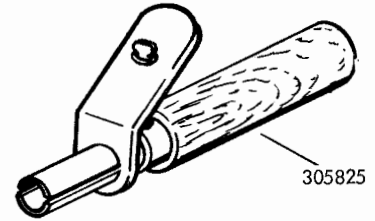
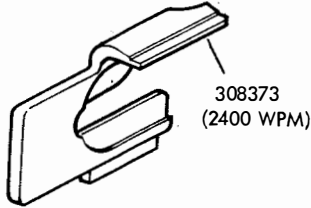
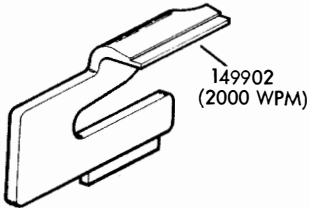
CR - 1348 WRU - 13
LF - 24 BELL - 1238
SP - 68 EOT - 38

TELETYPE

321942

SPLICING PATCHES

CODE LEVELS	TELETYPE PART NO.	COLOR CODE	FEED HOLES	PATCH WIDTH
5	317325	BLUE	IN LINE	11/16
6	317326	RED	ADVANCED	7/8
7	317327	LAVENDER	IN LINE	7/8
8	317328	GREEN	IN LINE	1"



TOUCH UP PAINT - 1 PINT								
Air Dry Brush Enamel						Air Dry Brush Lacquer		
Smooth Finish			Wrinkle Finish			Smooth Vinyl		
Color	Teletype Code	Part Number	Color	Teletype Code	Part Number	Color	Teletype Code	Part Number
Black High Gloss	BA	143431	Black	AA	120820	Light Olive Gray	HF	304364
Black Semi-Gloss	BB	143432	Gray Green	AB	120821			
Light Gray (Coast Guard)	BH	143433	Light Brown	AC	120822			
Light Gray (Navy)	BU	143435	Dark Brown	AD	120823			
Light Gray	BR	143435						
Charcoal Gray	BZ	143436						
Navy Ocean Gray	ED	143437						
Gray Green	BK	143434						

LUBRICANTS							
Grease				Oil			
Part Number	Quantity	Brand Name	Bell System Code	Application	Quantity	Part Number	Bell System Code
88973	1 lb.		KS 7471	General	1 Qt.	88970	KS 7470
97116	4 oz.				1 Gal.	88971	
108805	2 oz.	Lubriplate 105					
143484	1 lb.	Mobil #2					
145867	4 oz.	Mobil #2					
195298	1 lb.	Beacon #325					
301313	1-3/4 oz.	Aero Lubriplate					

CLEANING CONCENTRATE	
Quantity	Part Number
1 Gal. Can	321052
5 Gal. Can	321078

ADHESIVE		
Quantity	Application	Part Number
5 Oz.	Felt Pads	143285
1 Pint	Rubber Pads And Insulators	163584
1 Pint	Air Filter	175379

GASKET MATERIAL	
Description	Part Number
Self-Adhesive Polyurethane 50 Ft. Roll	305713

SHOP TOWELS	
Description	Part Number
Masslinn 12" x 17" Open Size Packed Folded (8-1/2" x 6") in 100 per Cardboard Box Dispenser	310397

TOOL KITS

113778 Universal Tool Kit contains the following:

Part Number	Description	Page Number	Part Number	Description	Page Number
6617	Wrench, Tommy	3	110443	Scale, 8 oz. Spring	2
72003	Bender, Contact Spring	6	110444	Scale, 32 oz. Spring	2
72574	Tool, Holding	6	113756	Wrench Set	2
72575	Tool, Finger Bending	6	113777	Tool Kit	2
72581	Pin, Gauge	6	116156	Wrench, Spanner	3
73370	Gauge, Locating	7	117781	Gauge Set, Feeler	4
73404	Wrench, Tommy	3	124134	Bender, Contact Spring	6
73408	Magnifier	4	124682	Wrench, Hex Key	3
75503	Hook, Push Spring	4	125752	Wrench, 3/16" Socket	3
75765	Hook, Pull Spring	4	129848	Screwdriver	3
77618	Box, Tool	8	135059	Scale, 15 lb. Spring	2
82711	Scale, 64 oz. Spring	2	142554	Hook, Pull Spring	4
87698	Stone, Carborundum	10	142555	Hook, Push Spring	4
88993	Burnisher, Contact	3	151351	Hook, Pull Spring	4
91117	File, Contact	3	151384	Holder, Screw	3
94644	Screwdriver, 30° Offset	3	151392	Tweezers	4
94645	Screwdriver, 90° Offset	3	151959	Hook, Pull Spring	4
95368	Screwdriver	3	152223	Scale, 70 gram Spring	2
95960	Gauge, Tape	7	321071	Clip, Armature	5
99947	Tool, Punch Block Cleaning	7	159841	Wrench, Hex Key	3
104457	Wrench, Hex Key	3	161686	Tool, Tine	5
110271	Wrench, Hex Key	3	179411	Gauge Set, Feeler	4

TOOL KITS (Continued)

146642 Special Tool Kit (To Supplement The 113778 Tool Kit) contains the following:

Part Number	Description	Page Number	Part Number	Description	Page Number
110445	Bender, Contact Spring	6	145867	Grease, 4 oz. Tube	12
143089	Clip, Armature	7	172060	Bender, Contact Spring	6

151940 Special Tool Kit (Model 28 Page Printer Set) contains the following:

Part Number	Description	Page Number	Part Number	Description	Page Number
73408	Magnifier	4	151392	Tweezers	4
100982	Screwdriver w/Clip	3	151394	Brush, Type Cleaning	4
151351	Hook, Pull Spring	4	151959	Hook, Pull Spring	4
151382	Screwdriver	3	152835	Wrench, 5/16" & 3/8" Cpen End	2
151383	Tool, Keylever Remover	5	152837	Wrench, 3/16" & 1/4" Cpen End	2
151384	Holder, Screw	3	161430	Handwheel	5

159114 Tool Kit (Model 28 Equipment) contains the following:

Part Number	Description	Page Number	Part Number	Description	Page Number
104457	Wrench, Hex Key	3	159841	Wrench, Hex Key	3
129537	Wrench, 9/16" & 3/4" Cpen End	2	159926	Gauge w/Pin, Punch Bail Arm	7
156011	Gauge, Tape	7	160396	Pliers, Retaining Ring	3
156743	Gauge, Tape Lid	6	172060	Bender, Contact Spring	6
159133	Gauge	7			

171312 Tool Kit (High Speed Tape Punch and Tape Reader) contains the following:

Part Number	Description	Page Number	Part Number	Description	Page Number
82711	Scale, 64 oz. Spring	2	110443	Scale, 8 oz. Spring	2
88970	Oil, 1 qt.	12	110444	Scale, 32 oz. Spring	2
88993	Burnisher, Contact	3	110445	Bender, Contact Spring	6
89954	Wrench, 1/4" Socket	3	113756	Wrench Set	2
89955	Wrench, 5/16" Socket	3	117781	Gauge Set., Feeler	4
94644	Screwdriver, 30° Offset	3	129534	Wrench, 3/16" & 1/4" Opnd End	2
94645	Screwdriver, 90° Offset	3	142554	Hook, Pull Spring	4
94646	Stick, Orangewood	7	142555	Hook, Push Spring	4
94647	Screwdriver, 3-1/2" Blade	3	143089	Clip, Armature	7
95960	Gauge, Tape	7	143484	Grease, 1 lb.	12
99947	Tool, Punch Block Cleaning	7	151384	Holder, Screw	3
100704	Screwdriver w/Clip	3	151392	Tweezers	4
103625	Can, Oil	8	152223	Scale, 70 gram Spring	2
104457	Wrench, Hex Key	3	159841	Wrench, Hex Key	3
110442	Screwdriver	3	172060	Bender, Contact Spring	6

185830 Tool Kit (Model 32 and 33 Equipment) contains the following:

Part Number	Description	Page Number	Part Number	Description	Page Number
104457	Wrench, Hex Key	3	180588	Tool, Typewheel Adjusting	9
110445	Bender, Contact Spring	6	180993	Bender, Contact Spring	9
124682	Wrench, Hex Key	3	181465	Adapter, Handwheel	5
125752	Wrench, 3/16" Socket	3	182697	Extractor, Terminal	9
156011	Gauge, Tape	7	183103	Gauge, Tape Reader	4
159841	Wrench, Hex Key	3	184098	Tool, Selector Cam Removal	10
160396	Pliers, Retaining Ring	3	185829	Bender, Contact Spring	10
180587	Tool, Carriage Adjusting	9	199413	Wrench, 3/16" & 1/4" Offset	7

TOOL KITS (Continued)

307523 Tool Kit (High Speed Send/Receive Set) contains the following:

Part Number	Description	Page Number	Part Number	Description	Page Number
95960	Gauge, Tape	7	301235	Probe, Nozzle	10
100982	Screwdriver w/Clip	3	301313	Grease, 1-3/4 oz	12
103625	Can, Oil	8	301409	Tool, Magnet Adjusting	5
110443	Scale, 8 oz Spring	2	301486	Pliers, Gripping	3
124682	Wrench, Hex Key	3	301487	Pliers, Gripping	3
129534	Wrench, 3/16" & 1/4" Cpen End	2	302400	Gauge, Tape Chute	10
129536	Wrench, 7/16" & 1/2" Open End	2	302448	Gauge, Verifier	6
135676	Handle	2	307605	Gauge, (GO) Contact	10
135677	Wrench, 1/4" Socket	2	307606	Gauge, (NO - GO) Contact	10
135678	Wrench, 5/16" Socket	2	307607	Gauge, Contact Alignment	7
142555	Hook, Push Spring	4	310105	Screwdriver, Potentiometer Adjusting	5
145867	Grease, 4 oz. Tube	12	310106	Wrench, 1/8" Hex Key	3
149725	Gauge, Punch Pin Penetration	10	310394	Wiper, Nozzle	8
149836	Cleaner, Punch Block	7	310395	Vise, Pin	8
152835	Wrench, 5/16" & 3/8" Open End	2	310397	Towels, Shop	12
301168	Ink, 12 oz Special	8			

315783 Tool Kit (Self-Contained DRPE Set) contains the following:

Part Number	Description	Page Number	Part Number	Description	Page Number
82711	Scale, 64 oz. Spring	2	110445	Bender, Contact Spring	6
88970	Oil, 1 qt	12	117781	Gauge Set	4
88993	Burnisher, Contact	3	124682	Wrench, Hex Key	3
89954	Wrench, 1/4" Socket	3	129534	Wrench, 3/16" & 1/4" Open End	2
89955	Wrench, 5/16" Socket	3	129536	Wrench, 7/16" & 1/2" Open End	2
94644	Screwdriver, 30° Offset	3	135060	Tool, Roll	2
94645	Screwdriver, 90° Offset	3	142554	Hook, Pull Spring	4
94646	Stick, Orangewood	7	145867	Grease, 4 oz. Tube	12, 13
95960	Gauge, Tape	7	151384	Holder, Screw	3
100982	Screwdriver w/Clip	3	151392	Tweezers	4
103625	Can, Oil	8	152223	Scale, 70 Gram Spring	2
104457	Wrench, Hex Key	3	152835	Wrench, 5/16" & 3/8" Open End	2
108285	Pliers, Long Nose	3	152837	Wrench, 3/16" & 1/4" Open End	2
110442	Screwdriver	3	302448	Gauge, Verifier	6
110443	Scale, 8 oz. Spring	2	308373	Gauge, Punch Pin Penetration	11
110444	Scale, 32 oz. Spring	2			

NUMERICAL INDEX

Part Number	Description and Page Number	Part Number	Description and Page Number	Part Number	Description and Page Number
6617	Wrench, Tommy 3, 12	96373	Gauge, .010" 4	125752	Wrench, 3/16" Socket 3, 12, 13
7002	Washer, Flat 5	96375	Gauge, .015" 4	125754	Wrench, 1/4" Socket 7
72003	Bender, Contact Spring 6, 12	96377	Gauge, .020" 4	125755	Wrench, 5/16" Socket 7
72574	Tool, Holding 6, 12	96383	Gauge, .035" 4	125756	Wrench, 3/8" Socket 7
72575	Tool, Finger Bending 6, 12	96385	Gauge, .040" 4	125757	Wrench, 7/16" Socket 7
72581	Pin, Gauge 6, 12	96389	Gauge, .045" 4	125758	File, 5-1/4" Contact 3
73370	Gauge, Locating 7, 12	96391	Gauge, .050" 4	125759	Wrench, 1/8" Open End 7
73404	Wrench, Tommy 3, 12	96393	Gauge, .060" 4	125762	Wrench, 5/16" Open End 7
73408	Magnifier 4, 12, 13	96399	Gauge, .065" 4	125765	Wrench, 7/16" & 3/8" Open End 7
73409	Brush, Camel Hair 4	96401	Gauge, .070" 4	125775	Wrench, 3/8" & 7/16" Open End 7
73410	Screwdriver 3	96403	Gauge, .075" 4	125776	Wrench, 5/16" Open End 7
73517	Gauge 7	96405	Gauge, .080" 4	125777	Wrench, 1/4" Open End 7
75503	Hook, Push Spring 4, 12	97116	Grease, 4 Oz 12	125783	Stone, Carborundum 10
75765	Hook, Pull Spring 4, 12	97923	Gauge, .125" 10	126812	Tool, Extracting 10
75766	Tool, Special 10	98055	Bender, Contact Spring 6	129534	Wrench, 3/16" & 1/4" Open End 2, 13, 14
75906	Tool, Local Test 7	98136	Gauge, .037" 4	129535	Wrench, 5/8" & 3/4" Open End 2
77618	Box, Tool 8, 12	98631	Case Assembly 2	129536	Wrench, 7/16" & 1/2" Open End 2, 14
77708	Bender, Contact Spring 10	99391	Gauge 6	129537	Wrench, 9/16" & 3/4" Open End 2, 13
78590	Pliers, Parallel 3	99947	Tool, Punch Block Cleaning 7, 12, 13	129848	Screwdriver 3, 12
82711	Scale, 64 Oz Spring 2, 12, 13, 14	100688	Oiler 8	135059	Scale, 15 Lb Spring 2, 12
84020	Puller, Bearing 8	100704	Screwdriver w/Clip 3, 13	135060	Roll, Tool 2, 14
86965	Handle 8	100982	Screwdriver w/Clip 3, 13, 14	135675	Roll, Tool 2
86966	Shaft, Bearing Puller 8	101082	Wrench, 3/4" Open End 7	135676	Handle 2, 14
86968	Pin, Cotter 8	103534	Tool, Bending 6	135677	Wrench, 1/4" Socket 2, 14
86970	Jaw, Bearing Puller 8	103621	Wrench, Hex Key 3	135678	Wrench, 5/16" Socket 2, 14
87697	Wrench, 1/2" & 3/4" Open End 7	103625	Can, Oil 8, 13, 14	135679	Blade, Adjusting 2
87698	Stone, Carborundum 10, 12	103628	Fork, Tuning 8	135680	Blade, Adjusting 2
88970	Oil, 1 Qt 12, 13, 14	104262	Case, Tuning Fork 8	139676	Drill 7
88971	Oil, 1 Gal 12	104457	Wrench, Hex Key 3, 12, 13, 14	142554	Hook, Pull Spring 4, 12, 13, 14
88973	Grease, 1 Lb 12	104986	Fork, Tuning 8	142555	Hook, Push Spring 4, 12, 13, 14
88975	Gun, Grease 8	107162	Cloth, Twill Jean 9	143089	Clip, Armature 7, 13
88993	Burnisher, Contact 3, 12, 13, 14	108252	Screwdriver 3	143285	Adhesive, 5 Oz Tube 12
89928	Tool, Relay Adjusting 10	108285	Pliers, Long-Nose 3, 14	143431	Paint, 1 Pint 12
89954	Wrench, 1/4" Socket 3, 13, 14	108286	Pliers, Cutting 3	143432	Paint, 1 Pint 12
89955	Wrench, 5/16" Socket 3, 13, 14	108805	Lubriplate, 2 Oz Tube 12	143433	Paint, 1 Pint 12
91117	File, Contact 3, 12	110271	Wrench, Hex Key 3, 12	143434	Paint, 1 Pint 12
91270	Gauge, .060" & .065" 10	110442	Screwdriver 3, 13, 14	143435	Paint, 1 Pint 12
93811	Gauge, .030" 4	110443	Scale, 8 Oz Spring 2, 12, 13, 14	143436	Paint, 1 Pint 12
93814	Holder, Gauge 4	110444	Scale, 32 Oz Spring 2, 12, 13, 14	143437	Paint, 1 Pint 12
93822	Gauge, .004" 4	110445	Bender, Contact Spring 6, 13, 14	143484	Grease, 1 Lb 12, 13
93823	Gauge, .005" 4	113756	Wrench Set 2, 12, 13	145867	Grease, 4 Oz Tube 12, 13, 14
93824	Gauge, .018" 4	113777	Tool Kit 2, 12	146330	Iron, Soldering 5
93825	Gauge, .025" 4	113778	Tool Kit 12	146331	Tip, Soldering Iron 5
93827	Gauge, .055" 4	114199	Bender, Contact Spring 6	146520	Card, EC520 Circuit 9
93828	Gauge, .012" 4	114200	Bender, Contact Spring 6	146521	Card, EC521 Circuit 9
93833	Gauge, .003" 4	114201	Wrench, Closed Offset 7	146538	Case, Circuit Card Carrying 9
94540	Screw, 10-24 Set 5	114202	Bender, Contact Spring 10	146539	Kit, Circuit Card 9
94644	Screwdriver, 30 Deg. Offset 3, 12, 13, 14	114672	Wrench, 3/8" & 7/16" Open End 7	146540	Kit w/Case, Circuit Card 9
94645	Screwdriver, 90 Deg. Offset 3, 12, 13, 14	116156	Wrench, Spanner 3, 12	146605	Tape, 5 Level Test 9
94646	Stick, Orangewood 7, 13, 14	116799	Tool, Bending 6	146606	Tape, 8 Level Test 9
95368	Screwdriver, 3-1/2" Blade 3, 13	117361	Gauge, Contact Adjusting 10	146642	Tool Kit 13
95960	Gauge, Tape 7, 12, 13, 14	117375	Case, Gauge 4	146861	Tape, 6 Level Test 9
96352	Gauge, .027" 4	117781	Gauge Set, Feeler 4, 12, 13, 14	148101	Tape, 5 Level Test 9
96356	Gauge, .002" 4	118530	Gauge 6	148102	Tape, 8 Level Test 9
96358	Gauge, .002" 4	120820	Paint, 1 Pint 12	148370	Gauge, Punch Pin Penetration 10
96360	Gauge, .006" 4	120821	Paint, 1 Pint 12	148454	Card Assembly, Extension 9
96362	Gauge, .007" 4	120822	Paint, 1 Pint 12	148554	Tape, 8 Level Test 9
96364	Gauge, .010" 4	120823	Paint, 1 Pint 12	149725	Gauge, Punch Pin Penetration 10, 14
96369	Gauge, .006" 4	121038	Wrench, Closed Spanner 3		
96371	Gauge, .008" 4	121550	Bender, Contact Spring 6		
		124134	Bender, Contact Spring 6, 12		
		124479	Gauge, Locating 10		
		124682	Wrench, Hex Key 3, 12, 13, 14		
		124828	Pad 5		

NUMERICAL INDEX (Continued)

Part Number	Description and Page Number	Part Number	Description and Page Number	Part Number	Description and Page Number
149836	Cleaner, Punch Block 7, 14	172361	Card, EC361 Circuit 9	301235	Probe, Nozzle 10, 14
149902	Gauge, Punch Pin Penetration 11	172363	Card, EC363 Circuit 9	301313	Grease, 1-3/4 Oz 12, 14
150040	Screw, 6-40 x 5/8 Fil 5	172365	Card, EC365 Circuit 9	301409	Tool, Magnet Adjusting 5, 14
151351	Hook, Pull Spring 4, 12, 13	172374	Card, EC374 Circuit 9	301486	Pliers, Gripping 3, 14
151382	Screwdriver 3, 13	172375	Card, EC375 Circuit 9	301487	Pliers, Gripping 3, 14
151383	Tool, Keylever Remover 5, 13	172385	Card, EC385 Circuit 9	302400	Gauge, Tape Chute 10, 14
151384	Holder, Screw 3, 12, 13, 14	172394	Card, EC394 Circuit 9	302448	Gauge, Verifier 6, 14
151392	Tweezers 4, 12, 13, 14	172395	Card, EC395 Circuit 9	304364	Paint, 1 Pint 12
151394	Brush, Type Cleaning 4, 13	172396	Card, EC396 Circuit 9	304904	Staple, Carrier 10
151627	Rod 5	172401	Card, EC401 Circuit 9	305713	Strip, 50 Ft Roll Foam 12
151940	Tool Set 13	172420	Card, EC420 Circuit 9	305734	Tape, 5 Level Test 9
151959	Hook, Pull Spring 4, 12, 13	172431	Card, EC431 Circuit 9	305735	Tape, 8 Level Test 9
152223	Scale, 70 Gram Spring 2, 12, 13, 14	172450	Card Assembly, Extension 9	305825	Tool, Lamp Extractor 11
152258	Post, 3-3/16" Lg 5	172469	Card, EC469 Circuit 9	307523	Tool Kit 14
152292	Clip, Armature 5	172473	Card, EC473 Circuit 9	307605	Gauge, Go Contact 10, 14
152835	Wrench, 5/16" & 3/8" Open End 2, 13, 14	172475	Card, EC475 Circuit 9	307606	Gauge, No Go Contact 10, 14
152837	Wrench, 3/16" & 1/4" Open End 2, 13, 14	172490	Card, EC490 Circuit 9	307607	Gauge, Contact Alignment 7, 14
153673	Shaft 5	173503	Gauge, Tape Lid 6	307615	Eccentric, Adjusting Tool 10
153797	Depressor, Sprocket Pin 5	175379	Adhesive, 1 Pint 12	308373	Gauge, Punch Pin Penetration 11, 14
153807	Post, 2-33/64" Lg 5	178489	Clip, Armature 5	309356	Gauge, Feedwheel 3
153808	Clamp 5	178833	Connector, Adapter 3 Pt Plug 9	309490	Stud 10
154393	Wrench, 5/32" Open End 2	178902	Gauge, Tape 7	310105	Screwdriver, Potentiometer Adjusting 5, 14
156011	Gauge, Tape 7, 13	179407	Gauge, .090" 4	310106	Wrench, 1/8" Hex Key 3, 14
156170	Bender, Contact Spring 6	179408	Gauge, .100" 4	310394	Wiper, Nozzle 8, 14
156743	Gauge, Tape Lid 6, 13	179409	Gauge, .110" 4	310395	Vise, Pin 8, 14
159114	Tool Kit 13	179410	Gauge, .120" 4	310397	Towels, Shop 12, 14
159133	Gauge 7, 13	179411	Gauge Set, Feeler 4, 12	310413	Gauge, .147" & .153" 4
159841	Wrench, Hex Key 3, 12, 13	179661	Carrier Set 8	310420	Gauge, .130" 4
159926	Gauge w/Pin, Punch Bail Arm 7, 13	180587	Tool, Carriage Adjusting 9, 13	310421	Gauge, .135" 4
160396	Pliers, Retaining Ring 3, 13	180588	Tool, Typewheel Adjusting 9, 13	310422	Gauge, .140" 4
161430	Handwheel 5, 13	180993	Bender, Contact Spring 9, 13	310423	Gauge, .145" 4
161686	Tool, Tine 5, 12	181465	Adapter, Handwheel 5, 13	310424	Gauge, .150" 4
163584	Adhesive, 1 Pint 12	182697	Extractor, Terminal 9, 13	310425	Gauge, .280" 4
165800	Gauge, Tape 7	183103	Gauge, Tape Reader 4, 13	310426	Gauge, .320" 4
170283	Gauge, Tape Lid 6	184098	Tool, Selector Cam Removal 10, 13	310430	Gauge Set, Feeler 4
170311	Gauge, Tape Lid 6	185701	Label, Instruction 10	312709	Clip, Armature 5
171312	Tool Kit 13	185702	Label, Instruction 10	315783	Tool Kit 14
172060	Bender, Contact Spring 6, 13	185829	Bender, Contact Spring 10, 13	317212	Splicer w/Roller, Tape 11
172321	Card, EC321 Circuit 9	185830	Tool Kit 13	317325	Patch, Blue Splicing 11
172322	Card, EC322 Circuit 9	185832	Clip, Armature 5	317326	Patch, Red Splicing 11
172323	Card, EC323 Circuit 9	193071	Tool, Terminal Insertion 9	317327	Patch, Lavender Splicing 11
172324	Card, EC324 Circuit 9	194853	Injector, Oil 8	317328	Patch, Green Splicing 11
172325	Card, EC325 Circuit 9	195298	Grease, 1 Lb 12	318603	Tool, Adjusting 5
172326	Card, EC326 Circuit 9	197671	Disk, Indicator 5	318775	Oil, 4 Oz Bottle 10
172333	Card, EC333 Circuit 9	197672	Pointer 5	320279	Tape, 5 Level Test 9
172347	Card, EC347 Circuit 9	197673	Modification Kit 5	321052	Concentrate, 1 Gal Cleaning 12
172351	Card, EC351 Circuit 9	199367	Post, 1-51/64" Lg 5	321071	Clip, Armature 5, 12
172352	Card, EC352 Circuit 9	199382	Maintenance Kit 5	321078	Concentrate, 5 Gal Cleaning 12
172355	Card, EC355 Circuit 9	199383	Post, 3-7/32" Lg 5	321942	Chart, Code 11
172359	Card, EC359 Circuit 9	199384	Post, 3-1/2" Lg 5		
		199413	Wrench, 3/16" & 1/4" Offset Open End 7, 13		
		301168	Ink, 12 Oz Special 8, 14		

MOTOR UNIT (MU, LMU AND YMU)
PARTS

FIGURE	CONTENTS	PAGE
1	Motor Unit Application Chart	2
2	Synchronous Motor Cross-Reference Chart	3
3	Synchronous Motor Assemblies (Standard or Heavy Duty)	4
4	Relay and Capacitor Mounting: (Synchronous)	5
5	Relay and Capacitor Mounting (Synchronous)	6
6	Relay and Capacitor Mounting	7
7	Relay and Capacitor Mounting (Synchronous)	8
8	Relay and Capacitor Mounting (Synchronous)	9
9	Synchronous Motor Assemblies (Miniature)	10
10	Relay and Capacitor Mounting (Synchronous)	11
11	Relay, Capacitor Mounting and Bracket (Synchronous)	12
12	Series Motor Cross-Reference Chart	13
13	Series Motor Assemblies	14
14	Brush Assemblies	15
15	150845 Governor Assembly	16
16	154628 Governor Assembly	17
17	Series Motor Mounting Parts	18
18	Series Motor Mounting Parts with RF Suppression	19
19	Series Motor Mounting Parts with RF Suppression	20
20	Series Motor Mounting Parts	21
21	Series Motor Mounting Parts with RF Suppression	22
22	Series Motor Mounting Parts with RF Suppression	23
23	Synchronous Motor Mounting With Centrifugal Switch Assembly	24
24	Synchronous Motor Unit	25
25	174546 Modification Kit to Provide Motor Running Contacts	26
26	174551 (less cable) 175198 (with cable) Modification Kits to Provide Motor Running Contacts	26
	Modification Kits	27
	Modification Kits (Continued)	28
	Numerical Index	29

MOTOR UNIT APPLICATION CHART

Units Covered		Operating Characteristics	General Usage	ASR Set	RT Set	High Speed Punch	High Speed Reader	Miniature Trans-Dist.	Miniature Reperf.	Miniature Rec. Selector	Compact Page Printer	Tape Printer (Ticker)	Multiple Mounted Units	Variable Speed	Stack Mounted	Wall Mounted	Special
Teletype Code	Bell System Code																
LMU3 LMU4 LMU6 Ⓢ LMU10	28A 28B	AC Synchronous, 1/20 HP, 115V/60 cycle/3600RPM Series, 1/20 HP, 115V/60 cycle/3600 RPM, RF Sup. Series, 1/20 HP, 115V/60 cycle/3600 RPM Series, 1/20 HP, 115V/60 cycle/3600 RPM, RF Sup.	X X X										X				
LMU11 LMU12 LMU13 LMU14	28C 28D	AC Synchronous, 1/12 HP, 115V/60 cycle/3600 RPM AC Synchronous, 1/12 HP, 115V/60 cycle/3600 RPM Series, 1/15 HP, 115V/60 cycle/3600 RPM Series, 1/15 HP, 115V/60 cycle/3600 RPM, RF Sup.		X	X								X				
LMU15 LMU19 LMU20 LMU21	35A 28LA	AC Synchronous, 1/20 HP, 115V/60 cycle/3600 RPM AC Synchronous, 25 MHP, 115V/60 cycle/3600 RPM AC Synchronous, 25 MHP, 115V/60 cycle/3600 RPM AC Synchronous, 1/20 HP, 115V/60 cycle/3600 RPM	X					X	X						X		
LMU23 LMU24 LMU26 LMU27		DC Series, 1/15 HP, 48V/3600 RPM AC Synchronous, 25 MHP, 115V/60 cycle/3600 RPM AC Synchronous, 25 MHP, 115V/60 cycle/3600 RPM AC Synchronous, 1/20 HP, 115V/60 cycle/3600 RPM			X				X	X	X					X	
LMU28 LMU29 LMU30 LMU31	28E	Series, 1/20 HP, 115V/60 cycle/3600 RPM DC Series, 1/15 HP, 48V/3600 RPM AC Synchronous, 1/20 HP, 115V/60 cycle/3600 RPM AC Synchronous, 25 MHP, 115V/60 cycle/3600 RPM	X		X					X					X		
LMU32 LMU33 LMU35 LMU36		Series, 1/15 HP, 115V/60 cycle/3600 RPM, RF Sup. AC Synchronous, 1/20 HP, 115V/50 cycle/3000 RPM AC Synchronous, 25 MPH, 115V/50 cycle/3000 RPM AC Synchronous, 1/20 HP, 115V/50 cycle/3000 RPM			X	X	X										
LMU37 LMU38 LMU39 LMU41		AC Synchronous, 1/20 HP, 115V/60 cycle/3600 RPM AC Synchronous, 1/20 HP, 115V/50 cycle/3000 RPM Series, 1/15 HP, 115V/60 cycle/3600 RPM, RF Sup. Series, 1/20 HP, 115V/60 cycle/3600 RPM, RF Sup.	X X	X						X				X			
LMU42 MU43 LMU45 LMU46	28F	AC Synchronous, 1/20 HP, 115V/60 cycle/3600 RPM AC Synchronous, 25 MHP, 115V/60 cycle/3600 RPM AC Synchronous, 25 MHP, 115V/60 cycle/3600 RPM AC Synchronous, 1/20 HP, 115V/60 cycle/3600 RPM				X	X				X						
Ⓢ LMU47 LMU49 LMU50 LMU51		Series, 1/20 HP, 115V/60 cycle/3600 RPM, RF Sup. AC Synchronous, 1/20 HP, 115V/60 cycle/3600 RPM AC Synchronous, 1/12 HP, 115V/50 cycle/3000 RPM AC Synchronous, 1/20 HP, 115V/50 cycle/3000 RPM	X X	X						X	X			X			
LMU52 LMU55 LMU56 YMU1		AC Synchronous, 1/20 HP, 115V/50 cycle/3000 RPM AC Synchronous, 1/20 HP, 230V/50 cycle/3000 RPM AC Synchronous, 25 MPH, 115V/60 cycle/3600 RPM AC Synchronous, 1/12 HP, 115V/60 Cycle/3600 RPM	X					X						X			X

Ⓢ Requires 173518 Mod. Kit for special variable speed application.

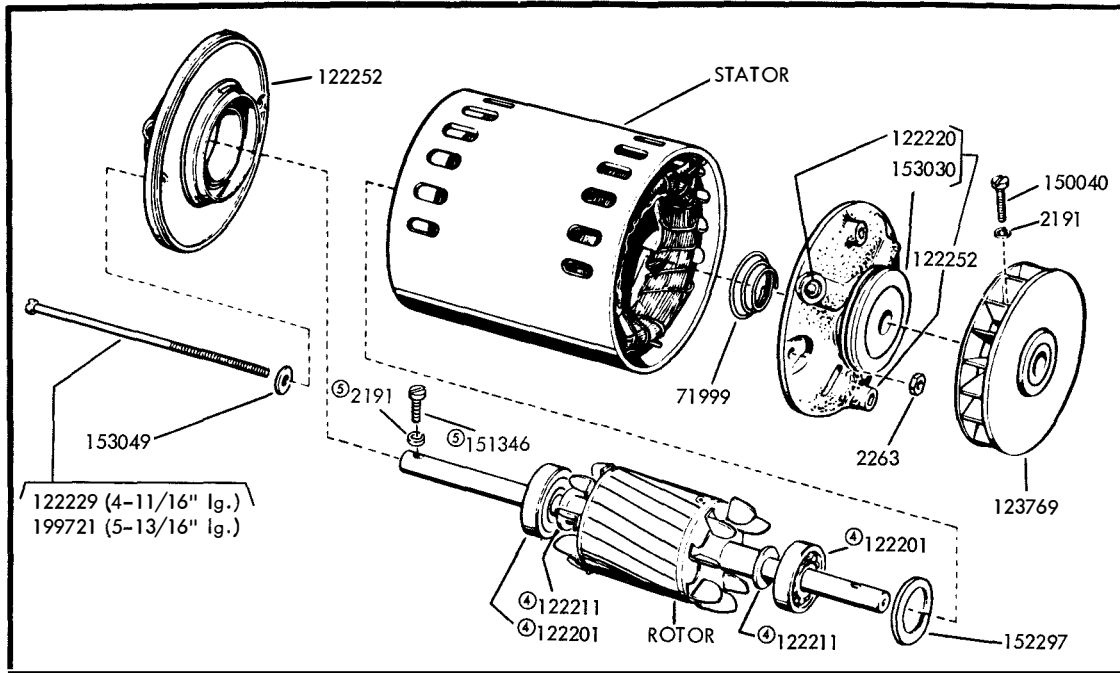
FIGURE 1. MOTOR UNIT APPLICATION CHART

SYNCHRONOUS MOTOR UNITS

Teletype Code	Motor Assembly	Motor Bracket	Mounting Plate	Thermostatic Switch	Fixed Capacitor	Spring or Clamp	Relay	Relay Insulator	Spring or Clamp	Cable Assembly	Jumper
LMU3	151795	305661	305660	122249	122245	305658	151923	305659	305658	151927	96264R (5" lg. Red)
LMU11	155595	305661	305660	160304	160299	305658	160303	305659	305658	151927	96264R (5" lg. Red)
LMU12	159739	305661	305660	160304	160299	305658	160303	305659	305658	151927	96264R (5" lg. Red)
LMU15	170764	305661	305660	122249	122245	305658	151923	305659	305658	151927	96264R (5" lg. Red)
LMU19	161984	142589		174471	162072	151922	173425	162196	151925	161099	96264R (5" lg. Red)
LMU20	161984	142589		174471	162072	151922	173425	162910	160302	162911	96264R (5" lg. Red)
LMU21	151795	164612		122249	122245	151922	151923	164603	151925	151927	96264R (5" lg. Red)
LMU24 and LMU56	310295	142589		fused	162072	151922	173425	162196	151925		176137 (9-1/4" lg. Black w/151626 Terminal) 96264R (5" lg. Red)
LMU26	161984	142589		174471	162072	151922	173425	162910	160302	162911	96264R (5" lg. Red)
LMU27		176948	176947	122249	122245	151922	151923	151924	151925		
LMU30	178500	305661	305660	122249	122245	305658	151923	305659	305658	151927	96264R (5" lg. Red)
LMU31	161984	142589		174471	162072	151922	173425	162196	151925	179016	96274R (10" lg Red)
LMU33	170764	305661	305660	①193781	122245	305658	151923	305659	305658	151927	96264R (5" lg. Red)
②LMU35	194924	171749		fused	①195172	171702	①195173	171704	171703	195178	
LMU36	178500	305661	305660	①193781	122245	305658	151923	305659	305658	151927	96264R (5" lg. Red)
LMU37	151795	194897		122249	122245	151922	151923	310341	151925	194899	96264R (5" lg. Red)
LMU38	151795	305661	305660	①193781	122245	305658	151923	305659	305658	151927	96264R (5" lg. Red)
LMU42	196830	196839		122249	122245	151922	151923	196794	151925	151927	96264R (5" lg. Red)
MU43	161984	171749		174471	162072	171702	173425	171704	171703	171810	96264R (5" lg. Red)
LMU45	161984	171749		174471	162072	171702	173425	171704	171703	193181	
LMU46	151795	305661	305660	122249	122245	305658	151923	305659	305658	193236	96264R (5" lg. Red)
LMU49	170764	172795	151920	122249	122245	151922	151923	151924	151925	151927	96264R (5" lg. Red)
③LMU50	199718	304538	151920	307281	304793	151922	304792		304537	151927	312573 (6" lg. Red w/82474 Terminal) 312574 (6" lg. Black w/82474 Terminal)
LMU51	151795	194897		①193781	122245	151922	151923	310341	151925	194899	96264R (5" lg. Red)
LMU52	151795	164612		①193781	122245	151922	151923	164603	151925	151927	96264R (5" lg. Red)
LMU55	306063	305661	305660	320269	320270	305658	320271	305659	305658	151927	96264R (5" lg. Red)
YMU 1	306567	306423		160304	160299	160300	160303	306561	151925	306320	96262R (4" lg Red)

- ① For use with motor unit operating on 50 cycle current
- ② See page 10 for parts peculiar to LMU35
- ③ See page 6 for parts peculiar to LMU50

FIGURE 2. SYNCHRONOUS MOTOR CROSS — REFERENCE CHART



SYNCHRONOUS MOTOR ASSEMBLY - STANDARD OR HEAVY DUTY

SYNCHRONOUS MOTORS - Standard or Heavy Duty				
DUTY	MOTOR ASSEMBLY	STATOR	ROTOR	MOTOR DATA
Standard	151795	122251	128874	AC Synchronous, 1/20 HP, 115V: 50/60 Cycle, 3000/3600 RPM
Heavy	155595	③160306	160305	AC Synchronous, 1/12 HP, 115V: 60 Cycle, 3600 RPM
Heavy	159739	160306	160305	AC Synchronous, 1/12 HP, 115V: 60 Cycle, 3600 RPM
Standard	①170764	122251	128874	AC Synchronous, 1/20 HP, 115V: 50/60 Cycle, 3000/3600 RPM
Standard	178500	③122251	128874	AC Synchronous, 1/20 HP, 115V: 60 Cycle, 3600 RPM
Standard	②196830	196831	128874	AC Synchronous, 1/20 HP, 115V: 60 Cycle, 3600 RPM
Heavy	199718	199720	199719	AC Synchronous, 1/12 HP, 115V: 50 Cycle, 3000 RPM
Standard	306063	320272	128874	AC Synchronous, 1/20 HP, 230V: 50/60 Cycle, 3000/3600 RPM

- ① Without fan
- ② CW rotation (all others CCW rotation)
- ③ Arranged for inverted mounting
- ④ Common to all rotors
- ⑤ Not part of motor assemblies

FIGURE 3. SYNCHRONOUS MOTOR ASSEMBLIES (STANDARD OR HEAVY DUTY)

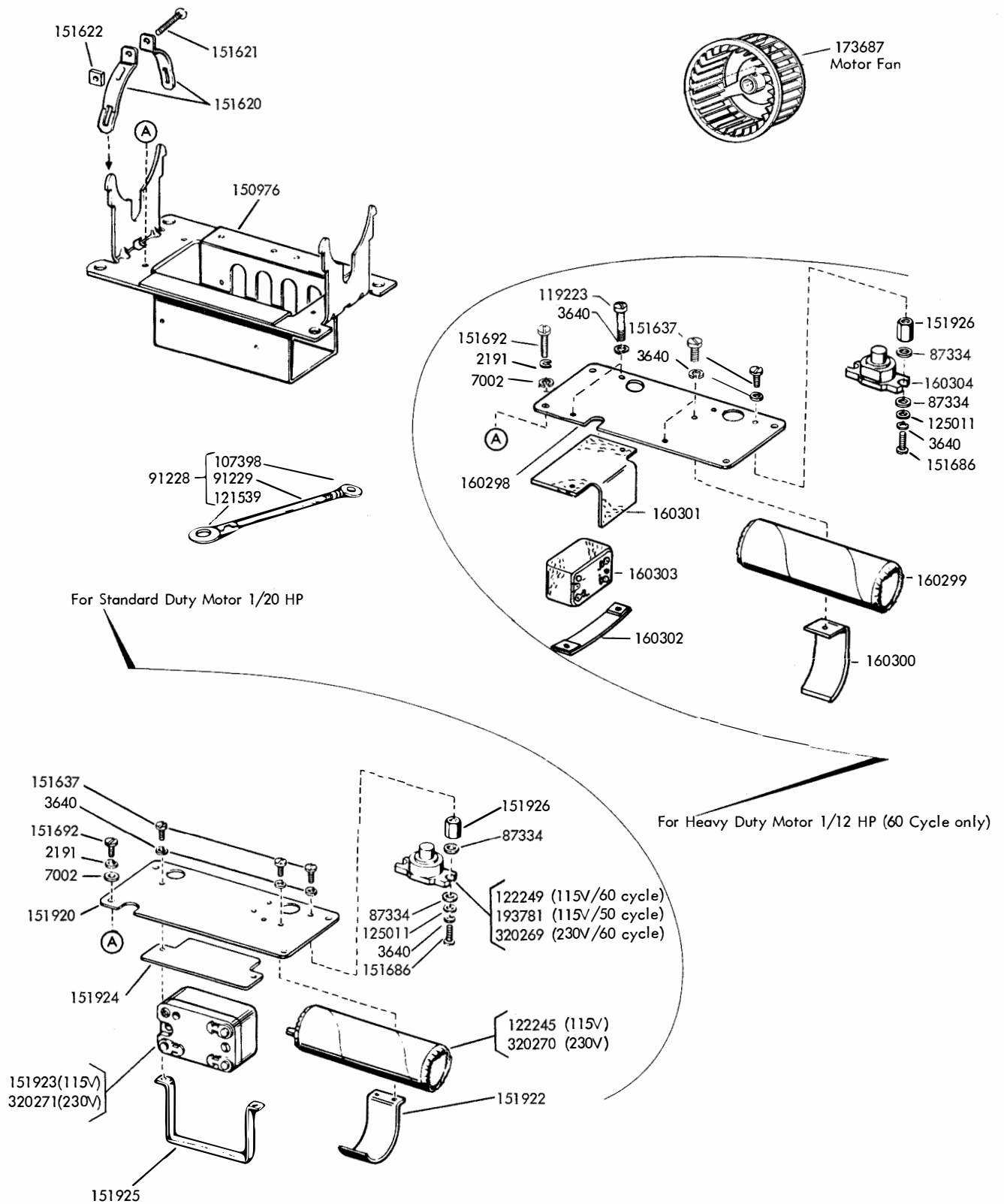
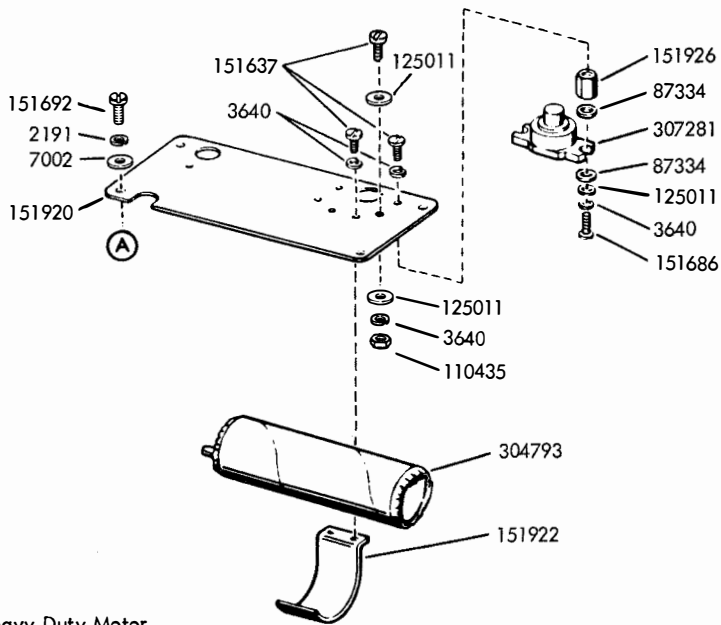


FIGURE 4. RELAY AND CAPACITOR MOUNTING (SYNCHRONOUS)



For Heavy Duty Motor
 1/12 HP, 50 Cycle Only
 3000 RPM

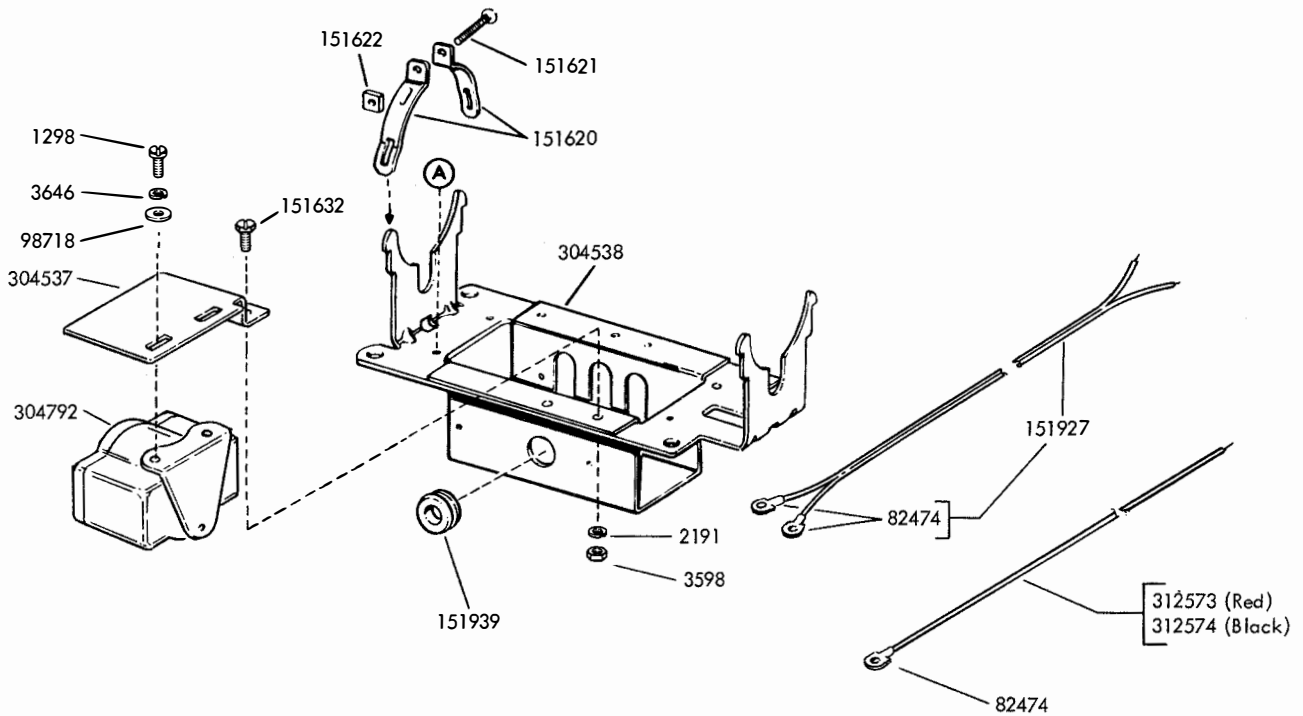


FIGURE 5. RELAY AND CAPACITOR MOUNTING (SYNCHRONOUS)

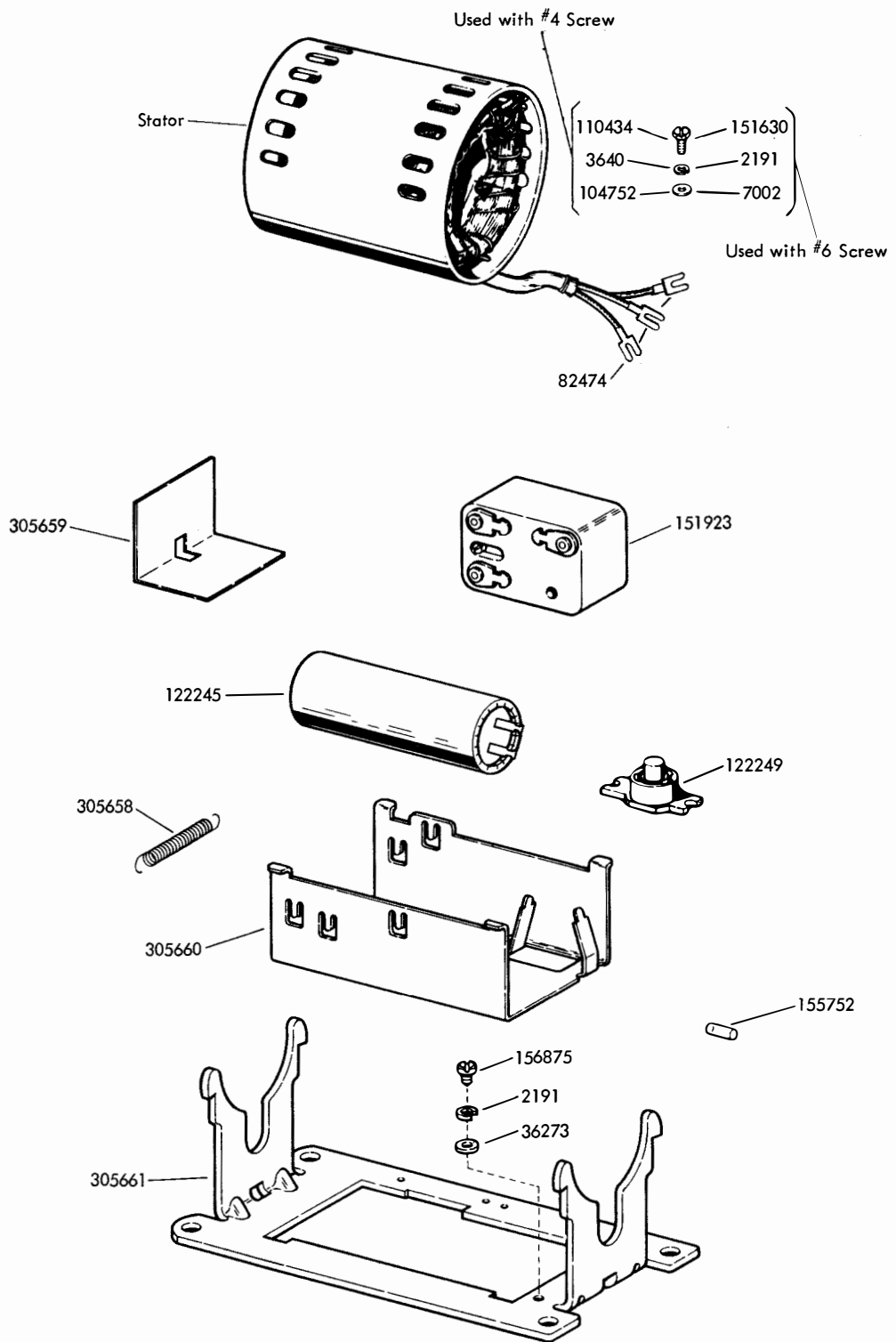


FIGURE 6. RELAY AND CAPACITOR MOUNTING

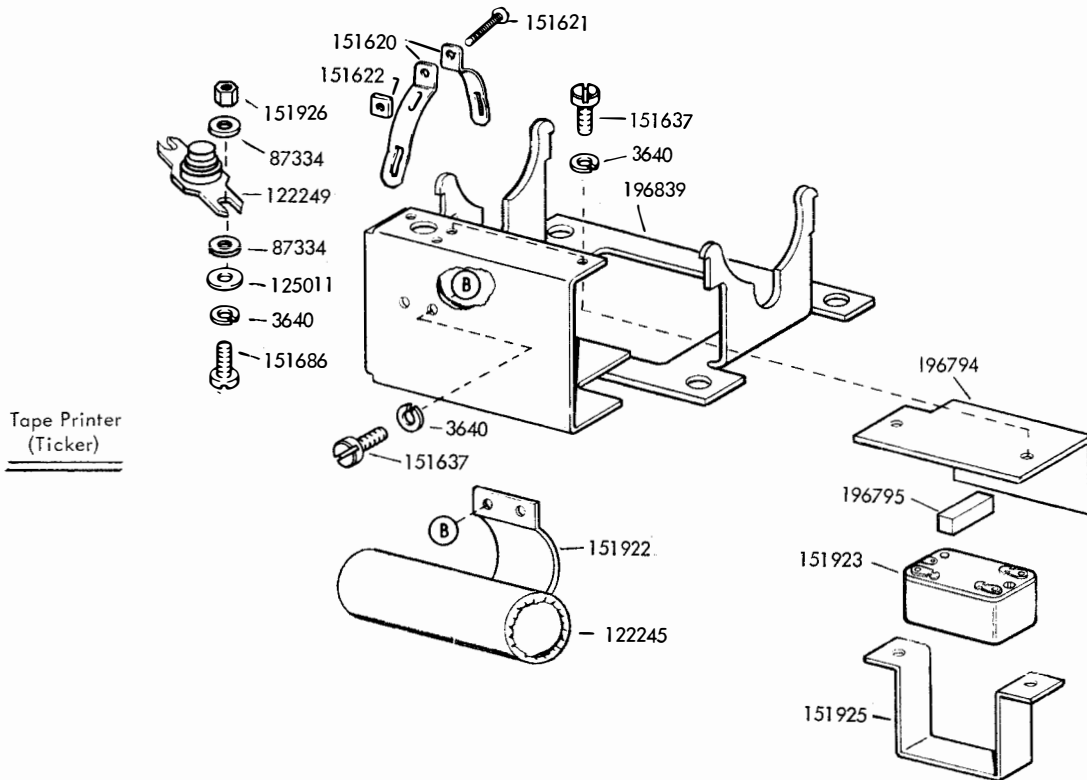
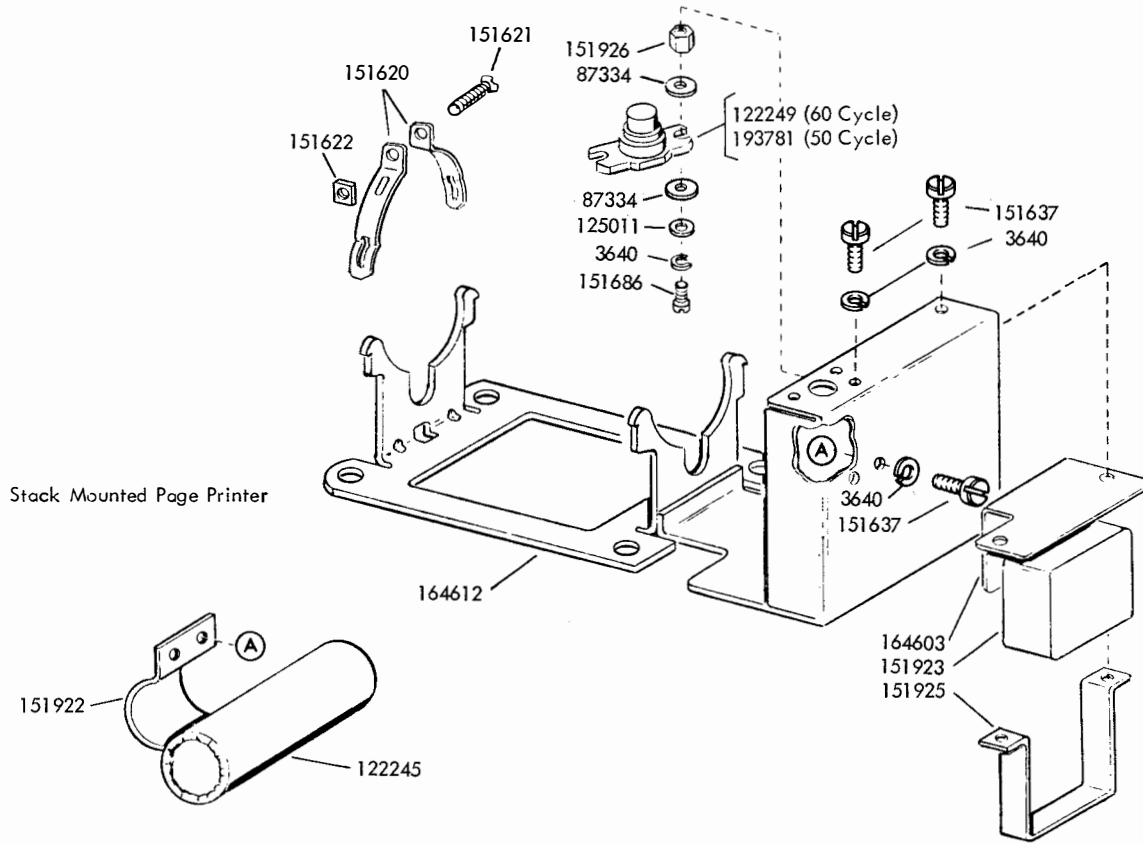
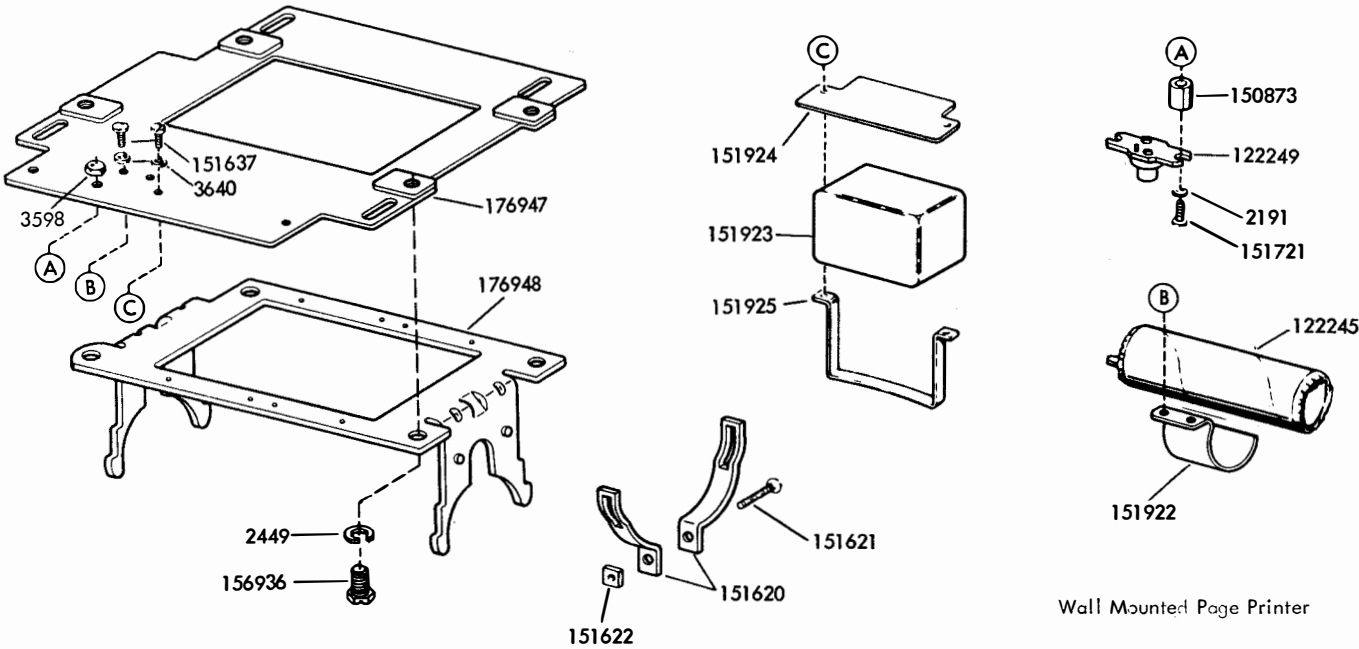


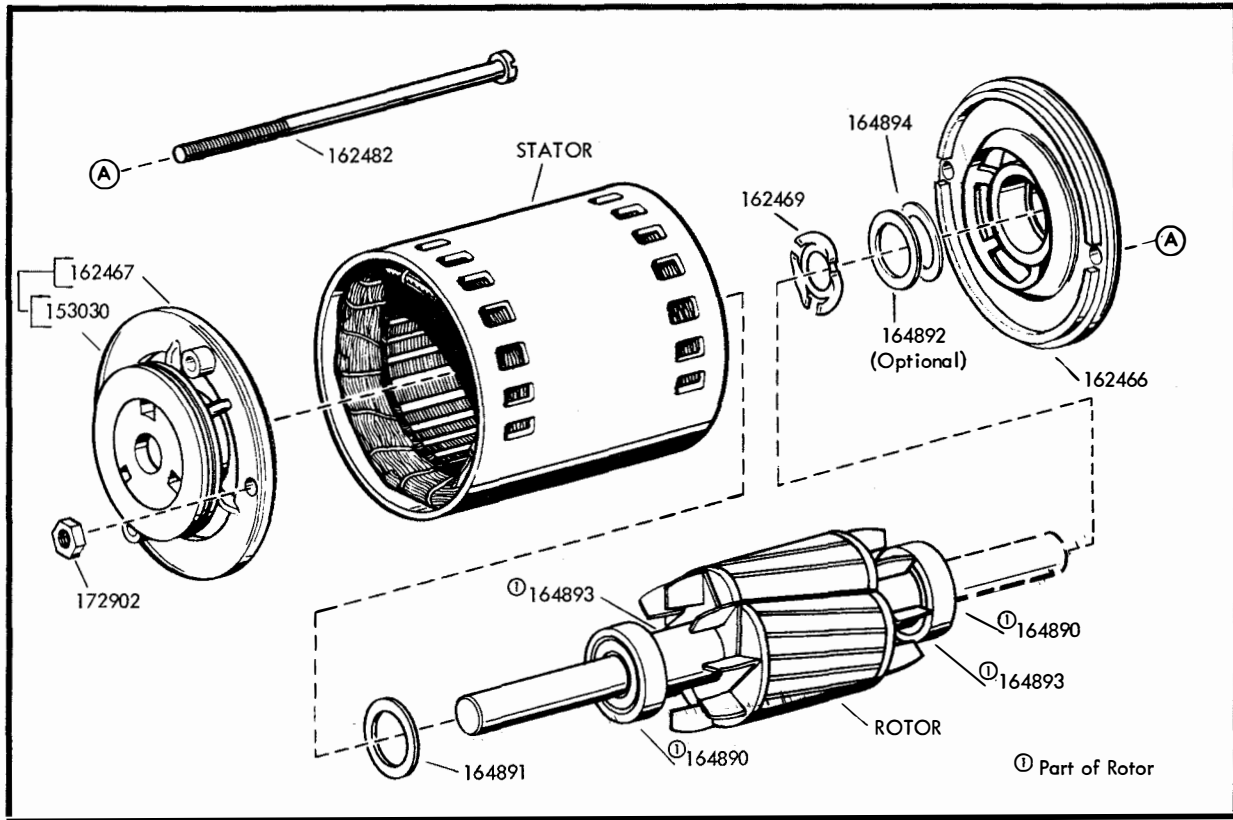
FIGURE 7. RELAY AND CAPACITOR MOUNTING (SYNCHRONOUS)



Wall Mounted Page Printer

Compact Page Printer

FIGURE 8. RELAY AND CAPACITOR MOUNTING (SYNCHRONOUS)



MINIATURE MOTOR ASSEMBLY

SYNCHRONOUS MOTORS - Miniature			
MOTOR ASSEMBLY	STATOR	ROTOR	MOTOR DATA
161984	162464	162465	AC Synchronous, 25 MHP, 115V: 60 Cycle, 3600 RPM
194924	195214	162465	AC Synchronous, 25 MHP, 115V: 50 Cycle, 3000 RPM
310295	162464	②310296	AC Synchronous, 25 MHP, 115V: 60 Cycle, 3600 RPM

② Has double shaft extension

FIGURE 9. SYNCHRONOUS MOTOR ASSEMBLIES (MINIATURE)

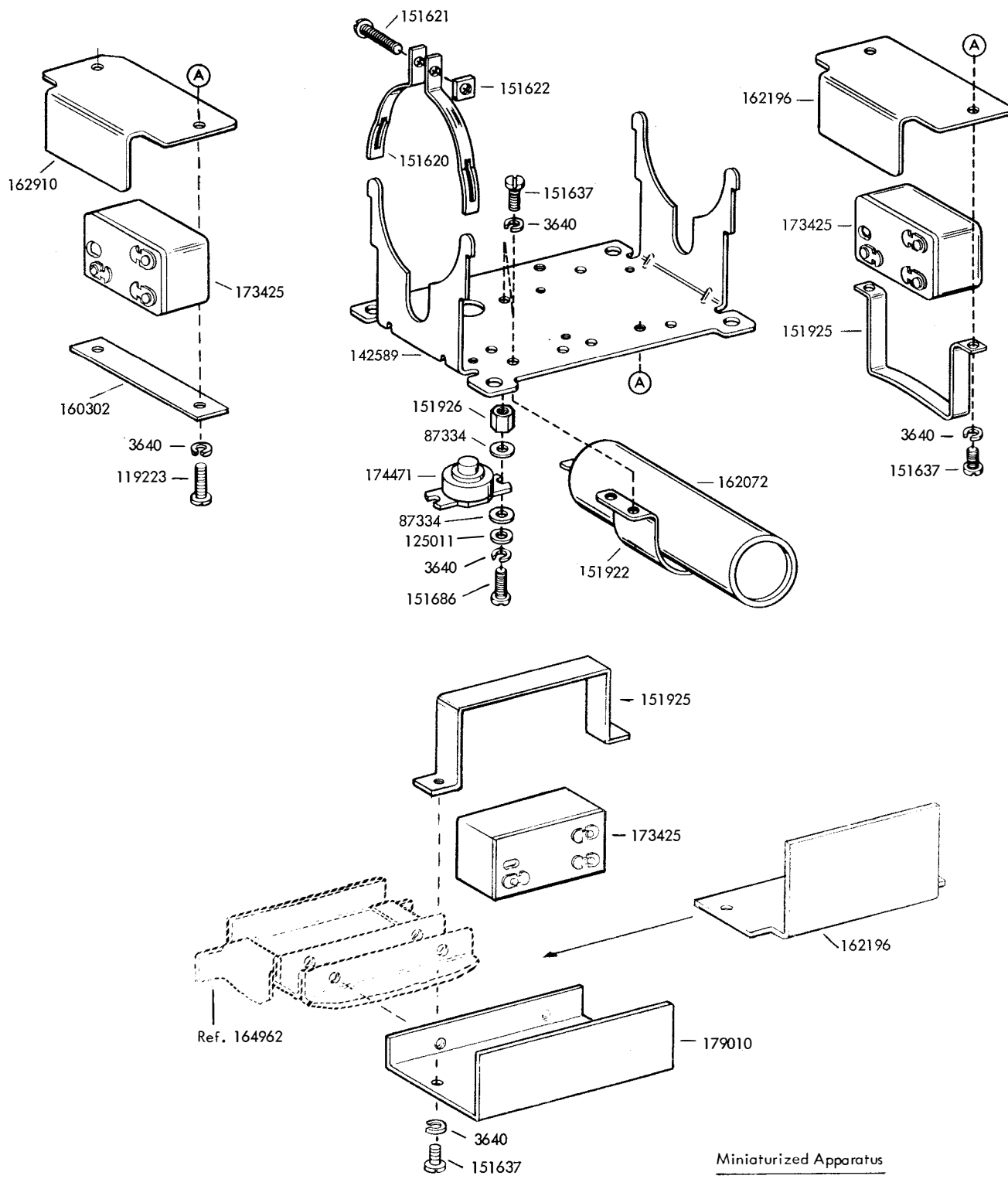


FIGURE 10. RELAY AND CAPACITOR MOUNTING (SYNCHRONOUS)

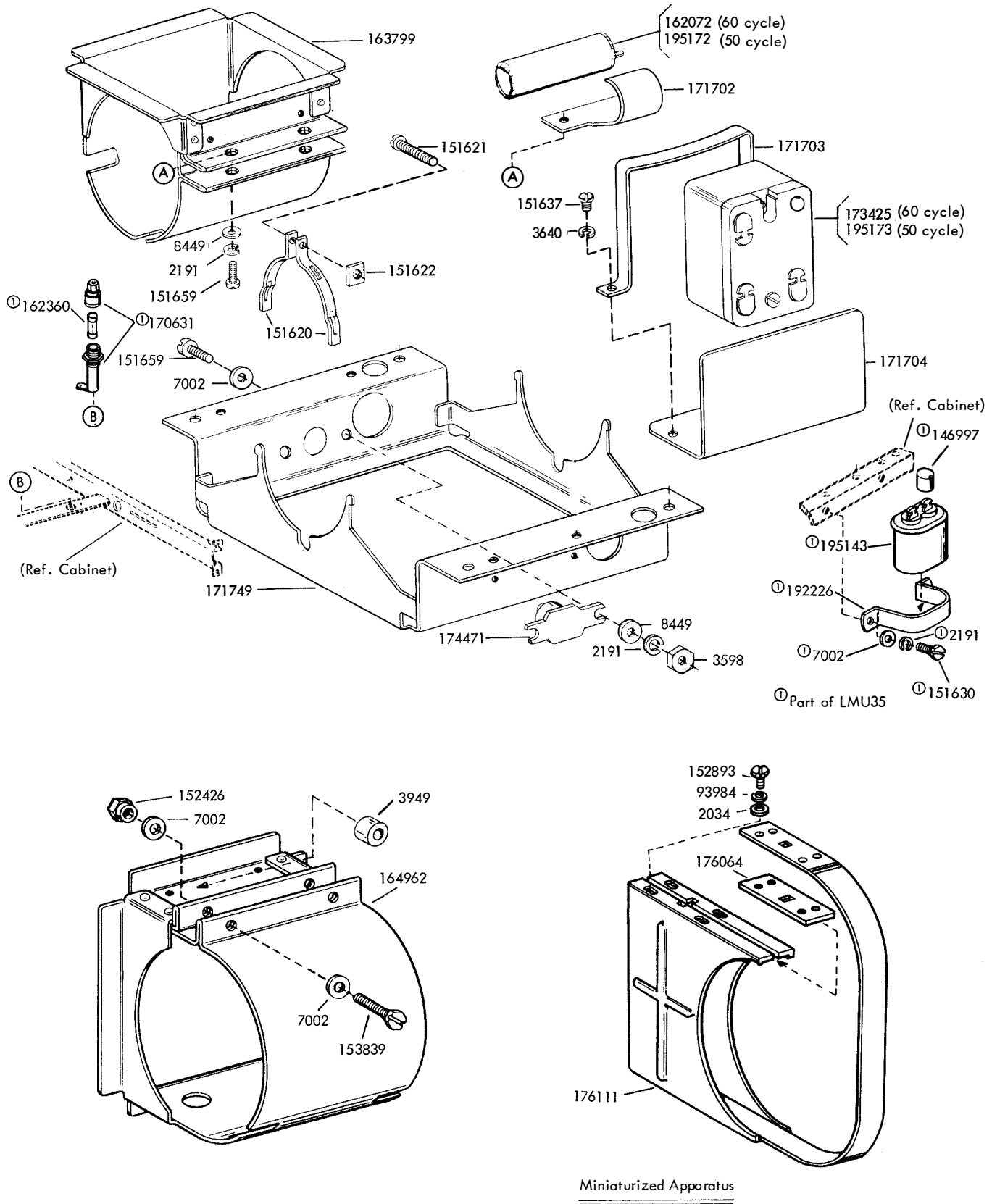
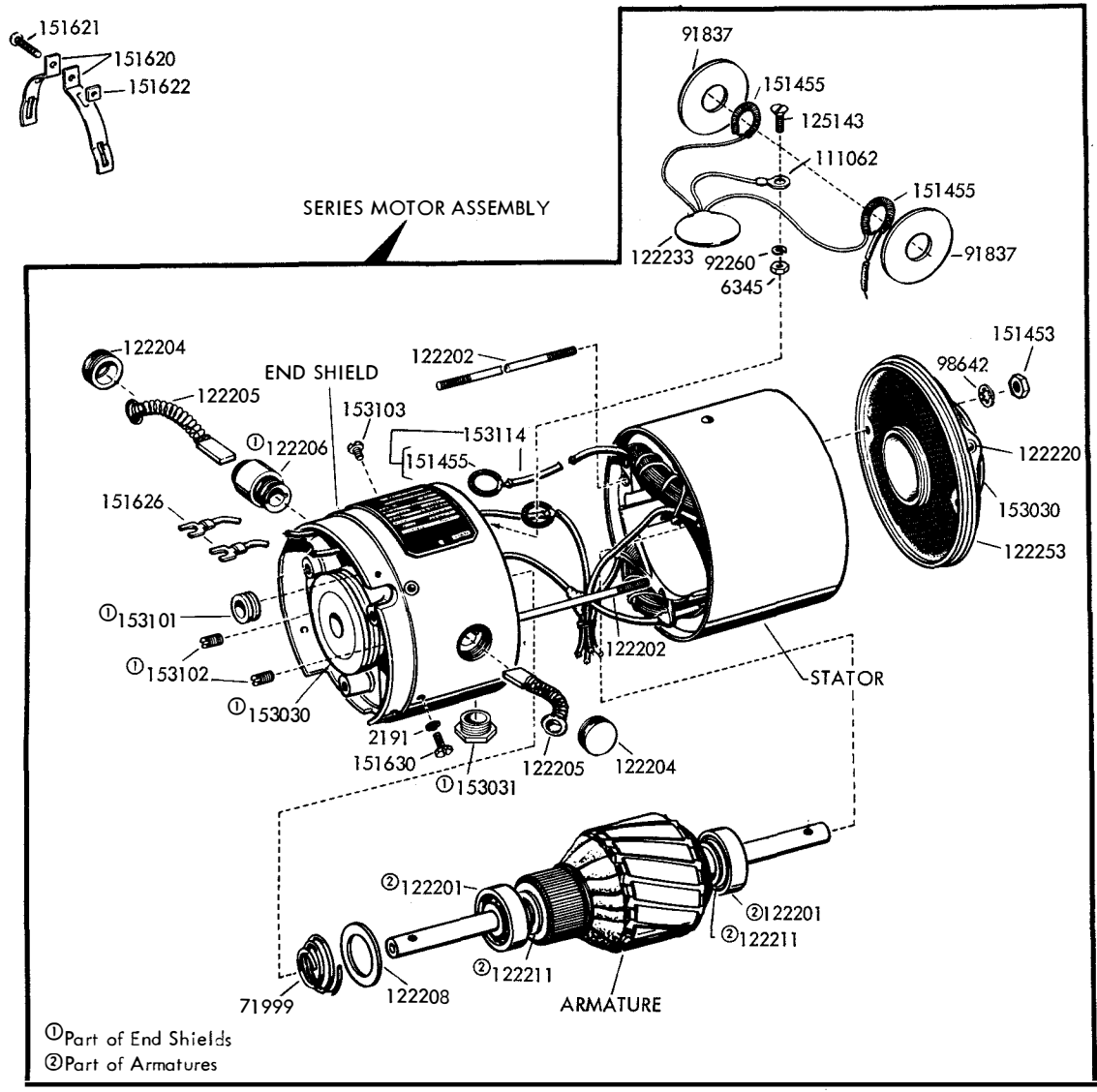


FIGURE 11. RELAY, CAPACITOR MOUNTING AND BRACKET (SYNCHRONOUS)

SERIES MOTOR UNITS

Teletype Code	Motor Assembly	Motor Bracket	Container	Lid	Nipple	Capacitor	Resistor	Electrical Noise Suppressor	Cable Assembly	Jumper
LMU4	150701	152046	152039	152040	152067	161579	161580	161578	152059	91228 (2-1/2" lg. w/107398 and 121539 Terminals) 162684 (2-3/4" lg. w/164479 Terminal) 162685 (4" lg. w/164479 Terminal)
LMU6	150701	150976				161579	161580			91228 (2-1/2" lg. w/107398 and 121539 Terminals) 162684 (2-3/4" lg. w/164479 Terminal) 163268 (6-1/2" lg. White w/164479 Terminal) 163269 (2" lg. w/164479 Terminal)
LMU10	150701	152046	152039	152040	152067	161579	161580	161578	152059	91228 (2-1/2" lg. w/107398 and 121539 Terminals) 162684 (2-3/4" lg. w/164479 Terminal) 162685 (4" lg. w/164479 Terminal)
LMU13	163272	150976				161579	161580			91228 (2-1/2" lg. w/107398 and 121539 Terminals) 162684 (2-3/4" lg. w/164479 Terminal) 163268 (6-1/2" lg. White w/164479 Terminal) 163269 (2" lg. w/164479 Terminal)
LMU14	161577	152046	152039	152040	152067	161579	161580	161578	152059	91228 (2-1/2" lg. w/107398 and 121539 Terminals) 162684 (2-3/4" lg. w/164479 Terminal) 162685 (4" lg. w/164479 Terminal)
LMU23	164758	173751				173003	173004			91228 (2-1/2" lg. w/107398 and 121539 Terminals)
LMU28	179100	152046	179105	179106	179282	161579	179103	161578	179283	91228 (2-1/2" lg. w/107398 and 121539 Terminals)
LMU29	179190	152046	179420	179424	152067	179421	173004	179422	152059	91228 (2-1/2" lg. w/107398 and 121539 Terminals)
LMU32	194060	152046	194057	179424	194063	161579	179103	161578	152059	91228 (2-1/2" lg. w/107398 and 121539 Terminals)
LMU39	161577	152046	179420	179424	152067	161579	179103	161578	152059	91228 (2-1/2" lg. w/107398 and 121539 Terminals)
LMU41	150701	152046	179420	179424	152067	161579	179103	161578	152059	91228 (2-1/2" lg. w/107398 and 121539 Terminals)
LMU47	150701	152046	179420	179424	152067	161579	179103		152059	91228 (2-1/2" lg. w/107398 and 121539 Terminals)

FIGURE 12. SERIES MOTOR CROSS-REFERENCE CHART



SERIES MOTORS STANDARD OR HEAVY DUTY					MOTOR DATA
	MOTOR ASSEMBLY	STATOR	ARMATURE	END SHIELD	
Standard	150701	122221	122210	122200	Series, 1/20 HP, 115V: 60 Cycle, 3600 RPM
Heavy	161577	161576	161575	122200	Series, 1/15 HP, 115V: 60 Cycle, 3600 RPM
Heavy	③163272	161576	161575	163273	Series, 1/15 HP, 115V: 60 Cycle, 3600 RPM
Heavy	③164758	164756	164757	163273	DC Series, 1/15 HP, 48V: 3600 RPM
Standard	179100	122221	122210	179101	Series, 1/20 HP, 115V: 60 Cycle, 3600 RPM
Heavy	179190	164756	164757	122200	DC Series, 1/15 HP, 48V: 3600 RPM
Heavy	③194060	161576	161575	194062	Series, 1/15 HP, 115V: 60 Cycle, 3600 RPM

③ Arranged for Inverted Mounting

FIGURE 13. SERIES MOTOR ASSEMBLIES

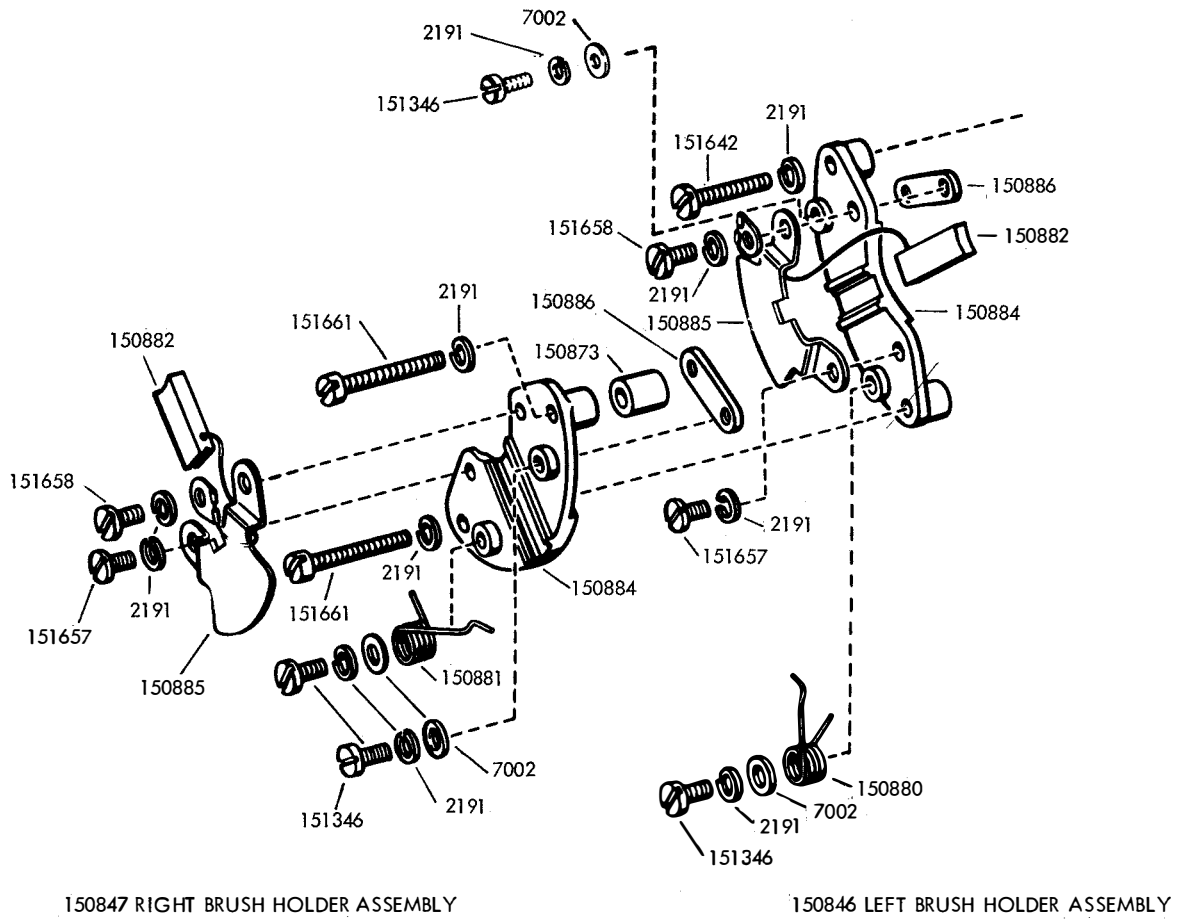
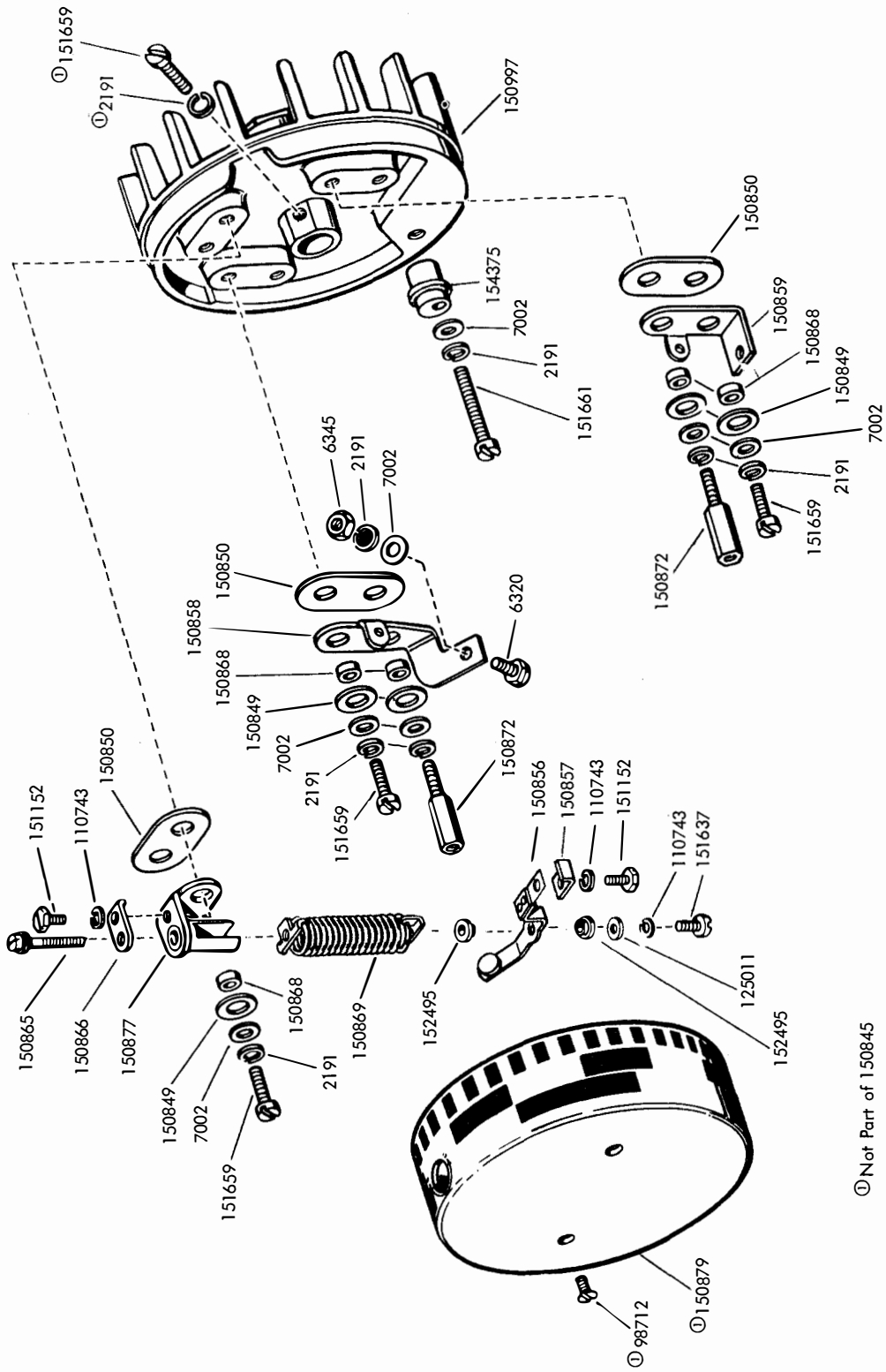


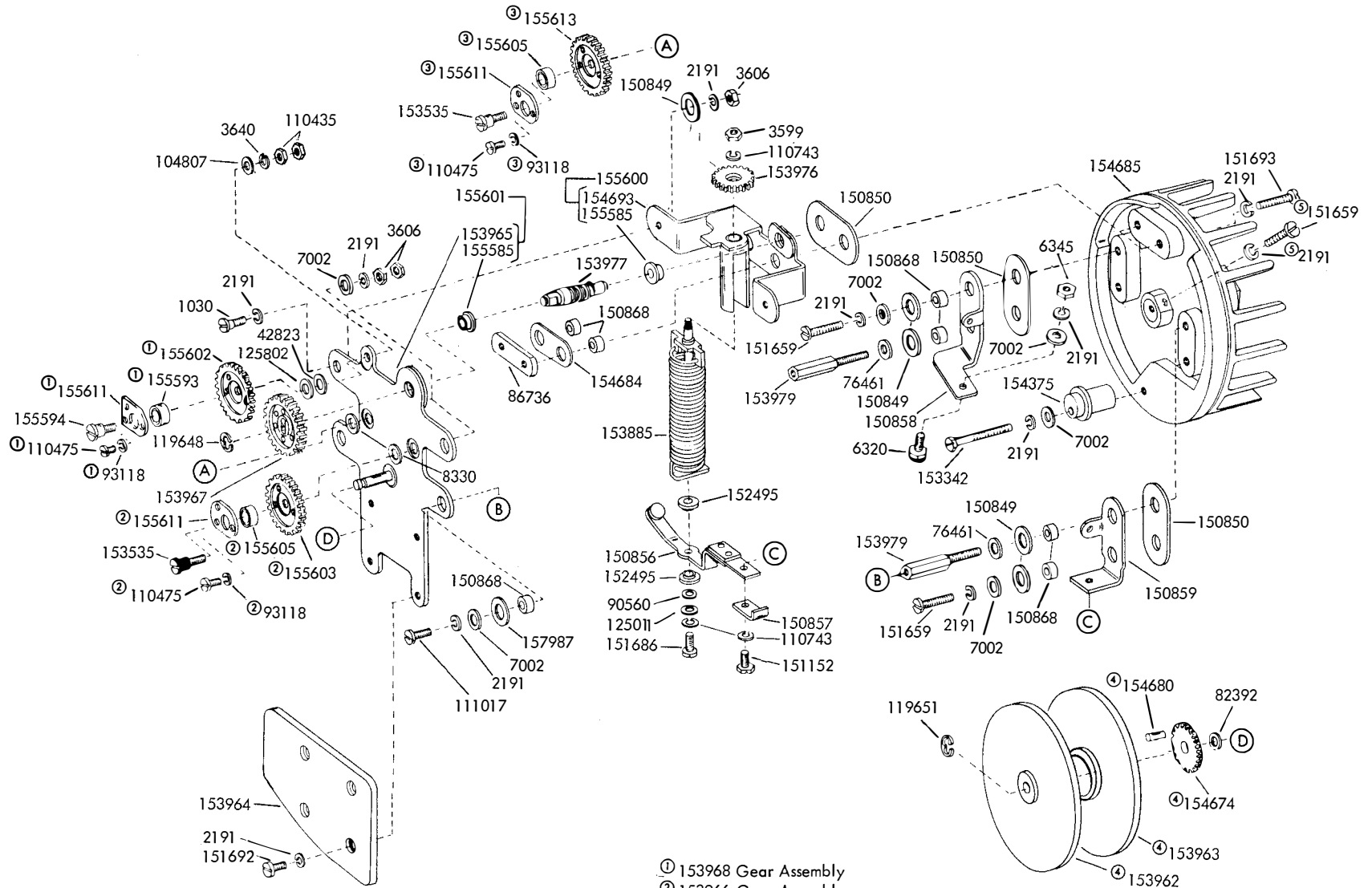
FIGURE 14. BRUSH ASSEMBLIES



Ⓝ Not Part of 150845

FIGURE 15. 150845 GOVERNOR ASSEMBLY

FIGURE 16. 154628 GOVERNOR ASSEMBLY



- ① 153968 Gear Assembly
- ② 153966 Gear Assembly
- ③ 153536 Gear Assembly
- ④ 154676 Disk Assembly
- ⑤ Not Part of 154628 Governor Assembly

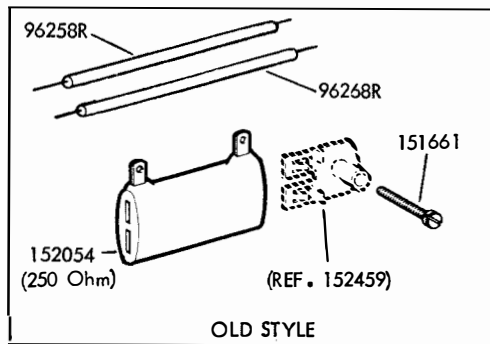
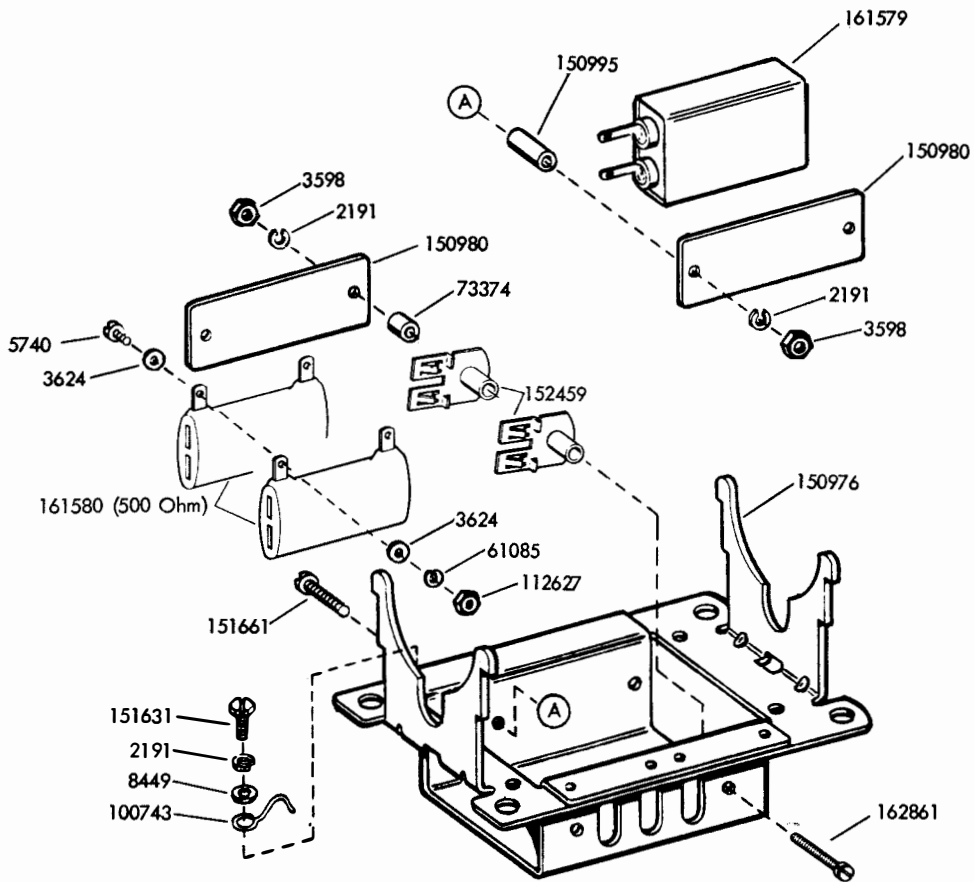
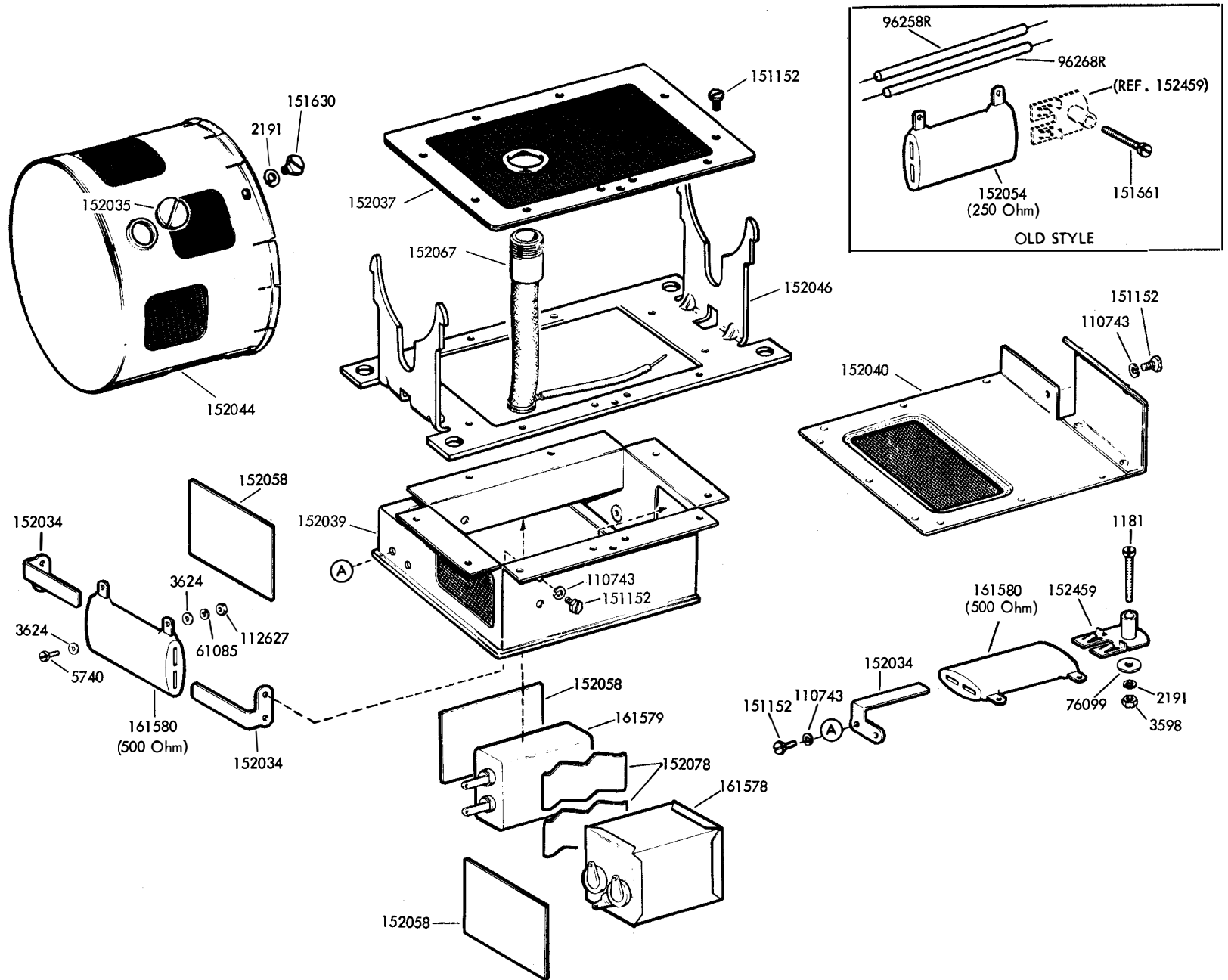


FIGURE 17. SERIES MOTOR MOUNTING PARTS

FIGURE 18. SERIES MOTOR MOUNTING PARTS WITH RF SUPPRESSION



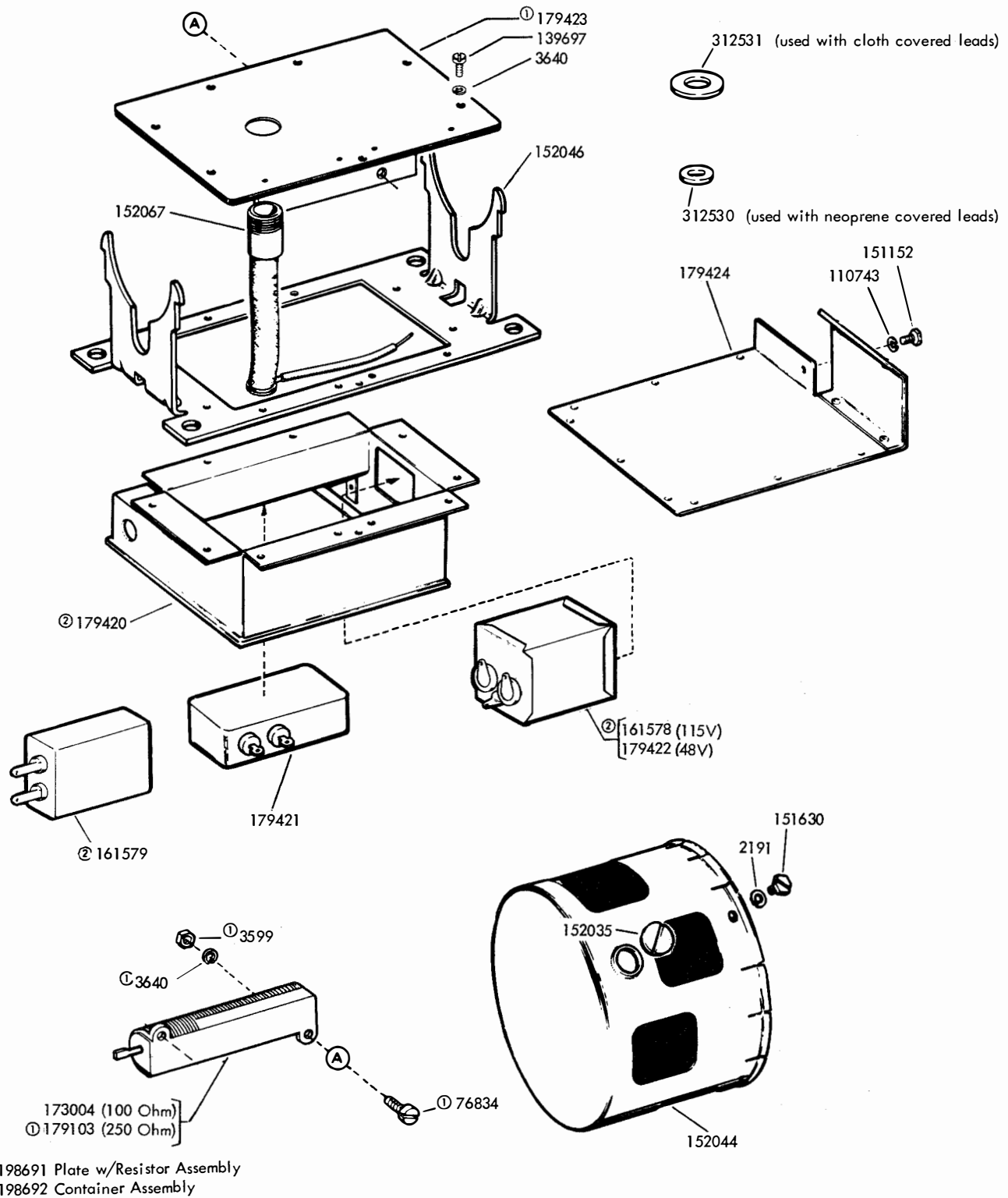


FIGURE 19. SERIES MOTOR MOUNTING PARTS WITH RF SUPPRESSION

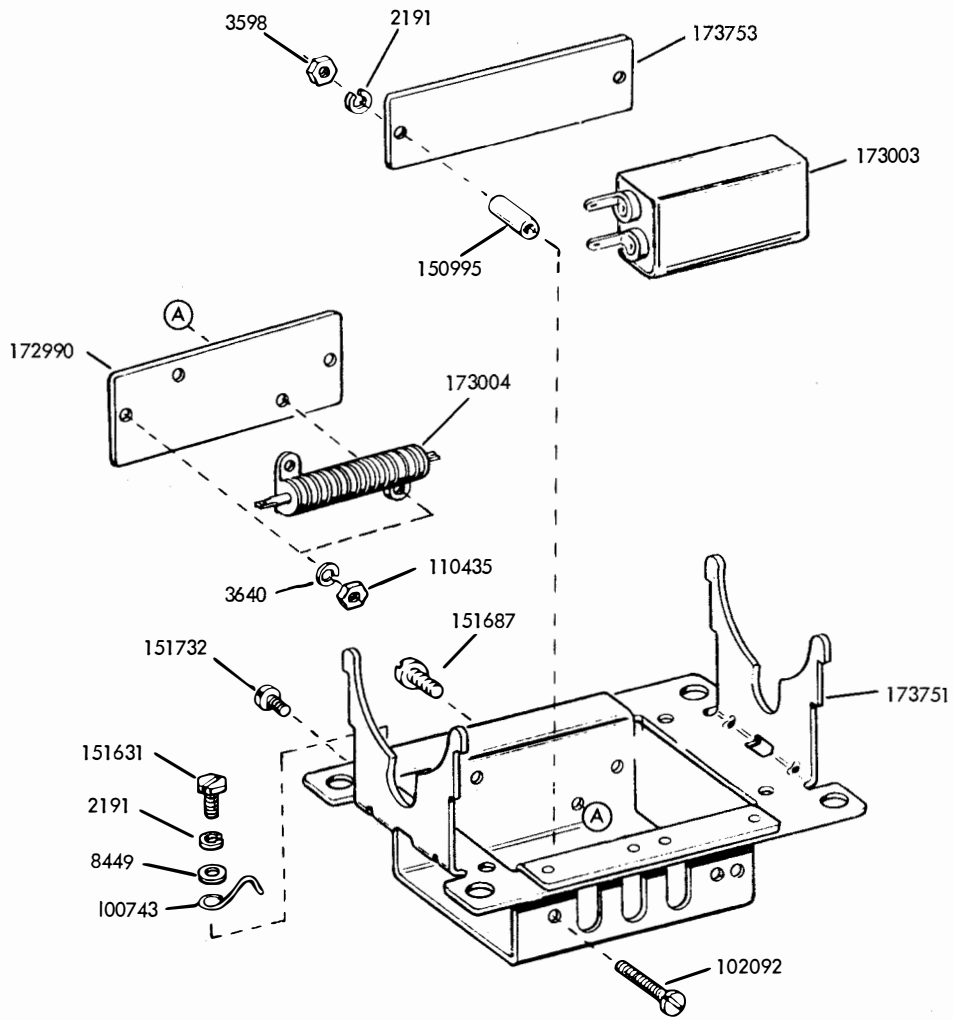
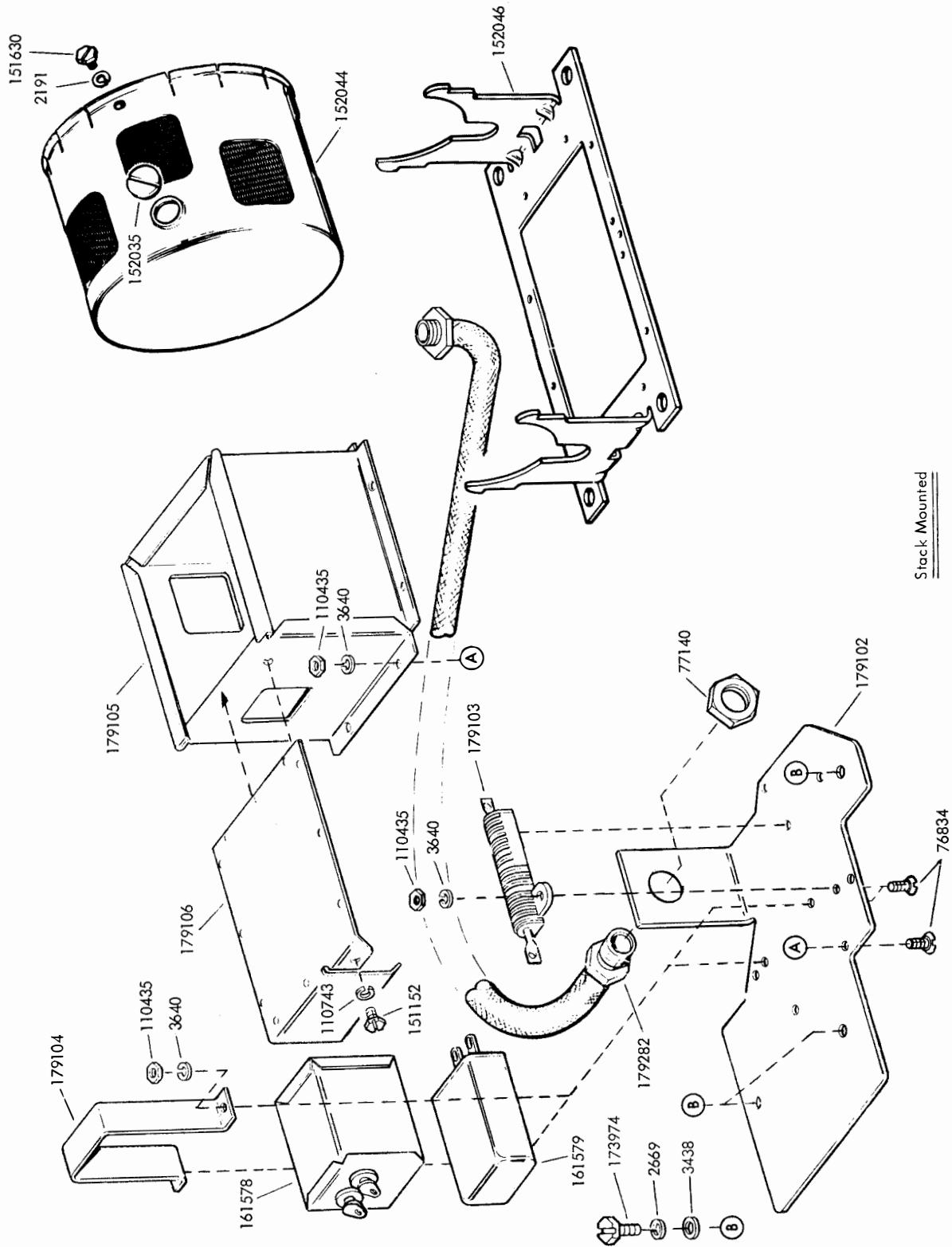


FIGURE 20. SERIES MOTOR MOUNTING PARTS



Stack Mounted

FIGURE 21. SERIES MOTOR MOUNTING PARTS WITH RF SUPPRESSION

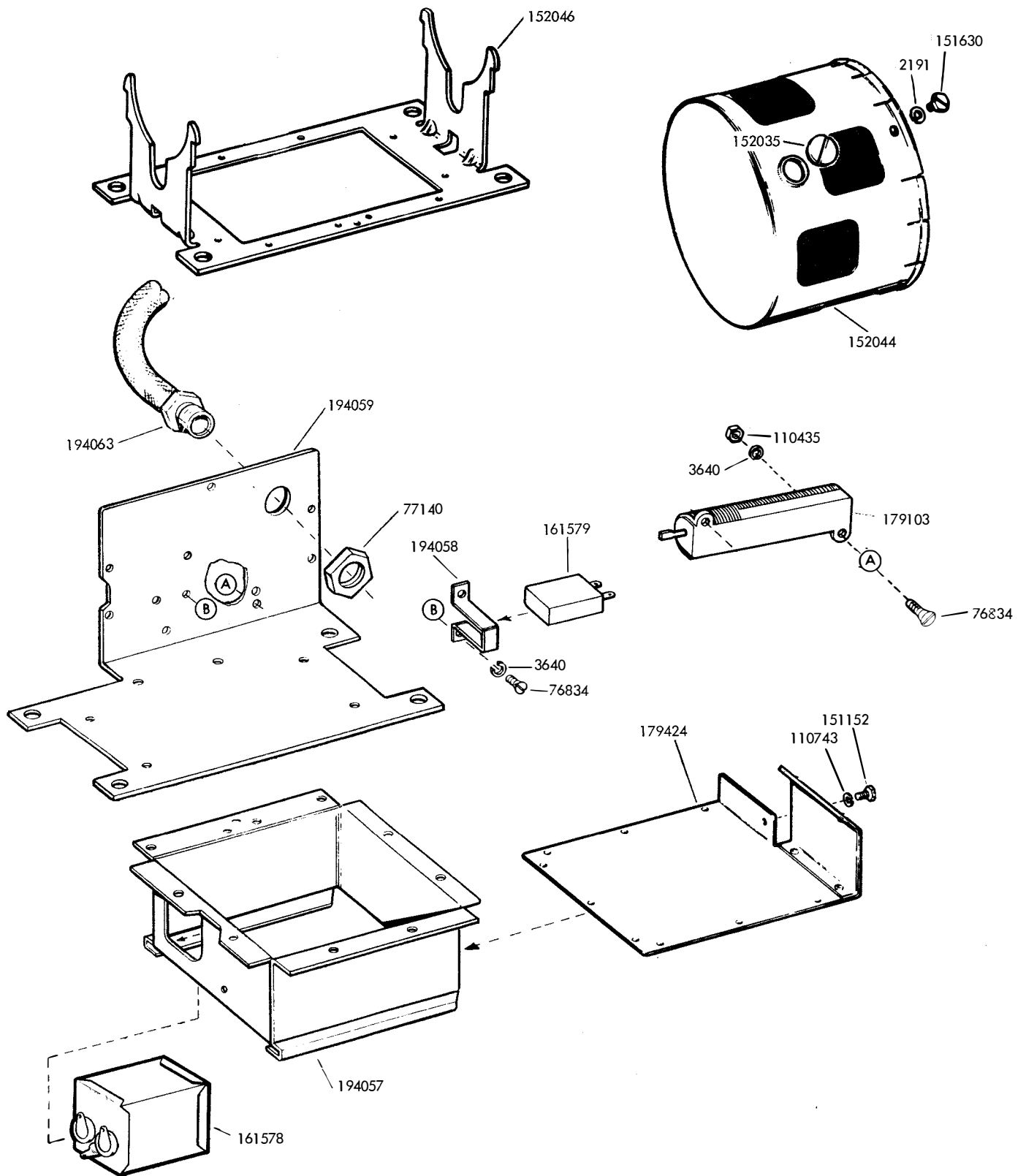


FIGURE 22. SERIES MOTOR MOUNTING PARTS WITH RF SUPPRESSION

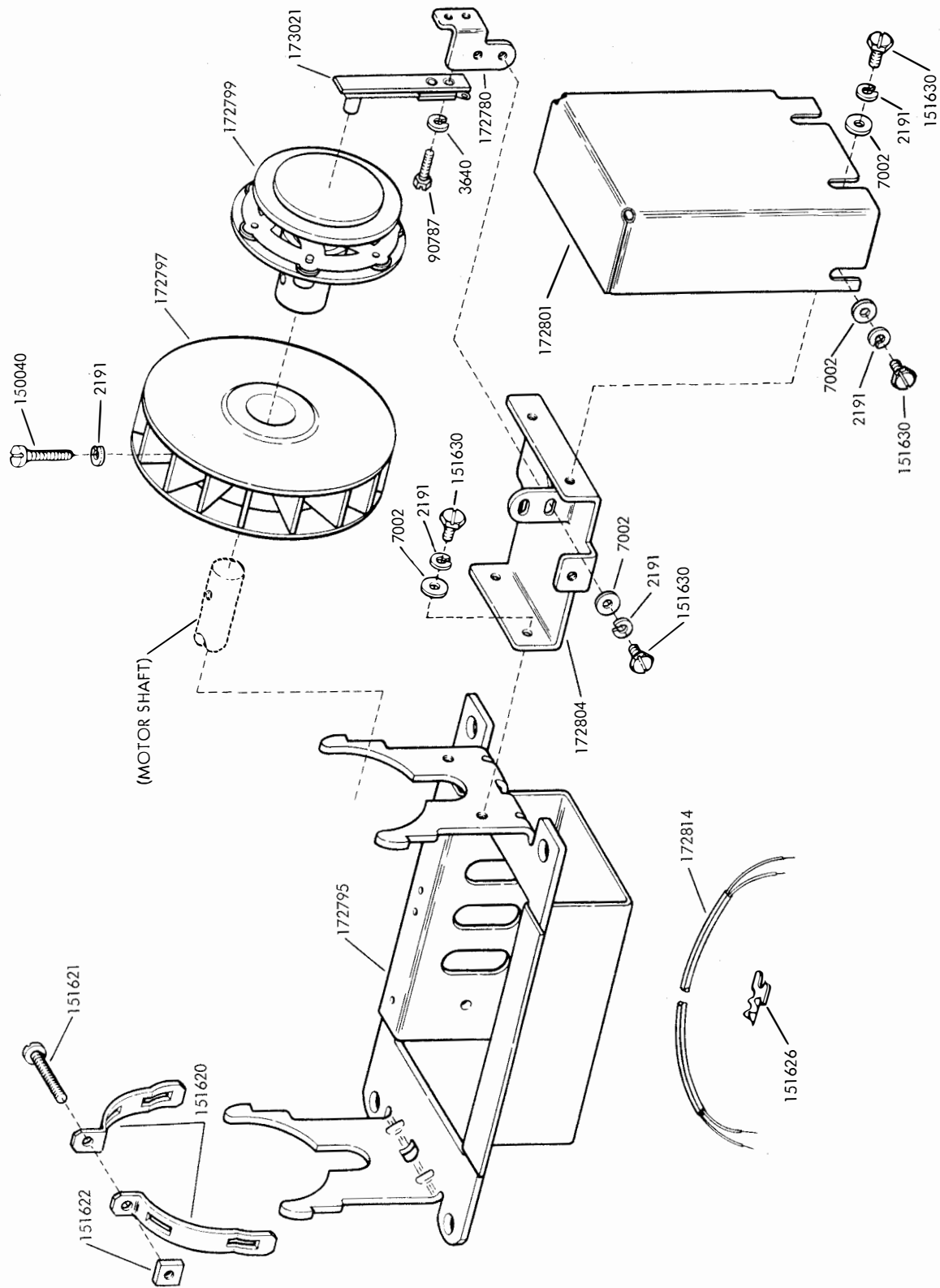
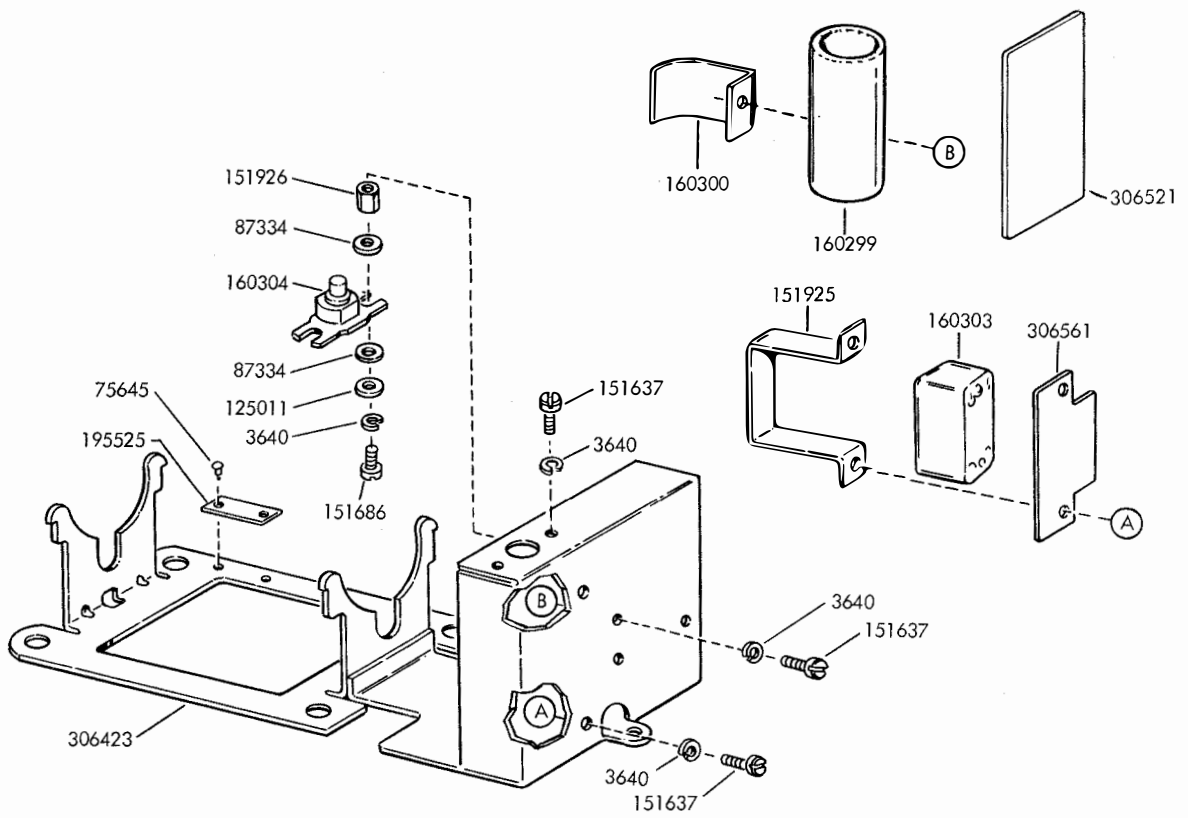


FIGURE 23. SYNCHRONOUS MOTOR MOUNTING WITH CENTRIFUGAL SWITCH ASSEMBLY



306567 SYNCHRONOUS MOTOR ASSEMBLY - HEAVY DUTY
 motor equipped with eccentric end shields

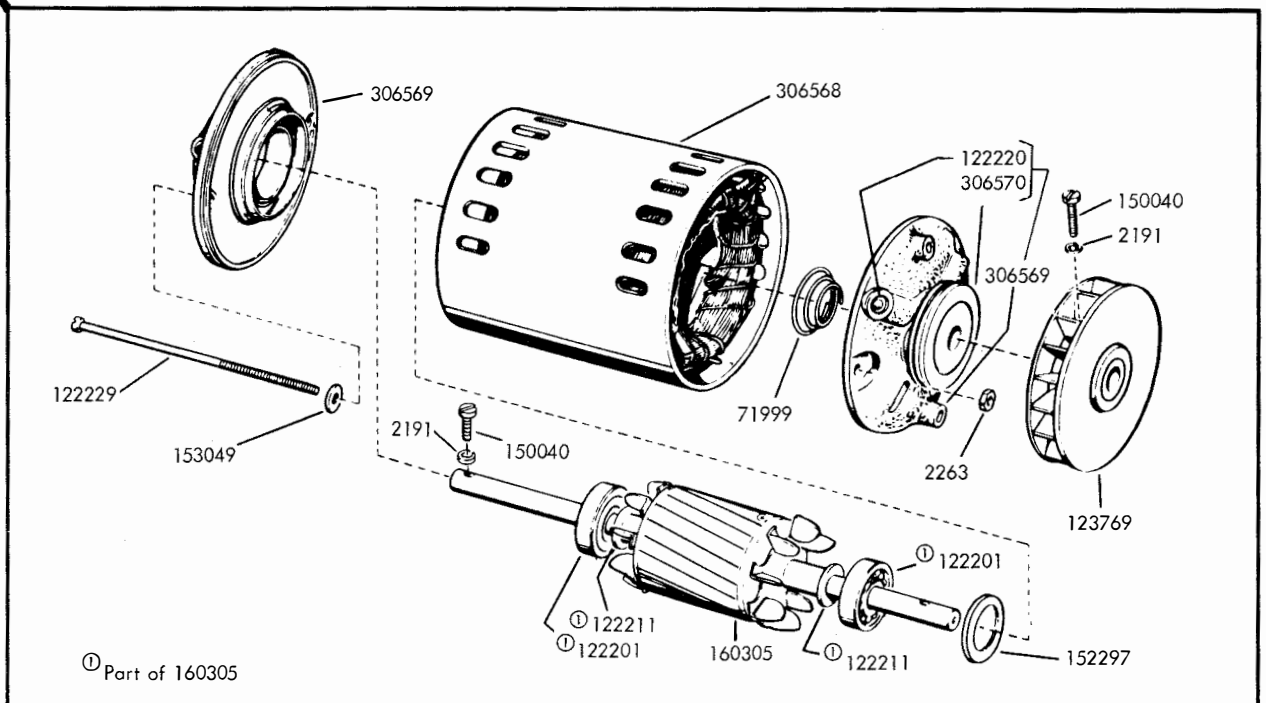


FIGURE 24. SYNCHRONOUS MOTOR UNIT

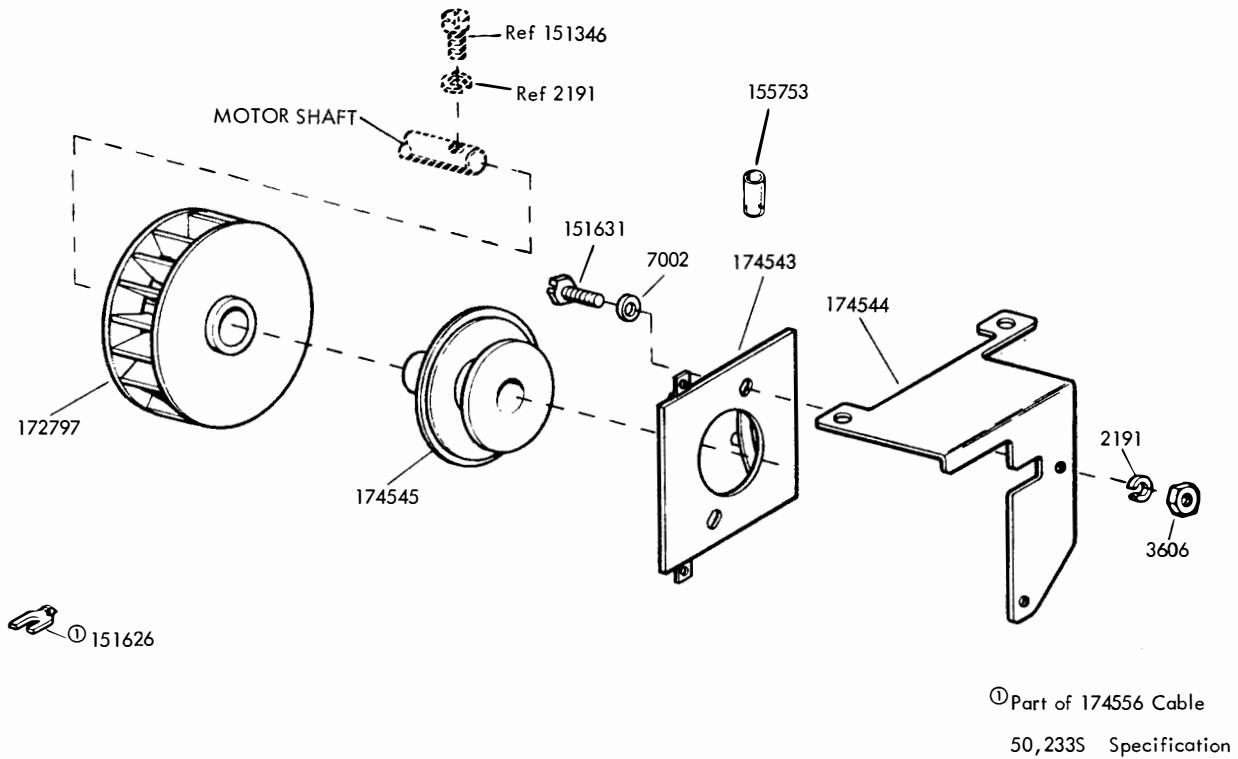


FIGURE 25. 174546 MODIFICATION KIT TO PROVIDE MOTOR RUNNING CONTACTS

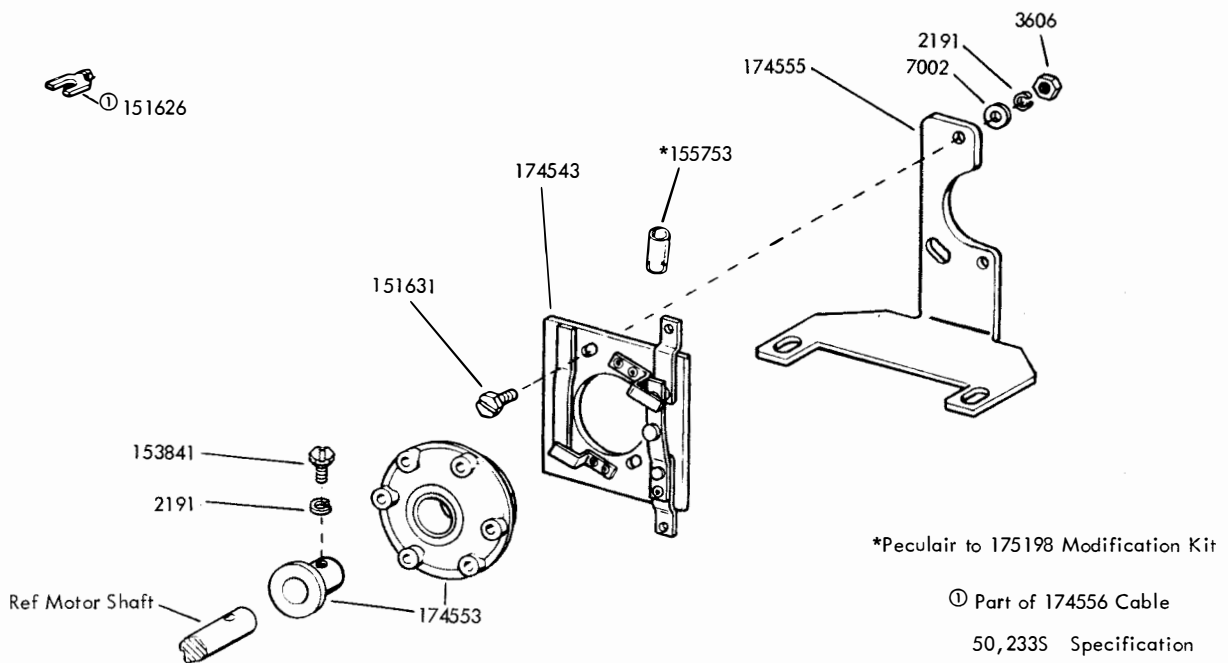


FIGURE 26. 174551 (LESS CABLE) 175198 (WITH CABLE) MODIFICATION KITS TO PROVIDE MOTOR RUNNING CONTACTS

MODIFICATION KITS
(Parts are illustrated on the pages indicated)

Modification Kit-Number	Part Number	Description	Quantity	Figure Number	Specification Number
198693	Modification Kit to Convert and LMU14 to and LMU39.				50,376S
	3640	Washer, Lock	7	19	
	75646	Screw, Drive	4		
	122233	Capacitor Assembly	1	13	
	139697	Screw, 4-40 x 9/32 Fil	7	19	
	151626	Terminal	1	13	
	152067	Nipple	1	19	
	161576	Stator, Motor	1	13	
	179424	Lid w/Insulator	1	19	
	198691	Plate w/Resistor Assembly	1	19	
	198692	Container Assembly	1	19	
	309431	Plate, Code (LMU39X)	1		
	312530	Washer, Textolite	1	19	
	312531	Washer, Fiber	1	19	
304739	Modification Kit to Convert an LMU46 to an LMU41.				50,376S
	2191	Washer, Lock	4	19	
	3640	Washer, Lock	8	19	
	75646	Screw, Drive	4		
	110743	Washer, Lock	1	19	
	122221	Stator, Motor	1	13	
	122233	Capacitor Assembly	1	13	
	139697	Screw, 4-40 x 9/32 Fil	7	19	
	151152	Screw, 4-40 x 3/16 Hex	1	19	
	151626	Terminal	1	13	
	151630	Screw, 6-40 x 1/4 Hex	4	19	
	152035	Plug	1	19	
	152044	Cover	1	19	
	152046	Bracket w/Cradle, Motor	1	19	
	152067	Nipple	1	19	
	179424	Lid w/Insulator	1	19	
	198691	Plate w/Resistor Assembly	1	19	
	198692	Container Assembly	1	19	
	309432	Plate, Code (LMU41X)	1		
	312530	Washer, Textolite	1	19	
	312531	Washer, Fiber	1	19	
306708	Modification Kit to Conver an LMU10 to an LMU47.				50,376S
	3640	Washer, Lock	7	19	
	75646	Screw, Drive	4		
	122221	Stator, Motor	1	13	
	122233	Capacitor Assembly	1	13	
	139697	Screw, 4-40 x 9/32 Fil	7	19	
	151626	Terminal	1	13	
	152067	Nipple	1	19	
	179424	Lid w/Insulator	1	19	
	198691	Plate w/Resistor Assembly	1	19	
	198692	Container Assembly	1	19	
	309433	Plate, Code (LMU47X)	1		
	312530	Washer, Textolite	1	19	
	312531	Washer, Fiber	1	19	
306709	Modification Kit to Convert an LMU4 to an LMU41.				50,376S
	3640	Washer, Lock	7	19	
	75646	Screw, Drive	4		
	122221	Stator, Motor	1	13	
	122233	Capacitor Assembly	1	13	
	139697	Screw, 4-40 x 9/32 Fil	7	19	
	151626	Terminal	1	13	
	152067	Nipple	1	19	
	179424	Lid w/Insulator	1	19	

MODIFICATION KITS (Continued)
(Parts are illustrated on the pages indicated)

Modification Kit-Number	Part Number	Description	Quantity	Figure Number	Specification Number
	198691	Plate w/Resistor Assembly	1	19	
	198692	Container Assembly	1	19	
	309432	Plate, Code (LMU41X)	1		
	312530	Washer, Textolite	1	19	
	312531	Washer, Fiber	1	19	

NUMERICAL INDEX

Part Number	Description and Page Number	Part Number	Description and Page Number	Part Number	Description and Page Number
1030	Screw, Shoulder 6-40 17	110435	Nut, 4-40 Hex 6, 17, 21, 22, 23	150980	Plate, Clamping 18
1181	Screw, 6-40 x 11/16 Fil 19	110475	Screw, 2-64 x 5/64 Rd 17	150995	Bushing 18, 21
1298	Screw, 8-32 x 1/4 Fil 6	110743	Washer, Lock 16, 17, 19, 20, 22, 23, 27	150997	Fan, Governor 16
2034	Washer, Flat 12	111017	Screw, 6-40 x 5/16 Fil 17	151152	Screw, 4-40 x 3/16 Hex 16, 17, 19, 20, 22, 23, 27
2191	Washer, Lock 4, 5, 6, 7, 9, 12, 14 to 27	111062	Terminal 14	151346	Screw, 6-40 x 3/8 Fil 4, 15, 26
2263	Nut, 8-32 Hex 4, 25	112627	Nut, 2-56 Hex 18, 19	151453	Nut, 10-32 Hex 14
2449	Washer, Lock 9	119223	Screw, 4-40 x 1-15/32 Fil 5, 11	151455	Spring, Helical Clip 14
2669	Washer, Lock 22	119648	Ring, Retaining 17	151620	Strap, Motor Mounting 5, 6, 8, 9, 11, 12, 14, 24
3438	Washer, Flat 22	119651	Ring, Retaining 17	151621	Screw, 6-32 x 3/4 Rd 5, 6, 8, 9, 11, 12, 14, 24
3598	Nut, 6-40 Hex 6, 9, 12, 18, 19, 21	121539	Terminal 5, 13	151622	Nut, 6-32 Sq 5, 6, 8, 9, 11, 12, 14, 24
3599	Nut, 4-40 Hex 17, 20	122200	Shield Assembly, End 14	151626	Terminal 3, 14, 24, 26, 27
3606	Nut, 6-40 Hex 17, 26	122201	Rearing, Ball 4, 14, 25	151630	Screw, 6-40 x 1/4 Hex 7, 12, 14, 19, 20, 22, 23, 24, 27
3624	Washer, Flat 18, 19	122202	Stud 14	151631	Screw, 6-40 x 5/16 Hex 18, 21, 26
3640	Washer, Lock 5 to 9, 11, 12, 17, 20 to 25, 27	122204	Cap, Brush 14	151632	Screw, 6-40 x 3/8 Hex 6
3646	Washer, Lock 6	122205	Brush w/Spring 14	151637	Screw, 4-40 x 1/4 Fil 5, 6, 8, 9, 11, 12, 16, 25
3949	Spacer, .160" Thk 12	122206	Holder, Brush 14	151642	Screw, 6-40 x 3/4 Fil 15
5740	Screw, 2-56 x 1/4 Fil 18, 19	122208	Washer, Flat 14	151657	Screw, 6-40 x 1/4 Fil 15
6320	Screw, 6-32 Contact 16, 17	122210	Armature, Motor 14	151658	Screw, 6-40 x 5/16 Fil 15
6345	Nut, 6-32 Hex 14, 16, 17	122211	Washer, Pull 4, 14, 25	151659	Screw, 6-40 x 1/2 Fil 12, 16, 17
7002	Washer, Flat 5, 6, 7, 12, 15, 16, 17, 24, 26	122220	Oiler, Ball 4, 14, 25	151661	Screw, 6-40 x 1" Fil 15, 16, 18, 19
8330	Washer, Flat 17	122221	Stator 14, 27	151686	Screw, 4-40 x 3/8 Fil 5, 6, 8, 11, 17, 25
8449	Spacer, .094" Thk 12, 18, 21	122229	Bolt, 8-32 x 4-11/16 Fil 4, 25	151687	Screw, 4-40 x 7/16 Fil 9, 21
36273	Washer, Flat 7	122233	Capacitor Assembly 14, 27	151692	Screw, 6-40 x 3/16 Fil 5, 6, 17, 17
42823	Washer, Flat 17	122245	Capacitor, 43 to 48 Mfd 3, 5, 7, 8, 9	151693	Screw, 6-40 x 9/16 Fil 17
61085	Washer, Lock 18, 19	122249	Switch, Thermostatic 3, 5, 7, 8, 9	151721	Screw, 6-40 x 3/4 Hex 9
71999	Spring, Motor Thrust 4, 14, 25	122251	Stator, Motor 4	151732	Screw, 4-40 x 11/32 Fil 21
73374	Spacer, .250" 18	122252	Shield Assembly, End 4	151795	Motor, Synchronous 3, 4
75645	Screw, #0 x 1/8 Drive 25	122253	Shield Assembly, End 14	151920	Plate, Mounting 3, 5, 6
75646	Screw, #0 x 3/16 Drive 27	123769	Fan, Motor 4, 25	151922	Clamp 3, 5, 6, 8, 9, 11
76099	Washer, Flat 19	125011	Washer, Flat 5, 6, 8, 9, 11, 16, 17, 25	151923	Relay, Motor Starting 3, 5, 7, 8, 9
76461	Washer, Flat 17	125143	Screw, 6-32 x 3/8 Flat 14	151924	Insulator, .031" Thk 3, 5, 9
76834	Screw, 4-40 x 3/8 Flat 20, 22, 23	125802	Washer, Flat 17	151925	Clamp 3, 5, 8, 9, 11, 25
77140	Nut, Lock 9/16 - 32 Hex 22, 23	128874	Rotor, Motor 4	151926	Nut, 4-40 Spl 5, 6, 8, 11, 25
82392	Shim, .004" Thk 17	139697	Screw, 4-40 x 9/32 Fil 20, 27	151927	Cable w/Terminals 3, 6
82474	Terminal 3, 6, 7	142589	Bracket w/Cradle, Motor 3, 11	151939	Grommet, Rubber 6
86736	Plate, Clamping 17	146997	Cap, Bushing 12	152034	Bracket, Resistor 19
87334	Washer, Insulating 5, 6, 8, 9, 11, 25	150040	Screw, 6-40 x 5/8 Fil 4, 24, 25	152035	Plug 19, 20, 22, 23, 27
90560	Washer, Flat 17	150701	Motor, 115V AC Series 13, 14	152037	Cover 19
90787	Screw, 4-40 x 3/8 Hex 24	150845	Governor Assembly 1, 16	152039	Container 13, 19
91228	Strap, 2-1/2" Braided 5, 13	150846	Holder Assembly, Left Brush 15	152040	Lid 13, 19
91229	Strap, 2" Braided 5	150847	Holder Assembly, Right Brush 15	152044	Cover 19, 20, 22, 23, 27
91837	Washer, Insulating 14	150849	Washer, Insulating 16, 17	152046	Bracket w/Cradle, Motor 13, 19, 20, 22, 23, 27
92260	Washer, Lock 14	150850	Insulator, .031" Thk 16, 17	152054	Resistor, 250 Ohm 18, 19
93118	Washer, Lock 17	150856	Arm, Contact 16, 17	152058	Separator 19
93984	Washer, Lock 12	150857	Clamp 16, 17	152059	Cable w/Terminals 13
96258R	Jumper, 3" Red 18, 19	150858	Bracket, Contact 16, 17	152067	Nipple 13, 19, 20, 27
96262R	Jumper, 4" Red 3	150859	Bracket, Mounting 16, 17	152078	Spring, Separator 19
96264R	Jumper, 5" Red 3	150865	Screw, 4-40 Clamping 16	152297	Washer, Bearing 4, 25
96268R	Jumper, 7" Red 18, 19	150866	Clamp 16	152426	Nut, 6-40 Hex Self-Locking 12
96274R	Jumper, 10" Red 3	150868	Bushing, Insulating 16, 17	152459	Bracket, Mounting 18, 19
98642	Washer, Lock 14	150869	Spring 16	152495	Bushing 16, 17
98712	Screw, 4-40 x 1/4 Flat 16	150872	Stud 16	152893	Screw, 4-40 x 1/4 Hex 12
98718	Washer, Flat 6	150873	Collar 9, 15	153030	Mount, Vibration 4, 10, 14
100743	Clamp, Cable 18, 21	150877	Bracket, Guide 16	153031	Bushing, Lead 14
102092	Screw, 6-40 x 1-17/32 Rd 21	150879	Cover, Governor 16		
102203	Bushing 9	150880	Spring, Governor Brush 15		
104752	Washer, Flat 7	150881	Spring, Governor Brush 15		
104807	Washer, Flat 17	150882	Brush, Contact 15		
107398	Terminal 5, 13	150884	Mounting, Brush 15		
110434	Screw, 4-40 x 3/16 Fil 7	150885	Plate, Brush 15		
		150886	Plate, Clamp 15		
		150976	Bracket w/Cradle, Motor 3, 5, 13, 18		

NUMERICAL INDEX (Continued)

Part Number	Description and Page Number	Part Number	Description and Page Number	Part Number	Description and Page Number
153049	Washer, Insulating 4, 25	162072	Capacitor, 88 to 108 MFD 3, 11, 12	176064	Plate, Nut 12
153101	Grommet, Rubber 14	162196	Insulator 3, 11	176111	Duct 12
153102	Screw, Set 8-32 14	162360	Fuse, .8 Amp SL-BL 12	176137	Jumper, 9-1/4" Black 3
153103	Screw, 4-40 Self-Tapping 14	162464	Stator, Motor 10	176947	Plate w/Pads 3, 9
153114	Jumper, 8-1/2" Black 14	162465	Rotor, Motor 10	176948	Bracket w/Cradle, Motor 3, 9
153342	Screw, 6-40 x 15/16 Hex 17	162466	Shield, Rear End 10	178500	Motor, AC Synchronous 3, 4
153535	Screw, 6-40 Shoulder 17	162467	Shield, Front End 10	179010	Bracket, Relay 11
153536	Gear Assembly 17	162469	Washer, Spring 10	179016	Cable w/Terminal 3
153839	Screw, 6-40 x 5/8 Hex 12	162482	Bolt, 6-32 x 3-1/2 Fil 10	179100	Motor, 115V AC Series 13, 14
153841	Screw, 6-40 x 9/16 Hex 26	162684	Jumper, 2-3/4" White 13	179101	Shield Assembly, End 14
153885	Spring Assembly 17	162685	Jumper, 4" White 13	179102	Plate, Mounting 22
153962	Disk 17	162861	Screw, 6-40 x 1-7/16 Fil 18	179103	Resistor, 250 Ohm 13, 20, 22, 23
153963	Disk 17	162910	Insulator 3, 11	179104	Bracket, Clamp 22
153964	Counterweight 17	162911	Cable w/Terminals 3	179105	Container 13, 22
153965	Bracket 17	163268	Jumper, 6-1/2" White 13	179106	Lid w/Insulator 13, 22
153966	Gear Assembly 17	163269	Jumper, 2" White 13	179190	Motor, 48V DC Series 13, 14
153967	Gear, 28 T 17	163272	Motor, 115V AC Series 13, 14	179282	Nipple 13, 22
153968	Gear Assembly 17	163273	Shield Assembly, End 14	179283	Cable w/Terminals 13
153976	Gear, 32 T 17	163799	Bracket 12	179420	Container 13, 20
153977	Warm 17	164479	Terminal 13	179421	Capacitor, 1 MFD 13, 20, 27
153979	Post 17	164603	Insulator 3, 8	179422	Suppressor, Noise 13, 20
154375	Backstop 16, 17	164612	Bracket w/Cradle, Motor 3, 8	179423	Plate w/Bracket 20
154628	Governor Assembly 1, 17	164756	Stator, Motor 14	179424	Lid w/Insulator 13, 20, 23, 27
154674	Gear, 20 T 17	164757	Armature, Motor 14	192226	Bracket, Capacitor Mounting 12
154676	Disk Assembly 17	164758	Motor, 48V DC Series 13, 14	193181	Cable w/Terminals 3
154680	Bearing, Roller 17	164890	Bearing, Ball 10	193236	Cable w/Terminals 3
154684	Insulator 17	164891	Shim, .032" Thk 10	193781	Switch, Thermostatic 3, 5, 8, 9
154685	Fan Assembly 17	164892	Shim, .018" Thk 10	194057	Container 13, 23
154693	Bracket 17	164893	Collar, Thrust 10	194058	Clamp 23
155585	Bearing, Ball 17	164894	Shim, .018" Thk 10	194059	Bracket 23
155593	Bearing, Ball 17	164962	Bracket 11, 12	194060	Motor, 115V AC Series 13, 14
155594	Screw, 4-40 Shoulder 17	170631	Holder, Fuse 12	194062	Shield Assembly, End 14
155595	Motor, Synchronous 3, 4	170764	Motor, AC Synchronous 3, 4	194063	Nipple 13, 23
155600	Bracket 17	171702	Clamp 3, 12	194897	Bracket w/Cradle, Motor 3, 9
155601	Plate, Gear Train 17	171703	Clamp 3, 12	194899	Cable w/Terminals 3
155602	Gear, 28 T 17	171704	Insulator 3, 12	194924	Motor, 115V AC Synchronous 3, 10
155603	Gear, 28 T 17	171749	Bracket w/Cradle, Motor 3, 12	195143	Capacitor, 7 MFD 12
155605	Bearing, Ball 17	171810	Cable w/Terminals 3	195172	Capacitor, Motor Start 64 to 77 MFD 3, 12
155611	Ring, Bearing 17	172780	Bracket, Contact Mounting 24	195173	Relay 3, 12
155613	Gear, 28 T 17	172795	Bracket w/Cradle, Motor 3, 24	195178	Cable w/Terminals 3
155752	Sleeve, 5/64 ID x 1/2 Lg Insulating 7	172797	Fan 24, 26	195214	Stator 10
155753	Sleeve, 1/8 ID x 1/2" Lg Insulating 26	172799	Switch, Centrifugal 24	195215	Plate, Identification 25
156875	Screw, 6-40 x 5/32 Fil 7	172801	Cover, Switch 24	196794	Insulator 3, 8
156936	Screw, 1/4-32 x 5/16 Hex 9	172804	Plate, Adapter 24	196795	Block, Mounting 8
157987	Washer, Insulating 17	172814	Cable w/Terminals 24	196830	Motor, Synchronous 3, 4
159739	Motor, Synchronous 3, 4	172902	Nut, 6-32 Hex 10	196831	Stator, Motor 4
160298	Plate, Mounting 5	172990	Plate 21	196839	Bracket w/Cradle, Motor 3, 8
160299	Capacitor, 226 MFD 3, 5, 25	173003	Capacitor, 1 MFD 13, 21	198691	Plate w/Resistor Assembly 20, 27, 28
160300	Clamp 3, 5, 25	173004	Resistor, 100 Ohm 13, 20, 21	198692	Container Assembly 20, 27, 28
160301	Plate, Insulating 5	173021	Contact, Spring 24	198693	Modification Kit 27
160302	Plate, Nut 3, 5, 11	173425	Relay, Motor Starting 3, 11, 12	199718	Motor, 115V AC 50 Cycle Synchronous 3, 4
160303	Relay 3, 5, 25	173518	Modification Kit 2	199719	Rotor, Motor 4
160304	Switch, Thermostatic 3, 5, 25	173687	Fan, Motor 5	199720	Stator, Motor 4
160305	Rotor, Motor 4, 25	173751	Bracket w/Cradle, Motor 13, 21	199721	Bolt, 8-32 x 5-13/16 Fil 4
160306	Stator, Motor 4	173753	Plate 21	304537	Bracket 3, 6
161099	Cable w/Terminals 3	173974	Screw, 10-32 x 5/16 Hex 22	304538	Bracket w/Cradle, Motor 3, 6
161575	Armature, Motor 14	174471	Switch, Thermostatic 3, 11, 12	304739	Modification Kit 27
161576	Stator, Motor 14, 27	174543	Switch 26	304792	Relay 3, 6
161577	Motor, 115V AC Series 13, 14	174544	Bracket 26	304793	Capacitor, 161 to 193 MFD 3, 6
161578	Suppressor, Noise 13, 19, 20, 22, 23	174545	Rotor 26	305658	Spring 3, 7
161579	Capacitor, .5 MFD 13, 18, 19, 20, 22, 23	174546	Modification Kit 1, 26		
161580	Resistor, 500 Ohm 13, 18, 19	174551	Modification Kit 1, 26		
161984	Motor, AC Synchronous 3, 10	174553	Rotor 26		
		174555	Bracket, Switch 26		
		174556	Cable w/Terminals 26		
		175198	Modification Kit 1, 26		

NUMERICAL INDEX (Continued)

Part Number	Description and Page Number	Part Number	Description and Page Number	Part Number	Description and Page Number
305659	Insulator 3, 7	306567	Motor, 115V AC Synchronous 3, 25	309433	Plate, Code 27
305660	Plate, Mounting 3, 7	306568	Stator 25	310295	Motor, Synchronous 3, 10
305661	Bracket w/Cradle, Motor 3, 7	306569	Shield Assembly, End 25	310296	Rotor, Motor 10
306063	Motor, 230V AC Synchronous 3, 4	306570	Ring, Cushion 25	310341	Insulator 3, 9
306320	Cable Assembly 3	306708	Modification Kit 27	312530	Washer, Textolite 20, 27, 28
306423	Bracket w/Cradle, Motor 3, 25	306709	Modification Kit 27	312531	Washer, Fiber 20, 27, 28
306521	Insulator 25	307281	Switch, Thermostatic 3, 6	312573	Jumper, 6" Red 3, 6
306561	Insulator 3, 25	309431	Plate, Code 27	312574	Jumper, 6" Black 3, 6
		309432	Plate, Code 27, 28	320269	Switch, Thermostatic 3, 5
				320270	Capacitor, 15 to 18 MFD 3, 5
				320271	Relay, Motor Starting 3, 5
				320272	Stator 4

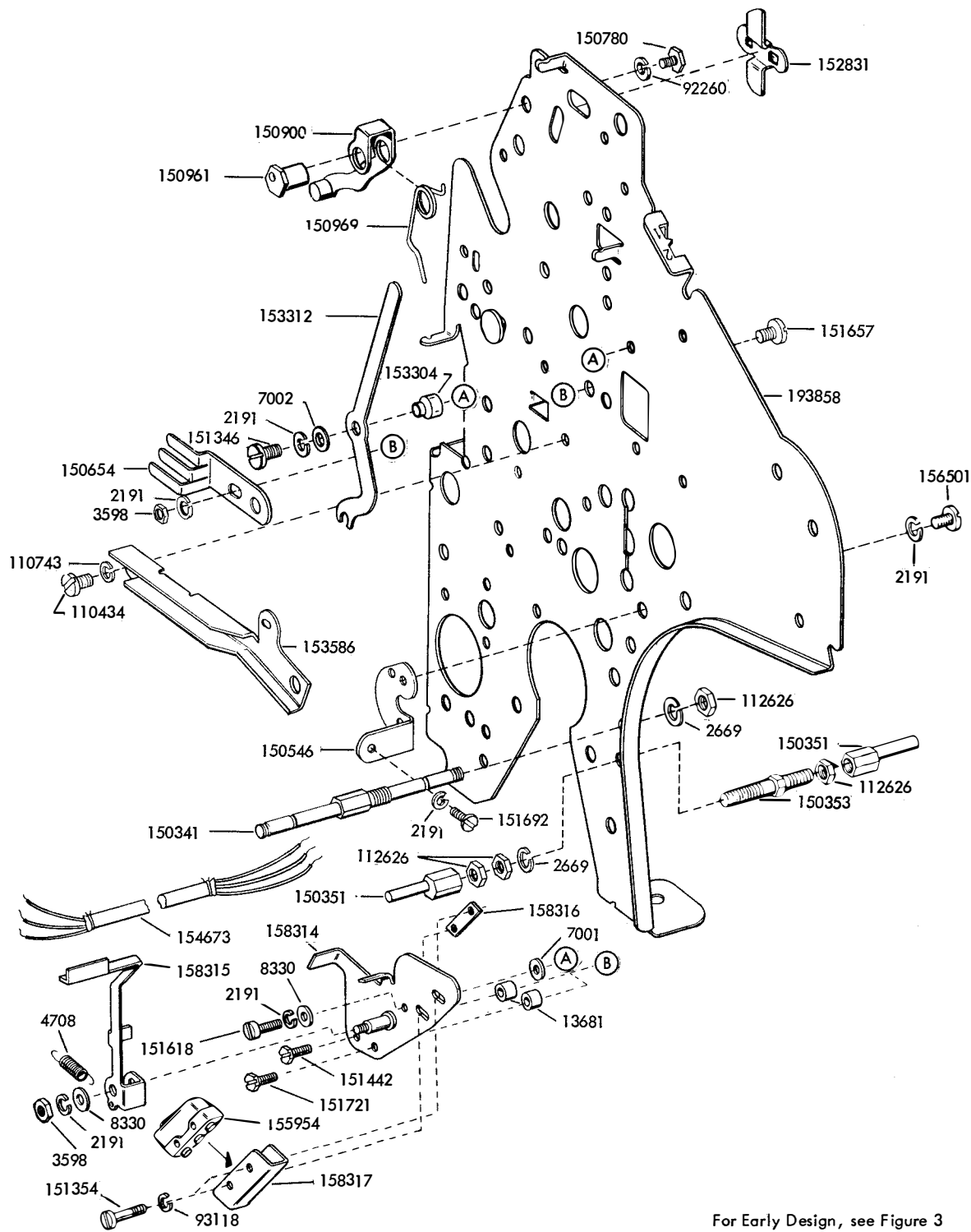


28 and 29 TYPING UNIT (LP)

PARTS

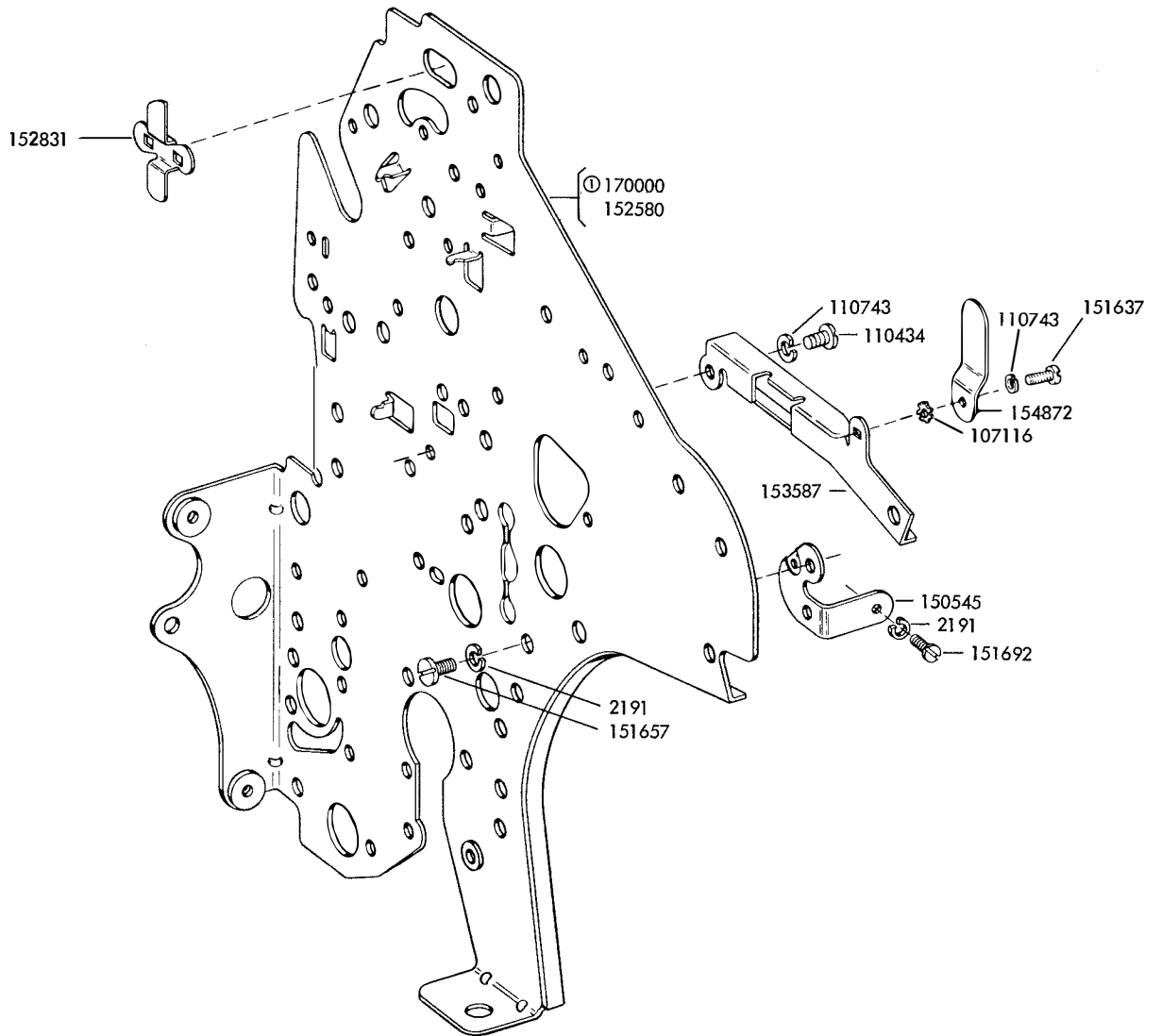
FIGURE	CONTENTS	PAGE	FIGURE	CONTENTS	PAGE
1	Left Side Frame Mechanism	4	50	Type Box and Pallets	53
2	Right Side Frame Mechanism	5	51	Type Box and Pallets	54
3	Left and Right Side Frame Mechanism	6	52	Typepallet Chart	55
4	Left and Right Side Frame Mechanism	7	53	Typepallet Charts	56
5	Left and Right Side Frames (Wall Mounted)	8	54	Typepallet Charts	57
6	Pressure Roller Mechanism	9	55	Stunt Box - Major Components	58
7	Pressure Roller Mechanism	10	56	Stunt Box - Major Components	59
8	Space Suppression Mechanism	11	57	Shift Mechanism Components	60
9	Space Suppression, Stunt Shift Control and Code Bar Suppression Mechanism (8 Level)	12	58	Function Levers	61
10	Space Suppression Mechanism	13	59	Switch Assemblies and Components	62
11	Print Suppression Mechanism	14	60	Switch Assemblies and Components	63
12	Electrically Operated Letters Shift Mechanism	15	61	Cable Assemblies	64
13	Page Feed-Out and Form Starter Mechanism	16	62	Function Bars	65
14	Paper Spindle and Reset Bail Mechanism	17	63	Function Bar Condition Chart	66
15	Paper Spindle and Reset Bail Mechanism	18	64	Function Bar Condition Chart	67
16	Reset Bail Mechanism	19	65	152302 (Sprocket Feed) and 155763 (Friction Feed) Modification Kits to Provide Page Feed-Out on Upper Case "Z"	68
17	Sprocket Feed Mechanism	20	66	152303 and 176821 Modification Kits to Provide Page Feed-Out Transmitter Control	69
18	Line Feed and Platen Mechanism	21	67	154780, 164476 and 178141 Modification Kits to Provide Horizontal Tabulator XD Control	69
19	Left Side Linkage and Rocker Shaft Mechanism	22	68	Page Feed-Out Form Length Gear and Disk Modification Kits	70
20	Left Side Linkage and Stripper Blade Mechanism	23	69	152304 Modification Kit to Provide Horizontal Tabulation (Continued on next page)	71
21	Right Side Linkage and Type Box Carriage Mechanism	24	70	152304 Modification Kit to Provide Horizontal Tabulation (Continued from preceding page)	72
22	Right Side Linkage and Type Box Carriage Mechanism	25	71	159362 Modification Kit to Provide Spacers for Centering Narrow Paper Roll on Spindle	73
23	Main Shaft Mechanism	26	72	151799 Modification Kit to Provide Latches for Paper Spindle	73
24	Main Shaft Mechanism	27	73	152315 and 154743 Modification Kits to Provide Manual Selection of Stunt Box Operation	73
25	Line Feed Clutch and Function Clutch Mechanism	28	74	154727 Modification Kit to Provide Auxiliary Connector	74
26	Trip Shaft Mechanism	29	75	152317 Modification Kit to Provide Horizontal Tabulator XD Control	74
27	Trip Shaft Mechanism	30	76	152337, 157509 and 173283 Modification Kits to Provide On-Line Stunt Shift Control	75
28	Carriage Return and Spacing Drum Mechanism	31	77	153912 Modification Kit to Provide Figs-Ltrs Code Bar Manual Shifting	76
29	Carriage Return and Spacing Drum Mechanism	32	78	152312 Modification Kit to Convert Printer for Use with Lightweight Set	76
30	Front Plate Mechanism	33	79	160886 and 194093 Modification Kits to Provide Local Form Feed-Out (Receiving Only Base)	76
31	Front Plate Mechanism	34	80	152340 Modification Kit to Provide Multi-Copy Paper Handling	77
32	Front Plate Mechanism	35			
33	Front Plate Mechanism (8 Level)	36			
34	Front Plate Mechanism	37			
35	Front Plate Mechanism	38			
36	Code Bar Positioning Mechanism	39			
37	Code Bar Positioning Mechanism (8 Level)	40			
38	Code Bar Positioning Mechanism	41			
39	Selector Mechanism	42			
40	Selector Mechanism (8 Level)	43			
41	Selector Knob Mechanism	44			
42	Selector Magnet Mechanism	45			
43	Selector Magnet Mechanism (8 Level)	46			
44	Selector Magnet Mechanism	47			
45	Right Ribbon Feed Mechanism	48			
46	Left Ribbon Feed Mechanism	49			
47	Code Bar Mechanism	50			
48	Code Bar Mechanism	51			
49	150036 Printing Carriage Assembly	52			

FIGURE	CONTENTS	PAGE	FIGURE	CONTENTS	PAGE
81	153910 Modification Kit to Provide Function Suppression for "AZ" Stunt Box	77	105	152917 and 157510 Modification Kits to Provide Local Back Space	95
82	152345 Modification Kit to Provide Off-Line Stunt Shift Control	78	106	161280 Modification Kit to Provide On-Line Reverse Line Feed	96
83	152350 Modification Kit to Provide Keyboard Lock	79	107	163183 Modification Kit to Provide D.C. Magnet Operated Print Suppression	97
84	153919 Modification Kit to Provide Auxiliary Connector	79	108	163947 Modification Kit to Provide Improved Manual Platen Line Feed	98
85	152915 and 157511 Modification Kits to Provide Local Reverse Line Feed	80	109	163535 and 178301 Modification Kits to Provide Transmitter Control for the Vertical Tabulator	98
86	Sprocket Feed Paper Handling Modification Kits (Typing Unit and Cabinet)	81	110	164270 Modification Kit to Provide Copy Display	99
87	Sprocket Feed Paper Handling Modification Kits (Wall Mounted Typing Unit and Cabinet)	82	111	157514 Modification Kit to Provide Automatic Carriage Return and Line Feed	100
88	153911 Modification Kit to Provide Continuous Spacing (Continued on next page)	83	112	172181 Modification Kit to Provide Copy Display	100
89	153911 Modification Kit to Provide Continuous Spacing (Continued from preceding page)	84	113	163146 Modification Kit to Provide Universal Contact	101
90	152348 Automatic Carriage Return and Line Feed and 153945 "O" Code Bar and Bellcrank Modification Kits	85	114	159366 Modification Kit to Provide a Friction Feed Printer with Paper-Out Alarm	102
91	154742 Modification Kit to Provide Four Lines Per Inch	85	115	179369 Modification Kit to Provide Copy Display	103
92	155051 Auxiliary Cable Assembly	86	116	Selective Calling Function Lever Modification Kits	104
93	154753 Modification Kit to Provide Auxiliary Connector	86	117	179724 Modification Kit to Provide Two Color Ribbon Printing - Right Side (Continued on next page)	105
94	154755 Modification Kit to Provide 5 Spaces Per Inch Horizontally	87	118	179724 Modification Kit to Provide Two Color Ribbon Printing - Left Side (Continued from preceding page)	106
95	159395 Modification Kit to Provide 6 Spaces Per Inch Horizontally	87	119	194995 and 199245 Modification Kits to Provide Paper Jam Alarm	107
96	163292 Modification Kit to Provide 8 Spaces Per Inch Horizontally	87	120	174043 Modification Kit to Provide Paper Feed Failure Indicator	108
97	154792 Modification Kit to Provide 12 Spaces Per Inch Horizontally	87	121	198394 Modification Kit to Provide Universal Contacts	109
98	Vertical Tabulation Modification Kits	88	122	176420 Modification Kit to Provide Selector with Timing Contacts	110
99	154770 Modification Kit to Provide Vertical Tabulation on Upper Case "J" and "Z" (Includes the 163535 Modification Kit in Figure 109)	89	123	154798 Modification Kit to Provide Superfold Friction Feed Paper Handling	111
100	154778 Modification Kit to Provide External Pulse Shift Feature (Continued on next page)	90	124	194092 Modification Kit to Provide Paper Motion Alarm	112
101	154778 Modification Kit to Provide External Pulse Shift Feature (Continued from preceding page)	91	125	194324 Modification Kit to Provide a Paper-Out Alarm Switch	113
102	154785 Modification Kit to Provide Universal Contacts	92	126	305035, 305036 and 307065 Modification Kits to Provide Improved Manual Platen Line Feed	114
103	157508 and 163180 Modification Kits to Provide Horizontal Tabulation (Continued on next page)	93		Notes of Explanation	115
104	157508 and 163180 Modification Kits to Provide Horizontal Tabulation (Continued from preceding page)	94		Notes of Explanation (Continued)	116
				Numerical Index	117



For Early Design, see Figure 3

FIGURE 1. LEFT SIDE FRAME MECHANISM



① Peculiar to 8 Level Units

For Early Design, see Figure 3

FIGURE 2. RIGHT SIDE FRAME MECHANISM

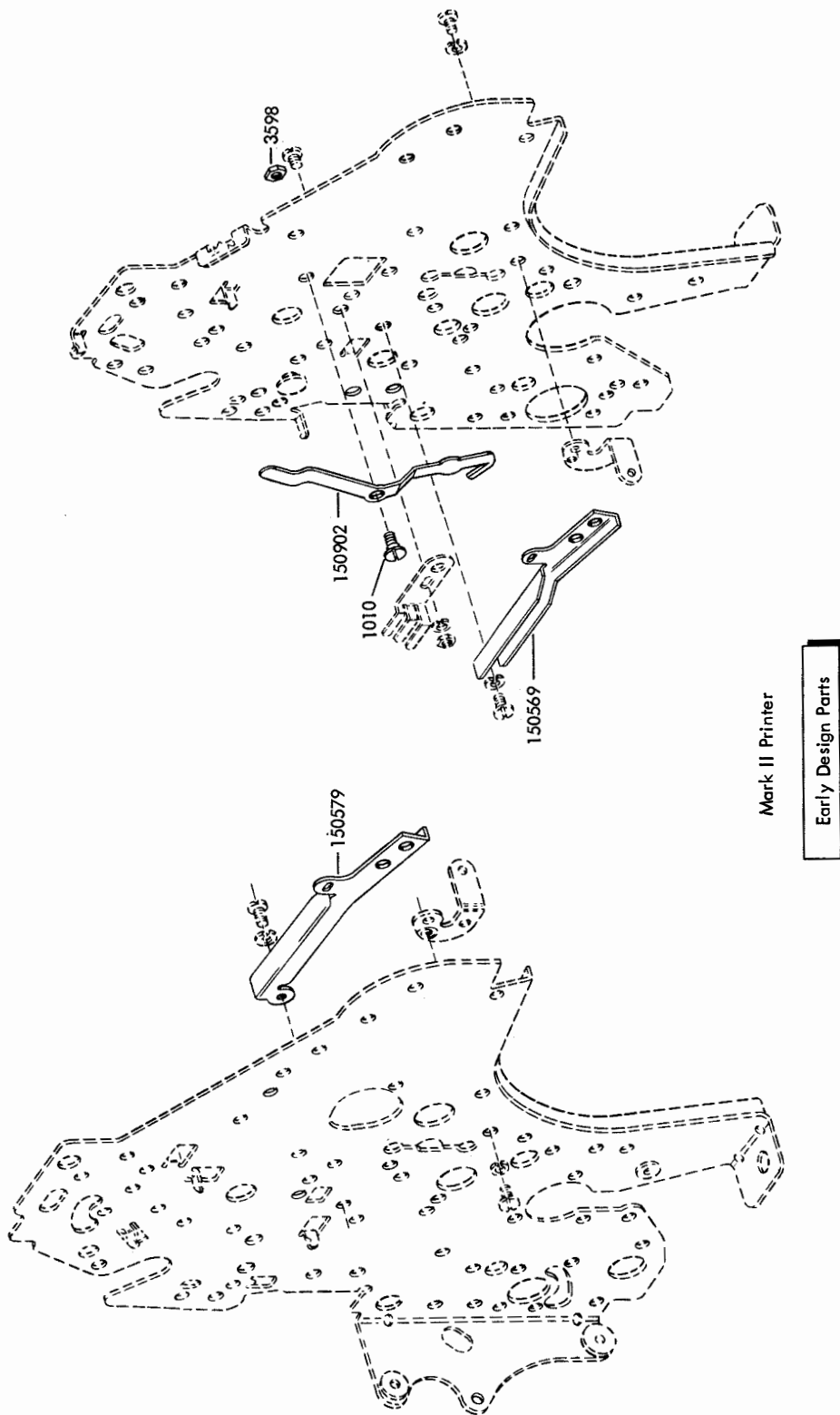


FIGURE 3. LEFT AND RIGHT SIDE FRAME MECHANISM

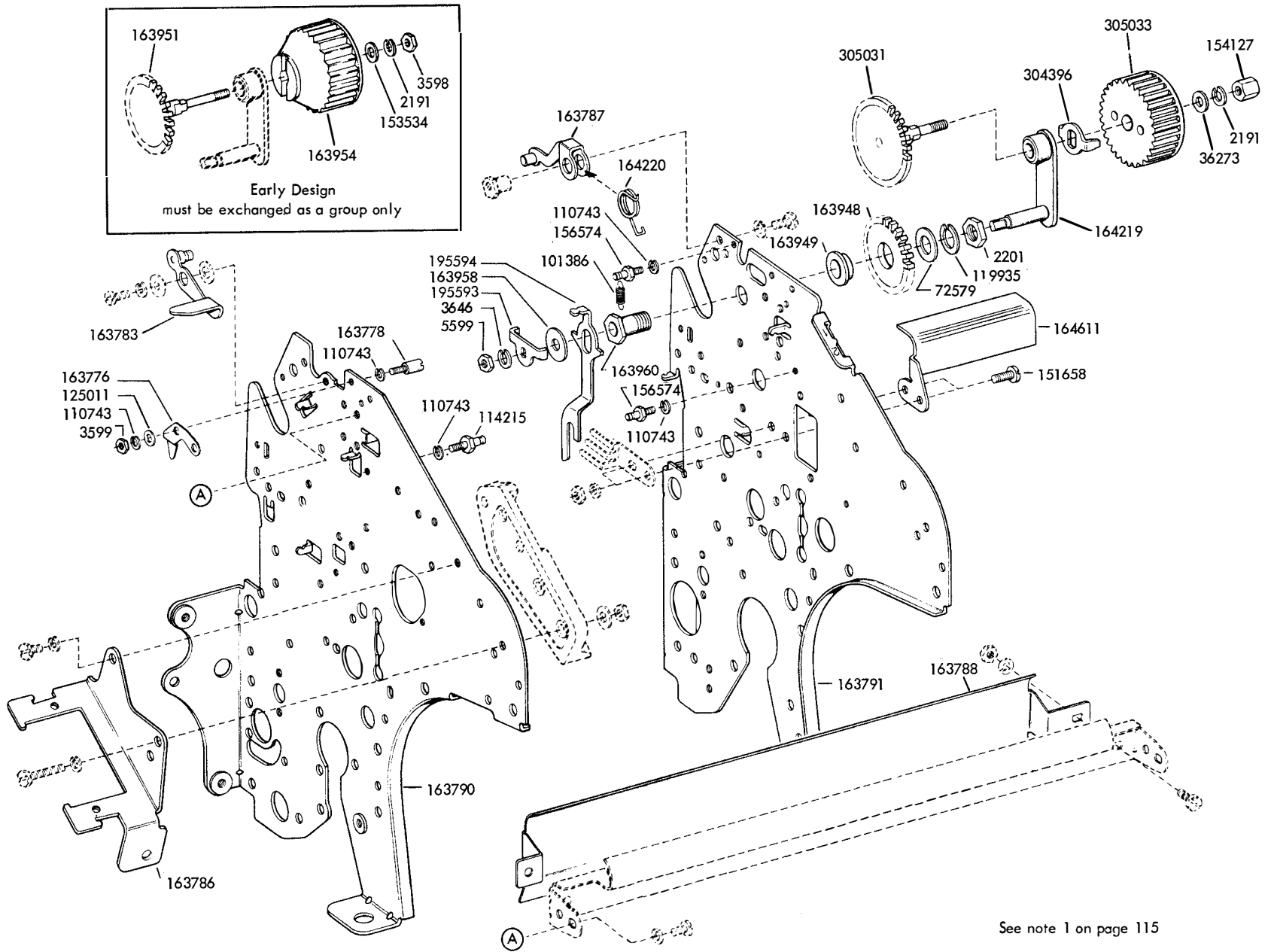


FIGURE 4. LEFT AND RIGHT SIDE FRAME MECHANISM

See note 1 on page 115

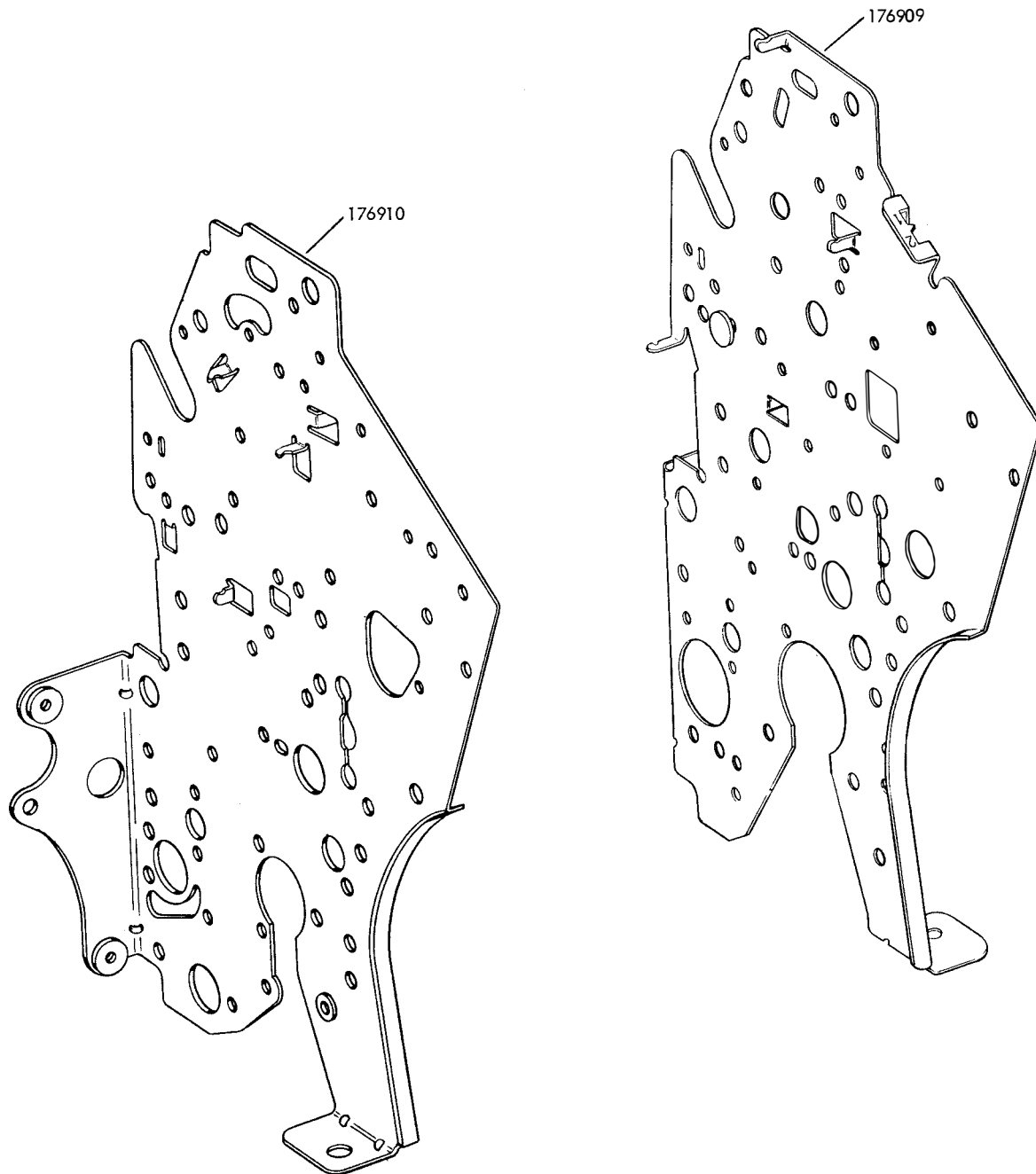
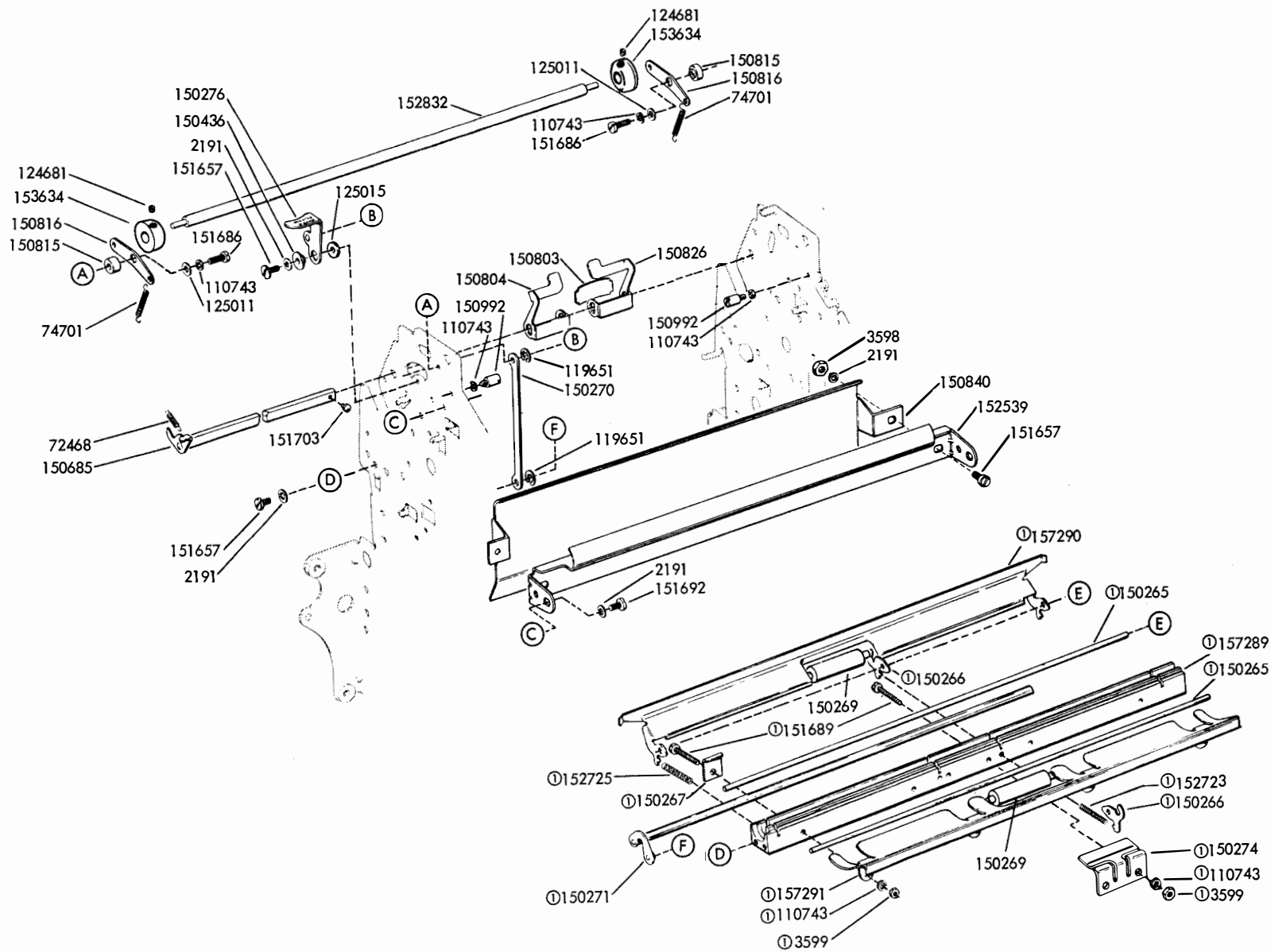
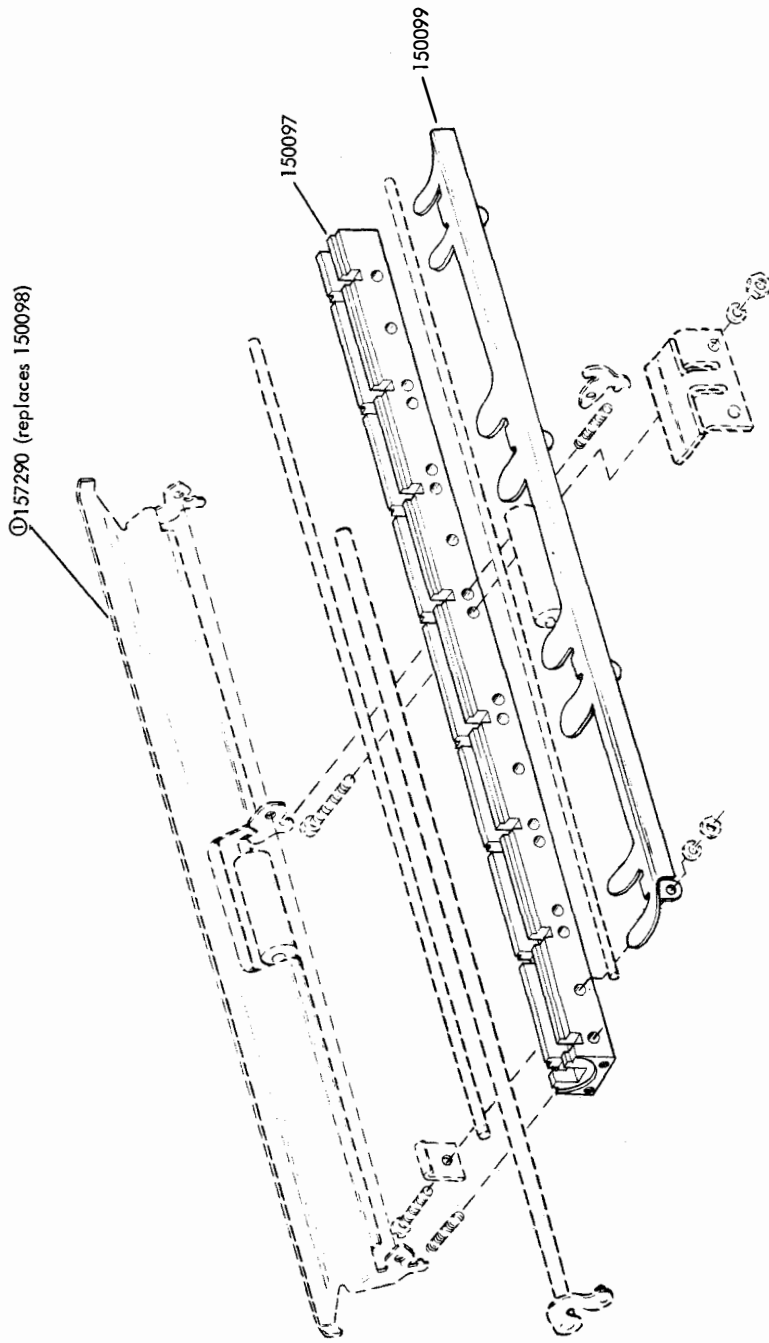


FIGURE 5. LEFT AND RIGHT SIDE FRAMES (WALL MOUNTED)

FIGURE 6. PRESSURE ROLLER MECHANISM



① 150096 Pressure Roller Assembly
For Early Design, see Figure 7

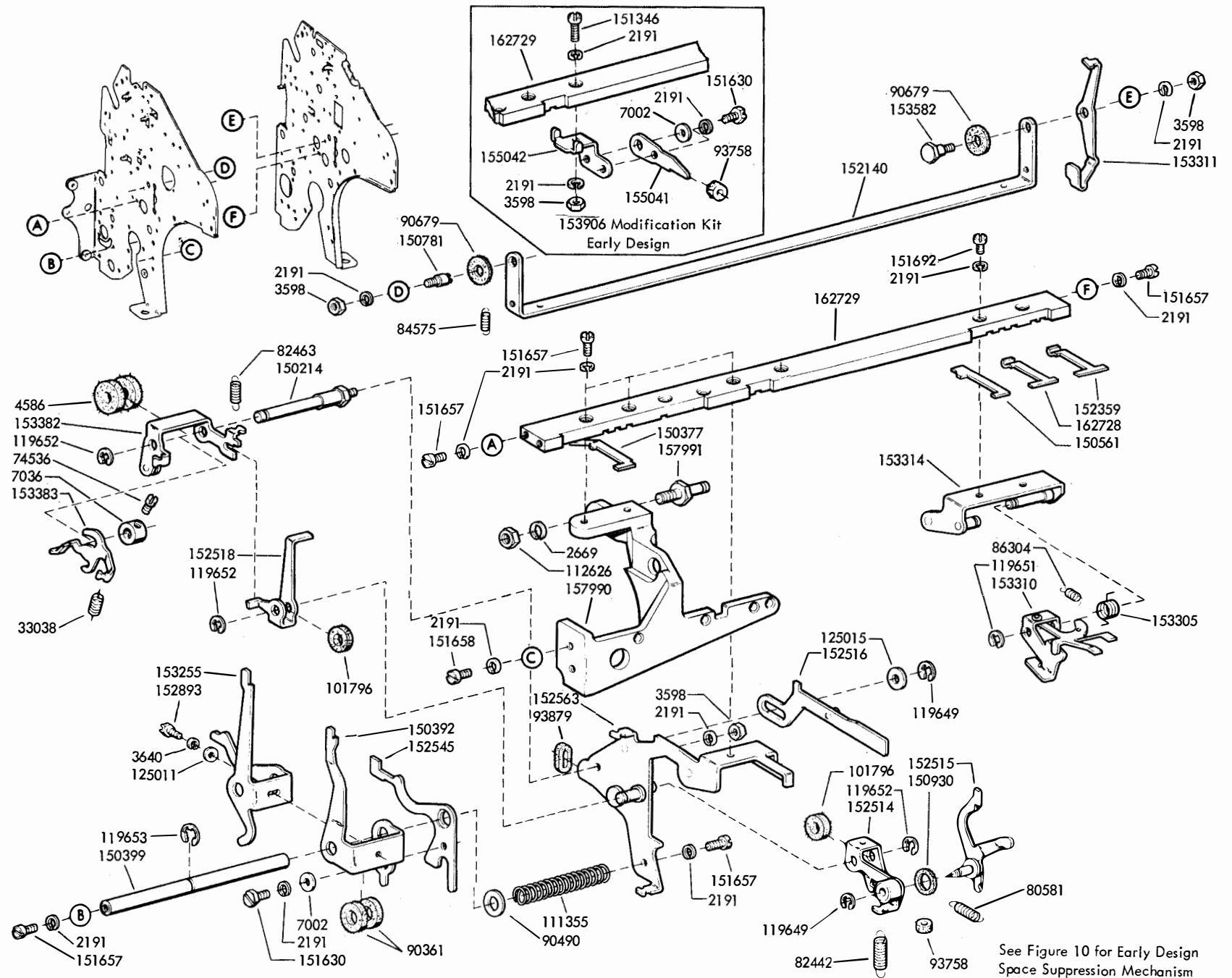


Early Design Parts

① See note 2 on page 115

FIGURE 7. PRESSURE ROLLER MECHANISM

FIGURE 8. SPACE SUPPRESSION MECHANISM



See Figure 10 for Early Design Space Suppression Mechanism

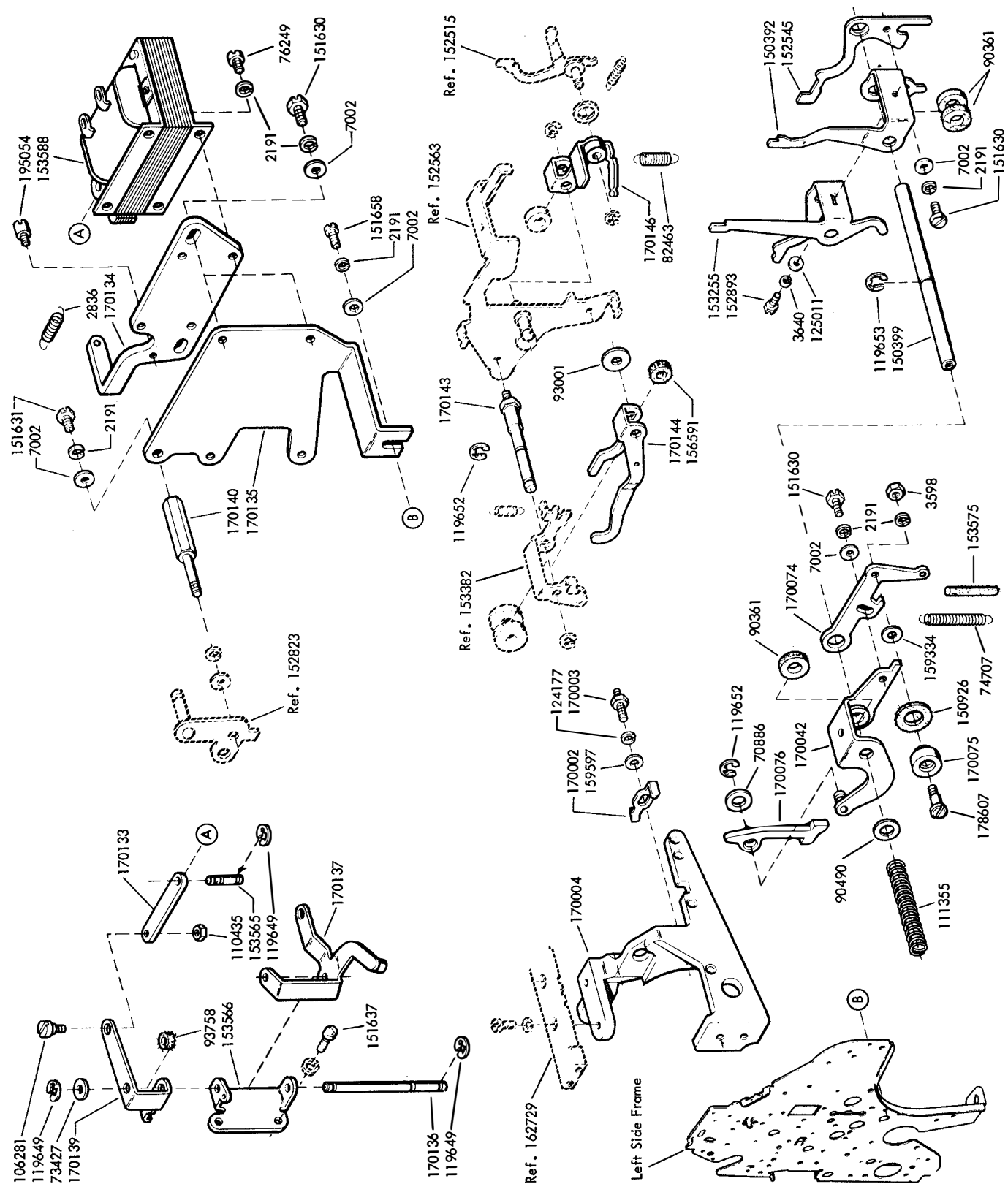


FIGURE 9. SPACE SUPPRESSION, STUNT SHIFT CONTROL AND CODE BAR SUPPRESSION MECHANISM (8 LEVEL)

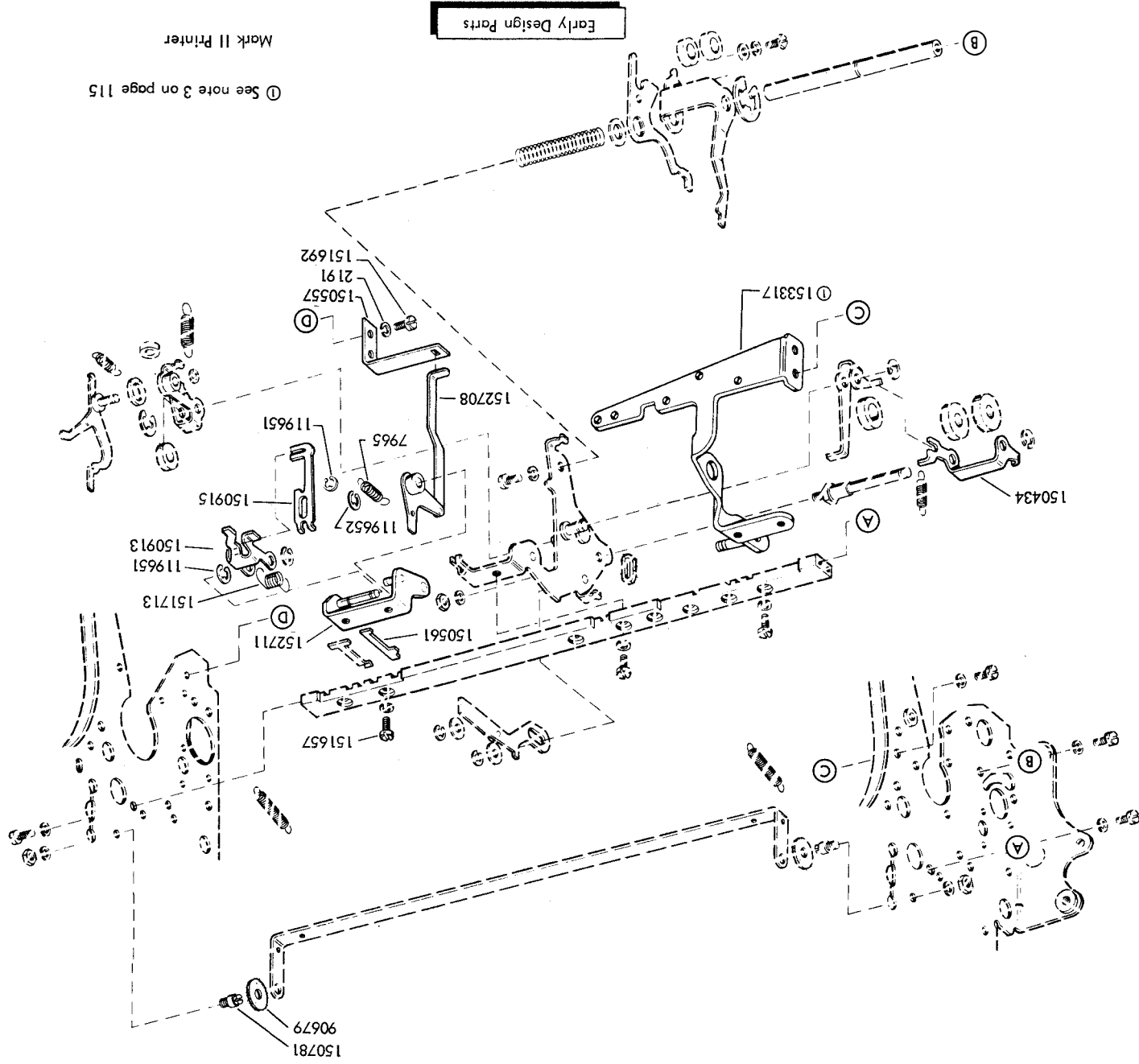
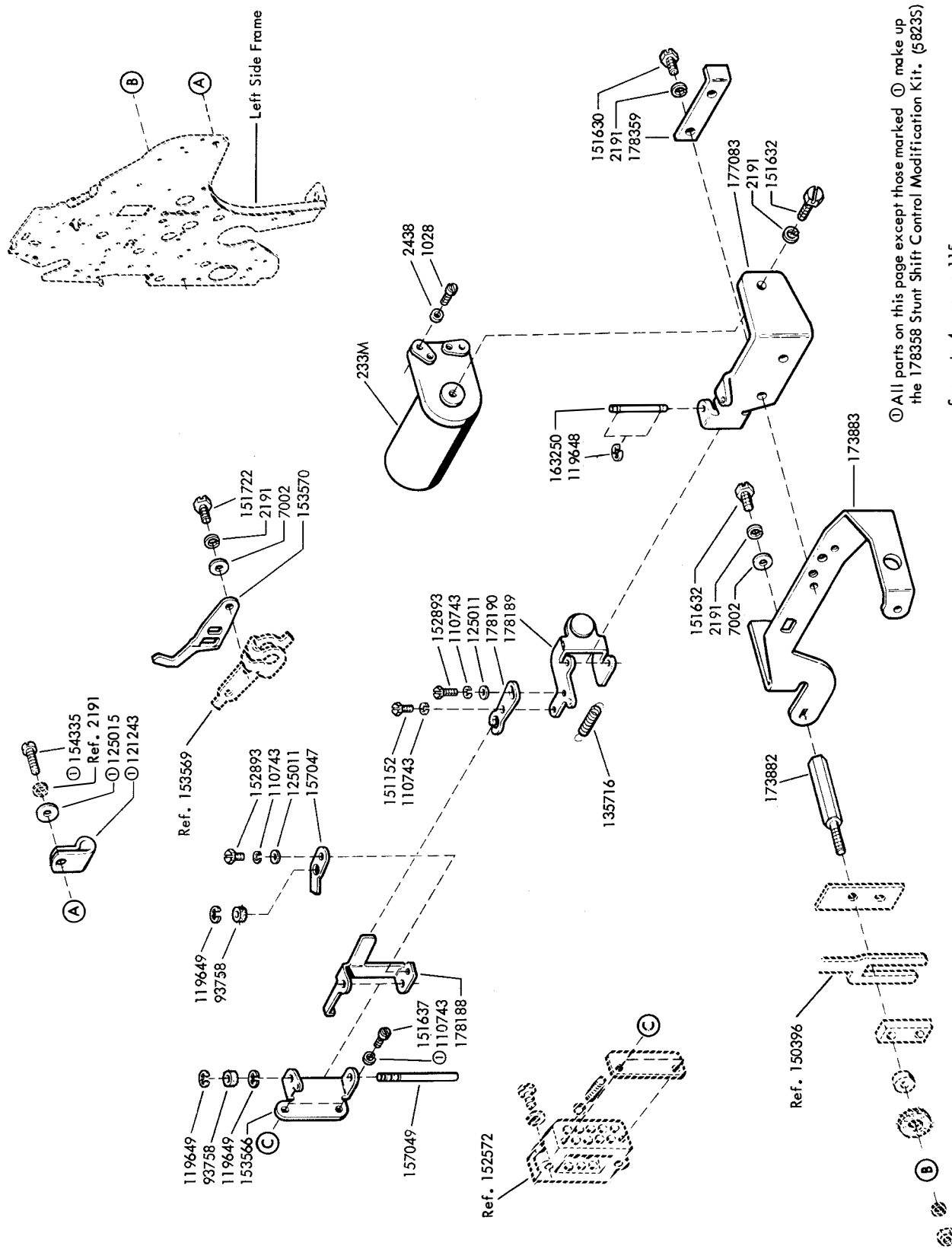


FIGURE 10. SPACE SUPPRESSION MECHANISM



Ⓛ All parts on this page except those marked Ⓛ make up the 178358 Stunt Shift Control Modification Kit. (58235)

See note 4 on page 115

FIGURE 11. PRINT SUPPRESSION MECHANISM

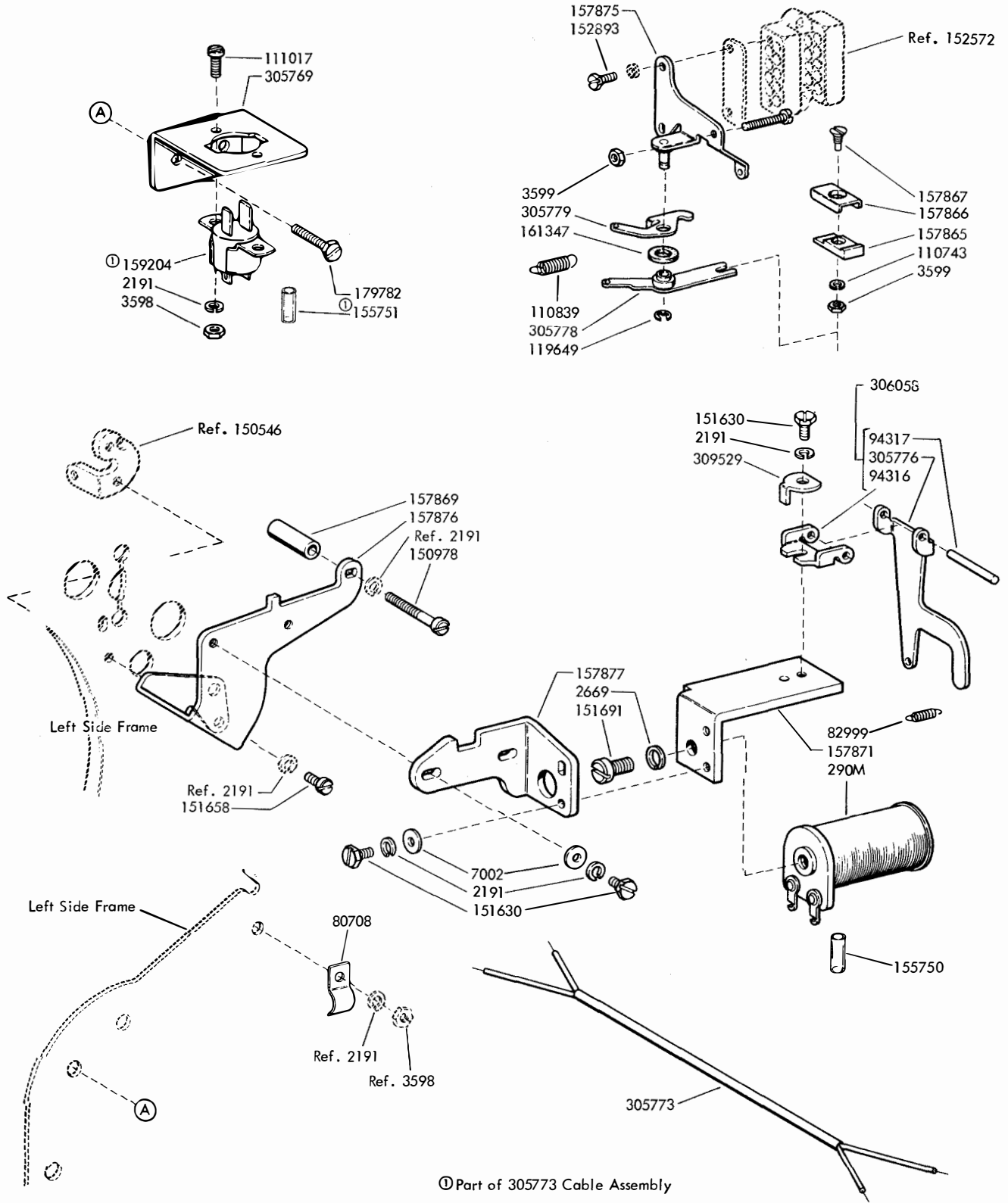
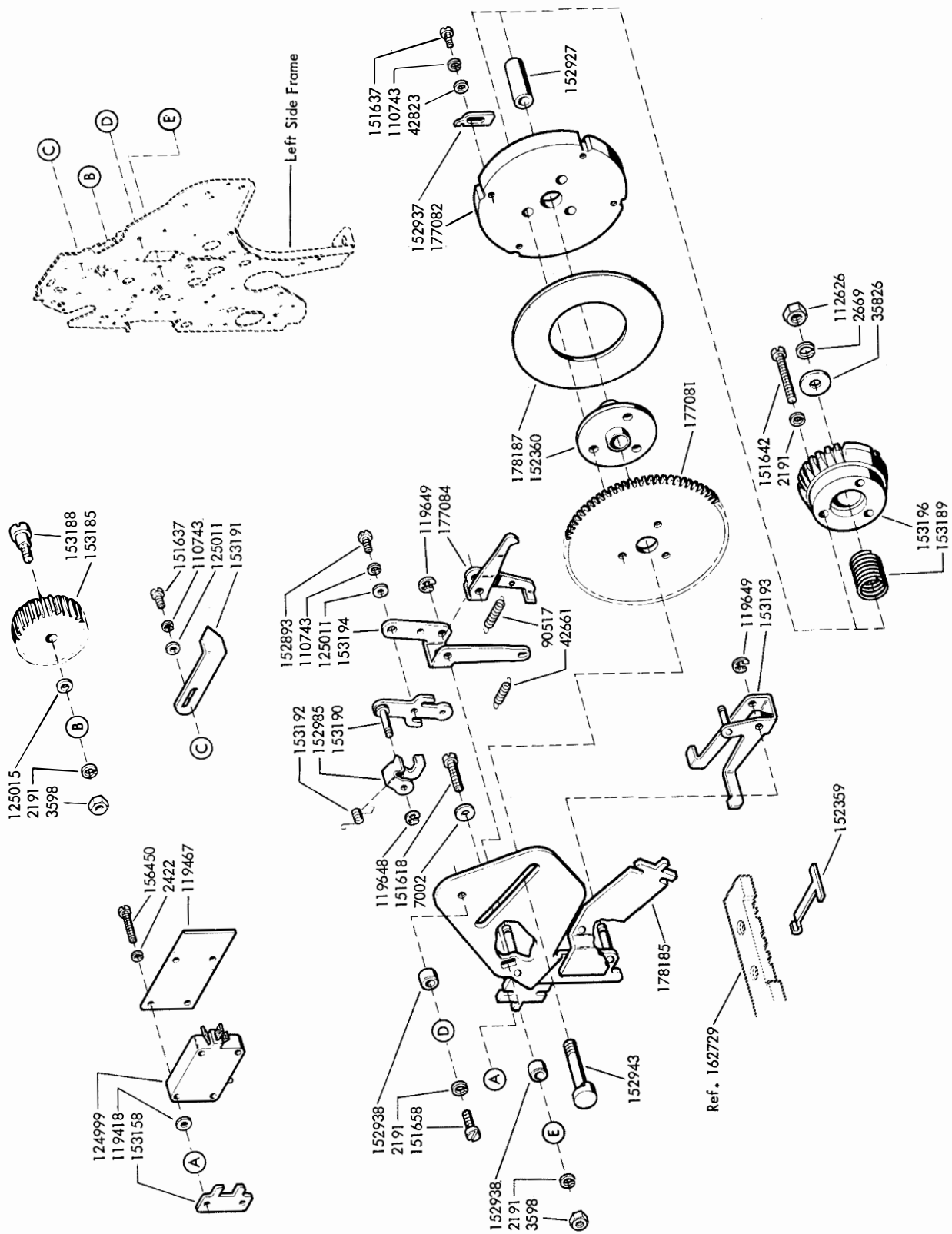
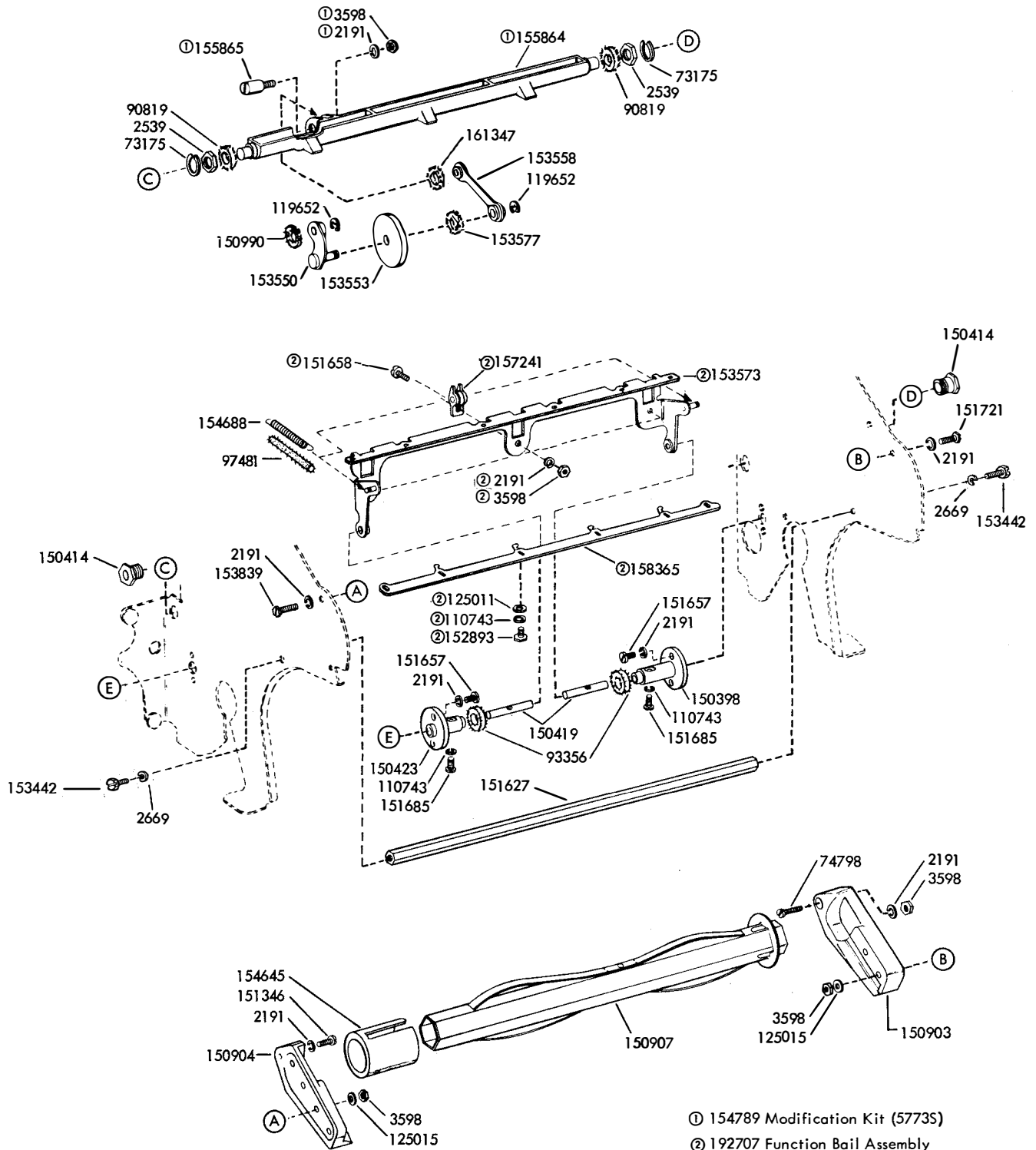


FIGURE 12. ELECTRICALLY OPERATED LETTERS SHIFT MECHANISM



See note 4 on page 115

FIGURE 13. PAGE FEED-OUT AND FORM STARTER MECHANISM

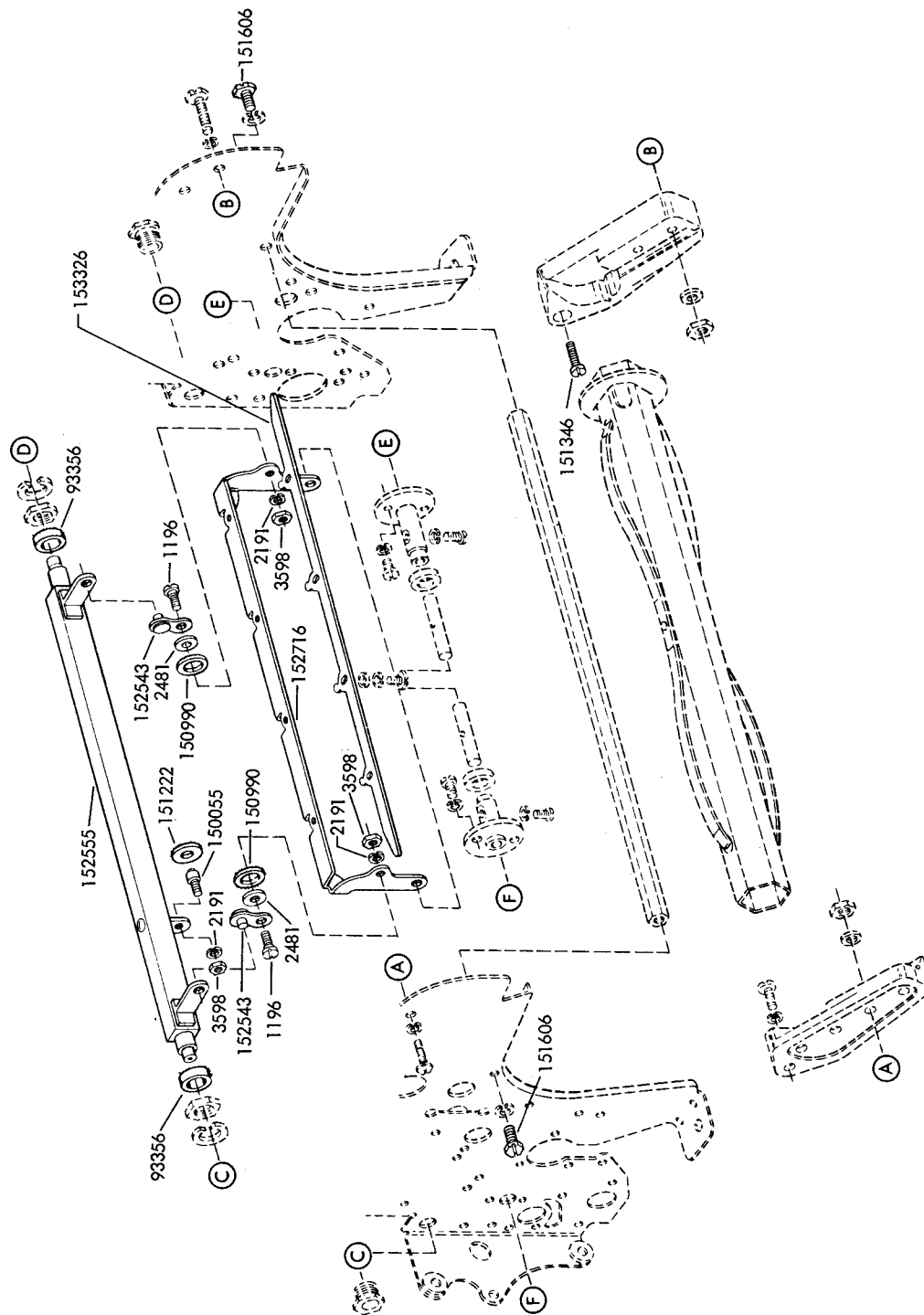


① 154789 Modification Kit (5773S)

② 192707 Function Bail Assembly

For Early Design, see Figures 15 and 16

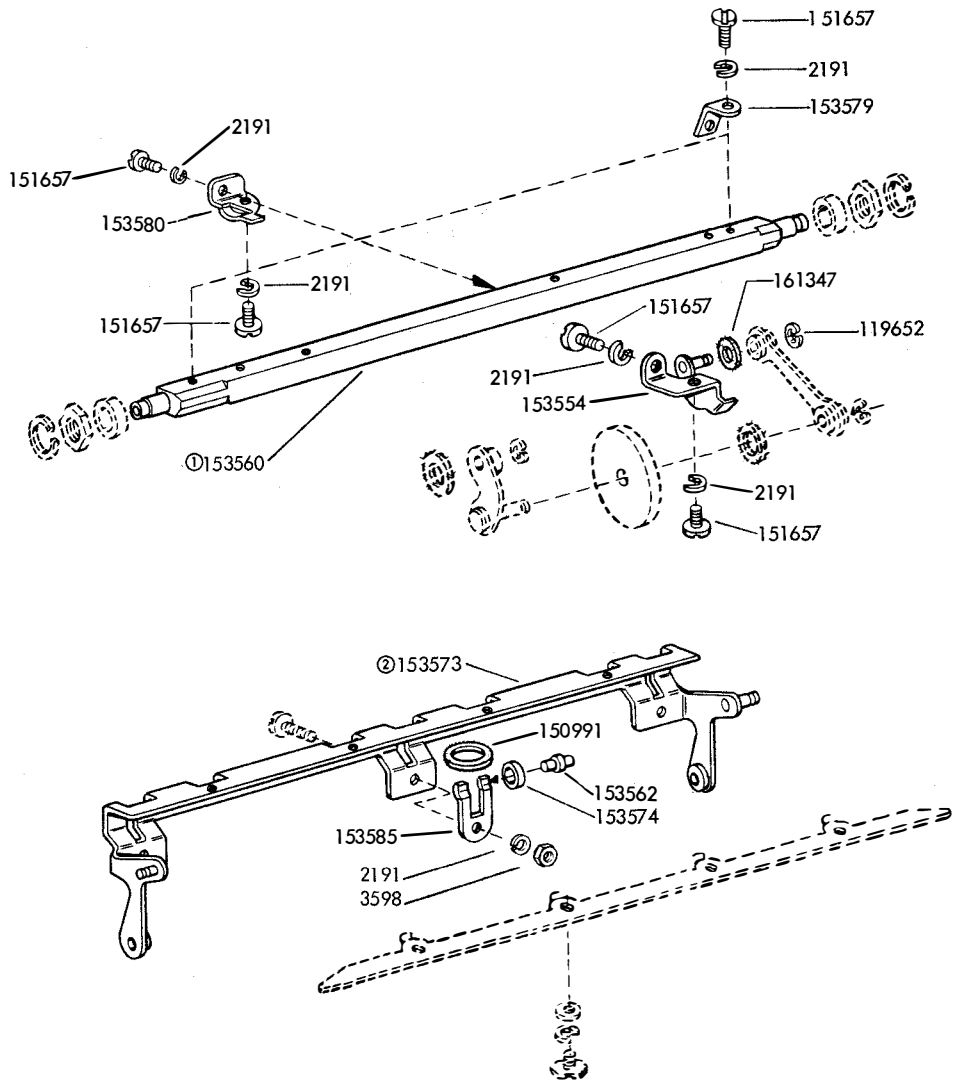
FIGURE 14. PAPER SPINDLE AND RESET BAIL MECHANISM



Mark II Printer

Early Design Parts

FIGURE 15. PAPER SPINDLE AND RESET BAIL MECHANISM



Early Design Parts

- ① See note 5 on page 115
- ② See note 6 on page 115

FIGURE 16. RESET BAIL MECHANISM

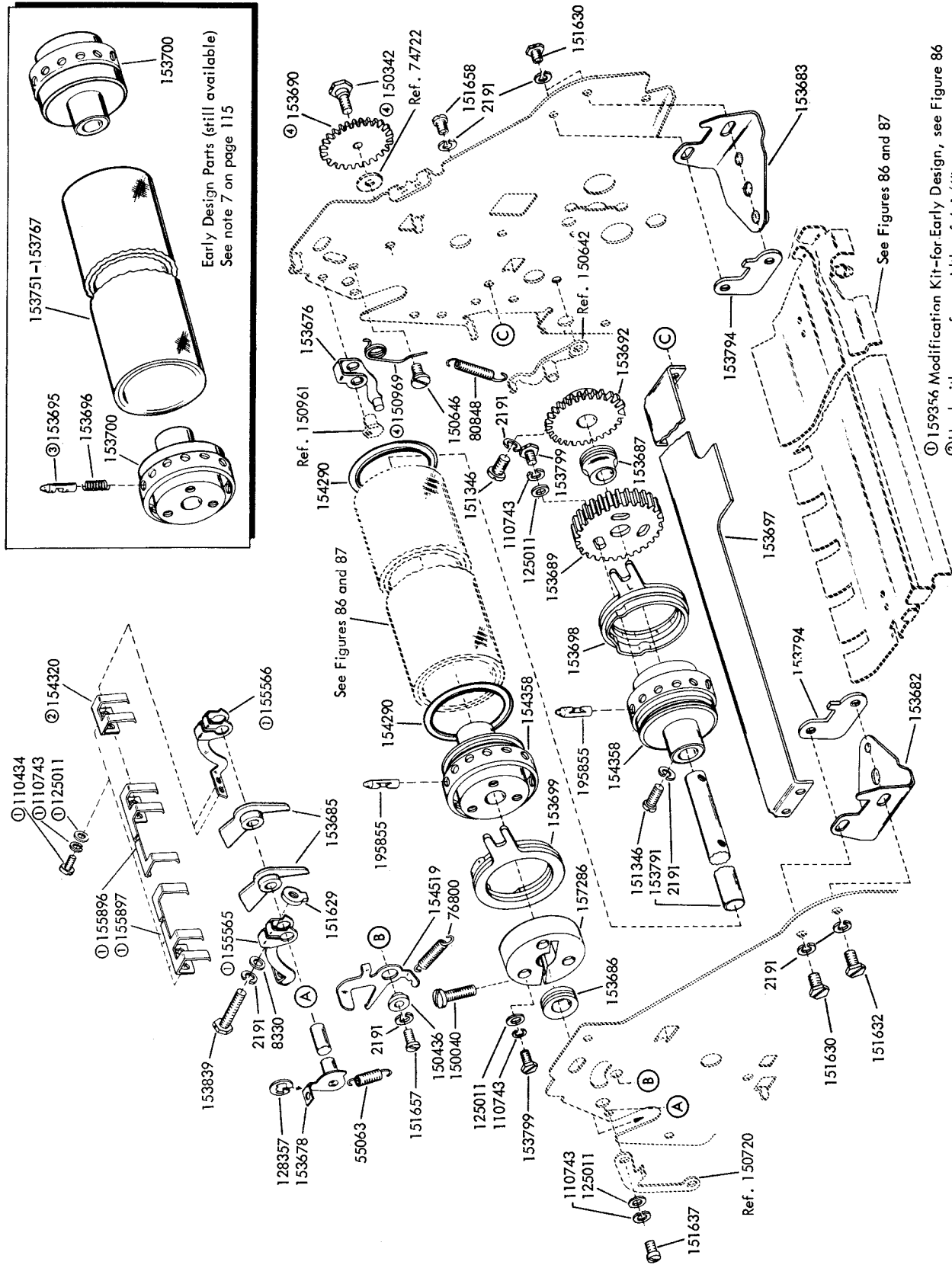
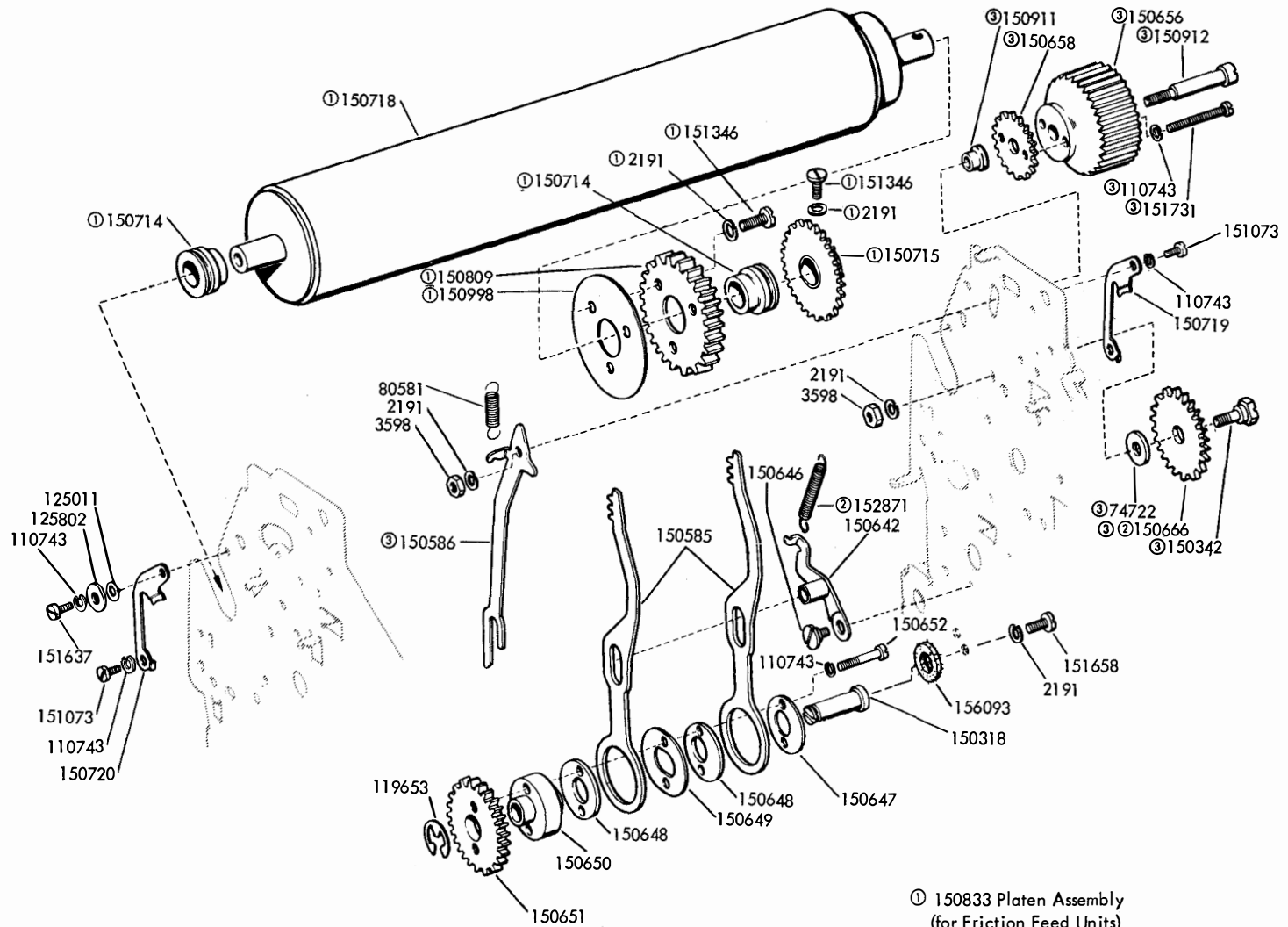


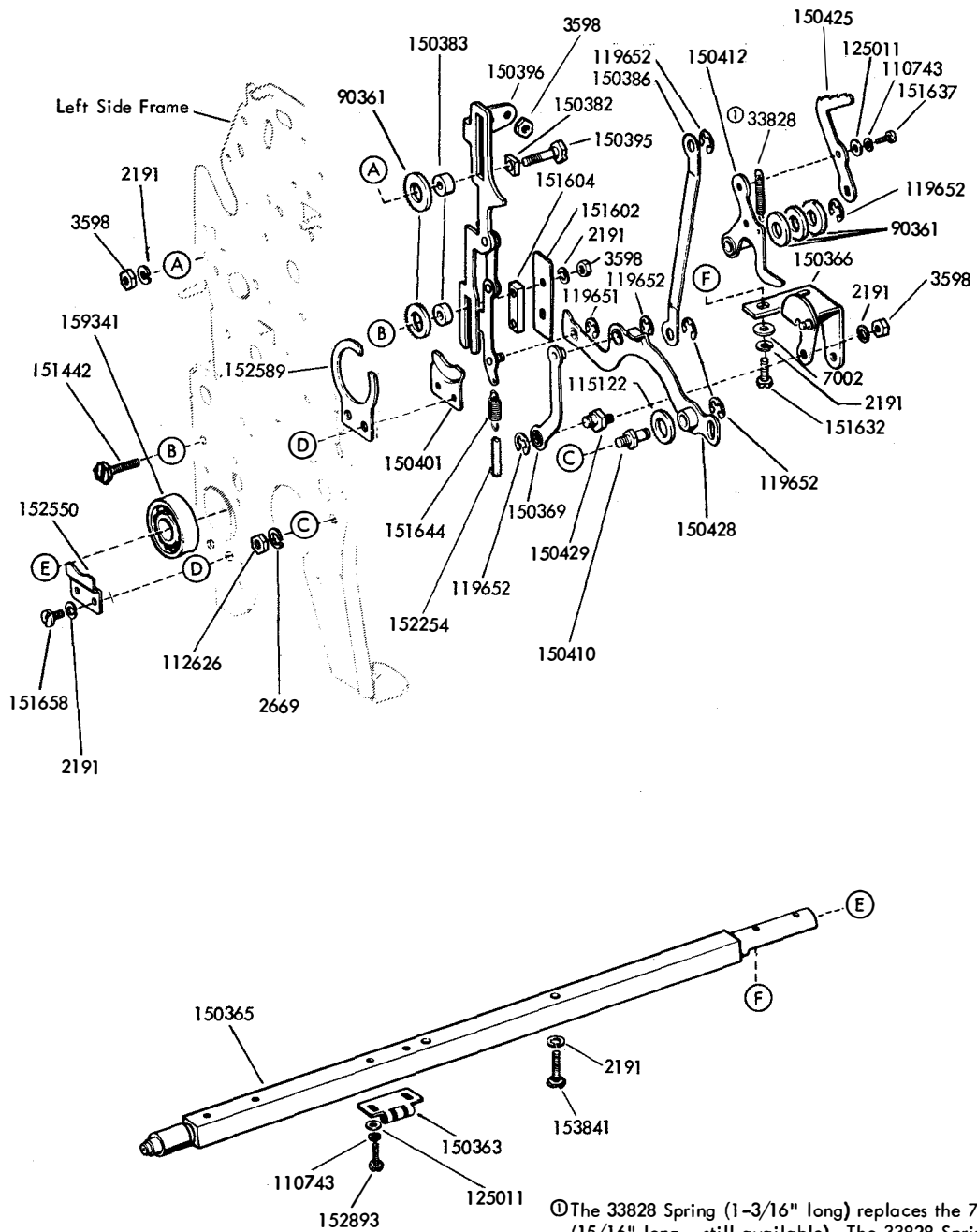
FIGURE 17. SPROCKET FEED MECHANISM

- ① 159356 Modification Kit-for Early Design, see Figure 86
- ② Used with paper form widths of 4-1/4" or narrower
- ③ The 153695 Pin (steel) is no longer available. It has been replaced with a 195855 Pin (plastic)
- ④ For Late Design, see 305035 Modification Kit in Figure 126

FIGURE 18. LINE FEED AND PLATEN MECHANISM



- ① 150833 Platen Assembly
(for Friction Feed Units)
- ② Peculiar to Friction Feed Units
- ③ For Late Design, see 305036 Modification
Kit in Figure 126



① The 33828 Spring (1-3/16" long) replaces the 76379 Spring (15/16" long - still available). The 33828 Spring and the 76379 Spring are not individually replaceable. They must be replaced in sets of two for the Left and Right Side Linkage Mechanisms. (see Figure 21)

For Early Design, see Figure 20

FIGURE 19. LEFT SIDE LINKAGE AND ROCKER SHAFT MECHANISM

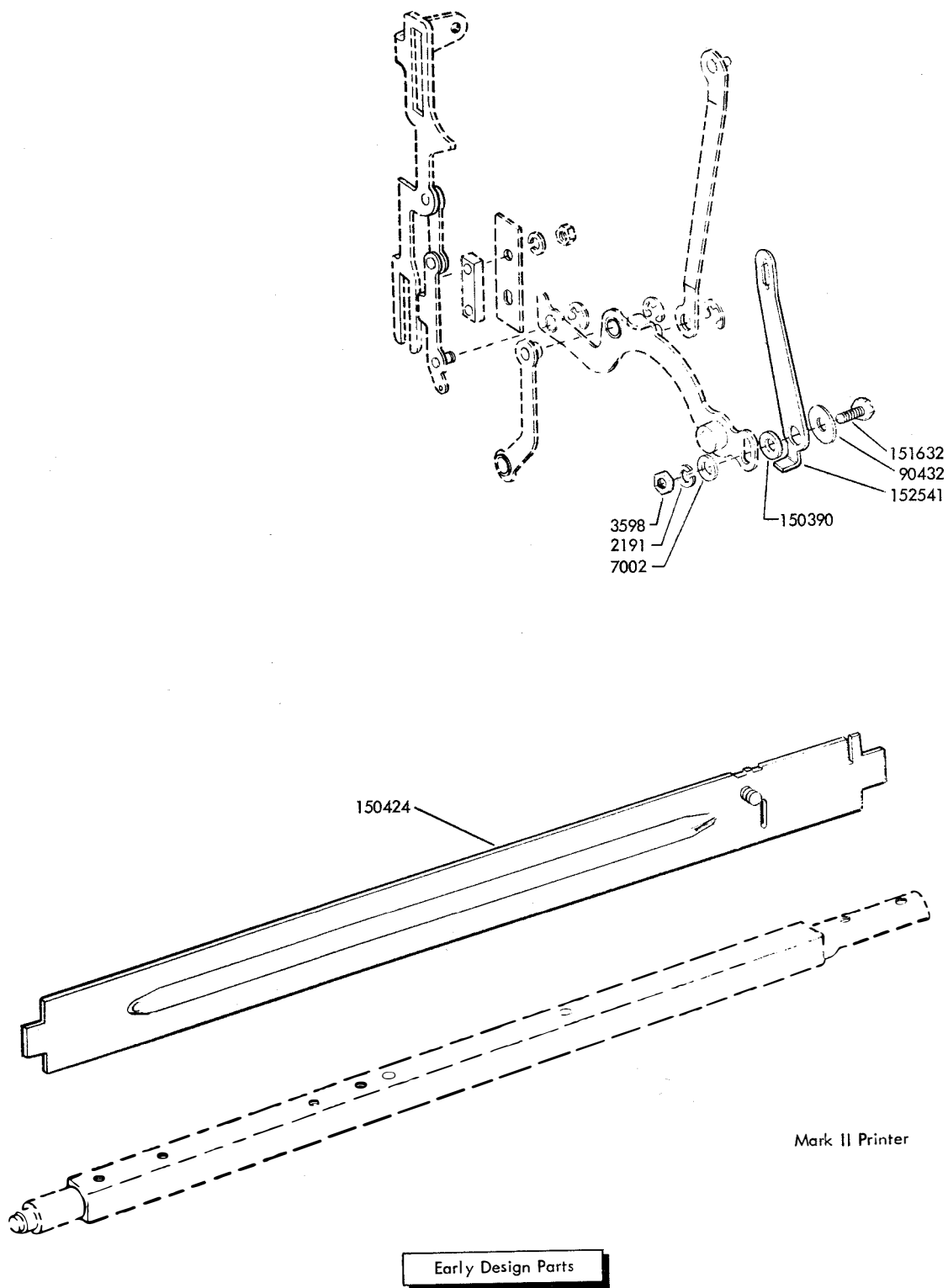
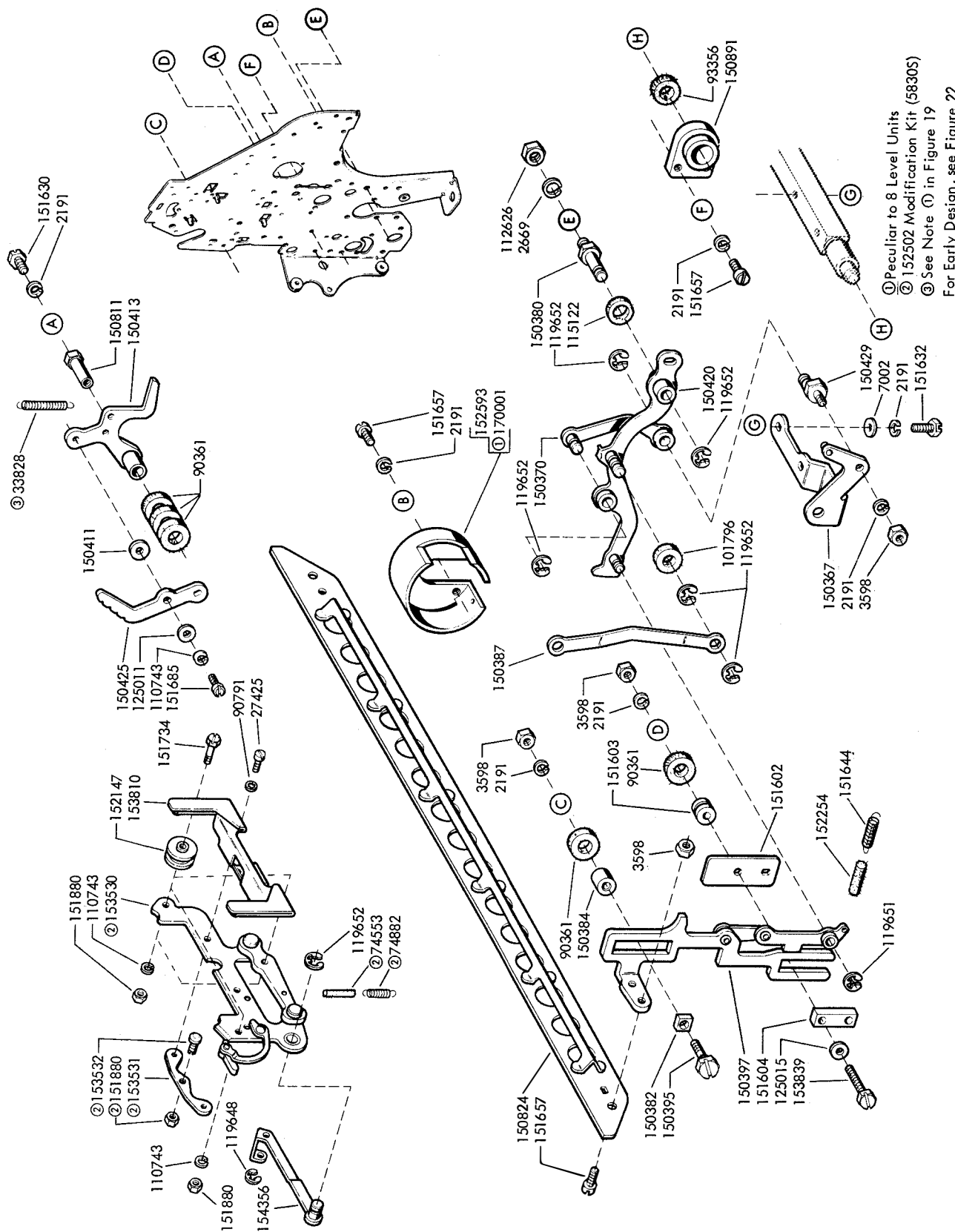
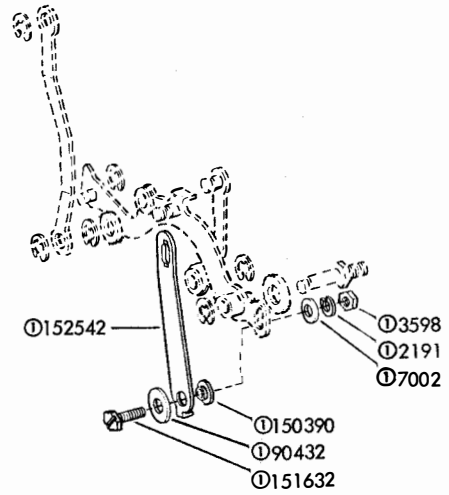
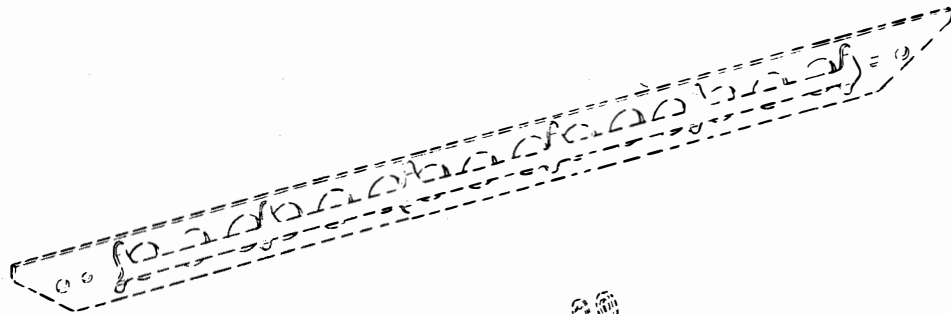
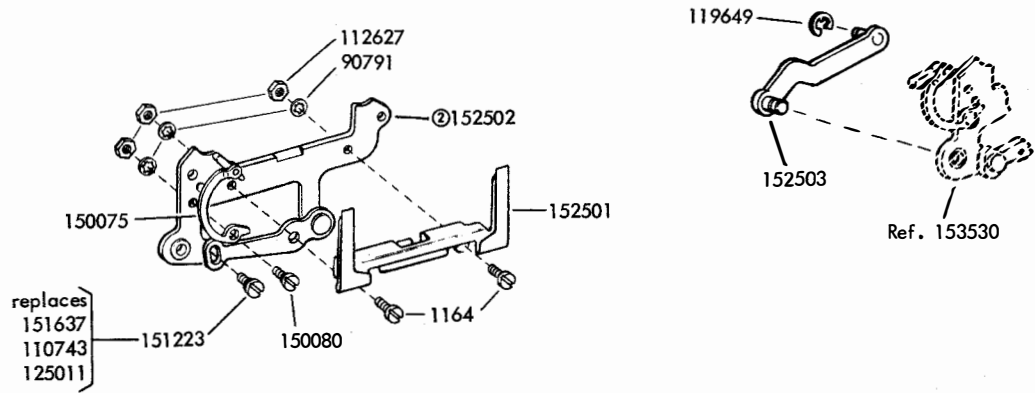


FIGURE 20. LEFT SIDE LINKAGE AND STRIPPER BLADE MECHANISM



① Peculiar to 8 Level Units
 ② 152502 Modification Kit (58305)
 ③ See Note ① in Figure 19
 For Early Design, see Figure 22

FIGURE 21. RIGHT SIDE LINKAGE AND TYPE BOX CARRIAGE MECHANISM



Early Design Parts

① Mark II Printer
 ② See note 8 on page 115

FIGURE 22. RIGHT SIDE LINKAGE AND TYPE BOX CARRIAGE MECHANISM

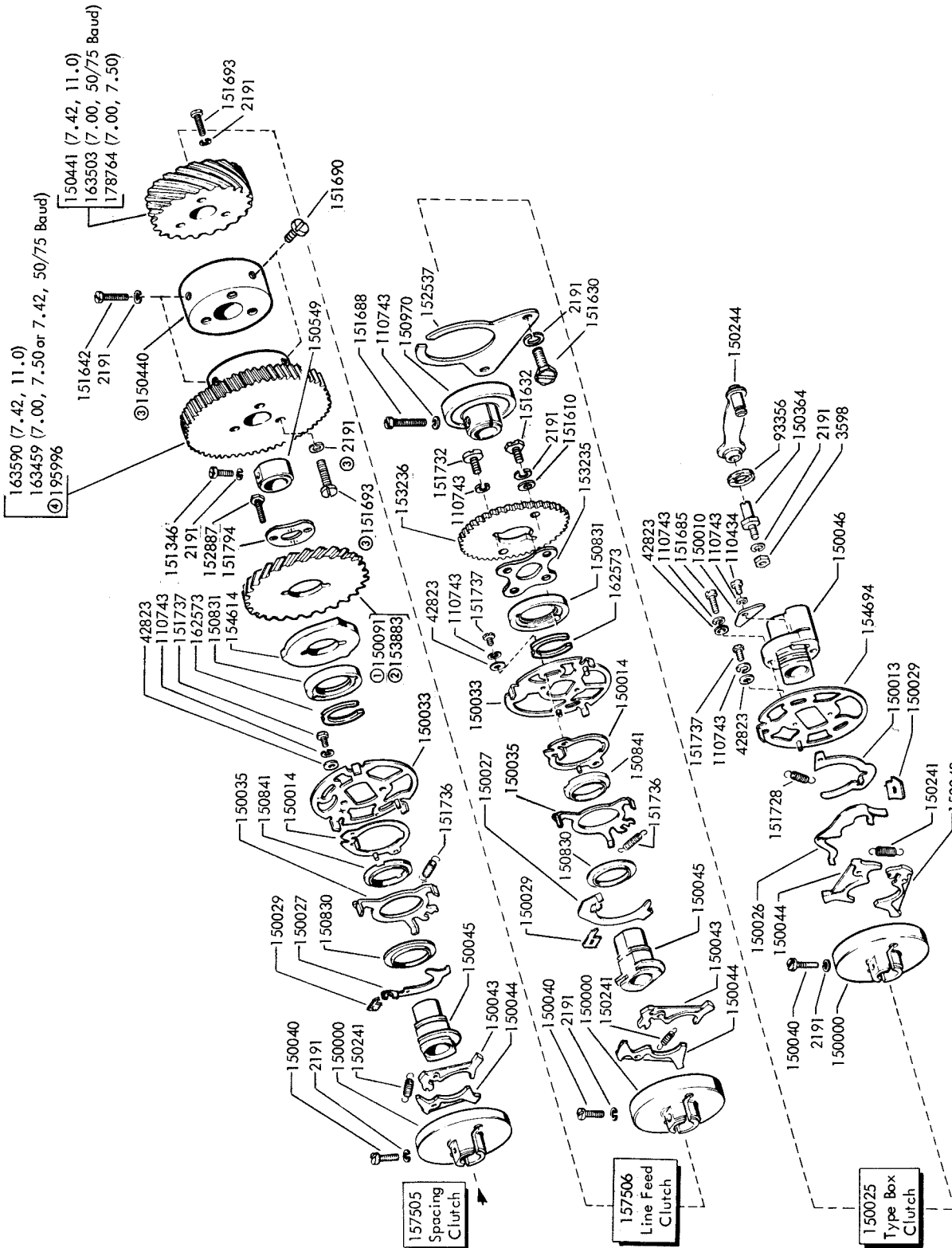
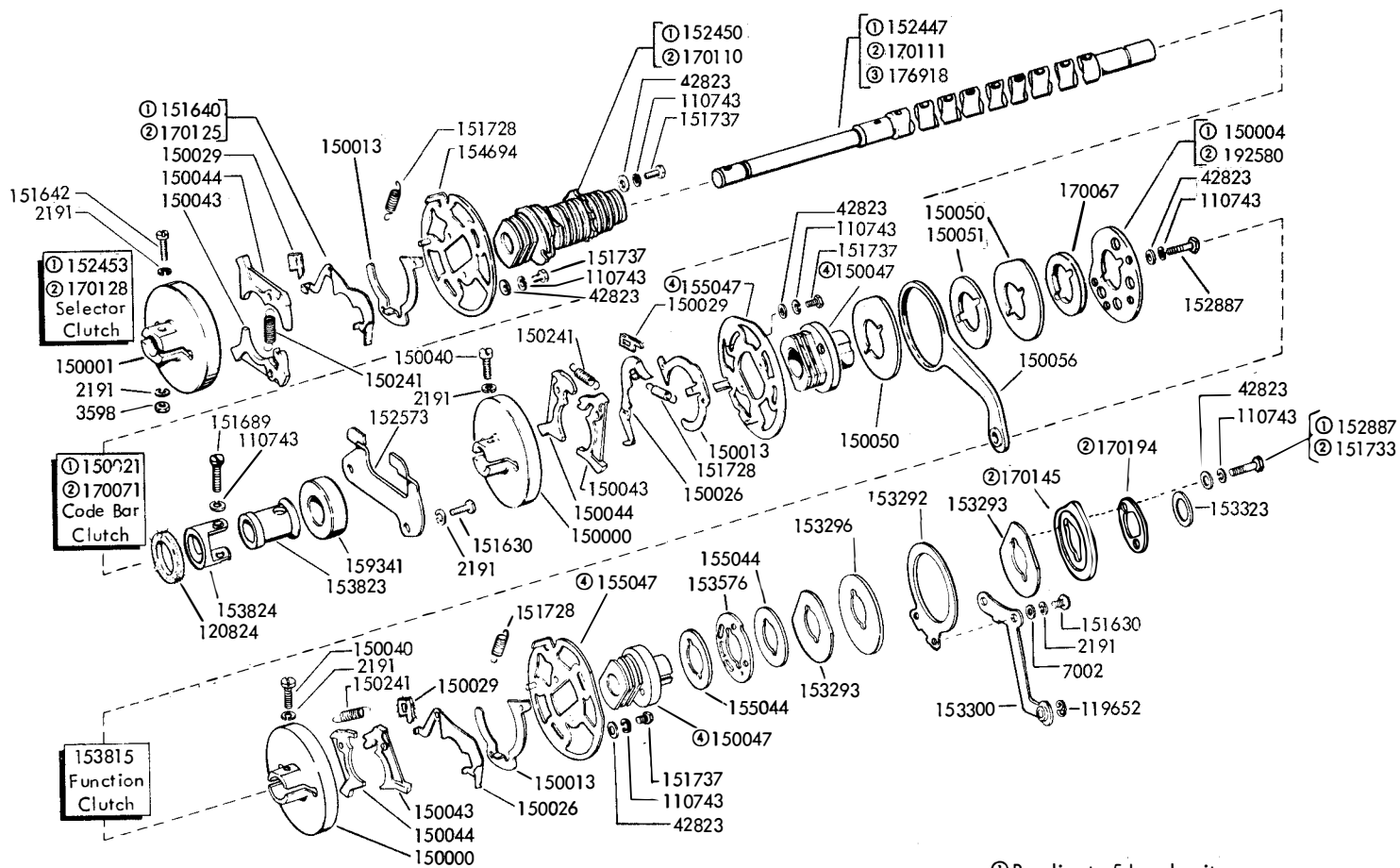


FIGURE 23. MAIN SHAFT MECHANISM

- ① 10 characters per inch
- ② 5 characters per inch
- ③ Used when the Driven Gear does not have a hub
- ④ Peculiar to Wall Mounted Units (7.42)

For Early Design, see Figure 25

FIGURE 24. MAIN SHAFT MECHANISM



- ① Peculiar to 5 Level units
- ② Peculiar to 8 Level units
- ③ Peculiar to Wall Mounted units
- ④ When replacing an Early Design 155047 Disk without hubs with a Late Design Disk with hubs, a Late Design 150047 Bearing with countersunk mounting holes should also be used.

For Early Design, see Figure 25

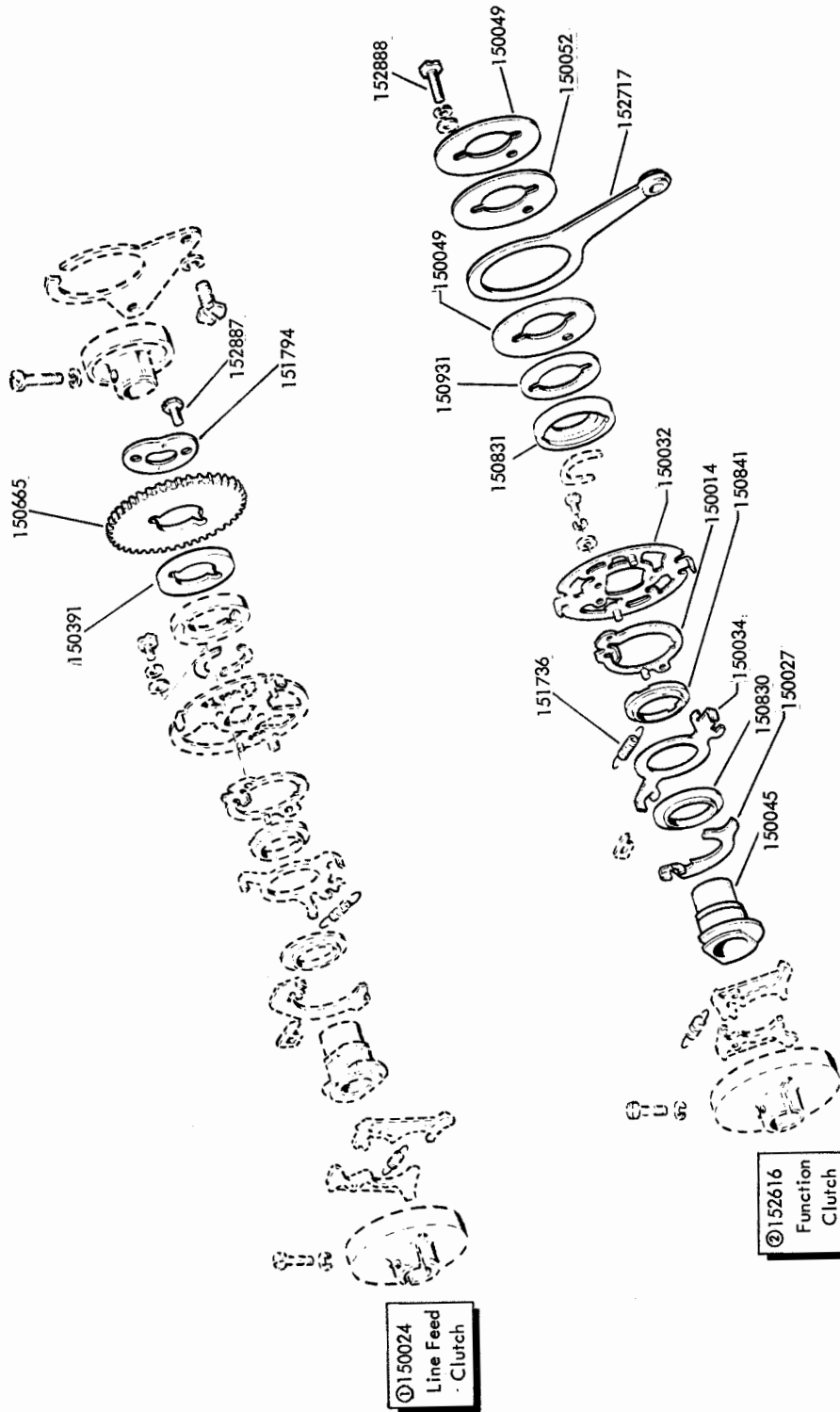
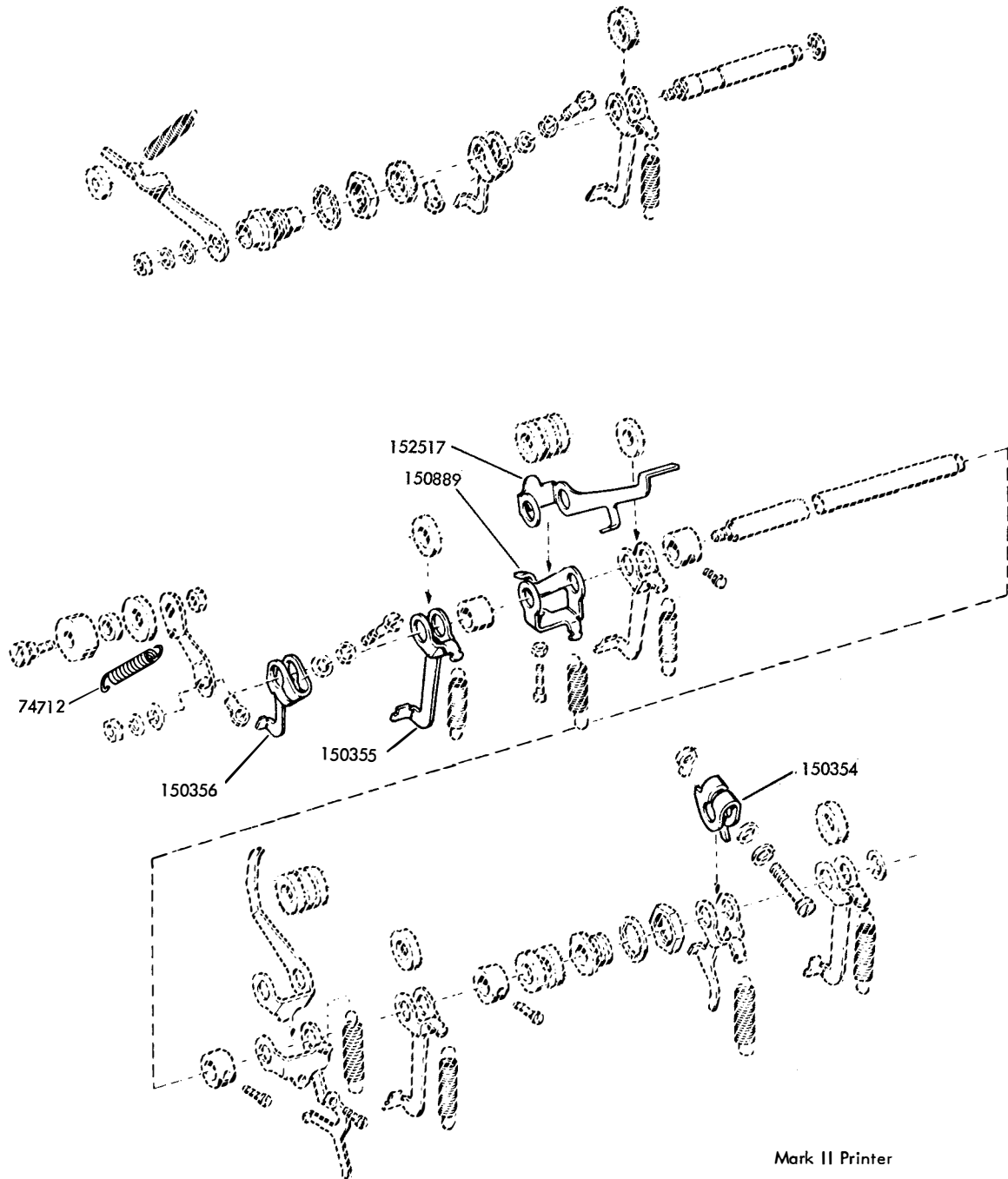


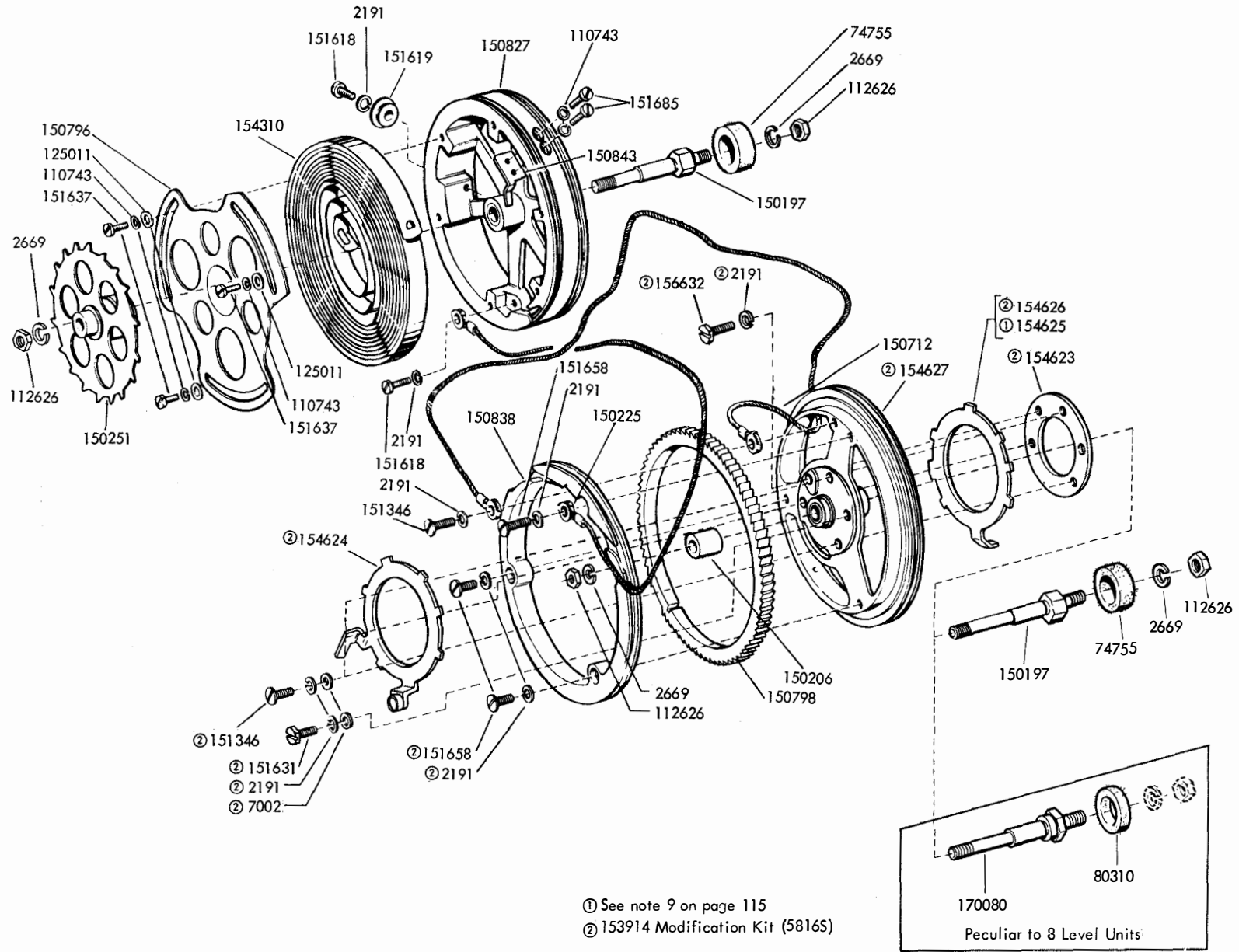
FIGURE 25. LINE FEED CLUTCH AND FUNCTION CLUTCH MECHANISM



Early Design Parts

FIGURE 27. TRIP SHAFT MECHANISM

FIGURE 28. CARRIAGE RETURN AND SPACING DRUM MECHANISM



For Early Design, see Figure 29

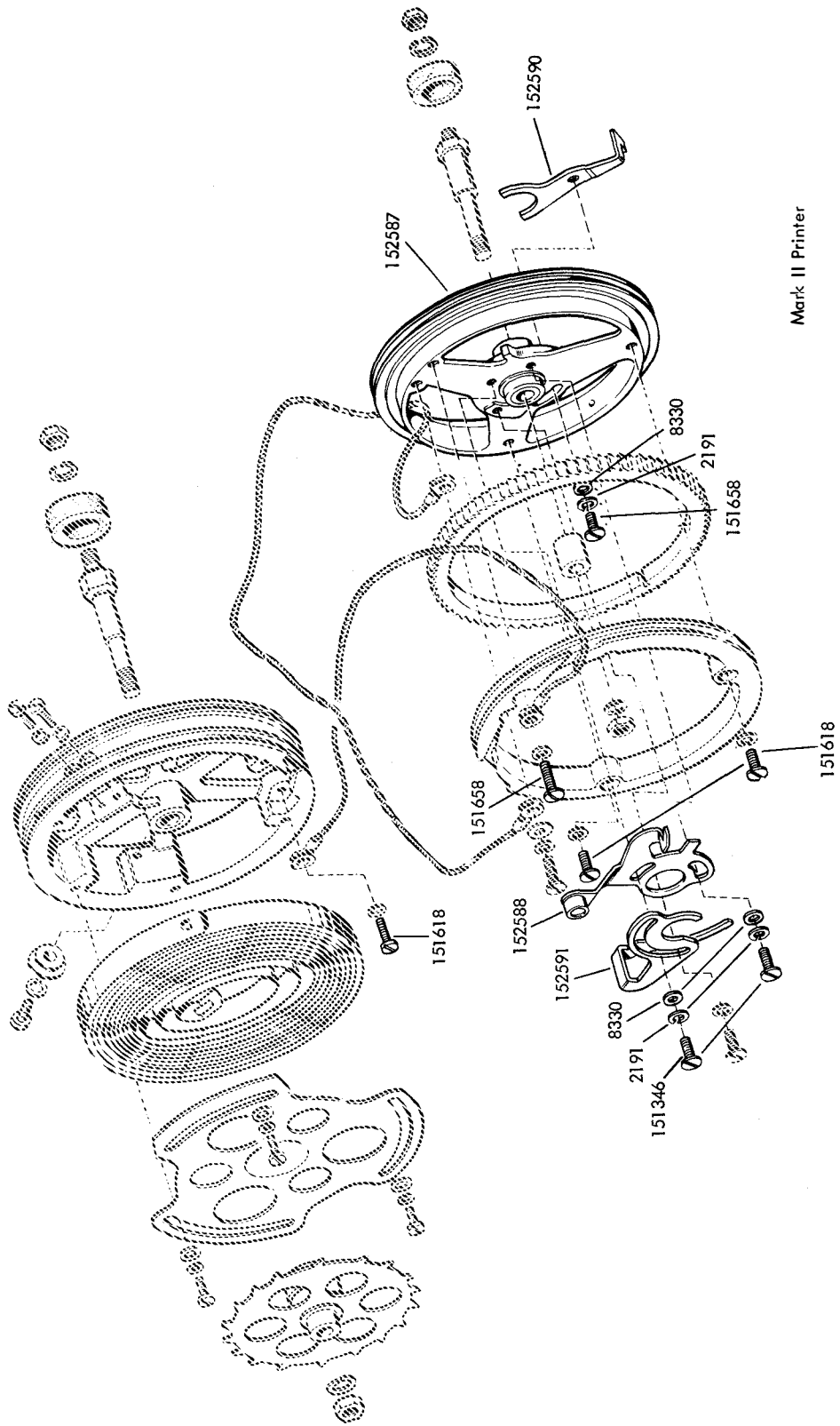
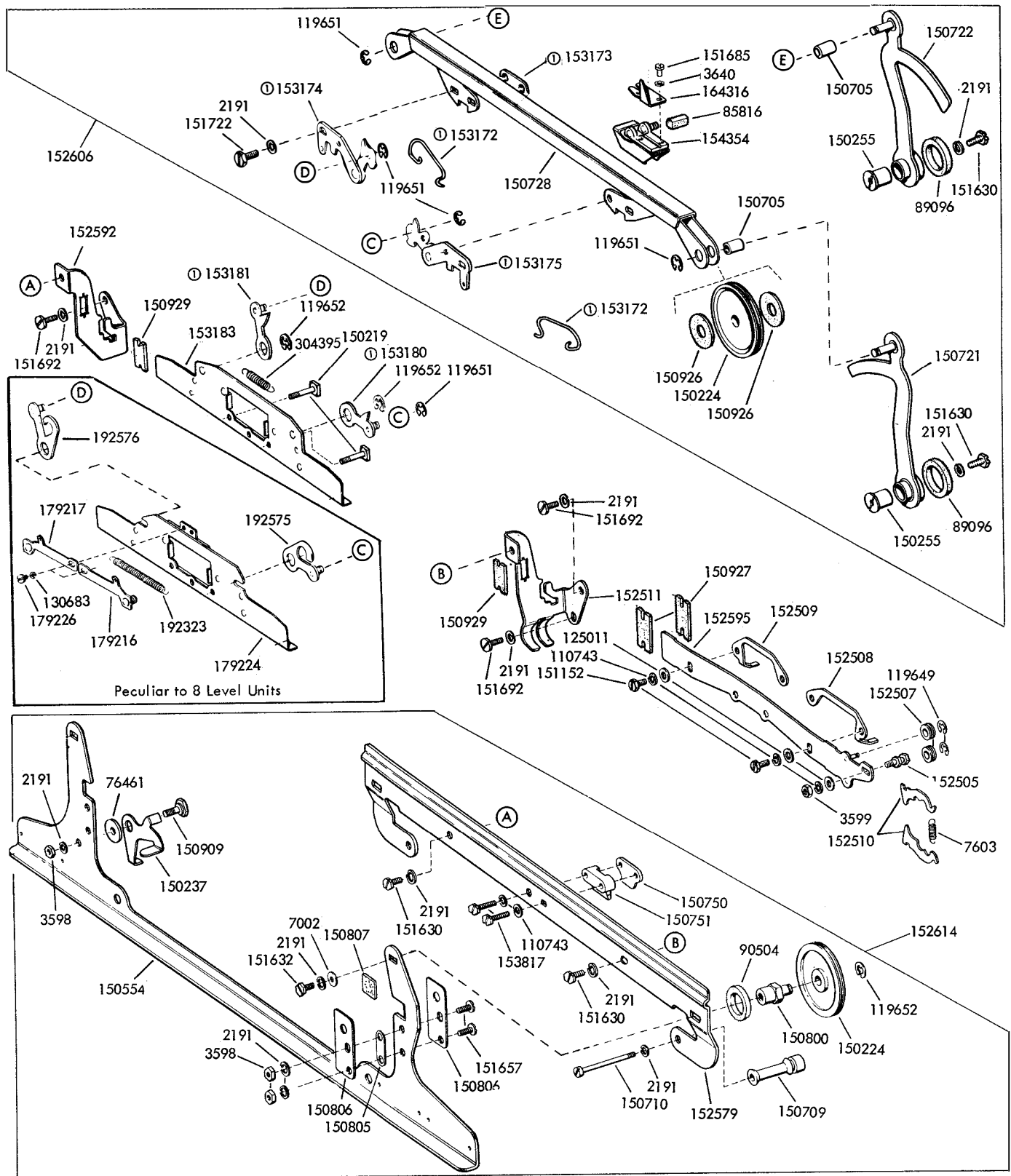
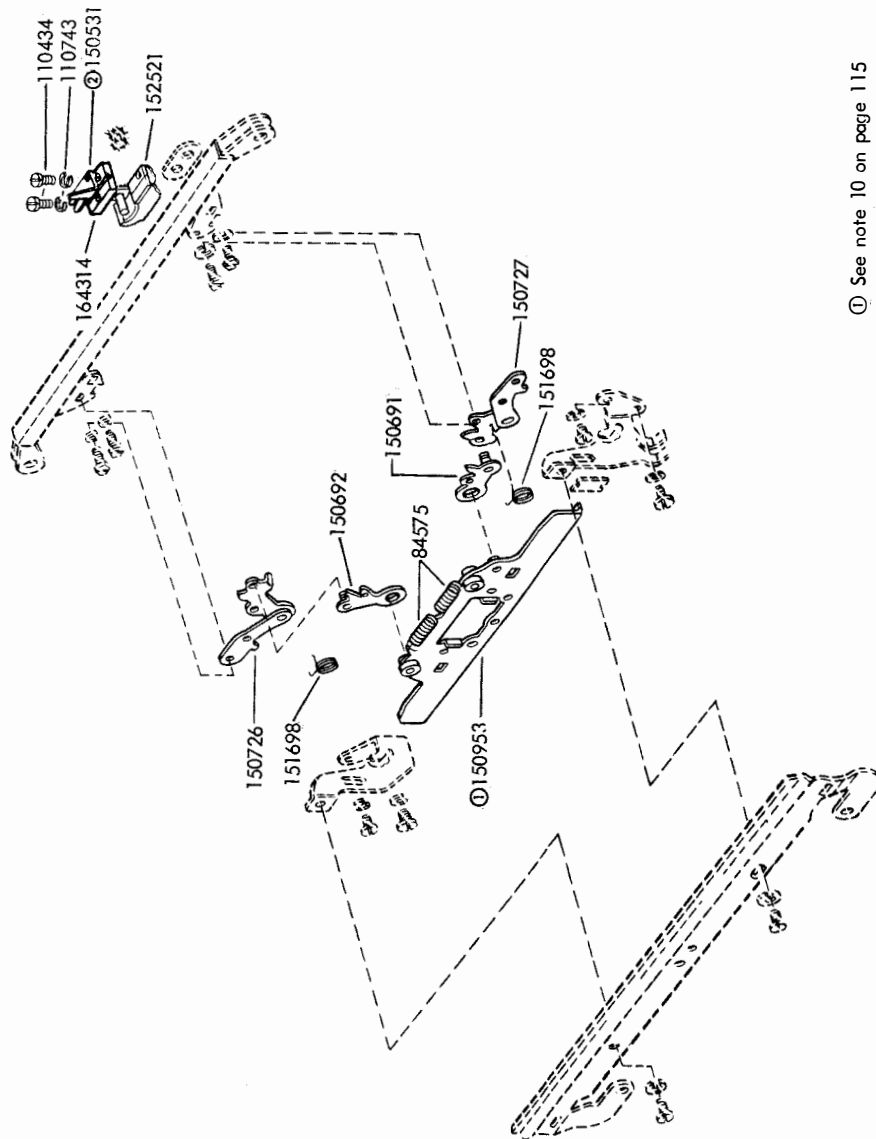


FIGURE 29. CARRIAGE RETURN AND SPACING DRUM MECHANISM



Ⓢ 153947 Modification Kit (5810S)
For Early Design, see Figure 31

FIGURE 30. FRONT PLATE MECHANISM

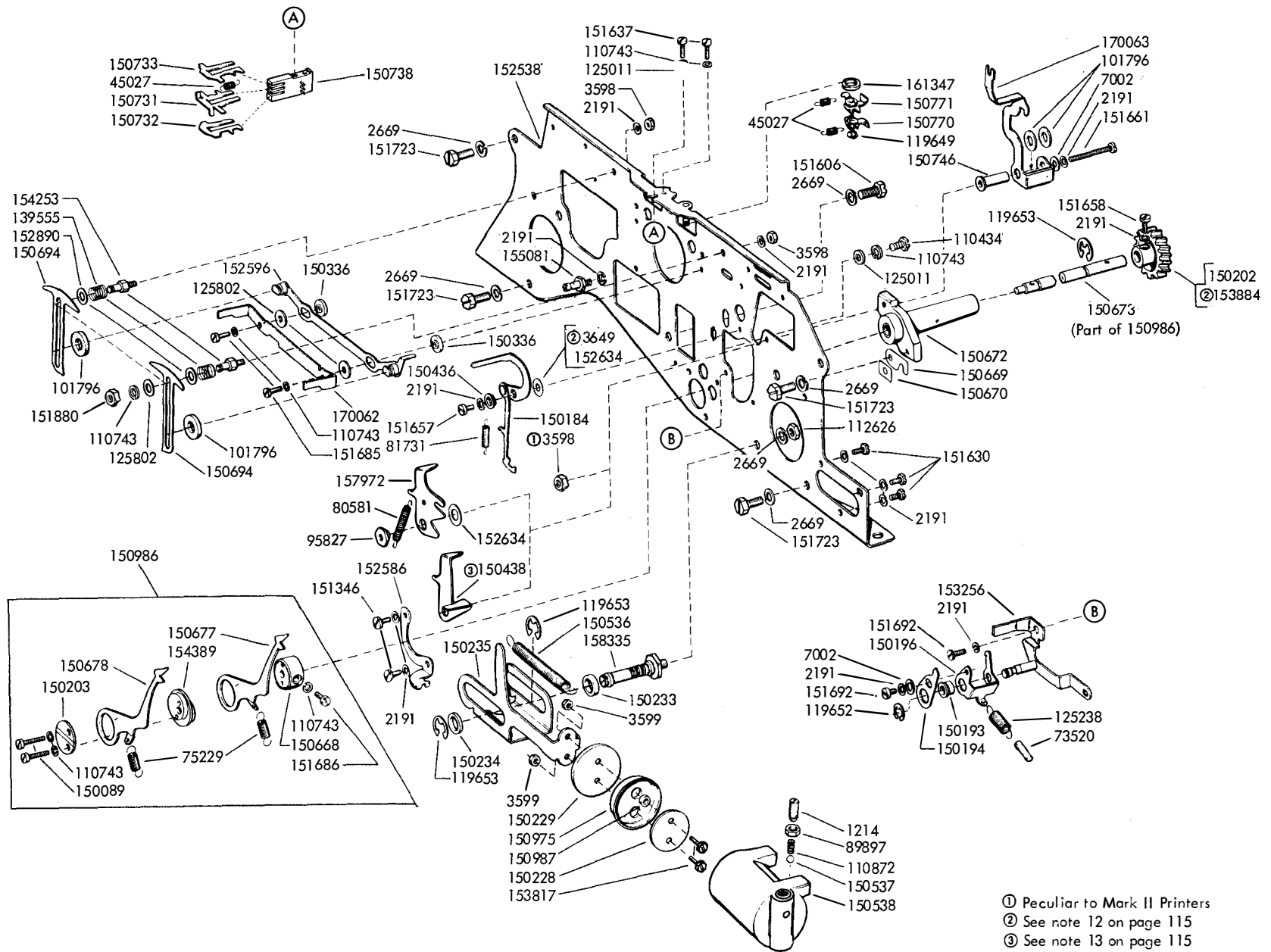


- ① See note 10 on page 115
- ② See note 11 on page 115

Early Design Parts

FIGURE 31. FRONT PLATE MECHANISM

FIGURE 32. FRONT PLATE MECHANISM



① Peculiar to Mark II Printers
 ② See note 12 on page 115
 ③ See note 13 on page 115

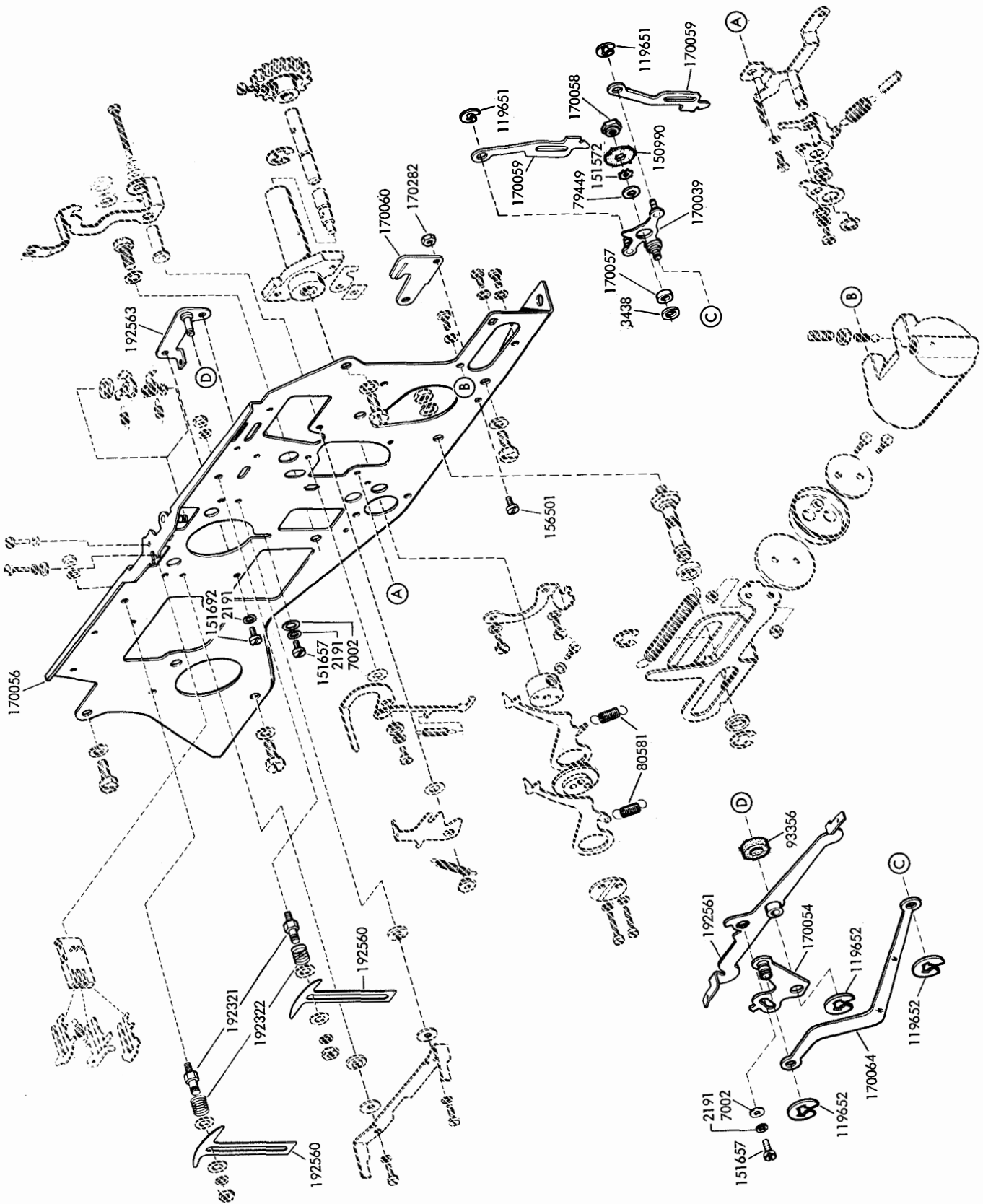
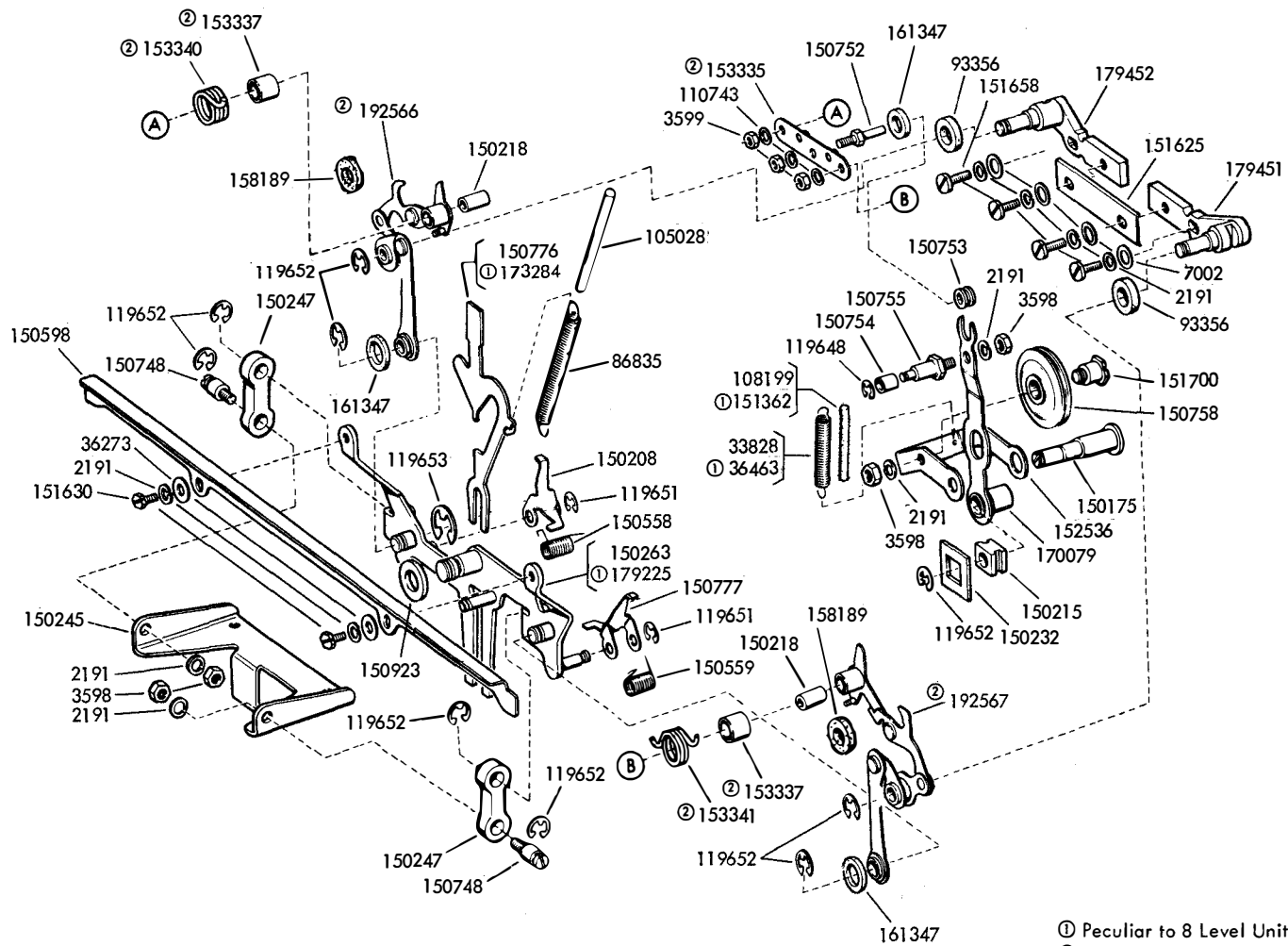


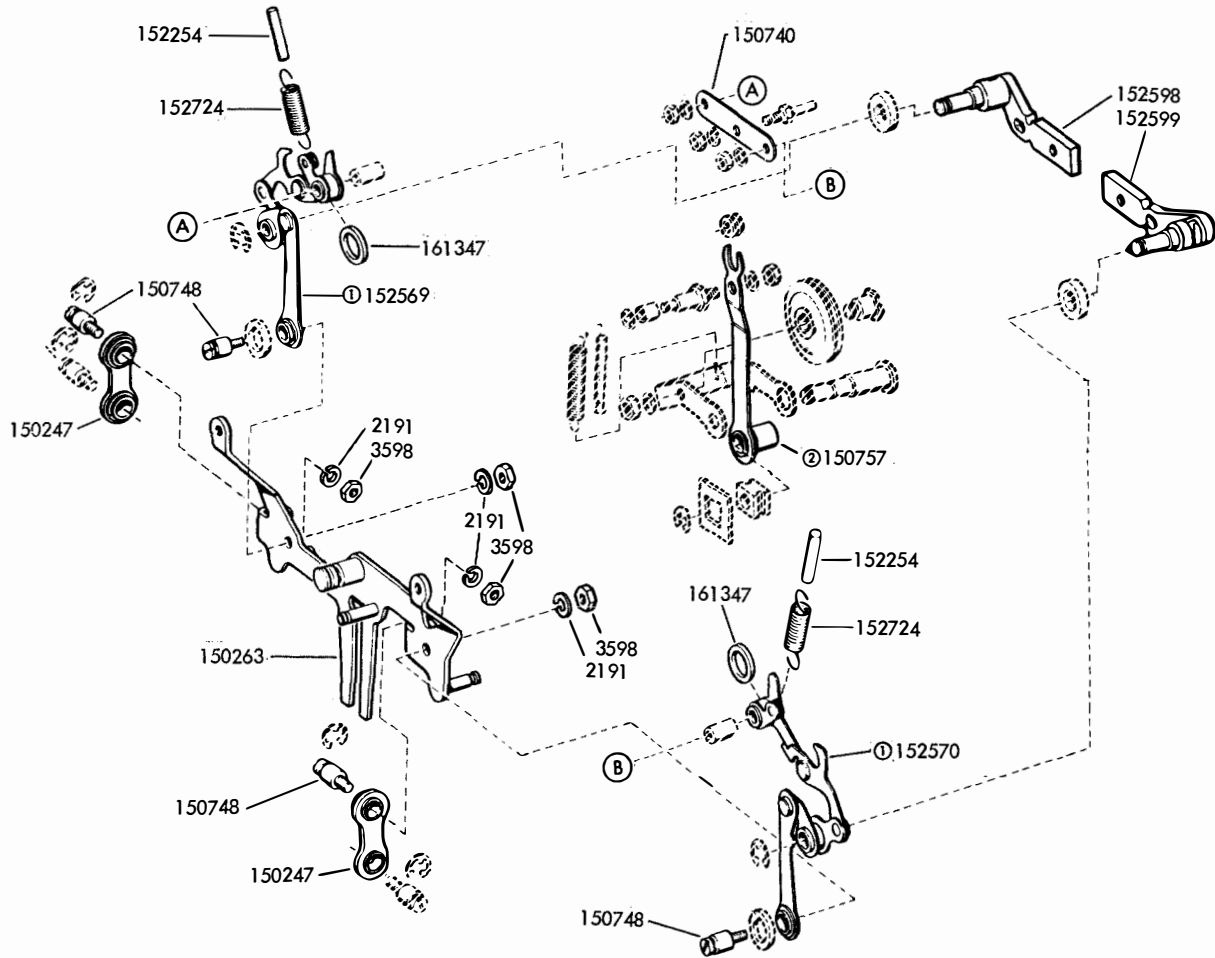
FIGURE 33. FRONT PLATE MECHANISM (8 LEVEL)

FIGURE 34. FRONT PLATE MECHANISM



① Peculiar to 8 Level Units
 ② 153946 Modification Kit (58075)

For Early Design, see Figure 35

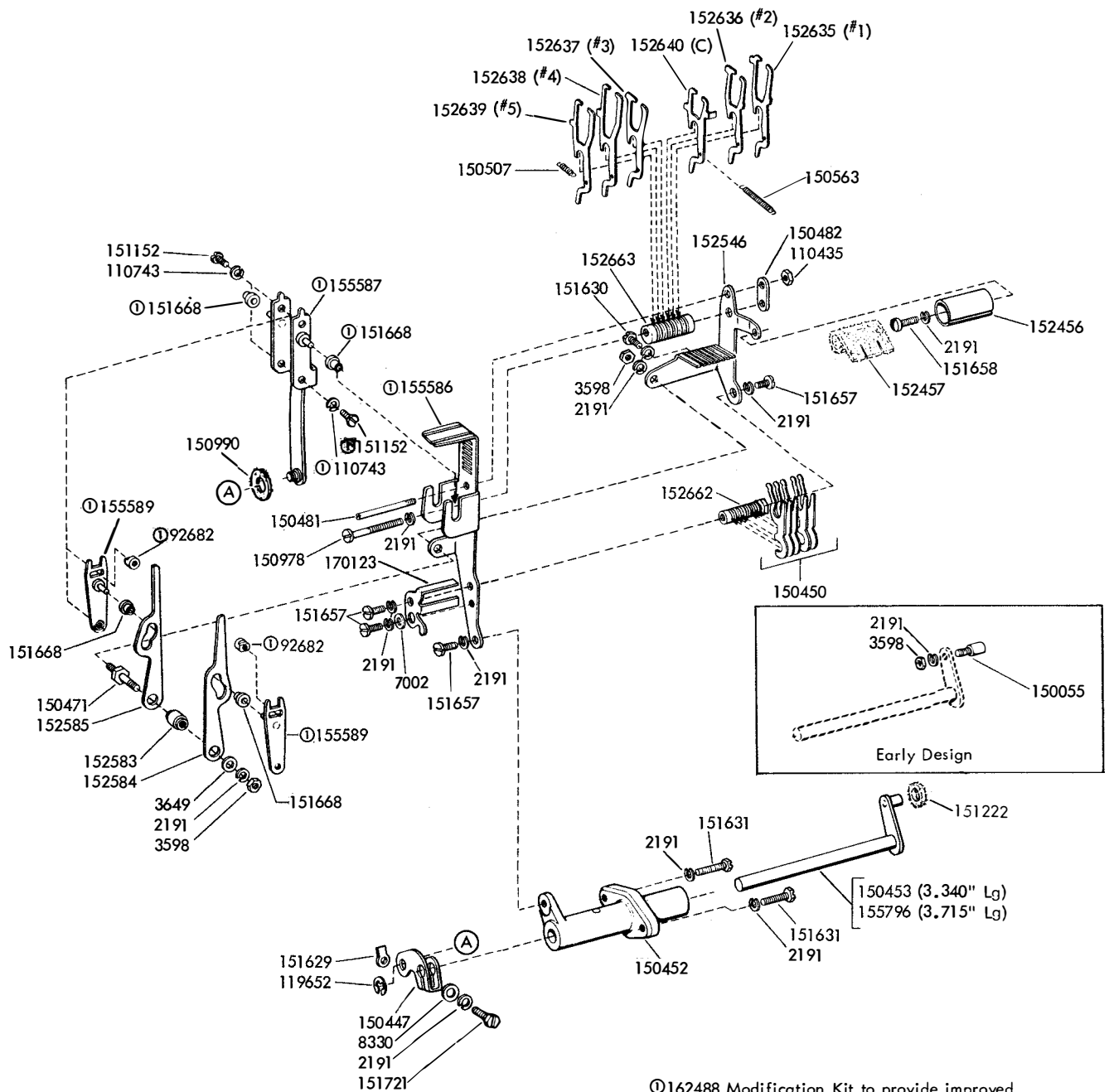


Early Design Parts

① See note 14 on page 115

② See note 15 on page 115

FIGURE 35. FRONT PLATE MECHANISM



①162488 Modification Kit to provide improved Code Bar Positioning Mechanism (59225)
 For Early Design, see Figure 38

FIGURE 36. CODE BAR POSITIONING MECHANISM

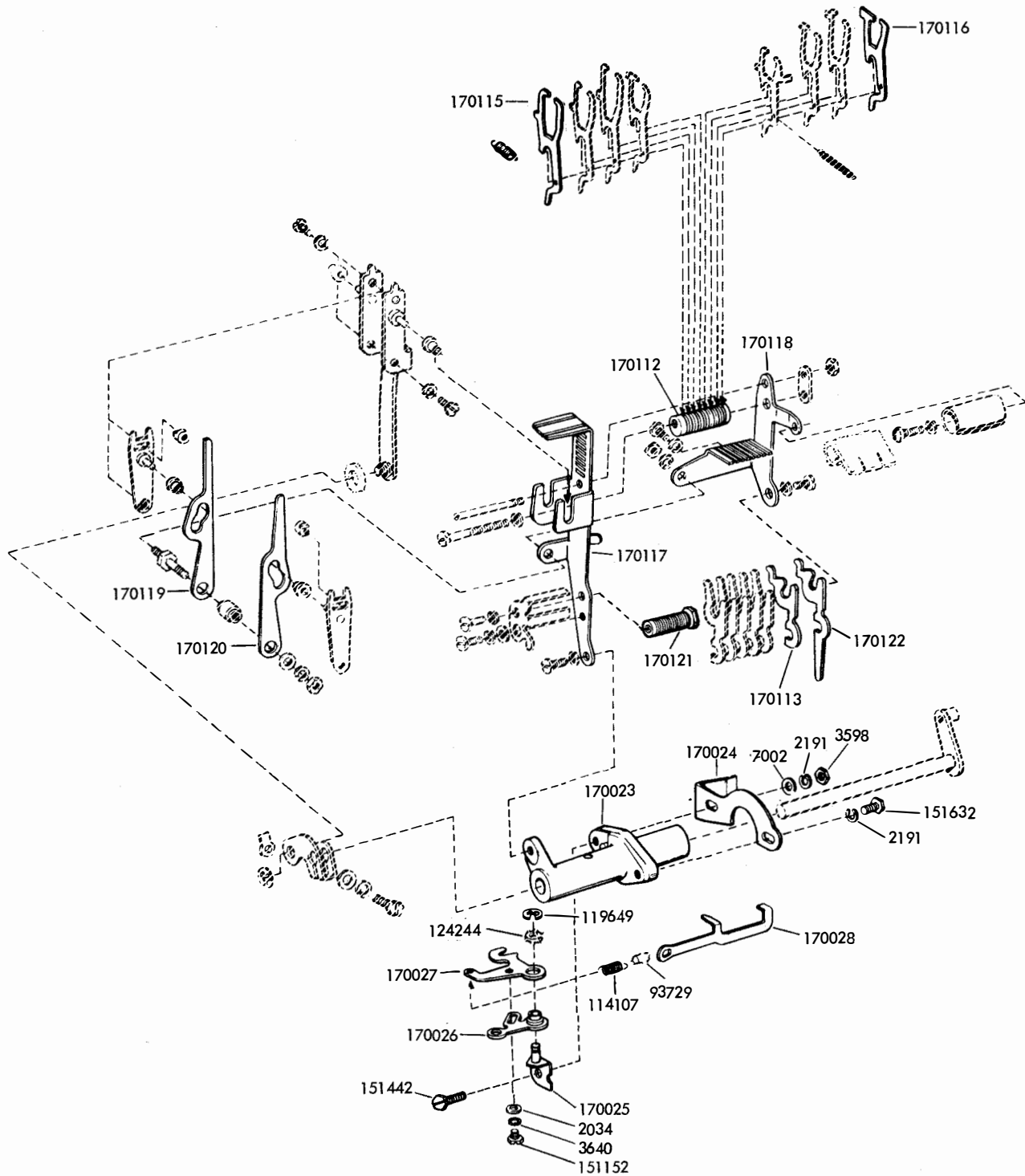
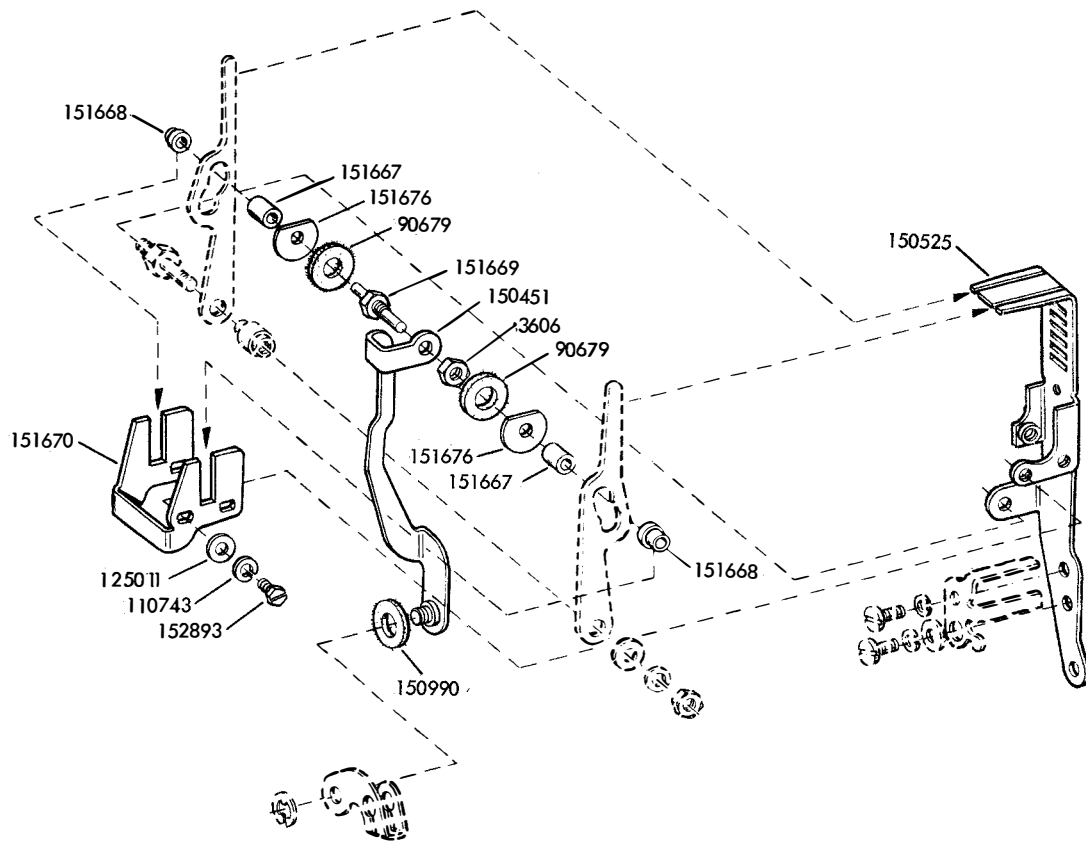
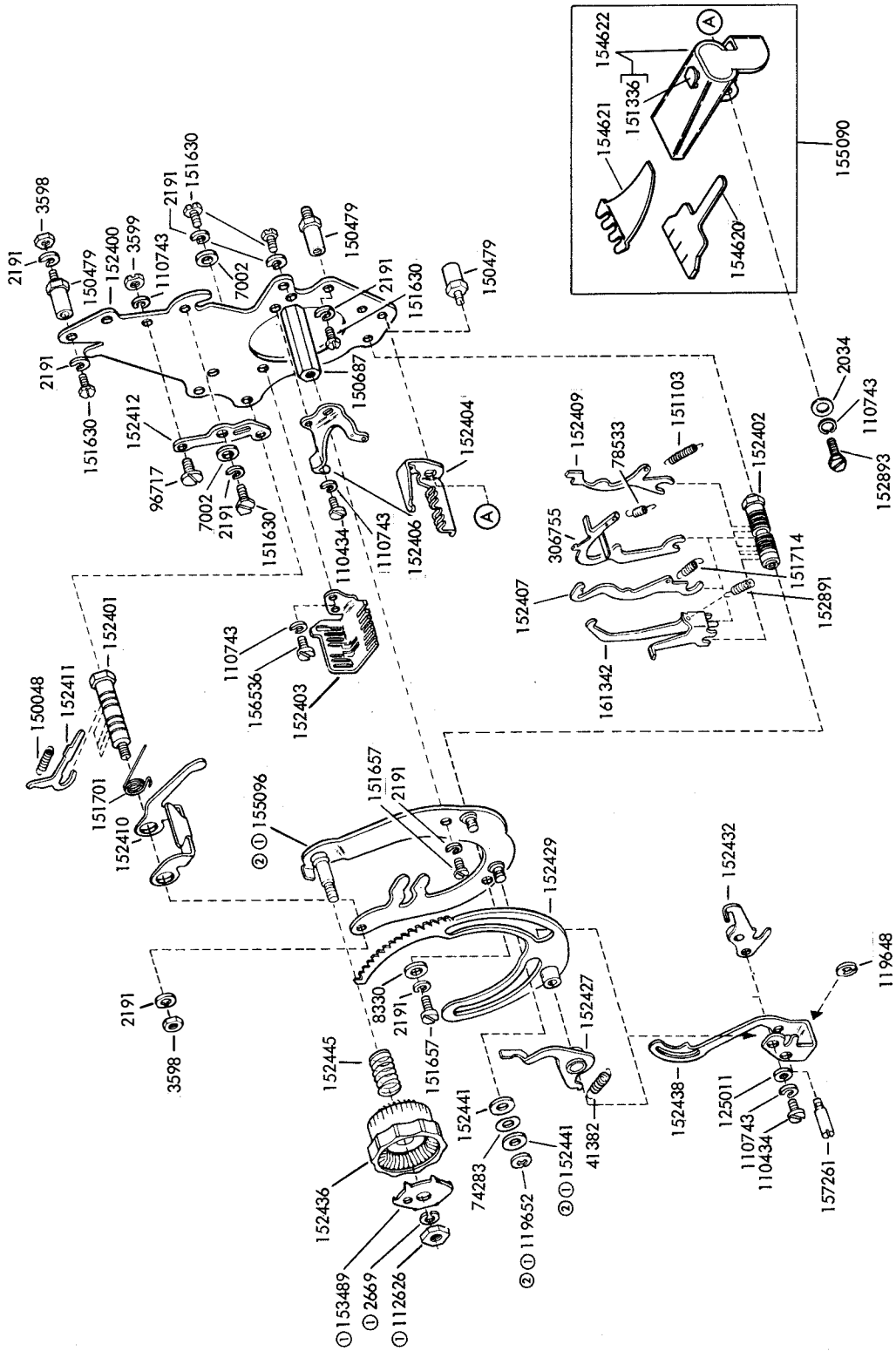


FIGURE 37. CODE BAR POSITIONING MECHANISM (8 LEVEL)



Early Design Parts

FIGURE 38. CODE BAR POSITIONING MECHANISM



- ① 153904 Modification Kit (5843S)
- ② 154723 Modification Kit (5843S)

For Early Design, see Figure 41

FIGURE 39. SELECTOR MECHANISM

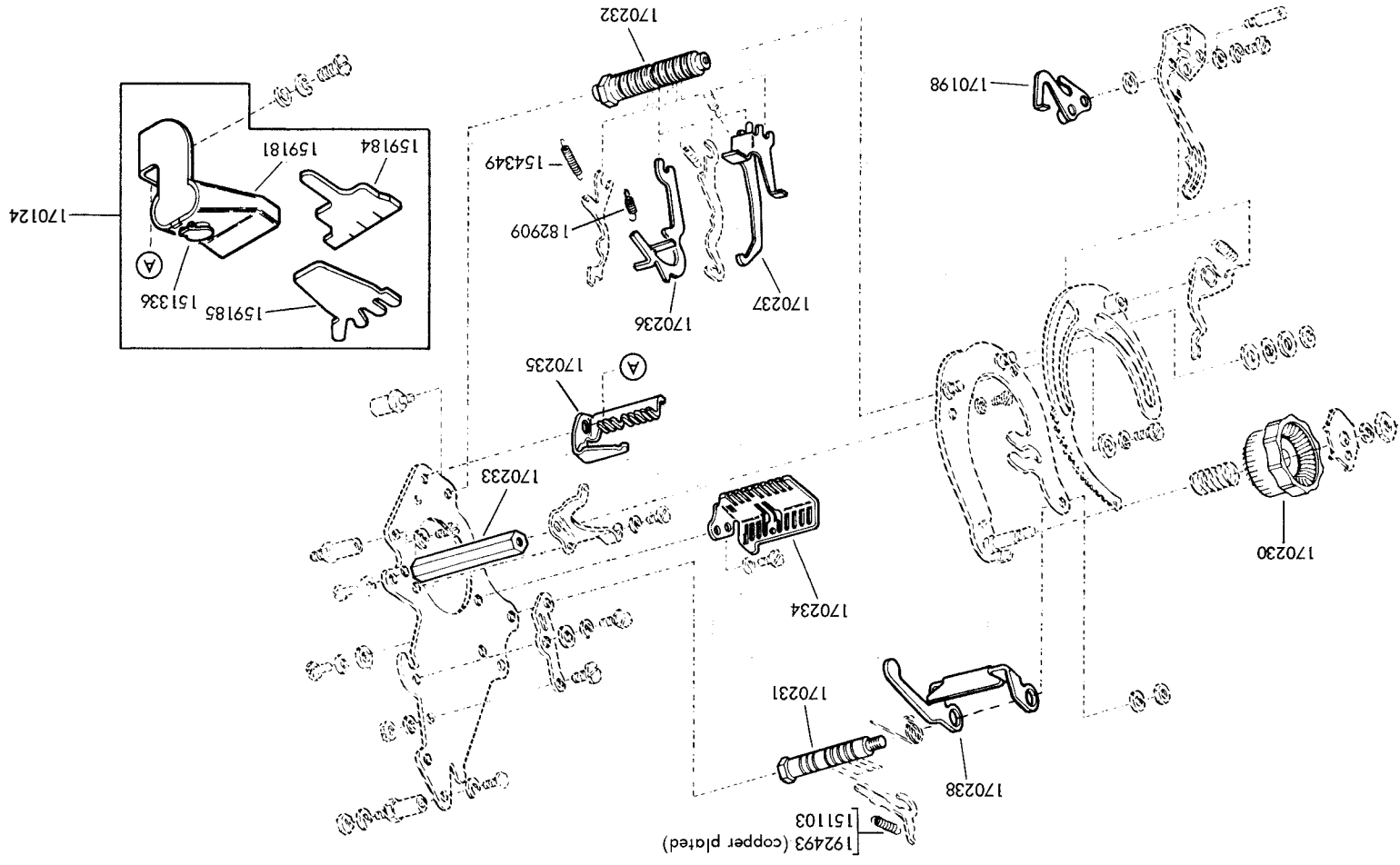
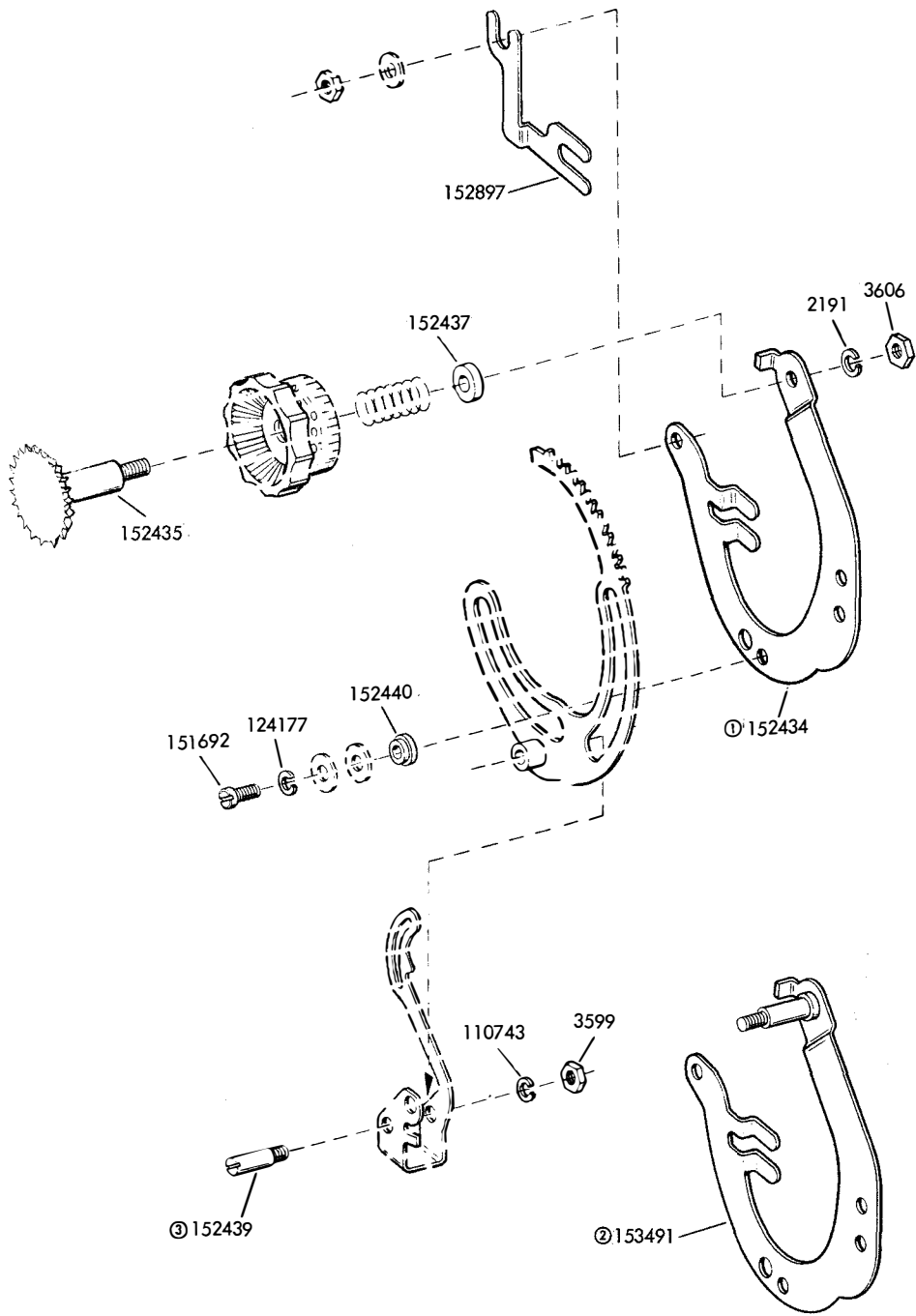


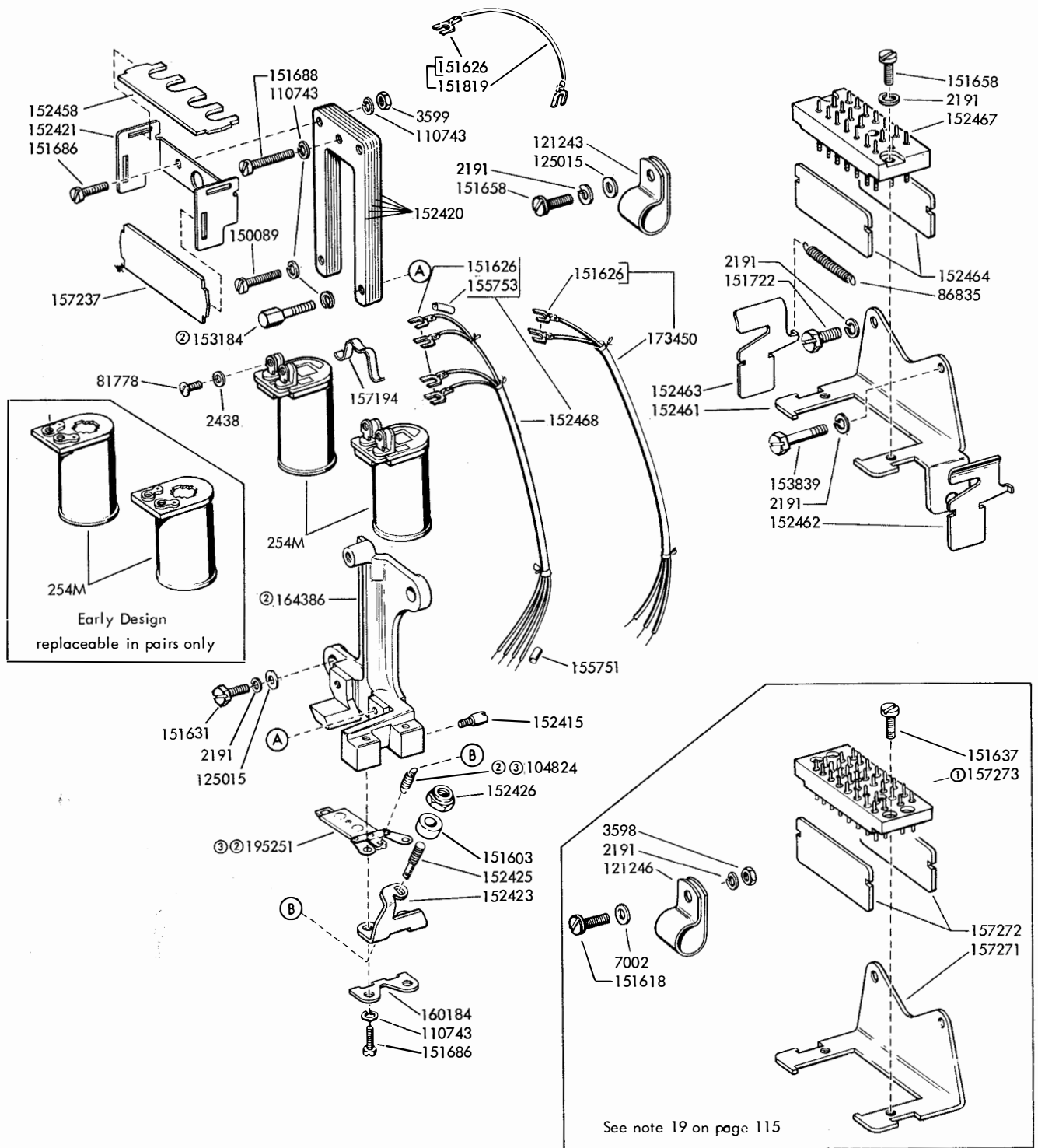
FIGURE 40. SELECTOR MECHANISM (8 LEVEL)



- ① See note 16 on page 115
- ② See note 17 on page 115
- ③ See note 18 on page 115

Early Design Parts

FIGURE 41. SELECTOR KNOB MECHANISM



- ① Part of 173698 Cable Assembly (see Figure 61)
- ② 153949 Modification Kit 5788S
- ③ 195634 Modification Kit to Provide Quick Release Armature 50165S For Early Design, see Figure 44

FIGURE 42. SELECTOR MAGNET MECHANISM

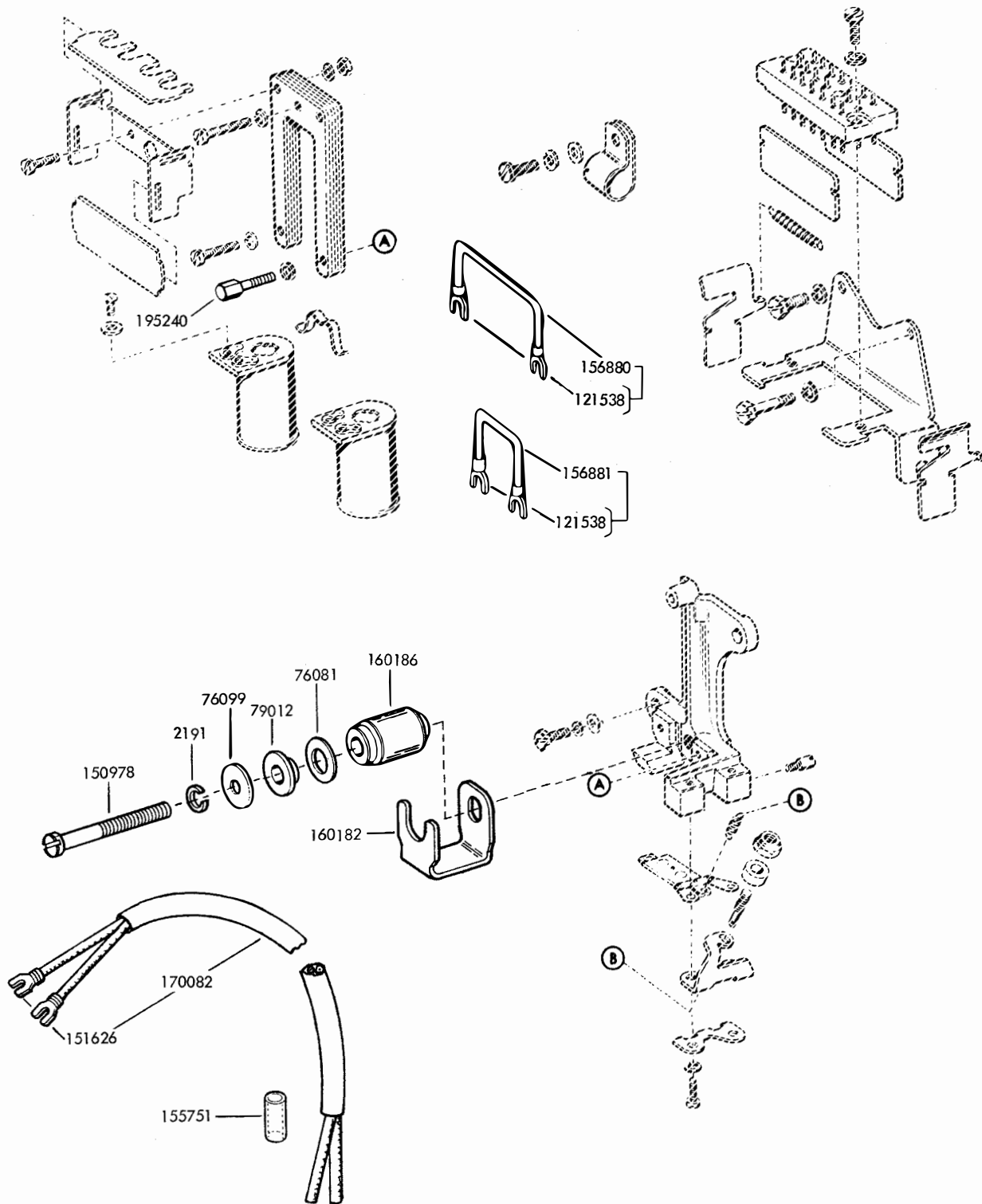
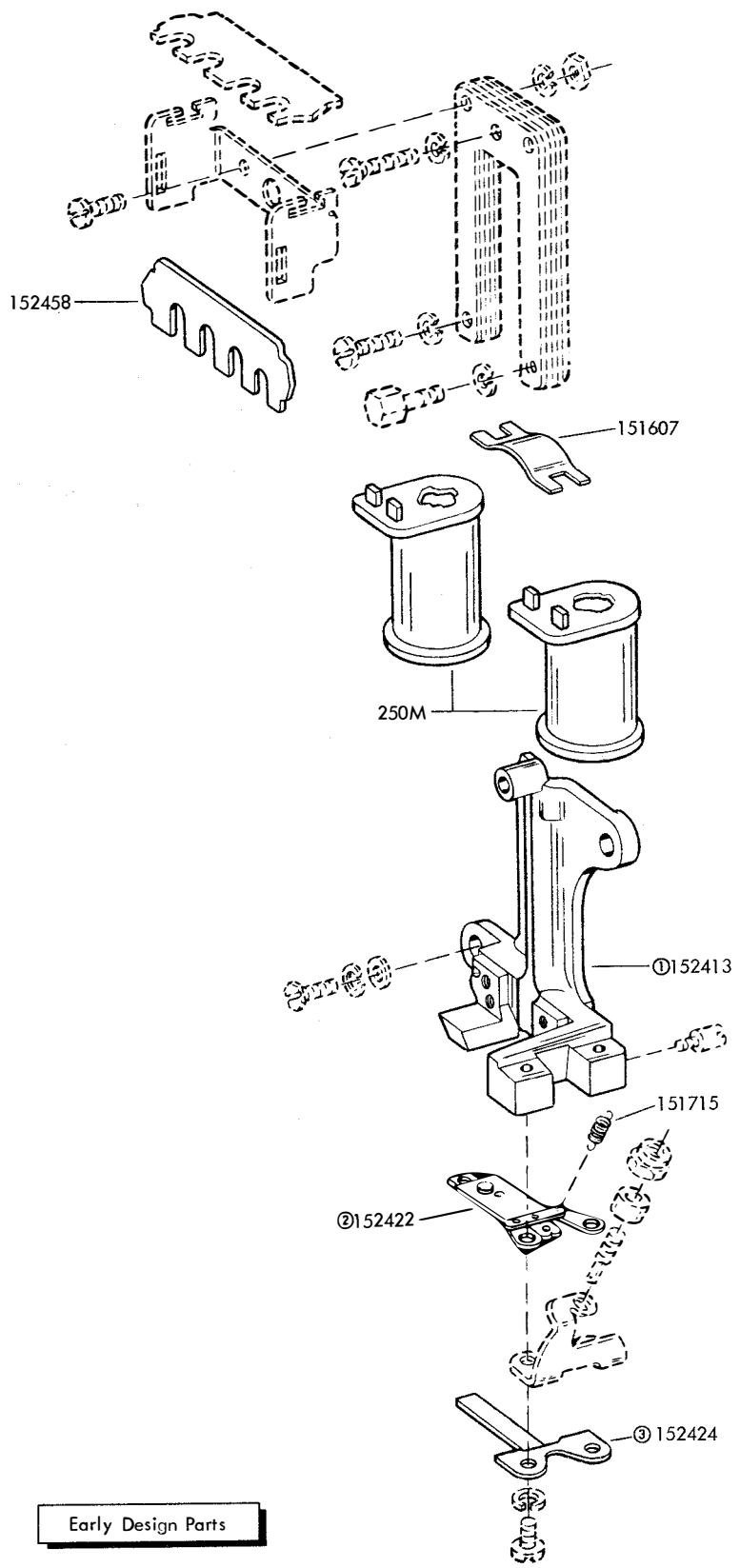


FIGURE 43. SELECTOR MAGNET MECHANISM (8 LEVEL)



Early Design Parts

- ① See note 20 on page 115
- ② See note 21 on page 115
- ③ See note 22 on page 115

FIGURE 44. SELECTOR MAGNET MECHANISM

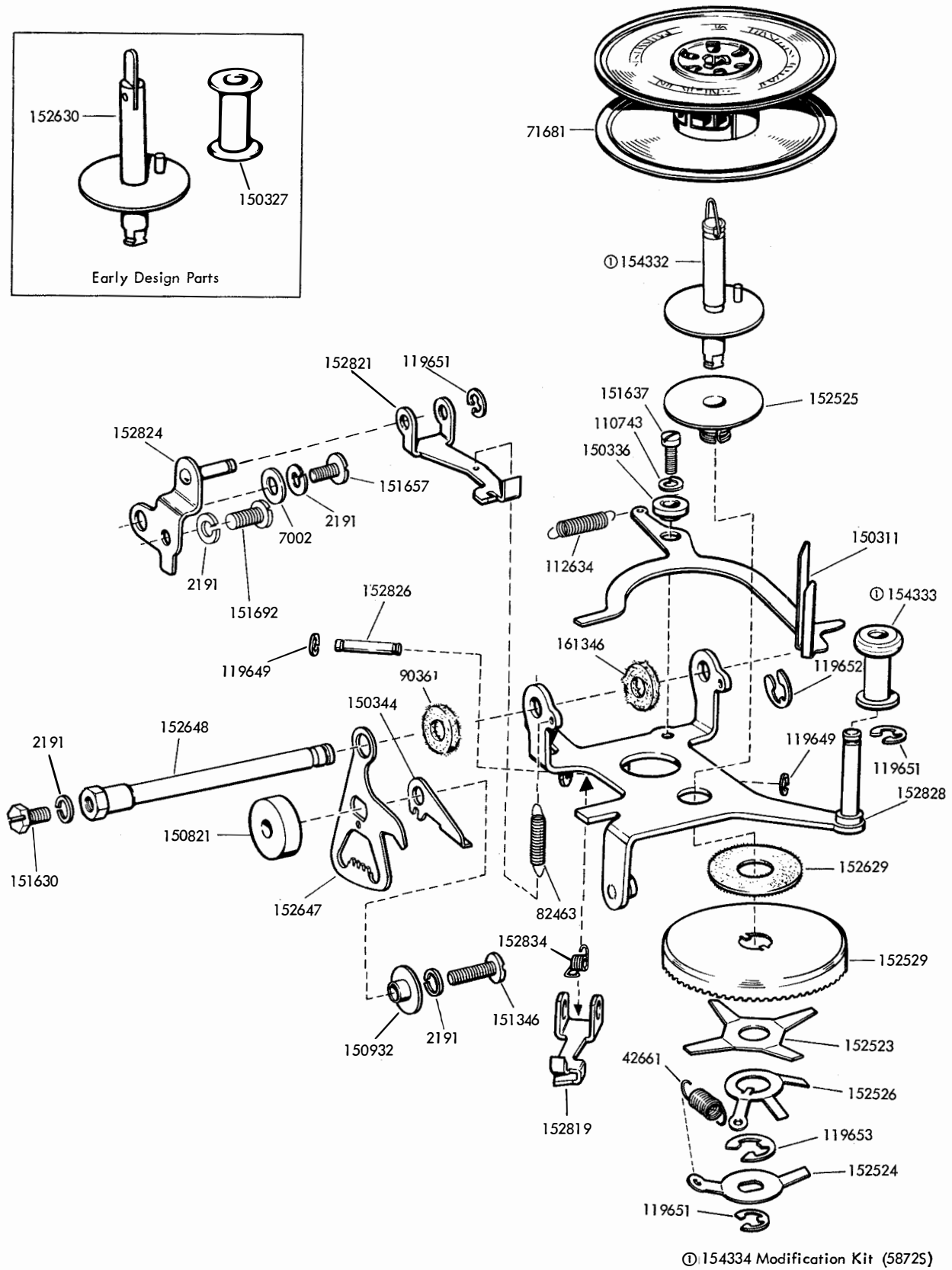
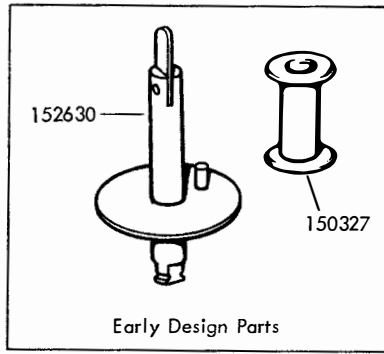


FIGURE 45. RIGHT RIBBON FEED MECHANISM

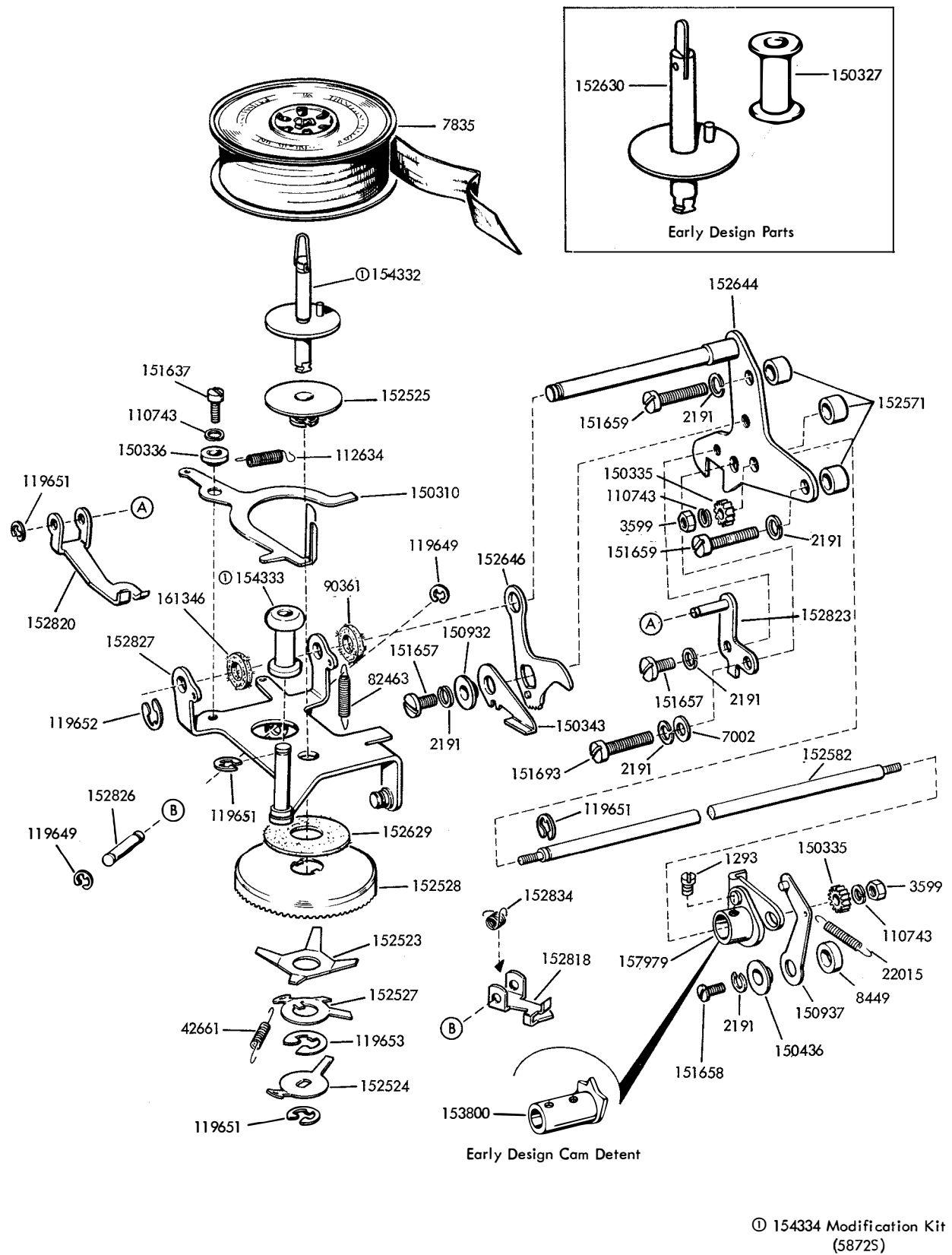
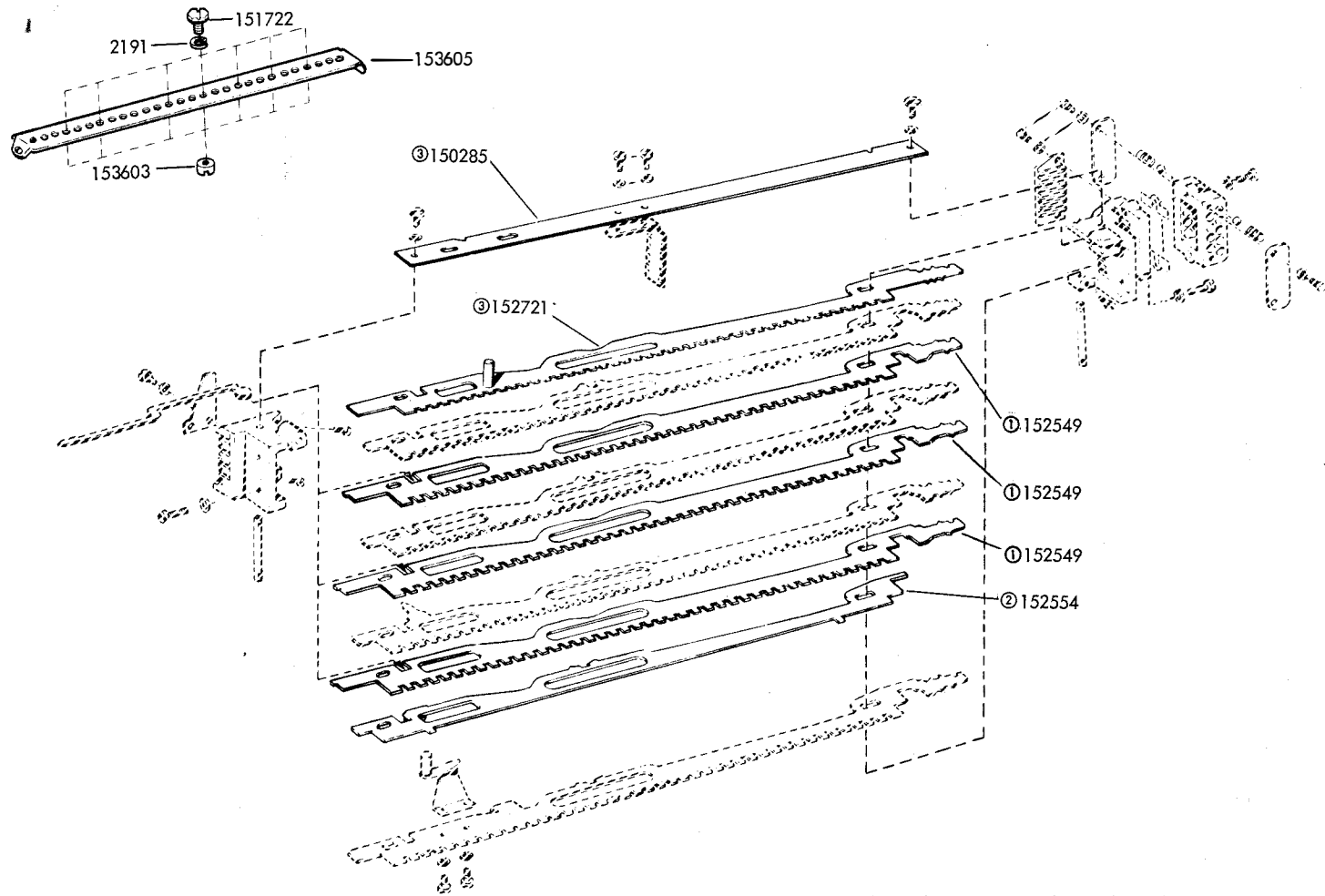


FIGURE 46. LEFT RIBBON FEED MECHANISM

FIGURE 48. CODE BAR MECHANISM



- ① Peculiar to units with Serial Numbers 8699 and lower
- ② See note 23 on page 115
- ③ See note 24 on page 115

Early Design Parts

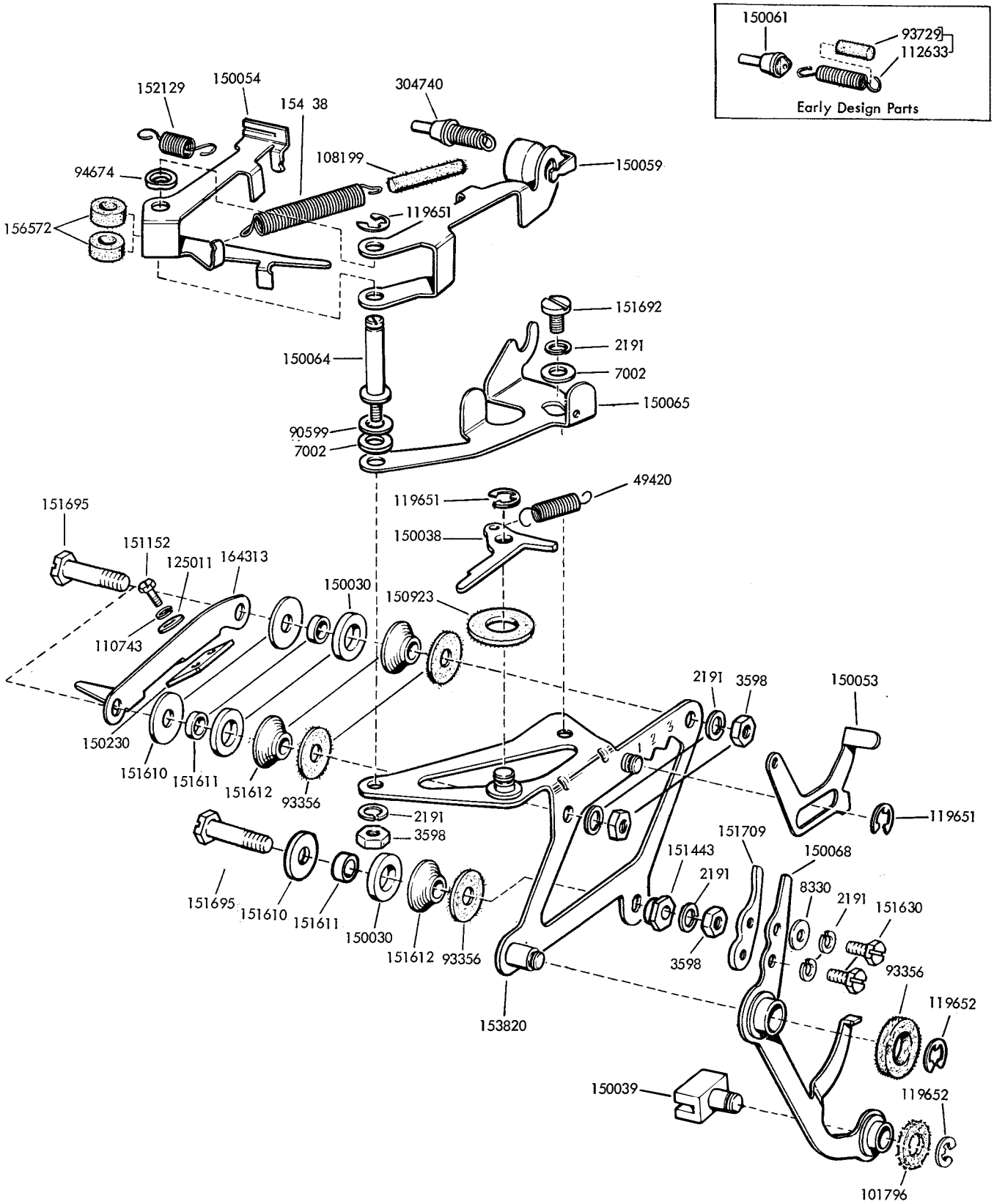
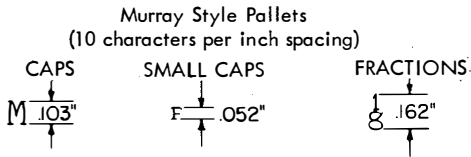
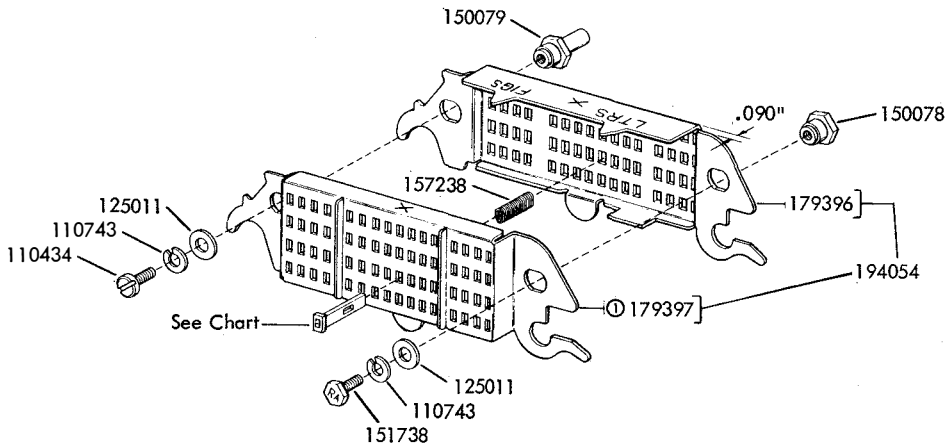


FIGURE 49. 150036 PRINTING CARRIAGE ASSEMBLY



Note: Part number of 151738 Identification Screw to include two letter suffix of type box arrangement.

MURRAY STYLE PALLETS													
PALLET	NUMBER	PALLET	NUMBER	PALLET	NUMBER	PALLET	NUMBER	PALLET	NUMBER	PALLET	NUMBER	PALLET	NUMBER
A	157600	F	157605	K	157610	P	157615	U	157620	Z	157625	5	157630
B	157601	G	157606	L	157611	Q	157616	V	157621	1	157626	6	157631
C	157602	H	157607	M	157612	R	157617	W	157622	2	157627	7	157632
D	157603	I	157608	N	157613	S	157618	X	157623	3	157628	8	157633
E	157604	J	157609	O	157614	T	157619	Y	157624	4	157629	9	157634

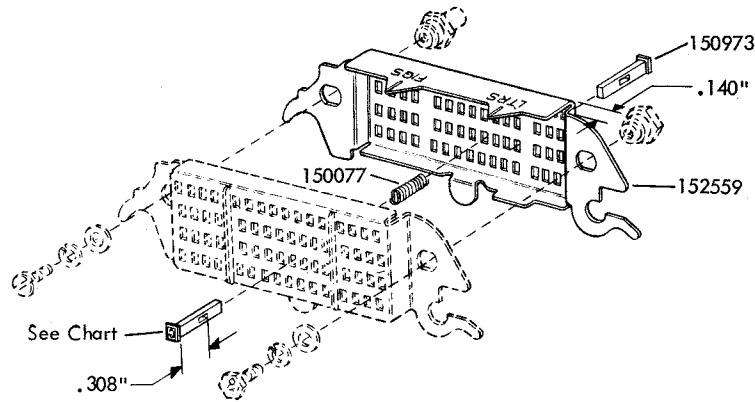
The above pallets are common to all Murray Style Arrangements

ADDITIONAL MURRAY STYLE PALLETS													
PALLET	NUMBER	PALLET	NUMBER	PALLET	NUMBER	PALLET	NUMBER	PALLET	NUMBER	PALLET	NUMBER	PALLET	NUMBER
CS	155880	H	155868	n	157785	z	157788	¢	157658	≡	155870	⊞	157721
c	157780	J	157796	OZ	155879	∫	157805	@	157726	■	155873	⊚	157722
DZ	157801	j	157783	∅	157725	/16	155874	△	157807	◀	155877		157727
E	155869	K	157797	g	157794	/32	155875	○	157728	»	155878	-	157642
EA	157799	k	157784	s	157786	...	155876	±	157806	~	155871		
F	157795	L	157803	t	157787	-	157804	=	157678	^	155872		
f	157781	N	157716	YD	157800	%	157660	x	157715	⊗	157719		
g	157782	n	157798	Yd	157802	£	157650	∞	157661	□	157720		

Ⓞ See note 25 on page 115

See Figures 52, 53 and 54 for pallet arrangements
For Early Design, see Figure 51

FIGURE 50. TYPE BOX AND PALLETS



MURRAY STYLE PALLETS

PALLET	NUMBER	PALLET	NUMBER	PALLET	NUMBER	PALLET	NUMBER
A	150100	X	150123	!	150146	↘	151947
B	150101	Y	150124	&	150147	↙	151948
C	150102	Z	150125	,	150148	+	151949
D	150103	1	150126	/	150149	o	151950
E	150104	2	150127	▼	150150	⊖	151951
F	150105	3	150128	! 8	150151	⊕	151952
G	150106	4	150129	! 4	150152	⊗	151953
H	150107	5	150130	! 3	150153	x	154536
I	150108	6	150131	! 2	150154	ñ	154537
J	150109	7	150132	! 8	150155	∪	154538
K	150110	8	150133	! 3	150156	∩	154539
L	150111	9	150134	! 4	150157	⊕	154540
M	150112	-	150143	! 7	150158	⊖	154541
N	150113	.	150135	! 8	150159	⊕	154542
O	150114	,	150136	!	150160	⊖	154543
P	150115	"	150137	!	150161	∧	154544
Q	150116	(150138	!	150162	∨	154545
R	150117	?	150139	!	151941	⊖	154546
S	150118	∅	150140	!	151942	⊕	154547
T	150119)	150141	!	151943		154548
U	150120	≠	150142	!	151944	°	154549
V	150121	\$	150144	!	151945	BLANK	150973
W	150122	:	150145	!	151946		

See note 26 on page 115

Early Design Parts

FIGURE 51. TYPE BOX AND PALLETS

GOTHIC STYLE PALLETS ① (12-TO-INCH SPACING)										The Pallets listed below are common to 12-to-inch Gothic Style Arrangements		LARGE GOTHIC STYLE PALLETS ②								The Pallets listed below are common to all large Gothic Style Arrangements				
PALLET	NUMBER	155705 "XD"	155706 "XE"	155707 "XF"	161362 "XR"	161363 "XS"	161364 "XT"	161365 "XU"	162056 "XZ"	179057 "YV"	PALLET	NUMBER	PALLET	NUMBER	154643 "RV"	153518 "WA"	160755 "XM"	160999 "XP"	163295 "YC"	161081 "YG"	164218 "YJ"	164348 "YK"	PALLET	NUMBER
&	155467	X	X		X	X	X		X	X	A	155432	ø	157764	X	X							A	157729
\$	155468	X	X	X	X	X	X		X	X	B	155433	,	157766	X	X	X	X	X	X	X		B	157730
%	155470			X					X		C	155434	"	157767	X	X	X	X	X	X	X		C	157731
1											D	155435	'	157768	X	X				X	X	X	D	157732
2	155471		X	X			X	X			E	155436	;	157769	X	X				X	X		E	157733
1											F	155437	:	157770	X	X				X	X		F	157734
4	155472		X	X			X	X			G	155438	:	157770	X	X				X	X		G	157735
#	155473	X	X		X	X			X	X	H	155439	-	157771	X	X		X	X	X	X	X	H	157736
7											I	155440	?	157773	X	X				X	X		I	157737
8	155474		X				X	X			J	155441	(157774	X	X				X	X		J	157738
5											K	155442)	157775	X	X				X	X		K	157739
8	155475		X				X	X			L	155443	!	157776	X	X				X	X		L	157740
1											M	155444	#	157779		X	X	X		X	X	X	M	157741
8	155476		X				X	X			N	155445	1										N	157742
3											O	155446	8	157823			X	X					O	157743
8	155477		X				X	X			P	155447	1				X	X					P	157744
3											Q	155448	4	157824			X	X					Q	157745
4	155478		X				X	X			R	155449	8										R	157746
+	155479								X		S	155450	1				X	X					S	157747
ø	155483									X	T	155451	4	157825			X	X					T	157748
"		M	M	M	M	M	M		M	M	U	155452	8				X	X					U	157749
'		M			M	M			M	M	V	155453	1	157826			X	X					V	157750
;		M		M	M				M	M	W	155454	5										W	157751
:		M		M	M				M	M	X	155455	8	157827			X	X					X	157752
?		M		M	M				M	M	Y	155456	1										Y	157753
)		M			M				M	M	Z	155457	5	157828			X	X					Z	157754
(M		M	M				M	M	1	155458	3				X	X					1	157755
!					M				M	M	2	155459	4	157829			X	X					2	157756
,		M	M	M	M		M		M	M	3	155460	7										3	157757
←	161366							X			4	155461	8	157829			X	X					4	157758
→	161367							X			5	155462	1					X			X		5	157759
↓	161368							X			6	155463	8	163308					X			X	6	157760
↑	161369							X			7	155464	1						X				7	157761
↖	161370							X			8	155465	4	163309					X			X	8	157762
↗	161371							X			9	155466	8	163310					X			X	9	157763
↘	161372							X			/	155469	1						X			X	.	157765
↙	161373							X			-	157636	4	163311					X			X	/	157772
○	161374							X				157642	8	163312					X			X	\$	157777
⊖	161375							X					1	163313					X			X	&	157778
⊕	161376							X					5						X					
⊕	161377							X					8	163314					X			X		

M = Murray Typepallet

① Used with 154792 Modification Kit (see Figure 97)

② Used with 154755, 159395 or 163292 Modification Kit (see Figures 94, 95 and 96)

Gothic Style Pallets
(10 or 12 characters per inch spacing)



Large Gothic Style Pallets
(5, 6 or 8 characters per inch spacing)

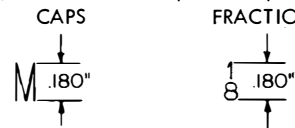
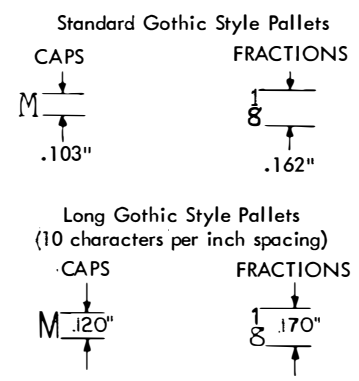


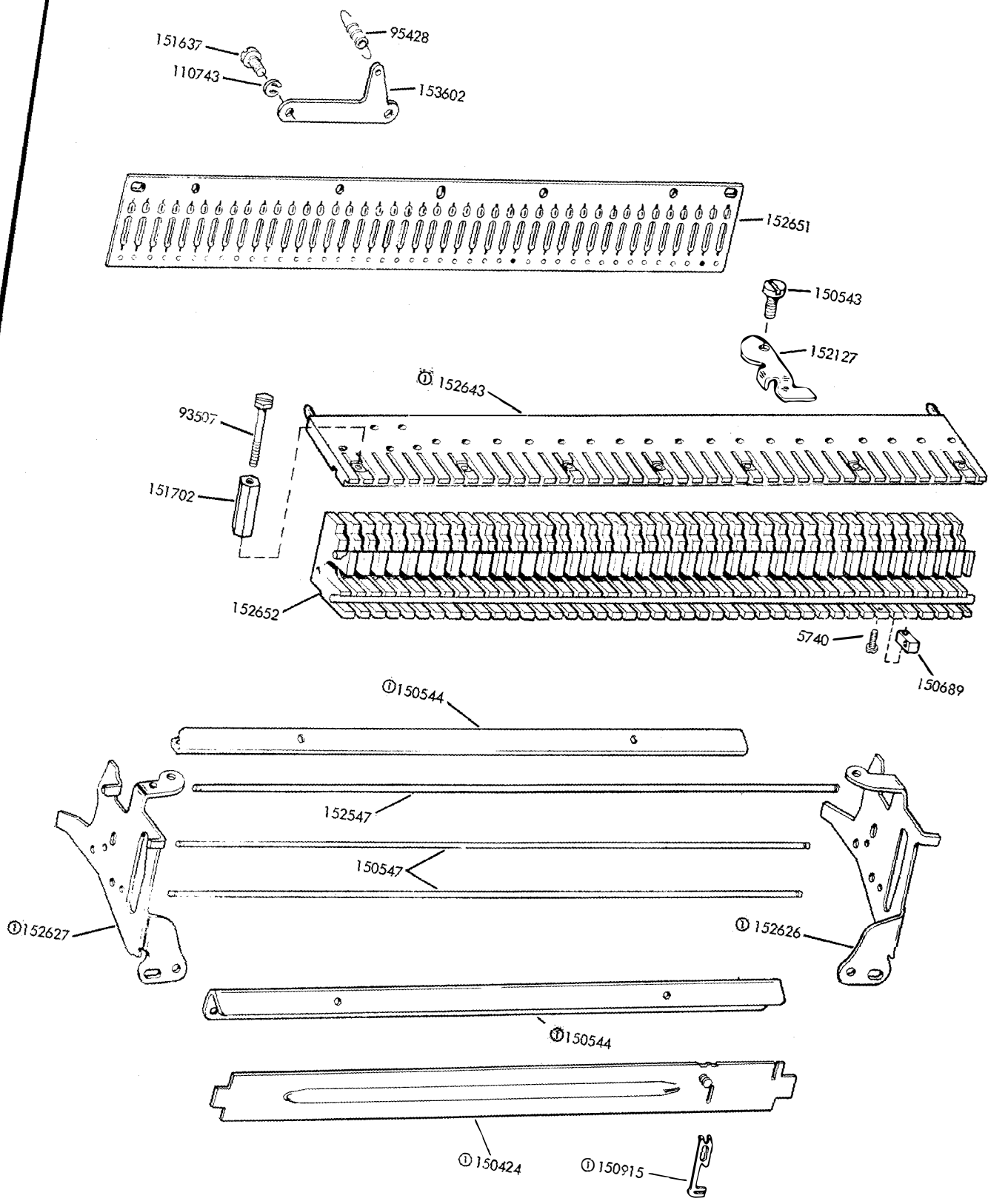
FIGURE 53. TYPEPALLET CHARTS

LONG GOTHIC STYLE PALLETS							The Pallets listed below are common to all long Gothic Style Arrangements		STANDARD GOTHIC STYLE PALLETS					The Pallets listed below are common to all standard Gothic Style Arrangements			
PALLET	NUMBER	155693 "WP"	155709 "XH"	162058 "YA"	194026 "AC"	194027 "AD"	194929 "AE"	195461 "AH"	PALLET	NUMBER	178852 "YU"	193803 "AB"	195009 "AF"	199898 "AL"	PALLET	NUMBER	
:	155654	X	X				X		A	155618	M	M	M	M	A	159752	
(155657	X	X				X		B	155619					B	159753	
)	155658	X	X				X		C	155620	M	M		M	C	159754	
	155660	X							D	155621	M		M	M	D	159755	
o	155661	X							E	155622	M	M	M	M	E	159756	
o	155662	X							F	155623	M				F	159757	
→	155663	X							G	155624	M				G	159758	
*	155664	X							H	155625	M	M		M	H	159759	
∞	155665	X							I	155626	M	M	M	M	I	159760	
\$	155667		X	X					J	155627	M	M	M	M	J	159761	
?	155668		X				X		K	155628	M	M	M	M	K	159762	
!	155669		X						L	155629	M	M		M	L	159763	
;	155670		X						M	155630	M	M	M		M	159764	
,	155671		X				X		N	155631	M	M	M	M	N	159765	
.	155672		X	X	X	X	X	X	O	155632	M	M	M	M	O	159766	
"	155673		X	X	X				P	155633	M			M	P	159767	
7				X					Q	155634	M		M	M	Q	159768	
8	155885			X					R	155635	M			M	R	159769	
5				X					S	155636	M			M	S	159770	
8	155886			X					T	155637		M		M	T	159771	
1				X					U	155638	M		M	M	U	159772	
4	155887			X					V	155639		M			V	159773	
3				X					W	155640		M			W	159774	
4	155888			X					X	155641		M			X	159775	
1				X					Y	155642		M			Y	159776	
8	155889			X					Z	155643		M			Z	159777	
3				X					1	155644					1	159778	
8	155890			X					2	155645					2	159779	
1				X					3	155646					3	159780	
2	155891			X					4	155647					4	159781	
-	155655	X	X	X			X	X	5	155648					5	159782	
Δ	155884			X					6	155649					6	159783	
∅	155895							X	7	155650					7	159784	
±	194018				X	X			8	155651					8	159785	
+	194019				X		X	X	9	155652					9	159786	
→	194020					X		M	/	155653					▲	159787	
=	194021						X		/	155656							
↖	194035				X	X		M	#	155659							
↑	194036				X	X		M	&	155666							
↓	194037				X			M									
↙	194038				X			M									
←	194039					X		M									
(I)	195486							X									
(II)	195487							X									
⊕	195488							X									
↗ ↘ ○								M									
☒ □ □ □								M									



M = Murray Typepallet

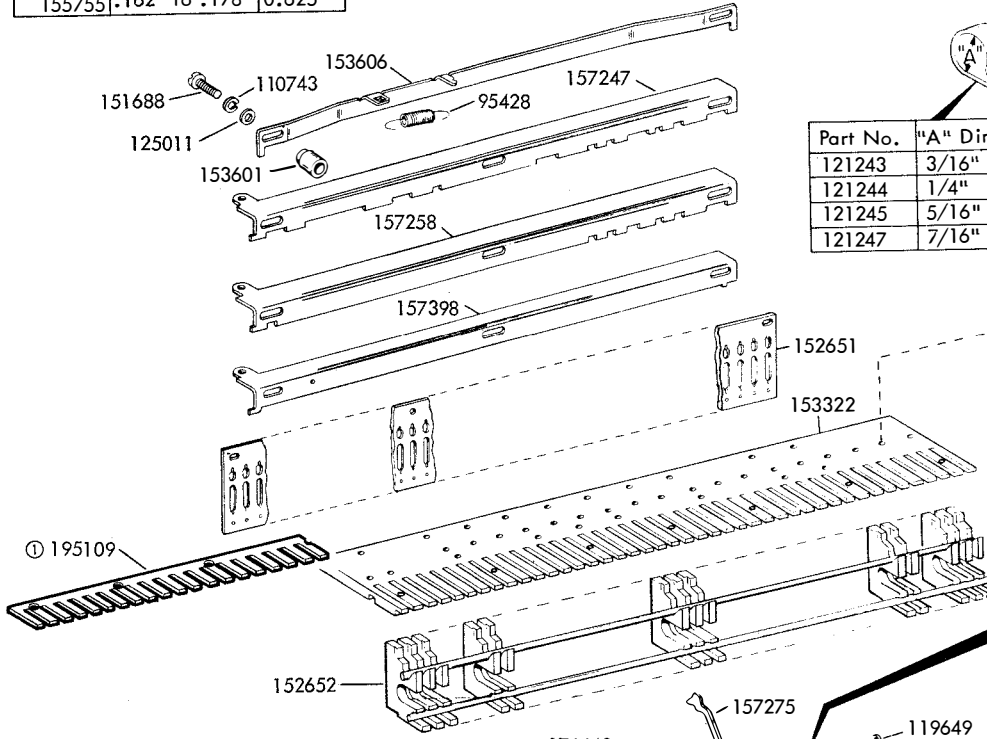
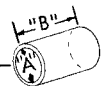
FIGURE 54. TYPEPALLET CHARTS



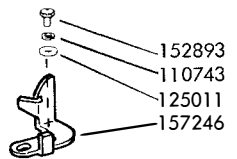
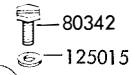
Ⓢ Early Design

FIGURE 55. STUNT BOX - MAJOR COMPONENTS

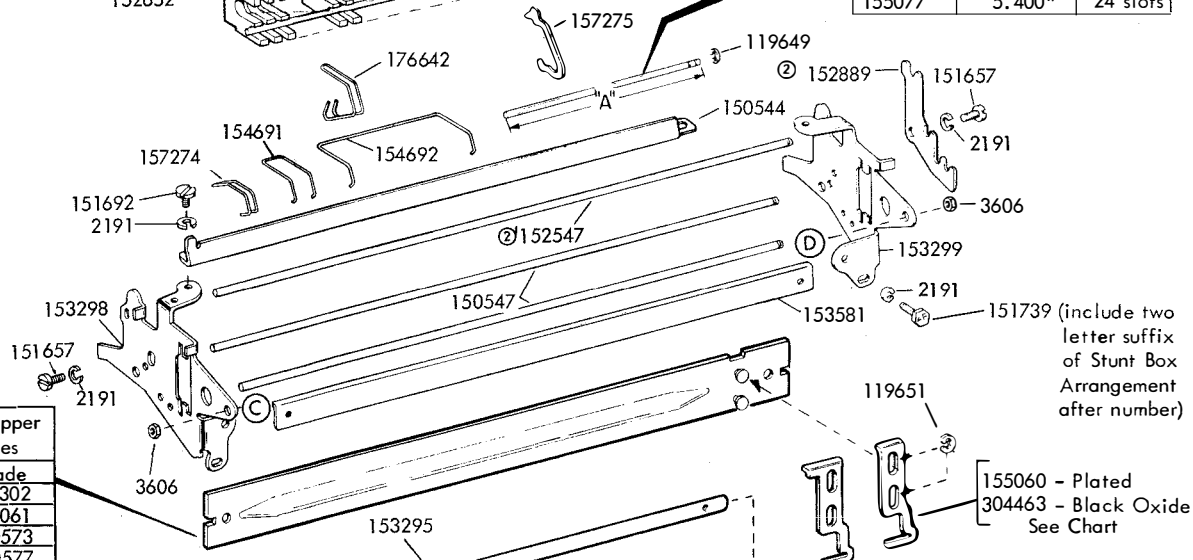
Part No.	"A" Dim.	"B" Dim.
155750	.091" to .101"	0.500"
155751	.114" to .124"	1.000"
155752	.057" to .067"	0.375"
155753	.114" to .124"	0.500"
155754	.057" to .067"	0.500"
155755	.162" to .178"	0.625"



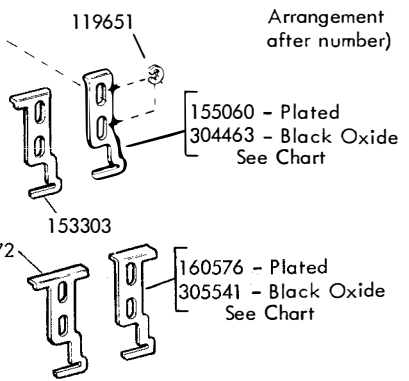
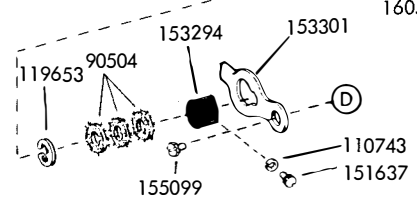
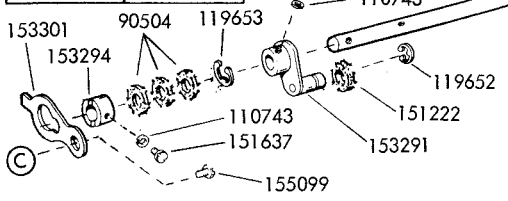
Part No.	"A" Dim.
121243	3/16"
121244	1/4"
121245	5/16"
121247	7/16"



Part No.	"A" Dim.	Span
153318	6.077"	27 slots
153838	1.062"	4 slots
154666	3.237"	14 slots
154667	2.796"	12 slots
154668	1.921"	8 slots
154669	5.640"	25 slots
155071	1.484"	6 slots
155072	3.890"	17 slots
155073	4.984"	22 slots
155074	7.390"	33 slots
155075	7.828"	35 slots
155076	2.139"	9 slots
155077	5.400"	24 slots



Corresponding Stripper Slides and Blades	
Slide	Blade
153303	153302
155060	155061
160572	160573
160576	160577
304463	304464
305541	304465



① Two required to span Guide
 ② 195266 Modification Kit

FIGURE 56. STUNT BOX - MAJOR COMPONENTS

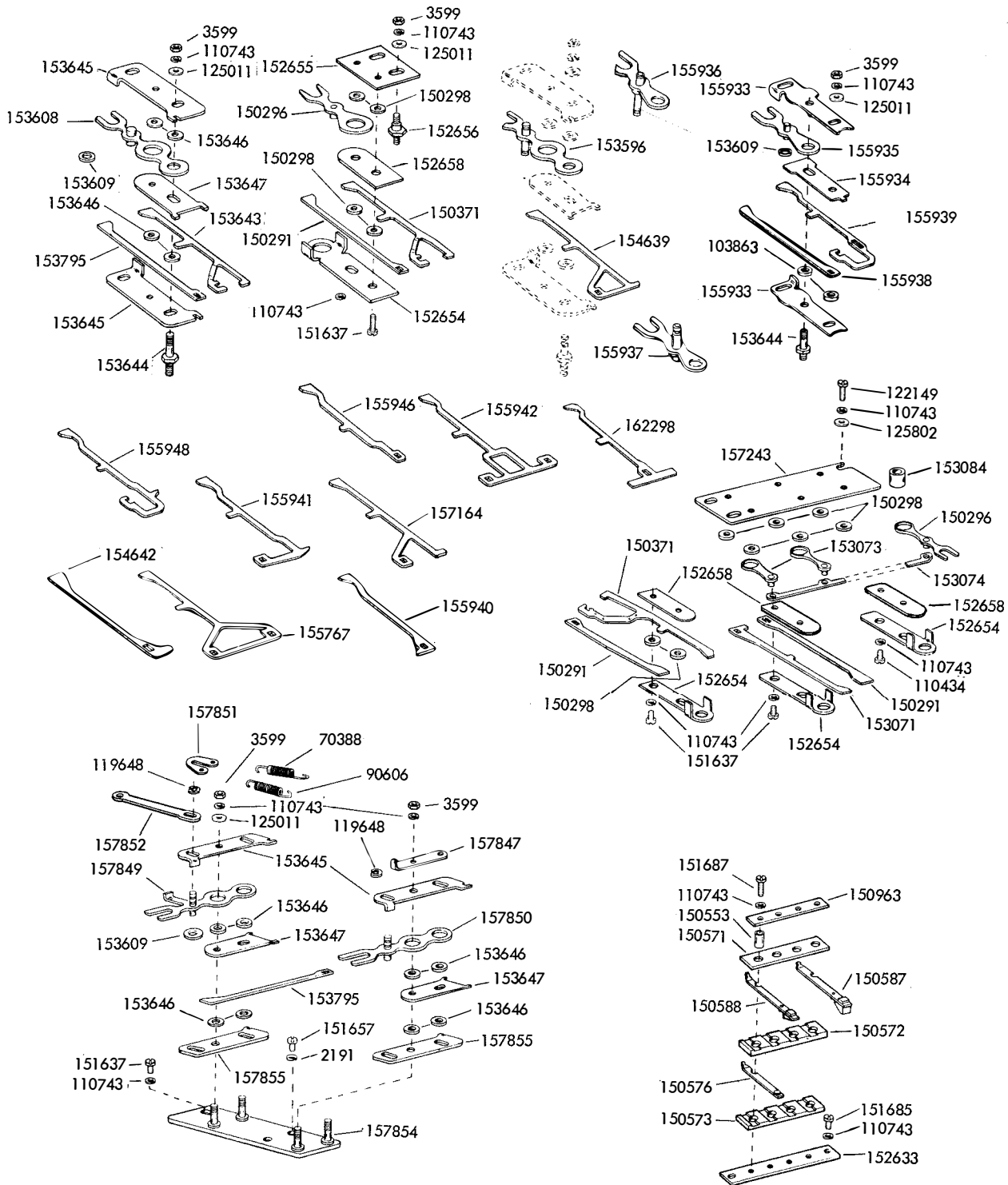
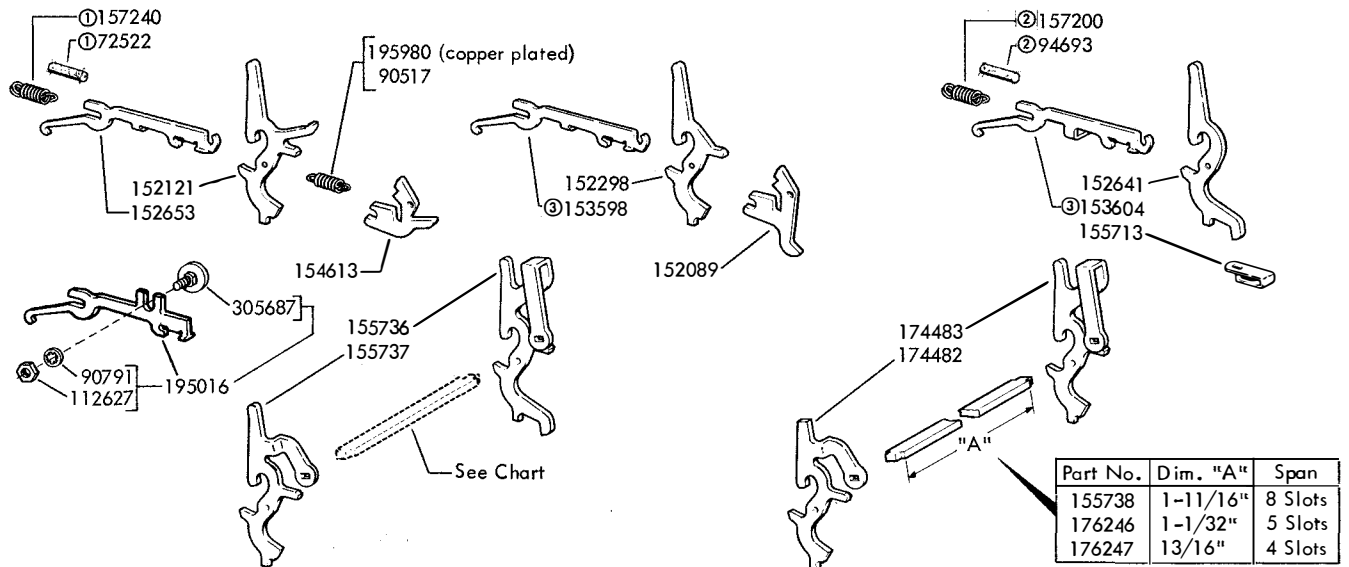


FIGURE 57. SHIFT MECHANISM COMPONENTS

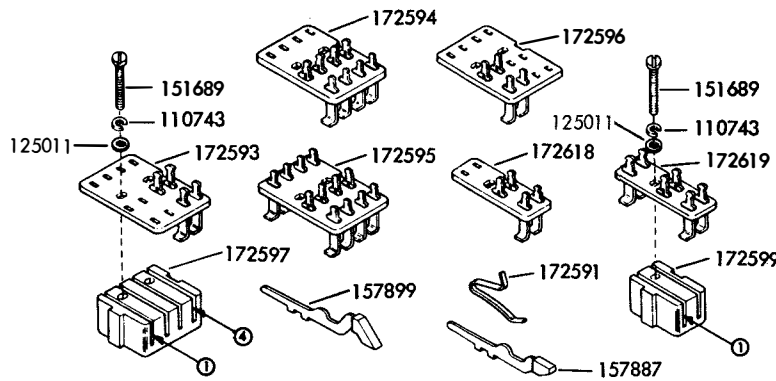


Part No.	Dim. "A"	Span
155738	1-11/16"	8 Slots
176246	1-1/32"	5 Slots
176247	13/16"	4 Slots

① Used on units equipped with One-Stop and Three-Stop Clutches
 ② Used on units equipped with Two-Stop Clutches

③ Not used with Early Design 195109 Stop Plate. Early and Late Design Stop Plates may be identified by their widths. (Early Design width 15/32" - Late Design width 17/32")

FIGURE 58. FUNCTION LEVERS

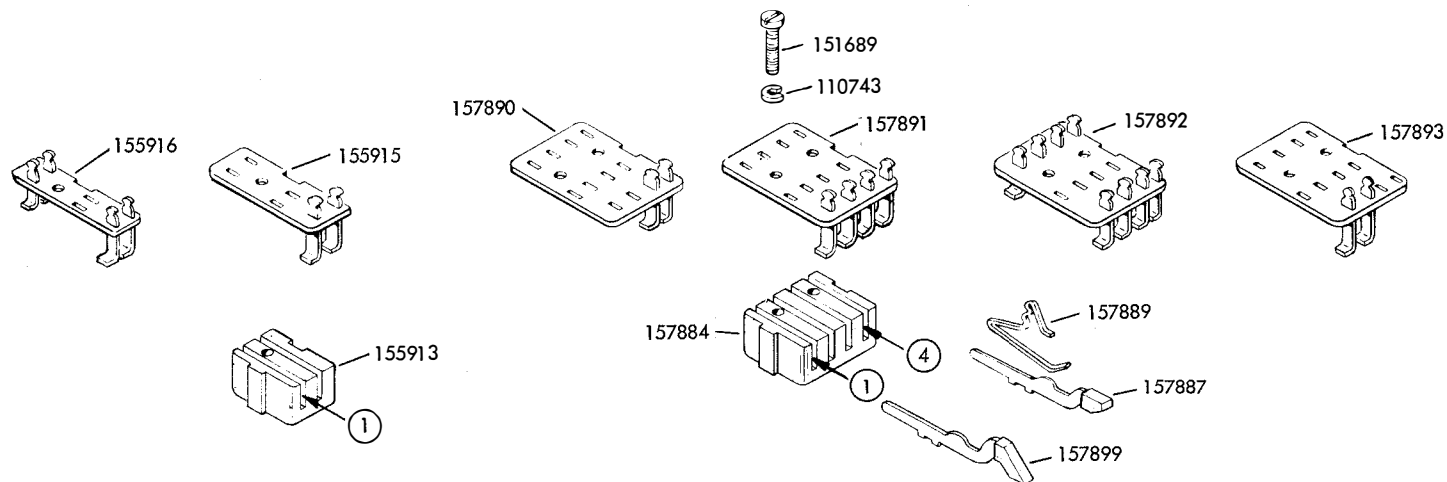


SWITCH ASSEMBLY NO.	CONTACT PLATE NO.	CONTACT ARM POSITION			
		1	2	3	4
172500	172593			157887	157887
172501	172593			157887	
172502	172593				157887
172503	172594	157887	157899	157899	157887
172504	172594	157887			
172505	172594	157899			157899
172506	172594		157887		
172507	172594	157899			
172508	172594	157887	157899		
172509	172594	157899		157899	
172510	172594	157899		157899	157887
172511	172594	157899	157899	157899	157899
172512	172594	157887	157887	157899	
172513	172593			157899	
172514	172594	157887	157887	157887	157887
172515	172594	157887	157887	157887	
172516	172594		157887		157887
172517	172594	157899	157887	157899	157887
172518	172594		157887	157899	157887
172519	172594	157899			157887
172520	172594	157899		157887	157899
172521	172593				157899
172522	172594	157887	157899		157887
172523	172594	157899	157887	157887	157899
172524	172594	157887			157887
172525	172595	157887	157887	157887	157887
172526	172596		157887		
172527	172595			157887	
172528	172595	157887		157887	
172529	172595			157887	157887
172530	172595	157887	157887	157887	
172531	172595	157887			157887
172532	172595	157887			
172533	172595	157887	157887		
172534	172594		157899	157887	
172535	172594			157899	157887
172536	172594	157899	157887	157899	
172538	172595		157887	157887	157887
172539	172595		157887		157887
172540	172594		157899	157887	157887
172541	172594	157899	157887	157887	157887
172542	172594	157887	157899	157887	157887
172543	172594	157899		157887	
172544	172595		157899		157887
172545	172595	157899		157899	
172546	172595	157899		157887	
172547	172595	157887	157899	157887	
172548	172596		157899		
172549	172595				157887
172550	172595	157899			157899
172551	172594		157887	157887	157887
172552	172594	157899		157887	157887
172553	172595		157887	157899	
172554	172594		157899		157899
172555	172595	157899	157887	157899	157899
172556	172595	157887	157887		157887
172557	172594	157887		157887	157887
172558	172595	157899			
172559	172594	157899	157887		
172560	172595	157899	157899	157887	157887
172561	172594		157887	157899	
172562	172594				
172563	172594	157887	157899	157887	157899
172564	172594	157899	157887		157899
172565	172595	157899	157887		
172566	172595		157899		
172567	172595		157887		157899
172568	172595	157887			157887
172569	172595			157887	157887
172570	172595			157887	
172571	172594	157887	157887		157887
172572	172593				157899
172573	172595	157899	157899	157899	157887
172574	172595	157899		157899	157887
172575	172595	157899	157899		
172576	172595	157899	157899	157899	157899
172577	172595	157899	157899	157899	157899
172578	172595		157899	157899	
172579	172595		157899	157887	
172580	172595	157899		157899	157899
172581	172595			157899	157899
172582	172595	157887	157899	157899	
172583	172595			157887	157899
172584	172595		157899	157899	157899
172585	172595	157887	157887		157899
172586	172595			157899	157899
172587	172595			157899	
172588	172595	157887		157899	
172589	172595				157899
172590	172595	⓪	⓪	⓪	⓪
172600	172618	157887			
172601	172618		157887		
172602	172618	157887	157887		
172603	172619	157887			
172604	172619			157887	
172605	172619	157887	157887		
172606	172618	157899			
172607	172618	157899	157899		
172608	172619	157899			

⓪172591 Contact Arm Spring included in slot
For Early Design, see Figure 60

FIGURE 59. SWITCH ASSEMBLIES AND COMPONENTS

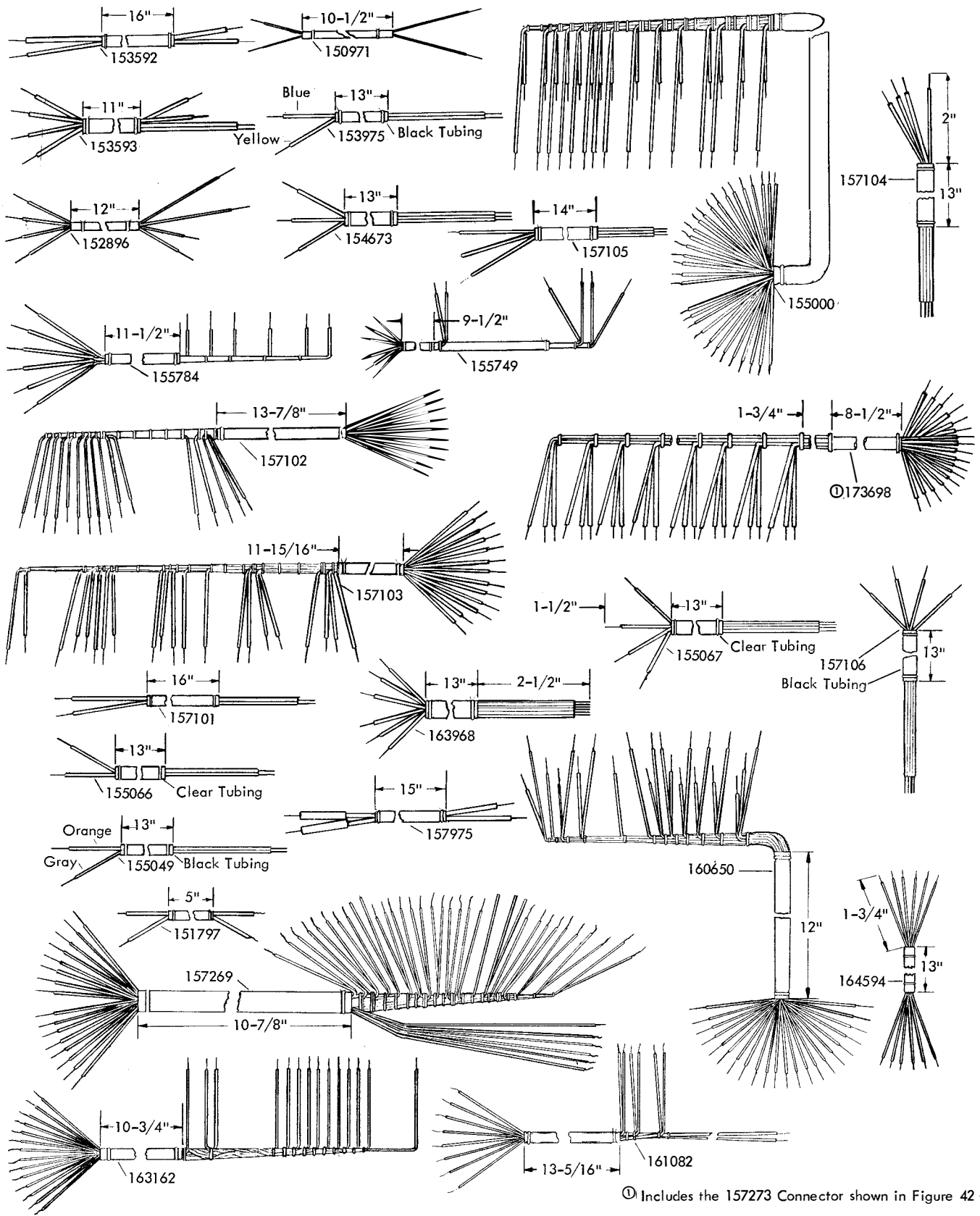
FIGURE 60. SWITCH ASSEMBLIES AND COMPONENTS



SWITCH ASSEMBLY NO.	CONTACT PLATE NO.	CONTACT ARM POSITION		SWITCH ASSEMBLY NO.	CONTACT PLATE NO.	CONTACT ARM POSITION				SWITCH ASSEMBLY NO.	CONTACT PLATE NO.	CONTACT ARM POSITION			
		1	2			1	2	3	4			1	2	3	4
155917	155915	157887		157070	157890			157887	157887	160192	157892	157887		157887	157887
155918	155915		157887	157071	157890					160193	157892	157887			
155919	155915	157887	157887	157072	157890					160194	157892	157887	157887		
155920	155916	157887		157073	157891	157887	157899	157899	157887	160195	157891		157899	157887	
155921	155916		157887	157074	157891	157887				160196	157891			157899	157887
155922	155916	157887	157887	157075	157891	157899			157899	160197	157891	157899	157887	157899	
155923	155915		157899	157076	157891		157887			160198	157891		157899	157887	
155924	155915		157899	157077	157891	157899				160199	157892		157887	157887	157887
155925	155915	157899		157078	157891	157887	157899			160200	157892		157887		157887
				157079	157891	157899		157899		160201	157891		157899	157887	157887
				157080	157891	157899			157899	160202	157891	157899	157887	157887	157887
				157081	157891	157899	157899	157899	157899	160203	157891	157887	157899	157887	157887
				157082	157891	157887	157887	157899		160204	157891	157899		157887	
				157083	157890			157899		160205	157892		157899		157887
				157084	157891	157887	157887	157887	157887	160206	157892	157899		157899	
				157085	157891	157887	157887	157887	157887	160207	157892	157899		157887	
				157086	157891		157887			160208	157892	157887	157899	157887	
				157087	157891	157899	157887	157899	157887	160209	157893		157899		
				157088	157891		157887	157899	157887	160210	157892				157887
				157089	157891	157899			157887	160211	157892	157899			157899
				157090	157891	157899		157887	157899	160212	157891		157887	157887	157887
				157091	157890				157899	160213	157891	157899		157887	157887
				157092	157891	157887	157899		157887	160214	157892		157887	157899	
				157093	157891	157899	157887	157887	157899	160215	157891		157899		157899
				157094	157891	157887			157887	160216	157892	157899	157887	157899	157899
				157095	157892	157887	157887	157887	157887	160217	157892	157887	157887		157887
				157096	157893		157887			160218	157891	157887		157887	157887
				157097	157892			157887		160219	157892	157899	157899	157887	157887
				157098	157892	157887		157887		160220	157891	157899	157887		
				157099	157892			157887	157887						
				157100	157892	157887	157887	157887							

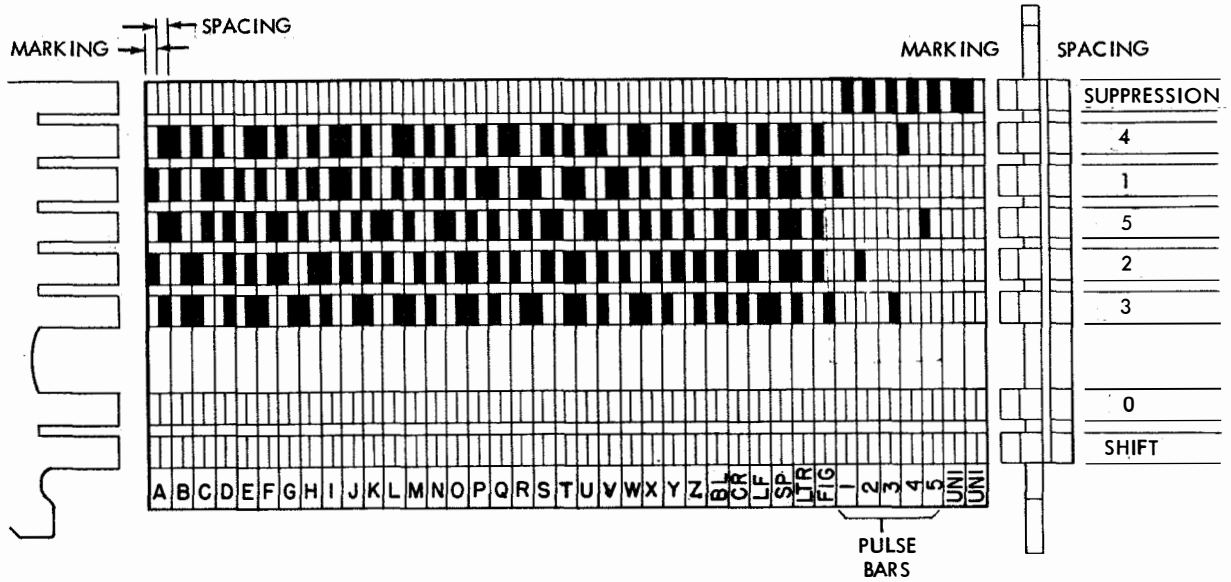
Early Design Parts

See note 27 on page 116



① Includes the 157273 Connector shown in Figure 42.

FIGURE 61. CABLE ASSEMBLIES

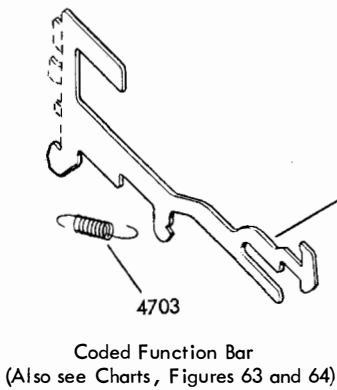


Blank squares indicate the Tines that should be removed to code the 153440 Function Bar.

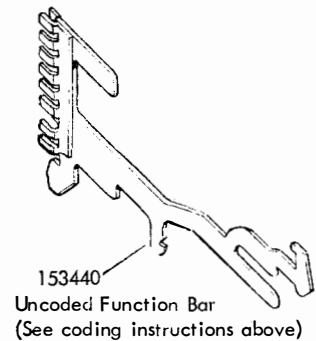
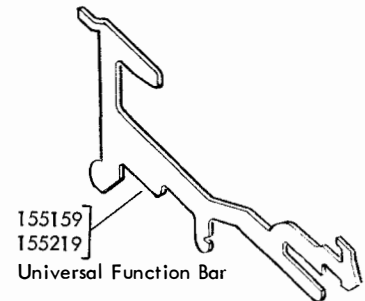
Additional levels at which the Function Bar can be controlled.

SUPPRESSION TINES	MARKING SPACING	NON-PRINT PRINT
0 TINES	MARKING SPACING	SELECT NON-SELECT
SHIFT TINES	MARKING SPACING	UPPER CASE LOWER CASE

These terms apply only to Selective Calling.



- 152665 — THROUGH — 152704
- 153160 — THROUGH — 153169
- 153409 — THROUGH — 153438
- 153520 — THROUGH — 153528
- 155100 — THROUGH — 155135
- 155141 — THROUGH — 155145
- 155176 — THROUGH — 155180
- 155191 — THROUGH — 155218
- 155246 — THROUGH — 155250
- 155286 — THROUGH — 155290
- 155294 —
- 155296 — THROUGH — 155300
- 155306 — THROUGH — 155307
- 155311 — THROUGH — 155315
- 155326 — THROUGH — 155330
- 155336 — THROUGH — 155340
- 155366 — THROUGH — 155370
- 162636 — THROUGH — 162640



Note: For removing Tines, use 161686 Tine Tool.

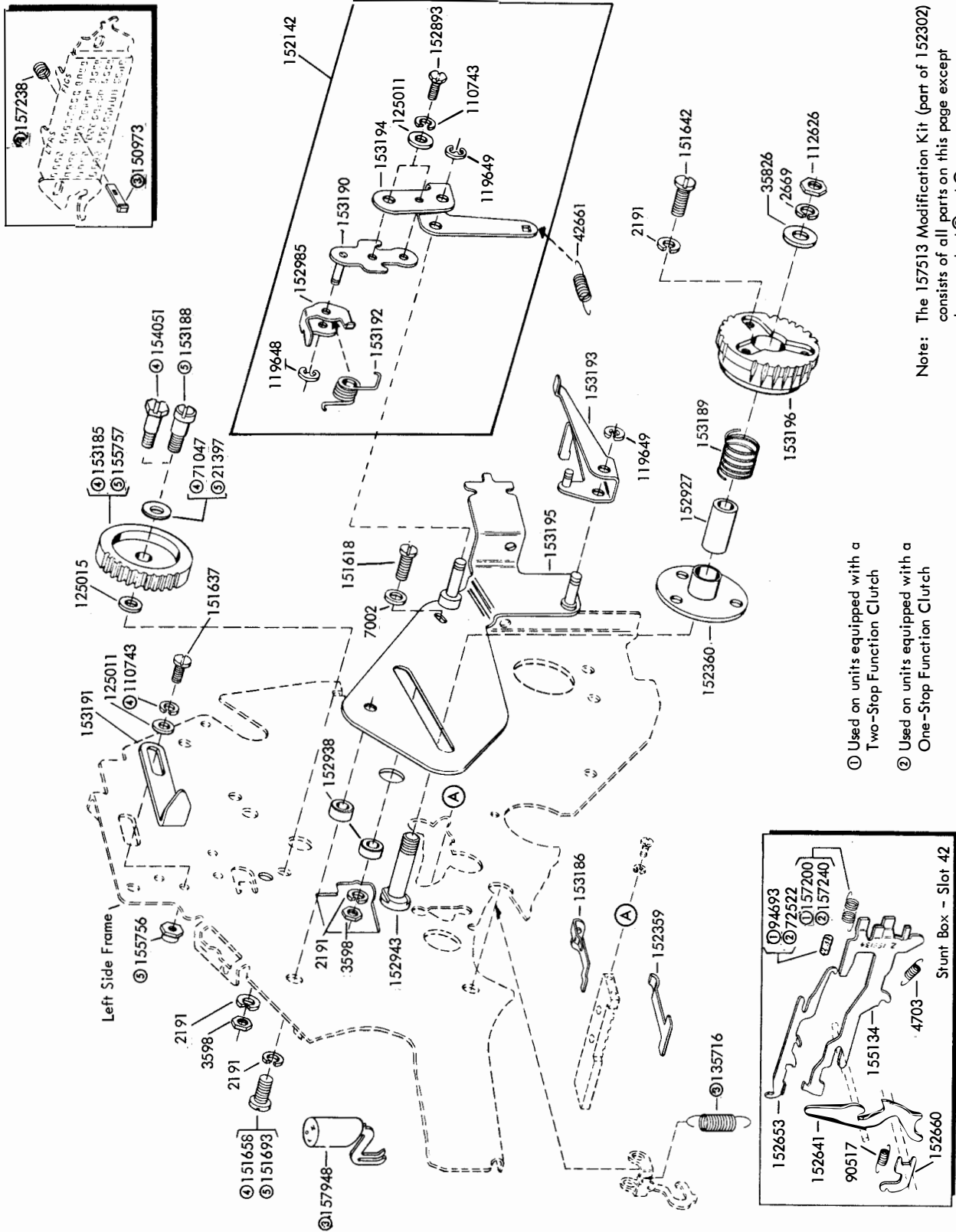
FIGURE 62. FUNCTION BARS

CONDITION OF TYPING UNIT FOR FUNCTION BAR SELECTION	NO RESTRICTION	UPPER CASE	LOWER CASE	SELECT	NON-SELECT	PRINT	NON-PRINT	CONDITION OF TYPING UNIT FOR FUNCTION BAR SELECTION
A	152676			155100	153409	155191		A
B	152677	153526		155101	153410	155192		B
C	152678	153520		155102	153411	155193		C
D	152679	153521		155103	153412	155194		D
E	152680	153166		155104	153413	155195		E
F	152681	153160	155326	155105	153414	155196	155286	F
G	152682	153162	155327	155106	153415	155197	155287	G
H	152683	152673	155328	155107	153416	155198	155288	H
I	152684	155249	155329	155108	153417	155199	155289	I
J	152685	152694	155330	155109	153418	155200	155290	J
K	152686	153529		155110	153419	155201		K
L	152687	153522		155111	153420	155202		L
M	152688	152674		155112	153421	155203		M
N	152689	153523		155113	153422	155204	155294	N
O	152690	153528		155114	153423	155205		O
P	152691	155250	155336	155115	153424	155206	155296	P
Q	152692	153165	155337	155116	153425	155207	155297	Q
R	152695	153167	155338	155117	153426	155208	155298	R
S	152696	152672	155339	155118	153427	155209	155299	S
T	152697	153524	153169	155119	153428	155210	155300	T
U	152698	155248	155340	155120	153429	155211		U
V	152699	153164		155121	153430	155212		V
W	152700	153163		155122	153431	155213		W
X	152701	153525		155123	153432	155214		X
Y	152702	153527		155124	153433	155215		Y
Z	152703	153161		155125	153434	155216	155306	Z
BLANK LETTERS	152669	152693	152675	155312		155217	155307	BLANK LETTERS
FIGURES	152665			155313		153438		FIGURES
SPACE	152666							SPACE
CARRIAGE-RETURN	155129			155314	152670			CARRIAGE-RETURN
LINE FEED	152667			155128	199519	155127		LINE FEED
ANY CHARACTER OR FUNCTION	152668			155315		153435	155130	ANY CHARACTER OR FUNCTION
M & N	152704	153168		155311	152671			M & N
M & V	199518			155132				M & V
PULSE #1				155218				PULSE #1
" #2						162636		" #2
" #3						162637		" #3
" #4						162638		" #4
" #5						162639		" #5
UNIV.						162640	155159	UNIV.
POSITION OF FUNCTION BAR TINES		MARKING	SPACING	MARK-ING	SPACING	SPAC-ING	MARKING	SUPPRESSION LEVEL ZERO LEVEL SHIFT LEVEL

FIGURE 63. FUNCTION BAR CONDITION CHART

FIGURE 64. FUNCTION BAR CONDITION CHART

CONDITION OF TYPING UNIT FOR FUNCTION BAR SELECTION		PRINT NON-SELECT	PRINT UPPER CASE	PRINT SELECT	SELECT LOWER CASE	PRINT LOWER CASE	SELECT UPPER CASE	NON-SELECT LOWER CASE	CONDITION OF TYPING UNIT FOR FUNCTION BAR SELECTION
CHARACTER OR FUNCTION	A								A
	B								B
	C								C
	D								D
	E								E
	F		155141						F
	G		155135						G
	H		155142		155133				H
	I		155143						I
	J		155131						J
	K		155144						K
	L		155145						L
	M								M
	N								N
	O								O
	P					155176		155366	P
	Q					155177		155367	Q
	R					155178		155368	R
	S		153437			155179		155369	S
	T					155180		155370	T
	U								U
	V								V
	W								W
	X								X
	Y								Y
	Z		155134					155246 155247	Z
BLANK								BLANK	
LETTERS								LETTERS	
FIGURES								FIGURES	
SPACE								SPACE	
CARRIAGE-RETURN								CARRIAGE-RETURN	
LINE FEED								LINE FEED	
ANY CHARACTER OR FUNCTION		153436		155126				ANY CHARACTER OR FUNCTION	
M & N								M & N	
M & V								M & V	
PULSE #1								PULSE #1	
" 2								" 2	
" 3								" 3	
" 4								" 4	
" 5								" 5	
UNIV.								UNIV.	
POSITION OF FUNCTION BAR TINES	SUPPRESSION LEVEL ZERO LEVEL SHIFT LEVEL	SPACING SPACING	SPACING MARKING	SPACING MARKING	MARKING SPACING	SPACING SPACING	MARKING MARKING	SPACING SPACING	SUPPRESSION LEVEL ZERO LEVEL SHIFT LEVEL



- ① Used on units equipped with a Two-Stop Function Clutch
- ② Used on units equipped with a One-Stop Function Clutch

Note: The 157513 Modification Kit (part of 152302) consists of all parts on this page except those marked ③ and ④

Note: The 162847 Modification Kit (part of 155763) consists of all parts on this page except those marked ③ and ④

Specification 57515

FIGURE 65. 152302 (SPROCKET FEED) AND 155763 (FRICTION FEED) MODIFICATION KITS TO PROVIDE PAGE FEED-OUT ON UPPER CASE "Z"

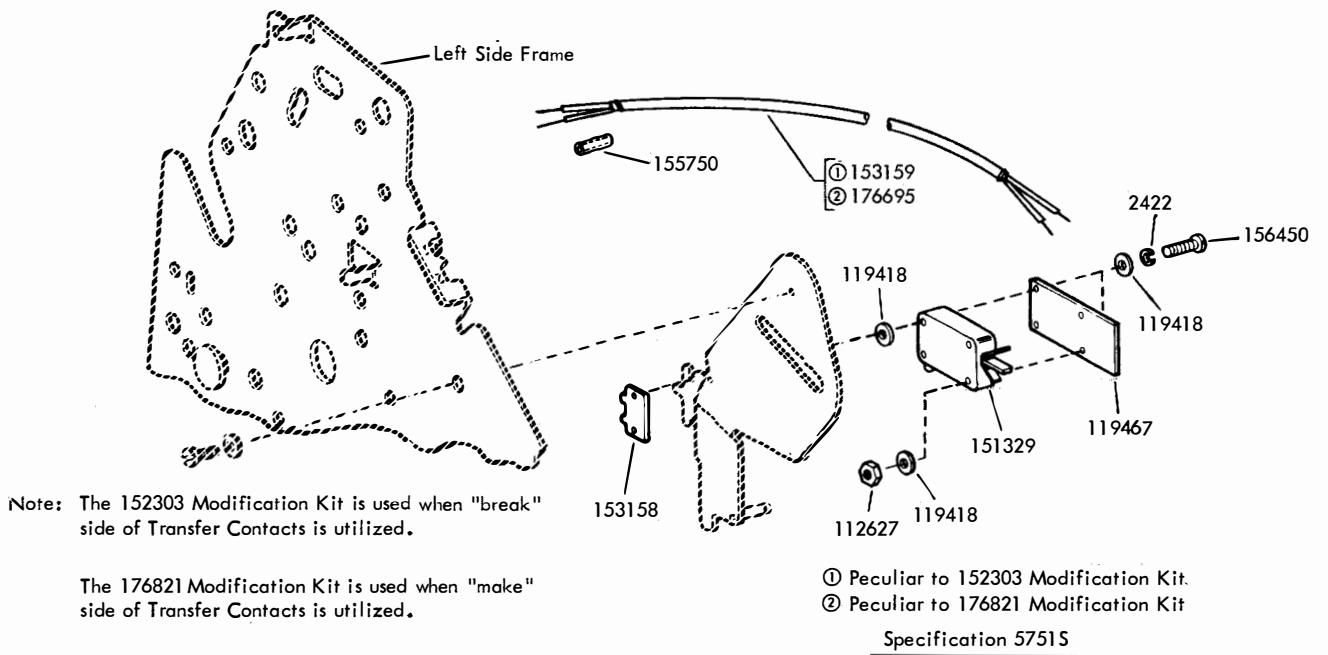


FIGURE 66. 152303 AND 176821 MODIFICATION KITS TO PROVIDE PAGE FEED-OUT TRANSMITTER CONTROL

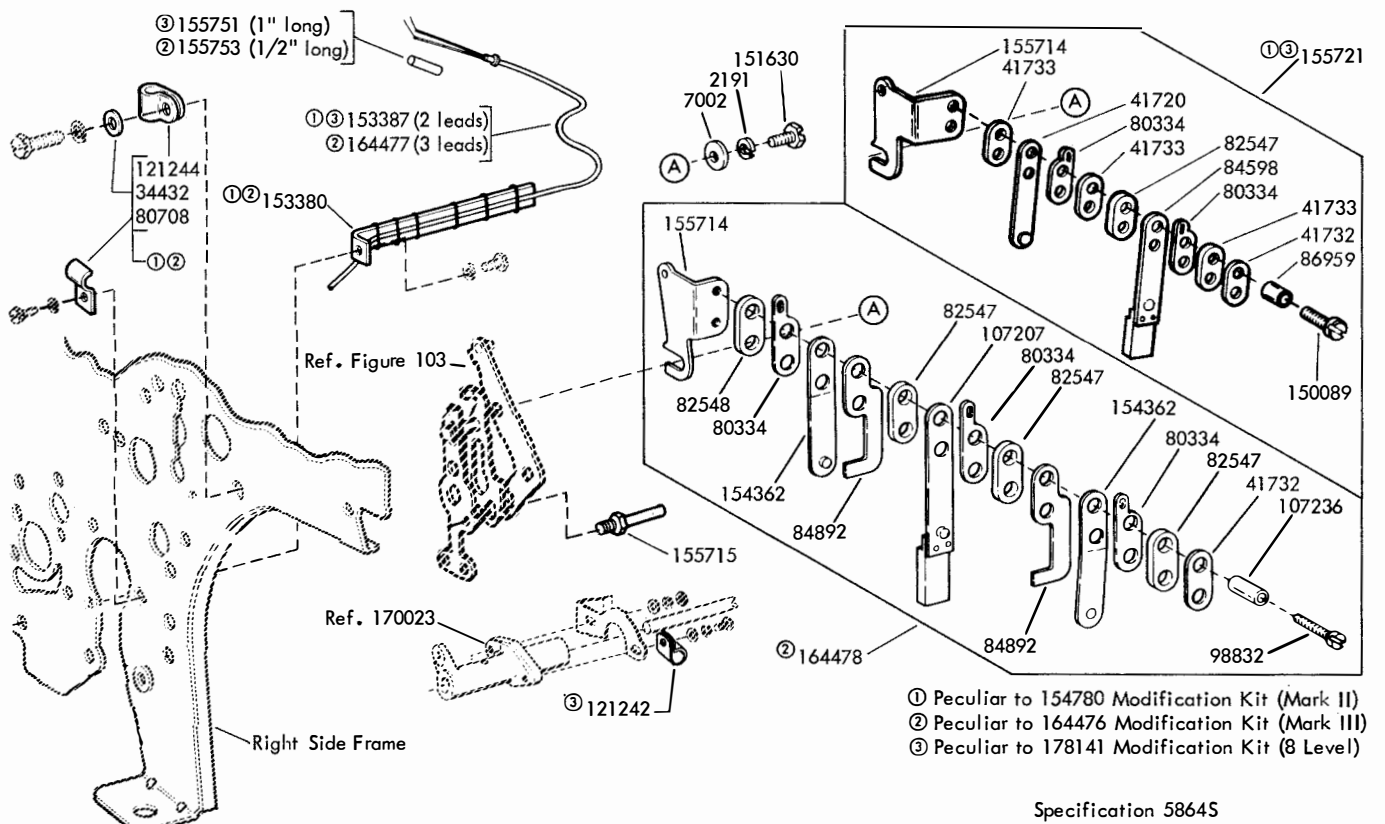
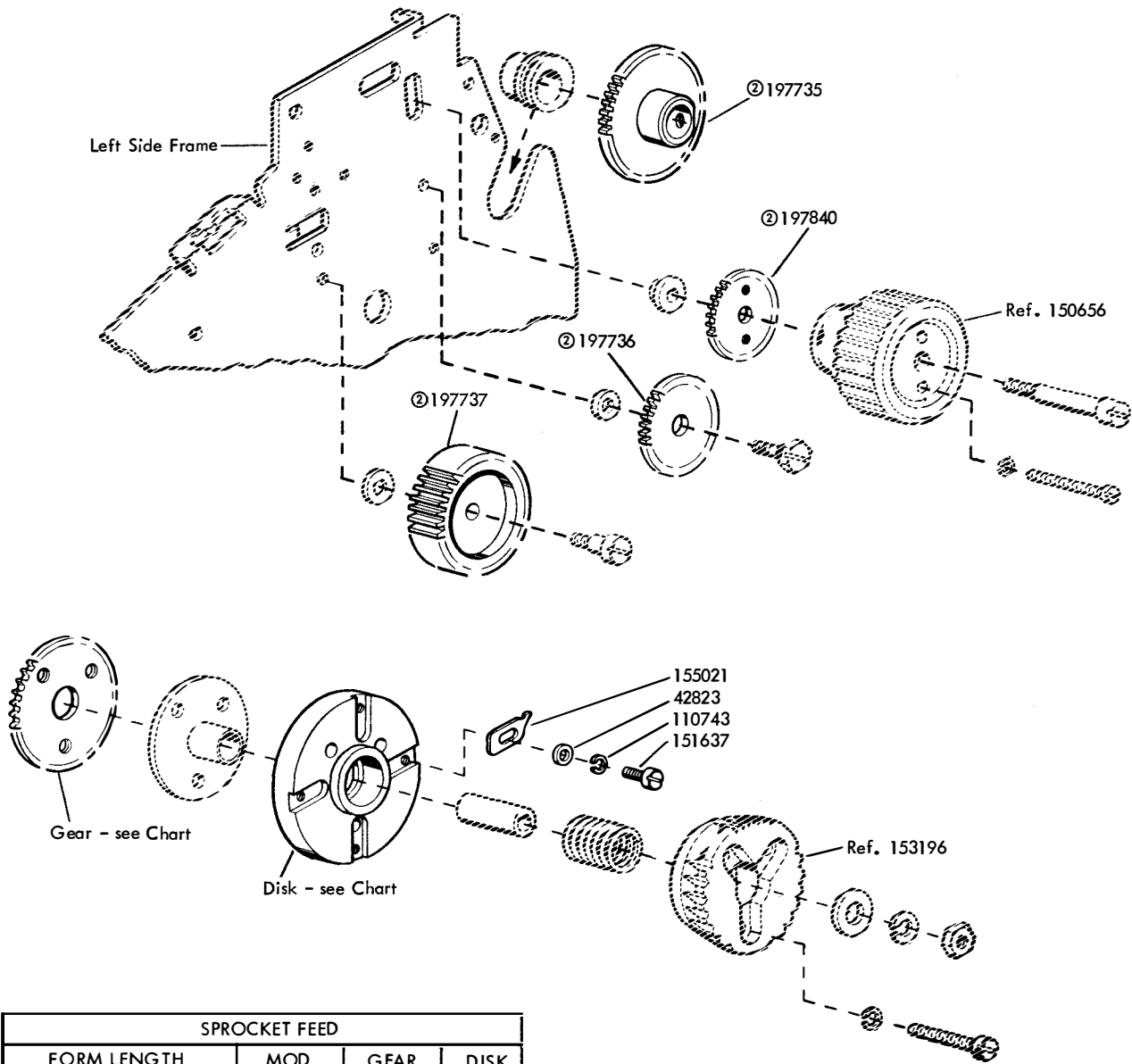


FIGURE 67. 154780, 164476 AND 178141 MODIFICATION KITS TO PROVIDE HORIZONTAL TABULATOR XD CONTROL



SPROCKET FEED			
FORM LENGTH IN INCHES	MOD. KIT	GEAR NO.	DISK NO.
7-1/2, 15	153927	153207	153217
3-1/2, 7, 14	153928	153206	153216
6-1/2, 13	153929	153205	153215
3, 6, 12	153930	153204	153214
5-1/2, 11	153931	153203	153213
5, 10	153932	153202	153212
9-1/2	153933	153201	153211
4-1/2, 9	153934	153200	153210
8-1/2	153935	153199	153209
2, 4, 8	153936	153198	153208
3-2/3, 7-1/3, 14-2/3	161140	161250	161260
3-1/4, 6-1/2, 13	①197847	197732	197730
4-1/4	②197848	197731	197729

FRICTION FEED			
FORM LENGTH IN INCHES	MOD. KIT	GEAR NO.	DISK NO.
5-1/2, 11	155765	155758	153213
2, 4, 8	161767	155759	153208

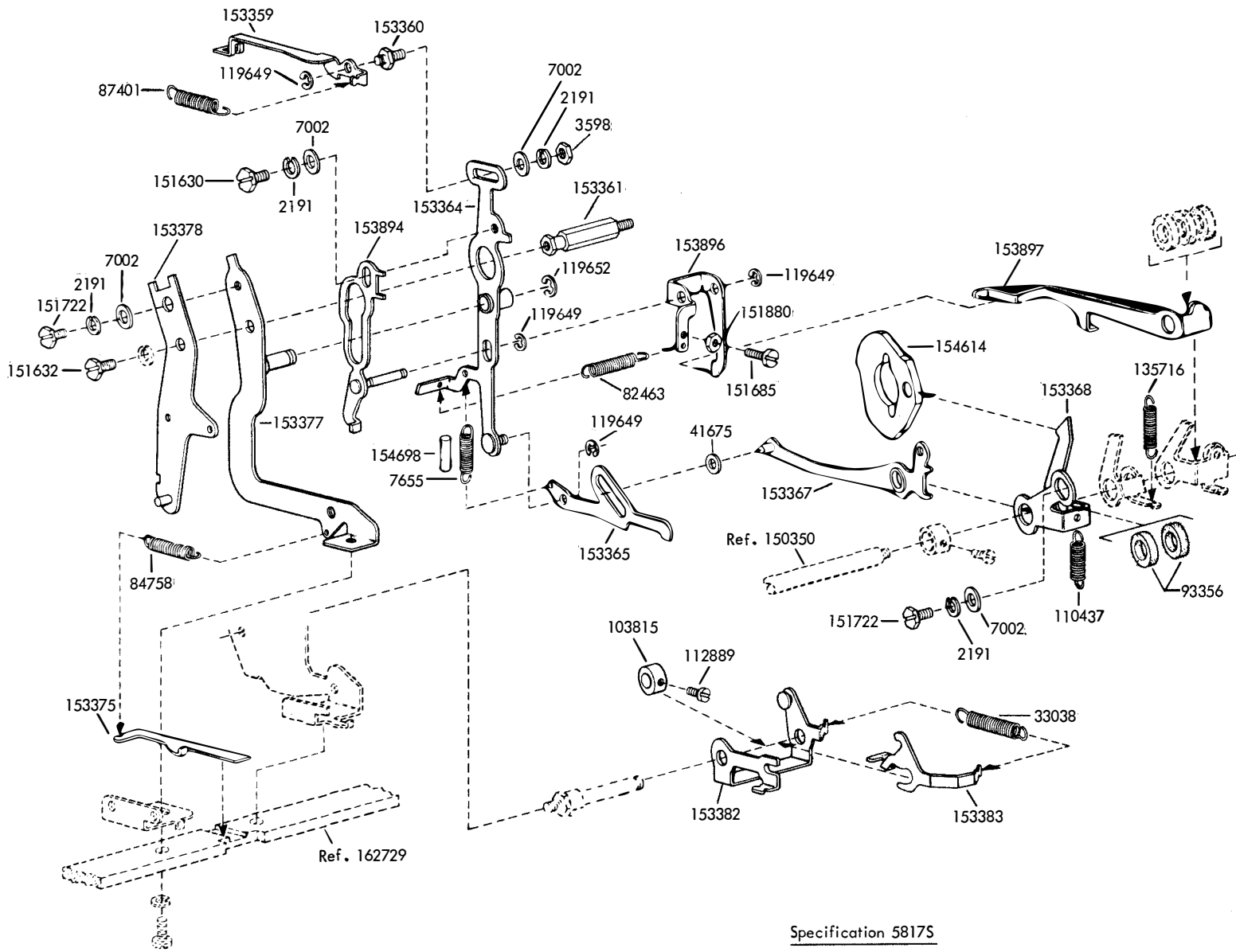
① The 197847 and 197848 Modification Kits can only be used with the 154742 Modification Kit (4 lines per inch)

② Part of 197847 and 197848 Modification Kits only

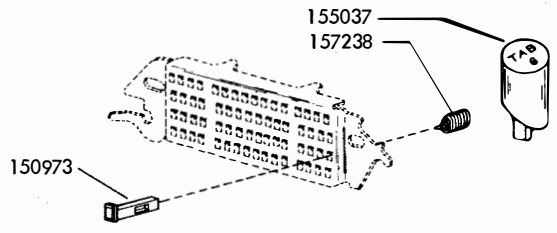
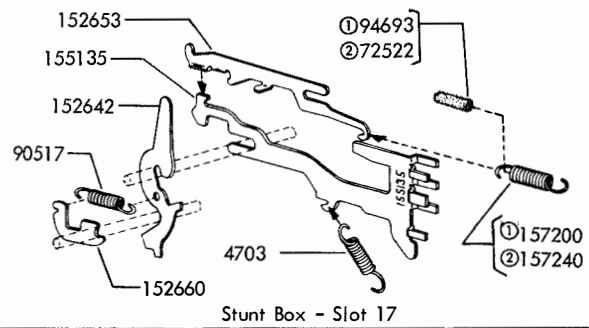
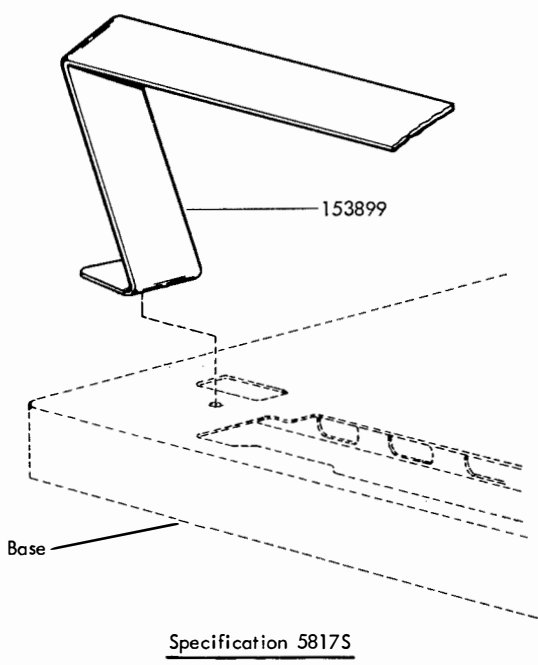
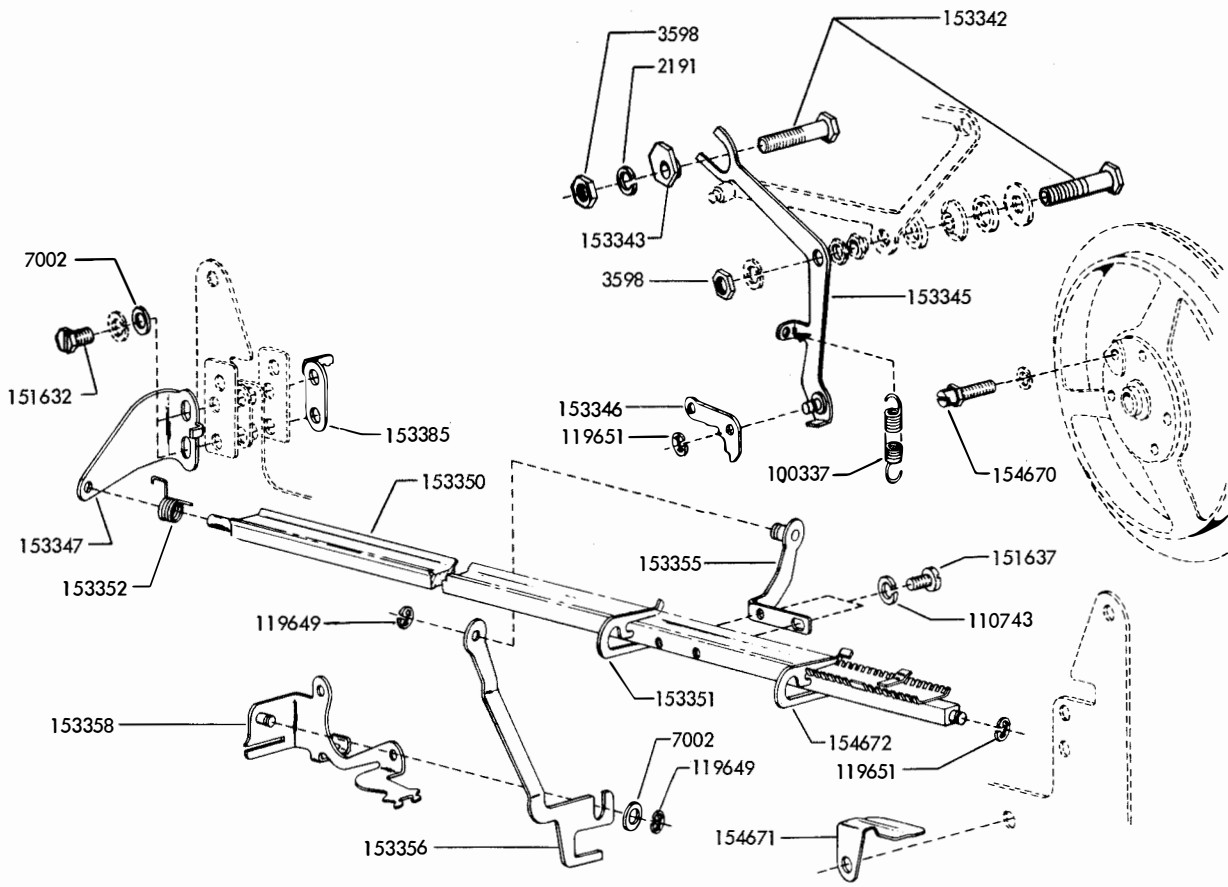
Specification 57515

FIGURE 68. PAGE FEED-OUT FORM LENGTH GEAR AND DISK MODIFICATION KITS

FIGURE 69. 152304 MODIFICATION KIT TO PROVIDE HORIZONTAL TABULATION
 (CONTINUED ON NEXT PAGE)

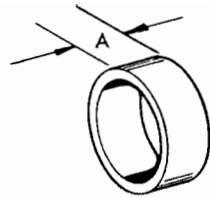


Specification 58175



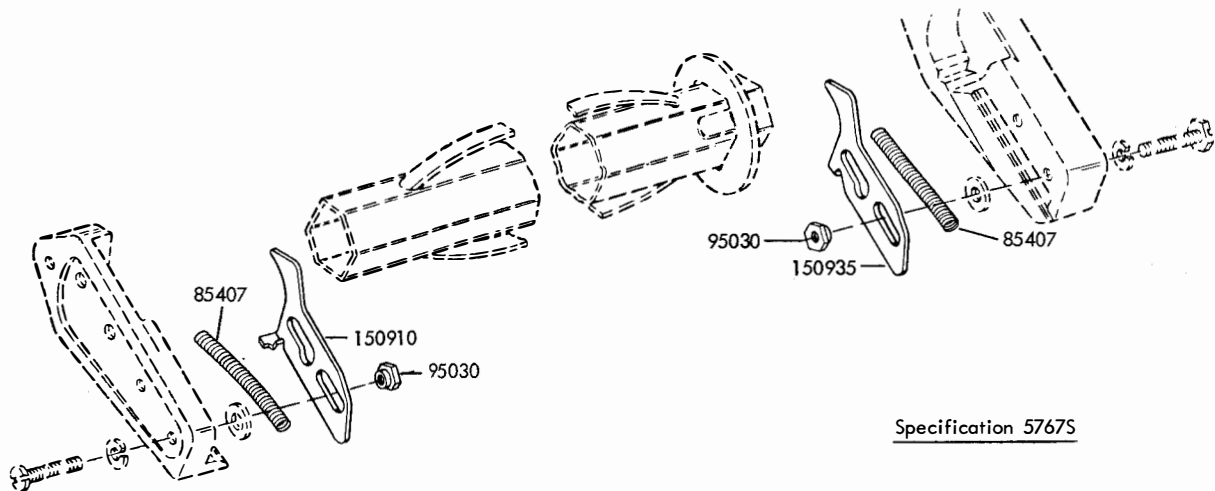
- ① Used on units equipped with a Two-Stop Function Clutch
- ② Used on units equipped with a One-Stop Function Clutch

FIGURE 70. 152304 MODIFICATION KIT TO PROVIDE HORIZONTAL TABULATION (CONTINUED FROM PRECEDING PAGE)



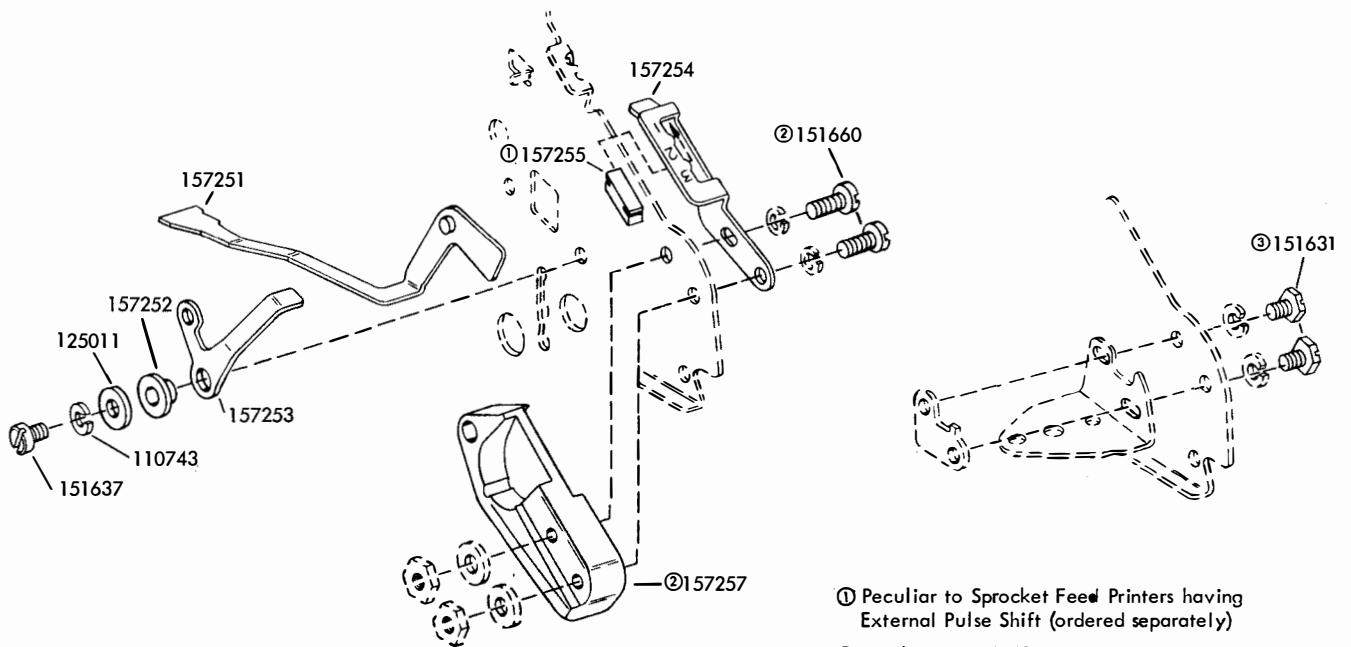
Part No.	Dim. "A"
155581	.250
155582	.500
155583	1.000
155584	2.000

FIGURE 71. 159362 MODIFICATION KIT TO PROVIDE SPACERS FOR CENTERING NARROW PAPER ROLL ON SPINDLE



Specification 57675

FIGURE 72. 151799 MODIFICATION KIT TO PROVIDE LATCHES FOR PAPER SPINDLE



- ① Peculiar to Sprocket Feed Printers having External Pulse Shift (ordered separately)
- ② Peculiar to 154743 - Friction Feed
- ③ Peculiar to 152315 - Sprocket Feed

Specification 58005

FIGURE 73. 152315 AND 154743 MODIFICATION KITS TO PROVIDE MANUAL SELECTION OF STUNT BOX OPERATION

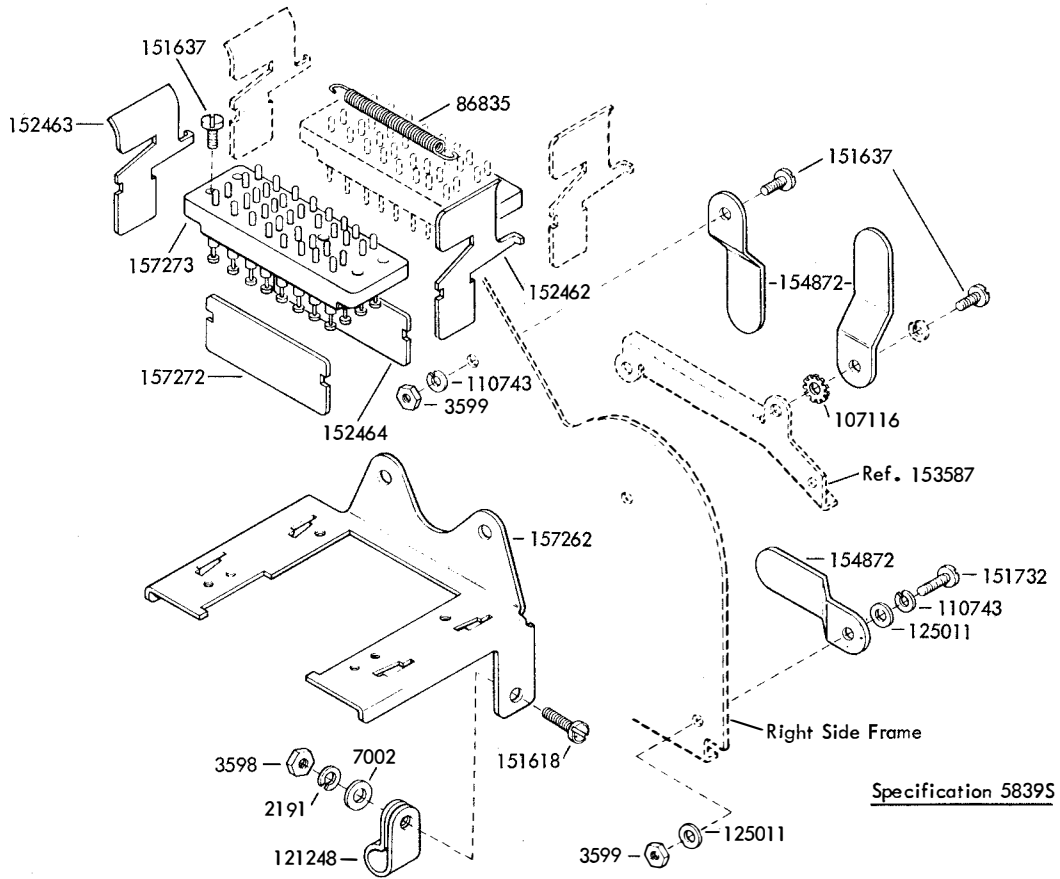


FIGURE 74. 154727 MODIFICATION KIT TO PROVIDE AUXILIARY CONNECTOR

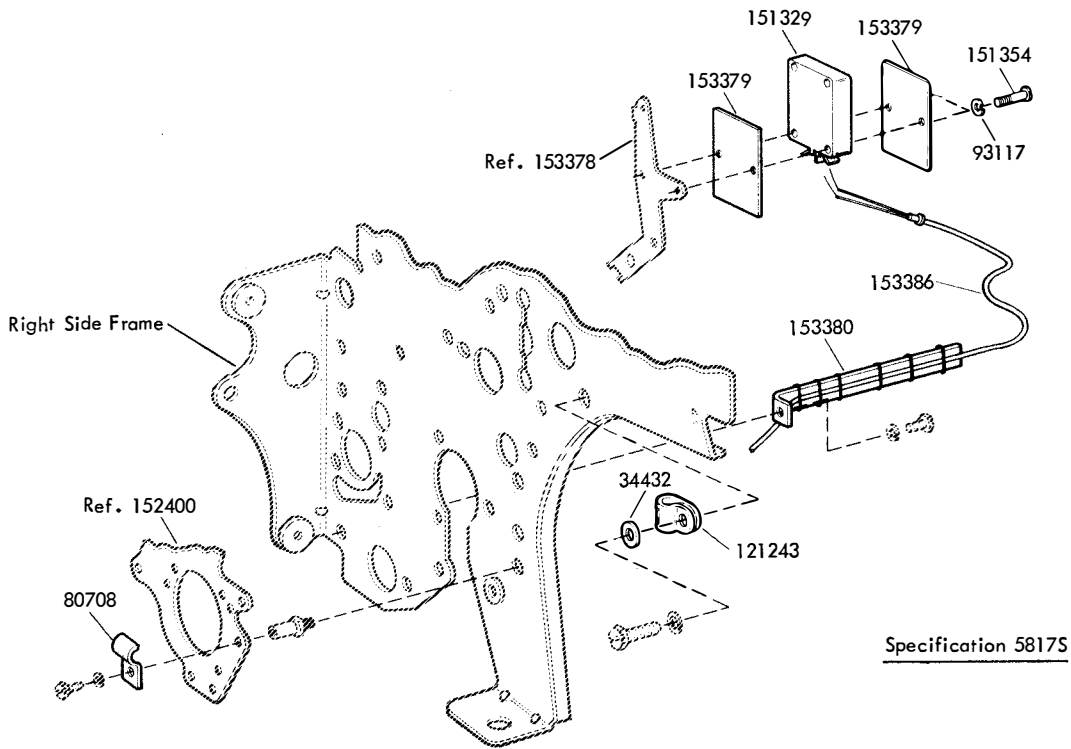
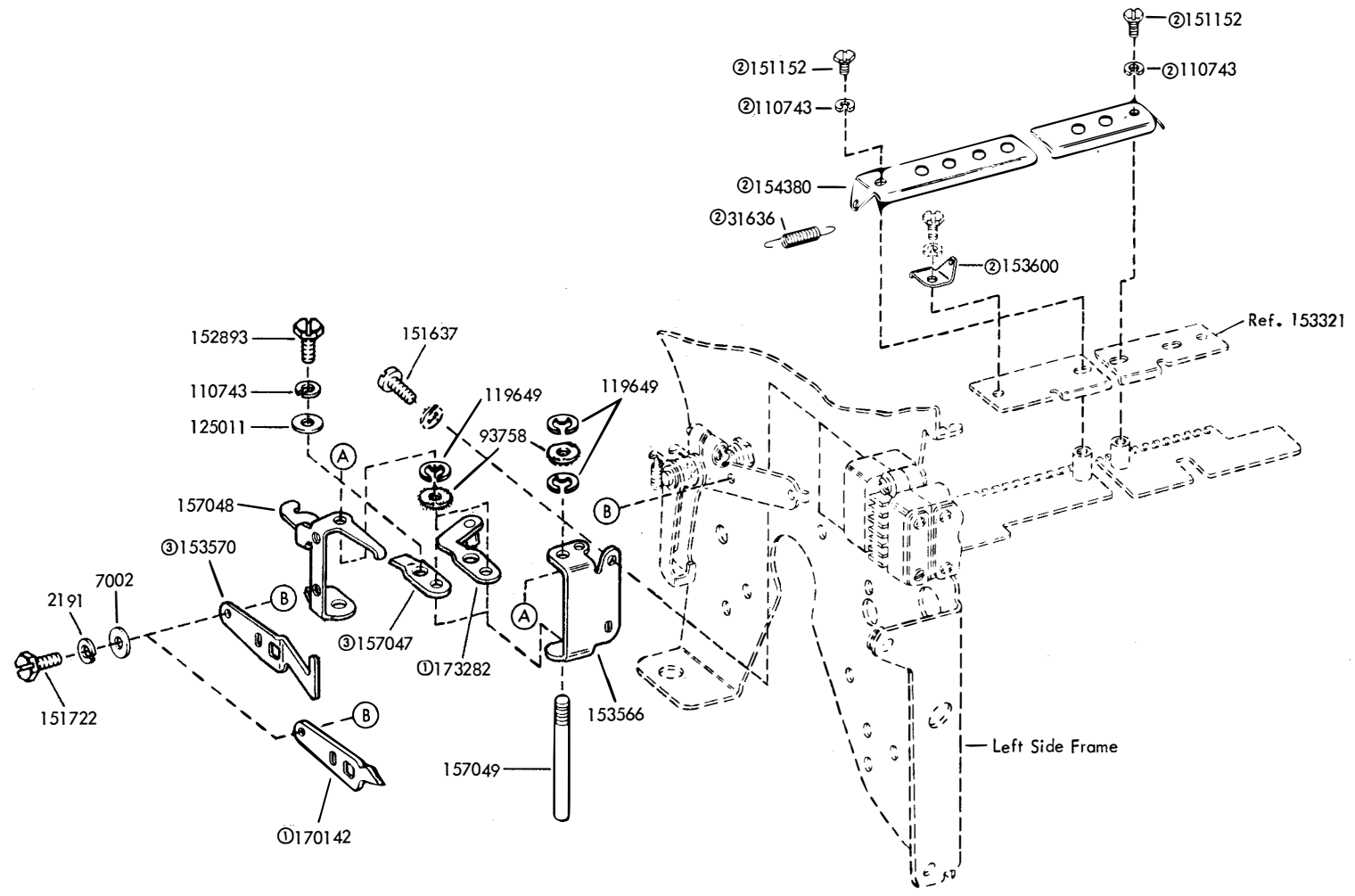


FIGURE 75. 152317 MODIFICATION KIT TO PROVIDE HORIZONTAL TABULATOR XD CONTROL

FIGURE 76. 152337 157509 AND 173283 MODIFICATION KITS TO PROVIDE ON-LINE STUNT SHIFT CONTROL



Specification 58235

- ① Part of 173283 Modification Kit (8 Level)
- ② Part of 152337 (Mark II) and 173283 (8 Level) Modification Kits
- ③ Part of 152337 (Mark II) and 157509 (Mark III) Modification Kits

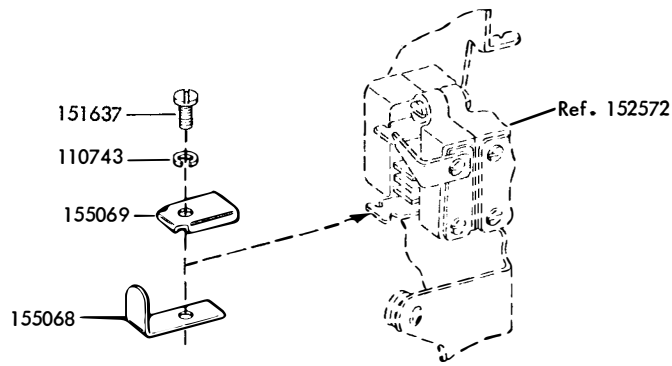
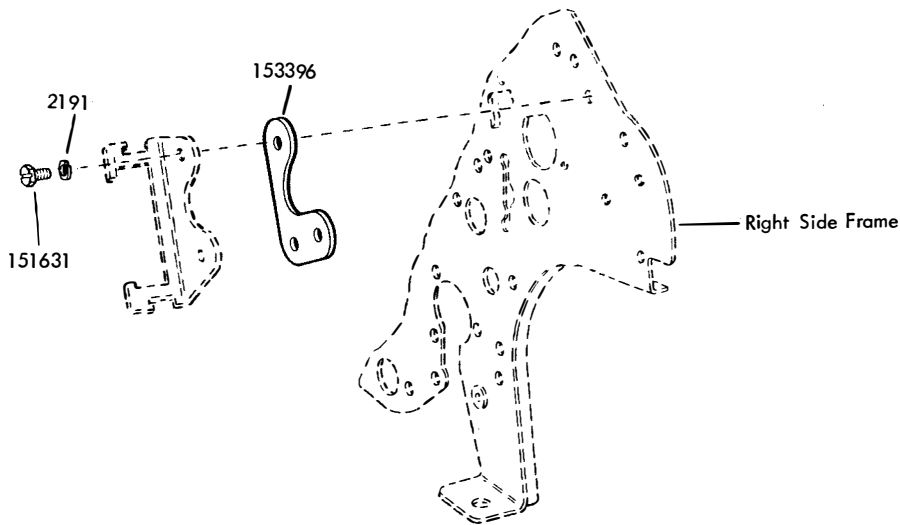
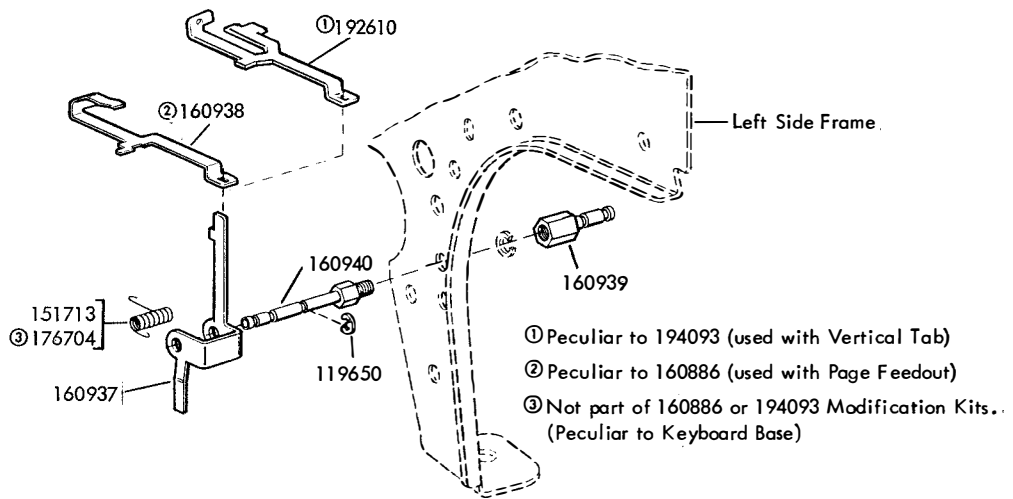


FIGURE 77. 153912 MODIFICATION KIT TO PROVIDE FIGS-LTRS CODE BAR MANUAL SHIFTING



Specification 57935

FIGURE 78. 152312 MODIFICATION KIT TO CONVERT PRINTER FOR USE WITH LIGHTWEIGHT SET



Specification 58905

FIGURE 79. 160886 AND 194093 MODIFICATION KITS TO PROVIDE LOCAL FORM FEED-OUT (RECEIVING ONLY BASE)

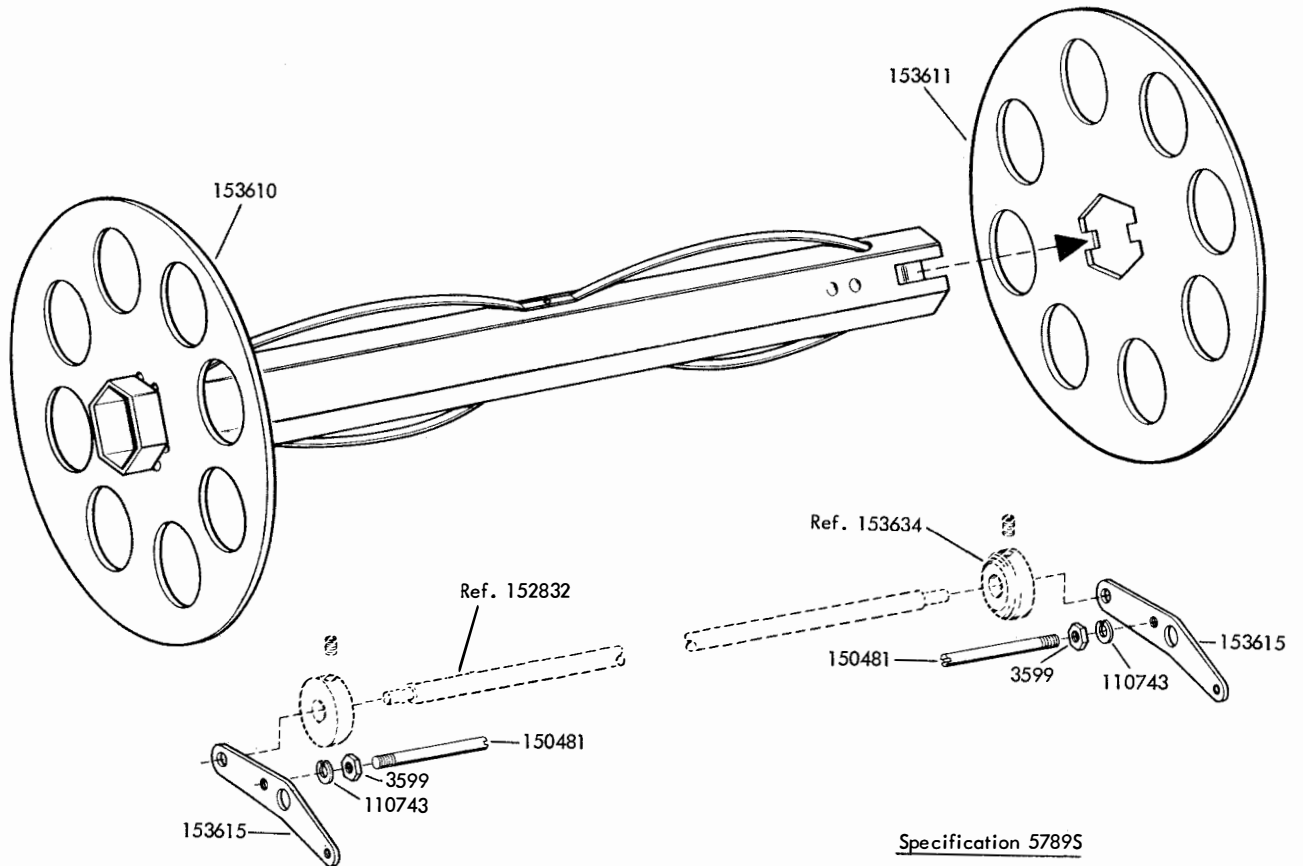


FIGURE 80. 152340 MODIFICATION KIT TO PROVIDE MULTI-COPY PAPER HANDLING

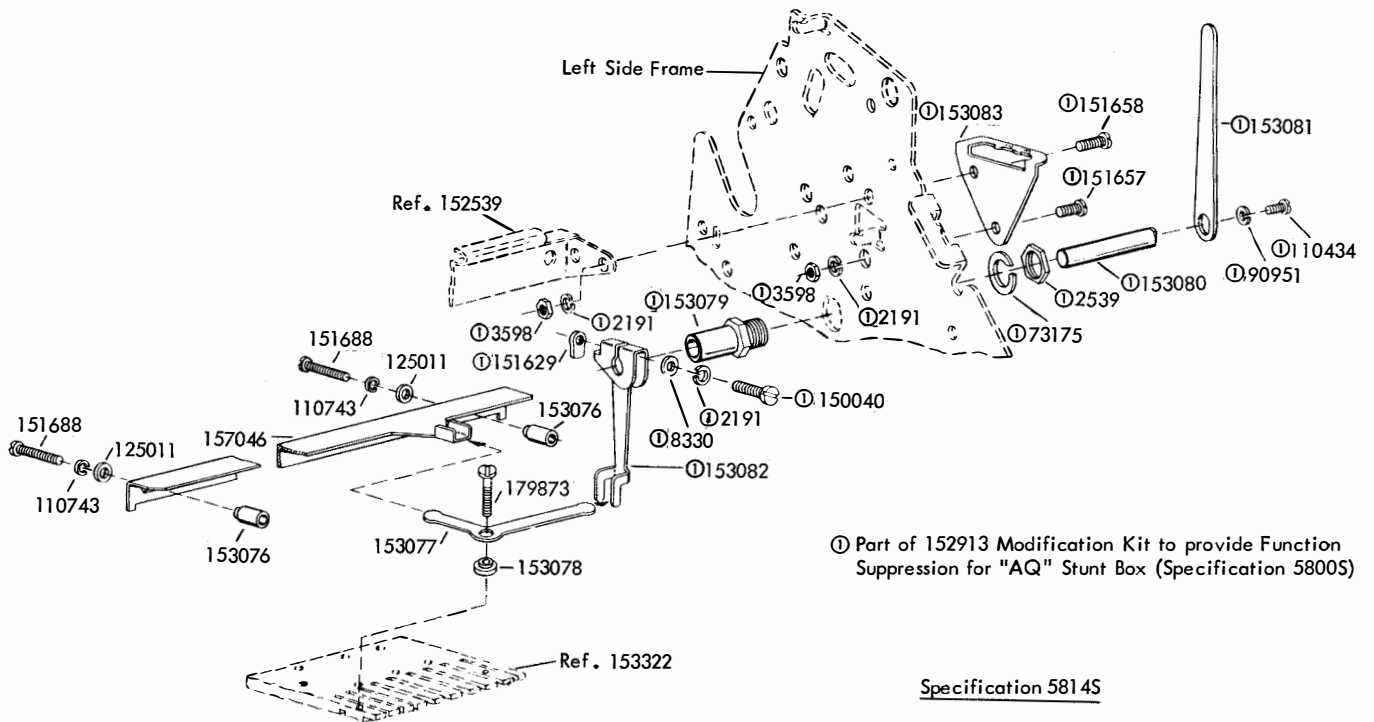
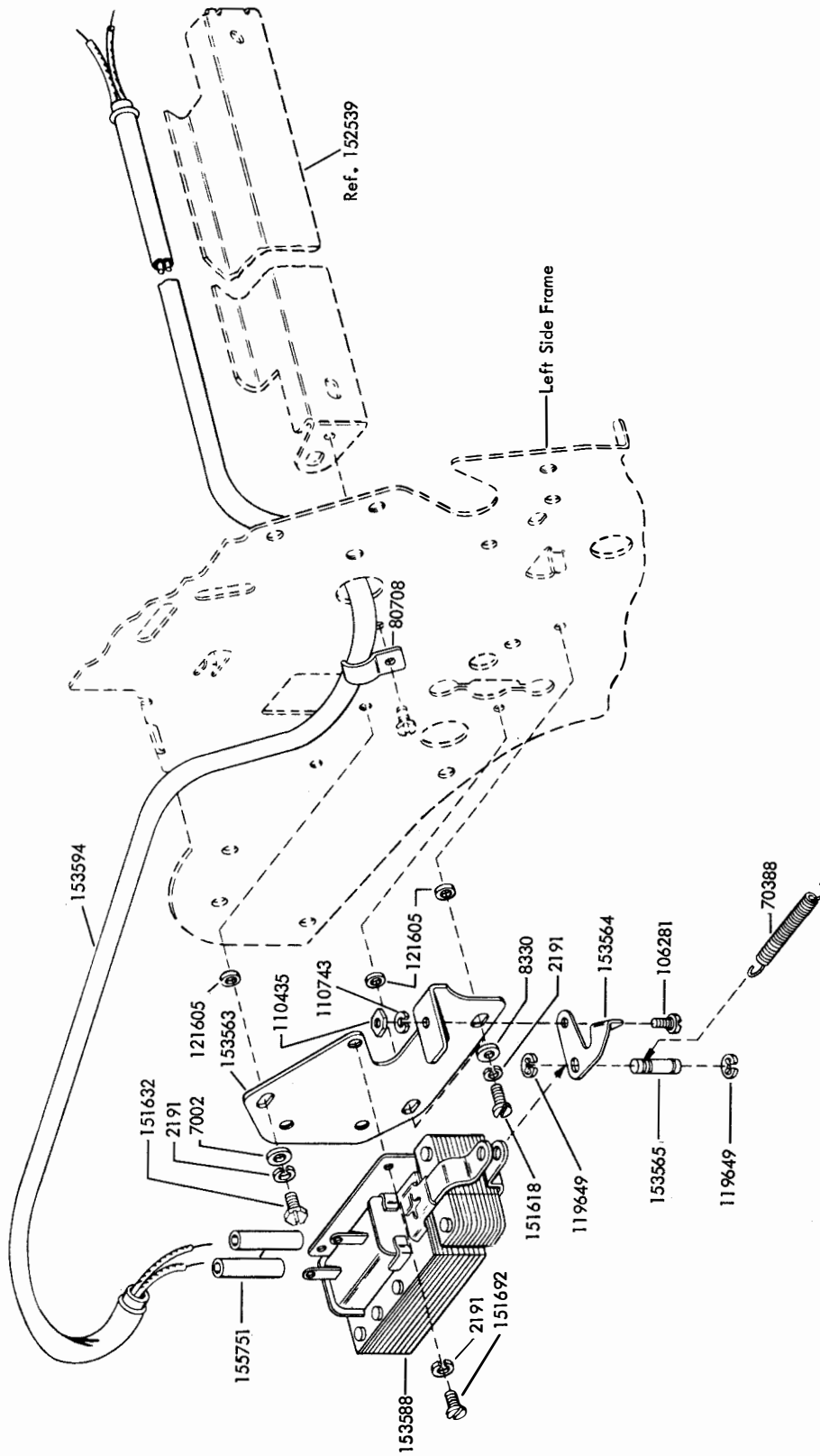


FIGURE 81. 153910 MODIFICATION KIT TO PROVIDE FUNCTION SUPPRESSION FOR "AZ" STUNT BOX



Specification 58235

FIGURE 82. 152345 MODIFICATION KIT TO PROVIDE OFF-LINE STUNT SHIFT CONTROL

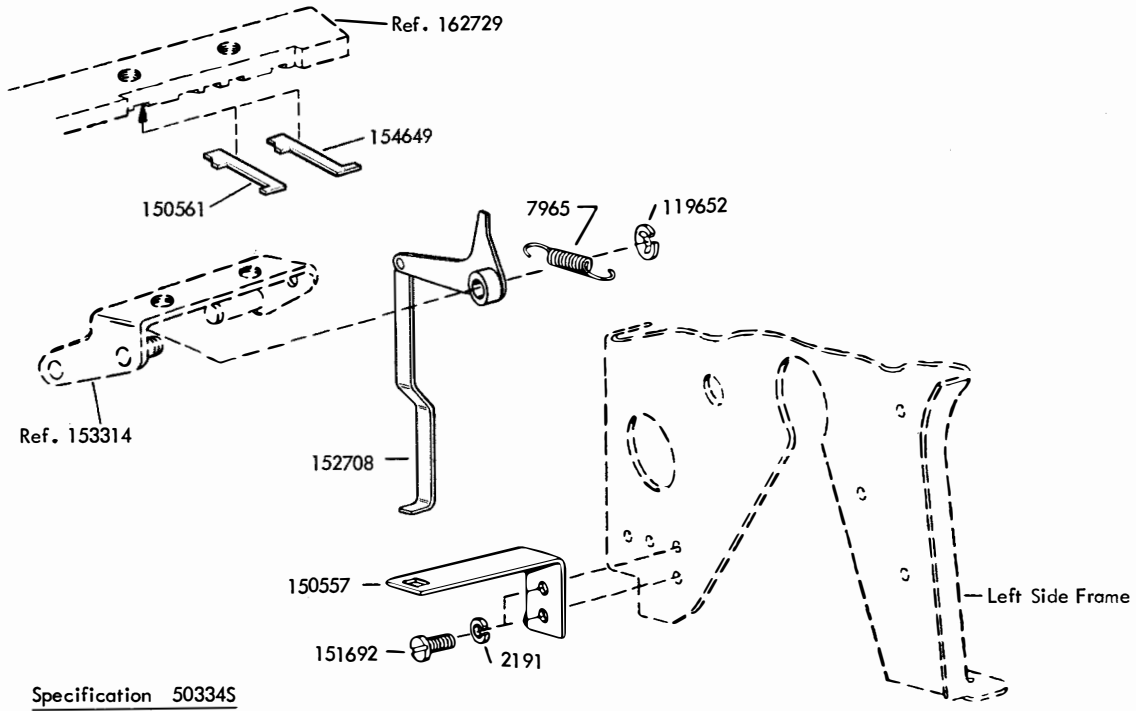


FIGURE 83. 152350 MODIFICATION KIT TO PROVIDE KEYBOARD LOCK

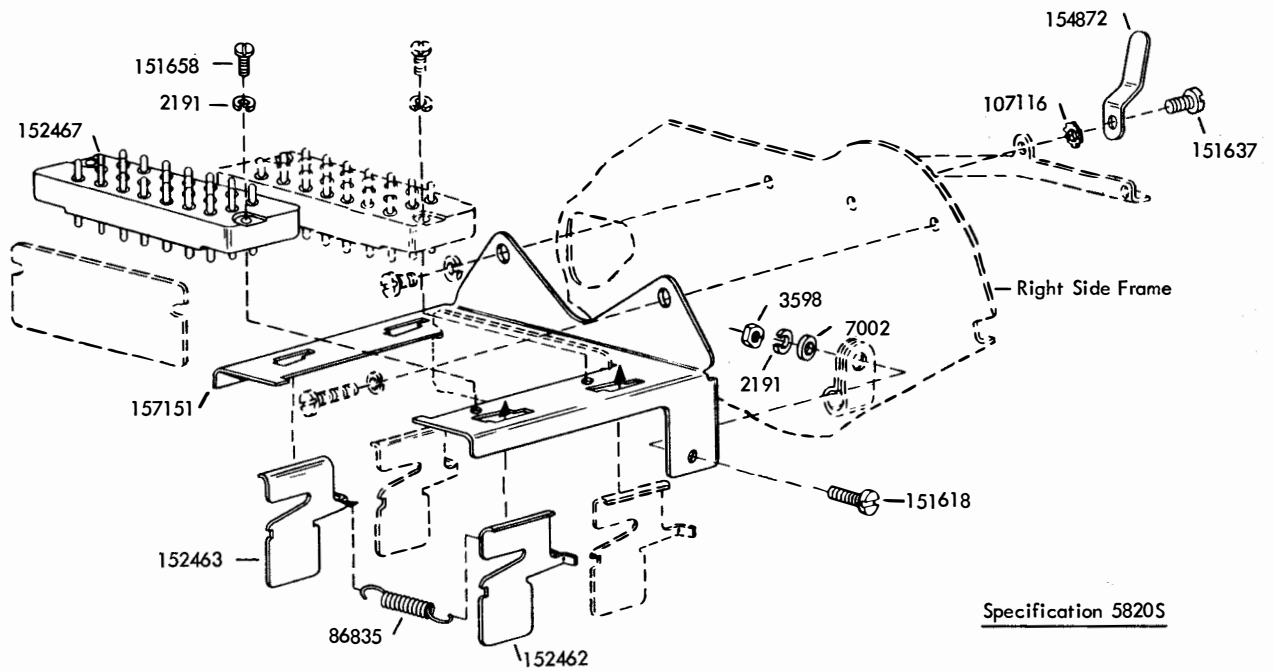
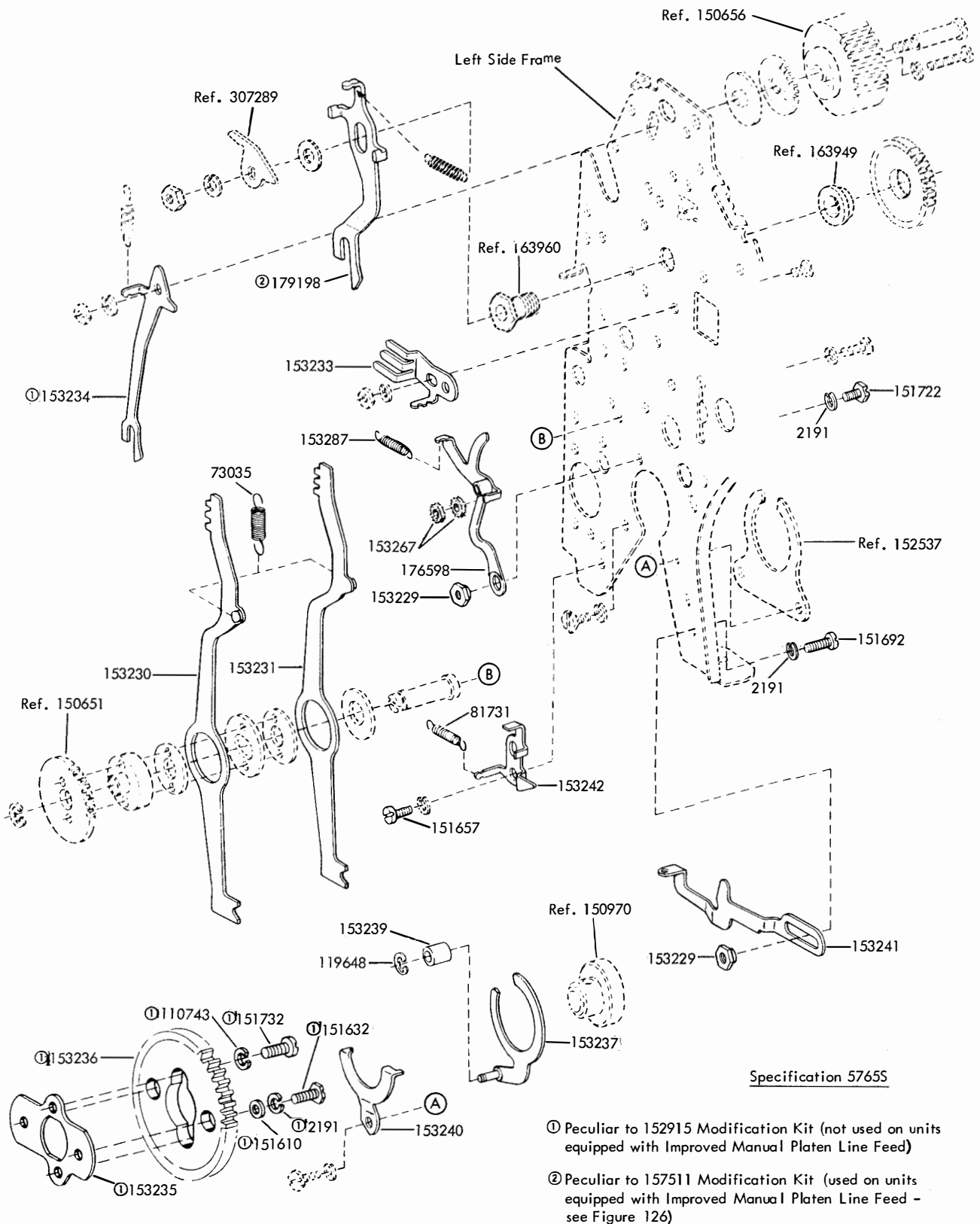
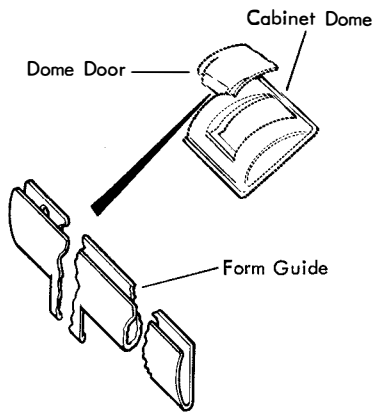
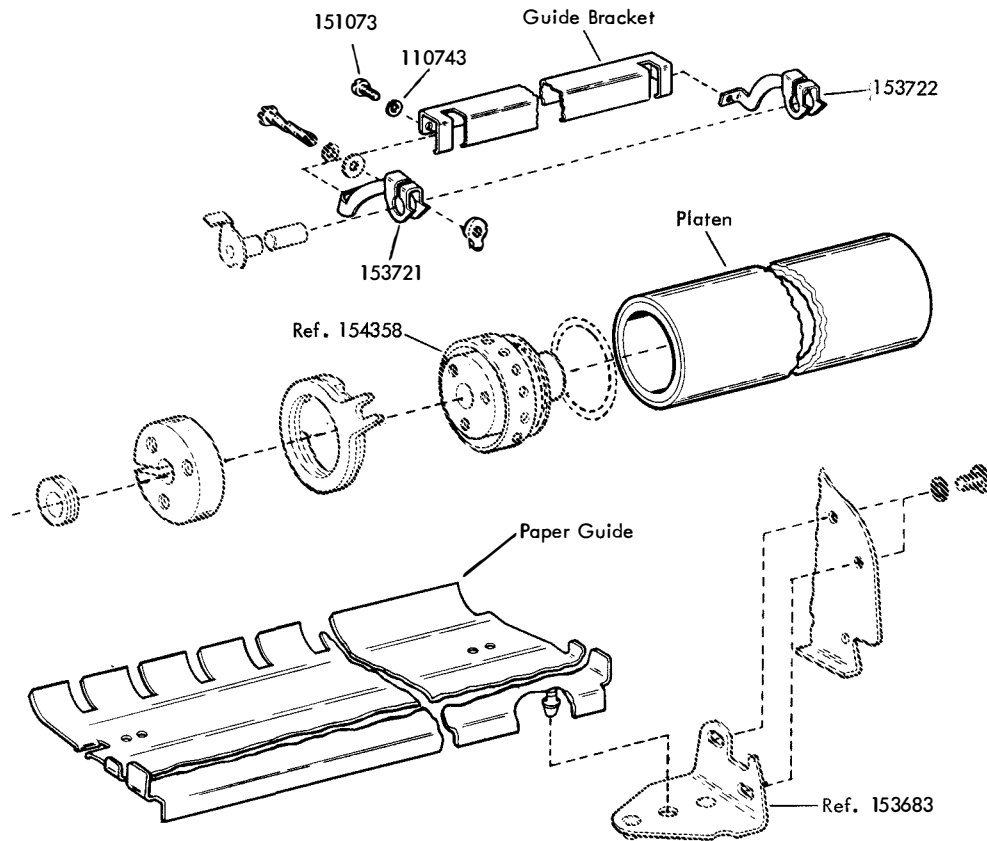


FIGURE 84. 153919 MODIFICATION KIT TO PROVIDE AUXILIARY CONNECTOR



- ① Peculiar to 152915 Modification Kit (not used on units equipped with Improved Manual Platen Line Feed)
- ② Peculiar to 157511 Modification Kit (used on units equipped with Improved Manual Platen Line Feed - see Figure 126)

FIGURE 85. 152915 AND 157511 MODIFICATION KITS TO PROVIDE LOCAL REVERSE LINE FEED



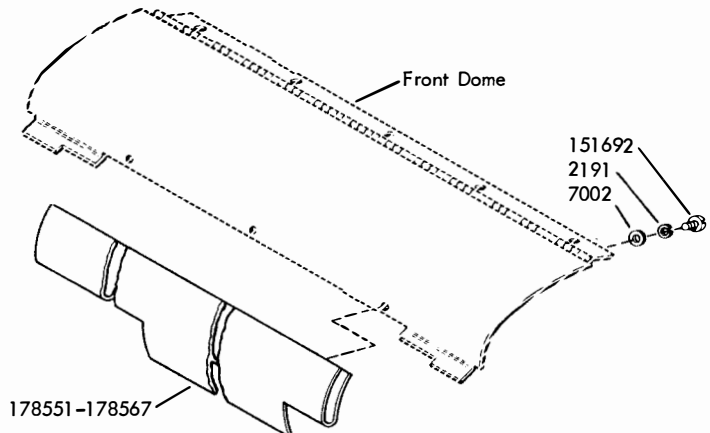
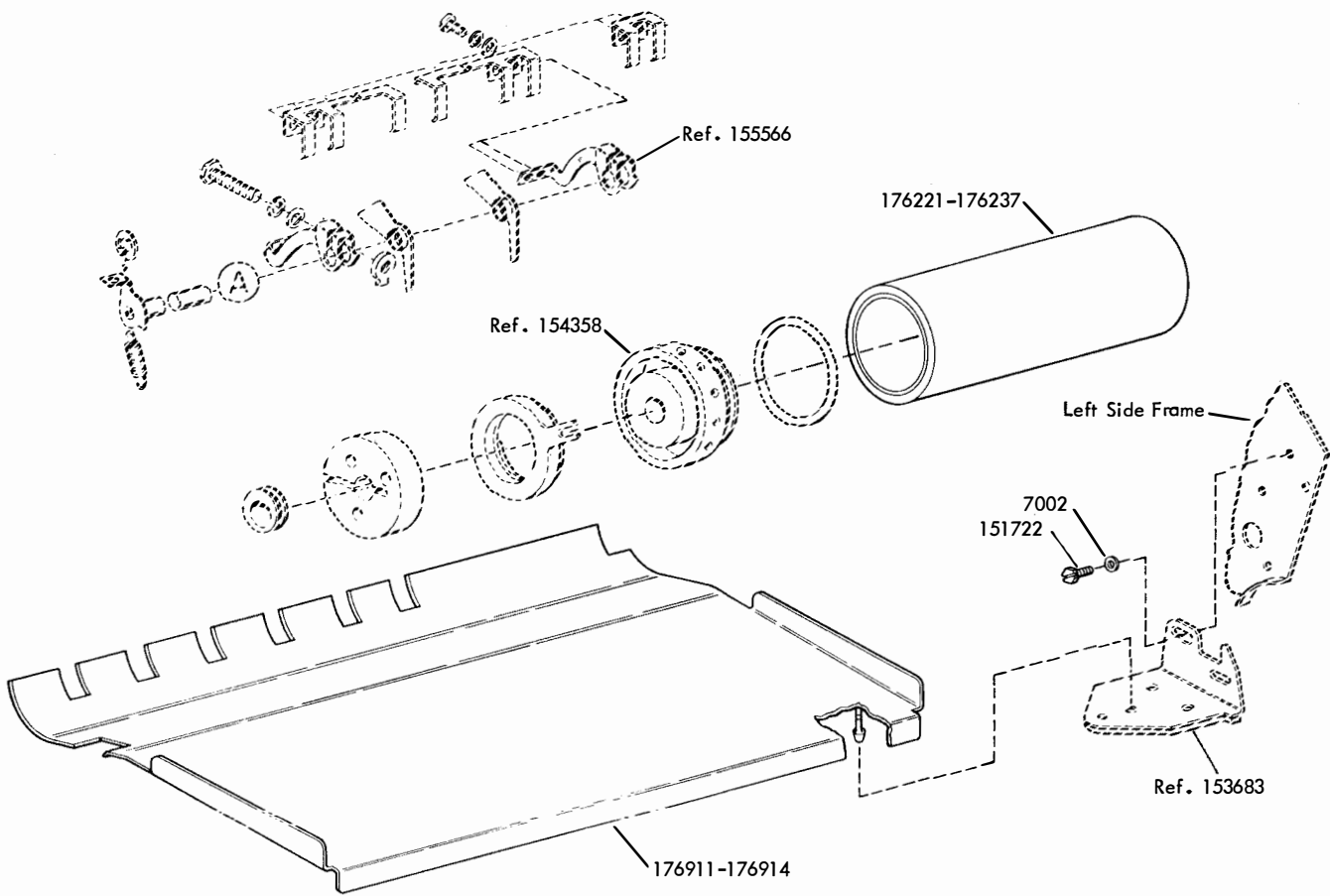
See note 28 on page 116

Specification 5792S

⓪ PAPER WIDTHS	PAPER GUIDE	GUIDE BRACKET	MOD. KIT: PAPER HANDLING PARTS		
			KIT. NO.	PLATEN	FORM GUIDE
9-1/2"	305028	305771	310733	176238	305059
9"	304773	153771	176181	176221	153652
8-1/2"	304772	153772	176182	176222	153653
8"	304773	153773	176183	176223	153654
7-1/2"	304772	153774	176184	176224	153655
7"	304773	153775	176185	176225	153656
6-1/2"	304772	153776	176186	176226	153657
6-3/8"	304774	153777	176187	176227	153658
6-1/4"	304775	153778	176188	176228	153659
6"	304773	153779	176189	176229	153660
5-3/4"	304774	153780	176190	176230	153661
5-1/2"	304772	153781	176191	176231	153662
5"	304773	153782	176192	176232	153663
4-1/2"	304772	153783	176193	176233	153664
4-5/16"	304775	153784	176194	176234	153665
4-1/4"	304774	153785	176195	176235	153665
4"	304773	153786	176196	176236	153666
3-5/8"	304772	153787	176197	176237	153667

⓪ The width shown is the overall dimension of the paper, and the distance between Sprocket Pin holes is 1/2" less.

FIGURE 86. SPROCKET FEED PAPER HANDLING MODIFICATION KITS (TYPING UNIT AND CABINET)

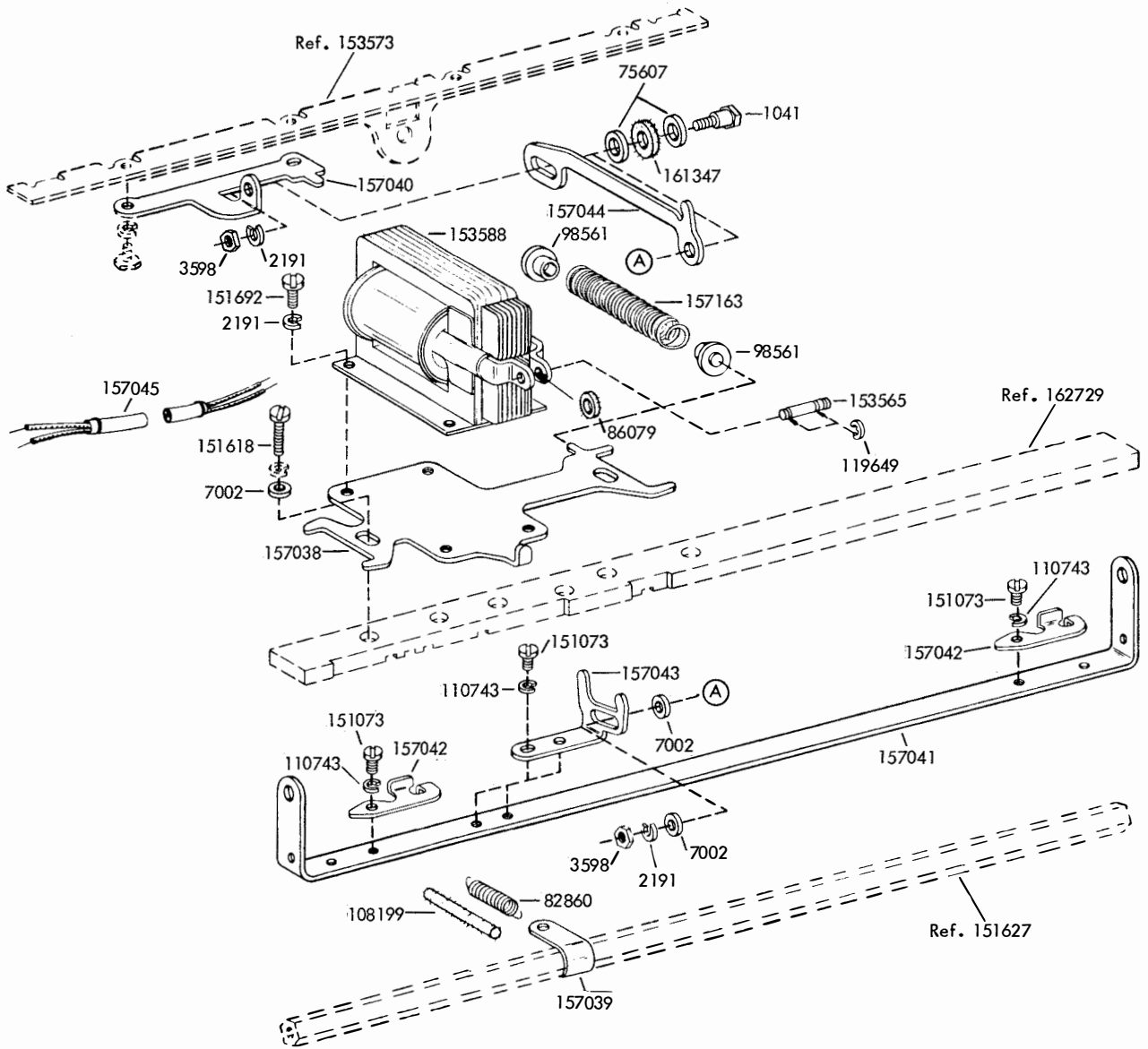


② Paper Widths	Paper Guide	Mod. Kit Paper Handling Parts		
		Kit No.	Platen	Form Guide
9"	176912	178568	175221	178551
8-1/2"	176911	178569	176222	178552
8"	176912	178570	176223	178553
7-1/2"	176911	178571	176224	178554
7"	176912	178572	176225	178555
6-1/2"	176911	178573	176226	178556
6-3/8"	176913	178574	176227	178557
6-1/4"	176914	178575	176228	178558
6"	176912	178576	176229	178559
5-3/4"	176913	178577	176230	178560
5-1/2"	176911	178578	176231	178561
5"	176912	178579	176232	178562
4-1/2"	176911	178580	176233	178563
4-5/16"	176914	178581	176234	178564
4-1/4"	176913	178582	176235	178565
4"	176912	178583	176236	178566
3-5/8"	176911	178584	176237	178567

② The width shown is the overall dimension of the paper, and the distance between Sprocket Pin holes is 1/2" less.

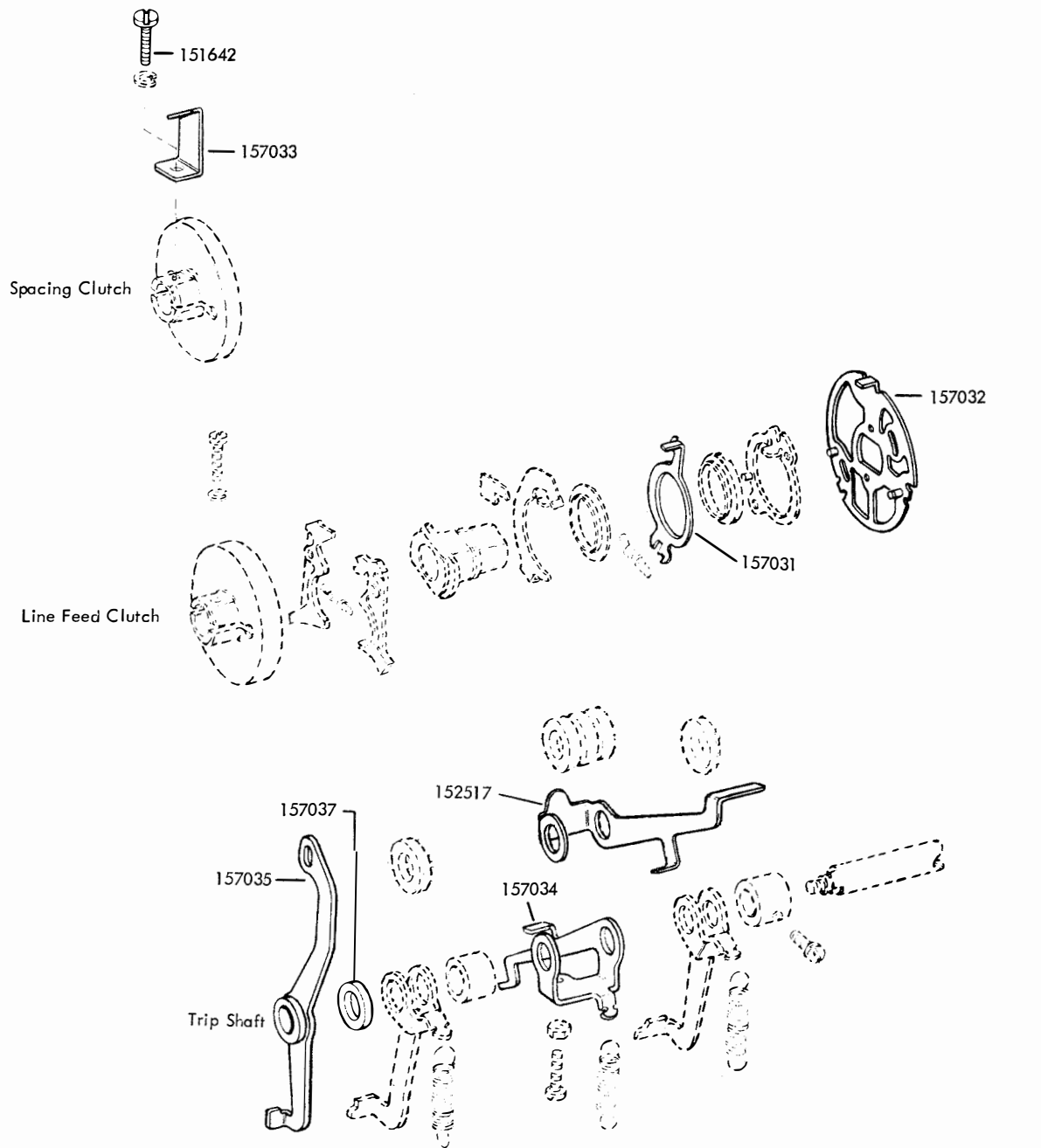
Specification 57925

FIGURE 87. SPROCKET FEED PAPER HANDLING MODIFICATION KITS (WALL MOUNTED TYPING UNIT AND CABINET)



Specification 5775

FIGURE 88. 153911 MODIFICATION KIT TO PROVIDE CONTINUOUS SPACING
(CONTINUED ON NEXT PAGE)



Specification 5775

FIGURE 89. 153911 MODIFICATION KIT TO PROVIDE CONTINUOUS SPACING
(CONTINUED FROM PRECEDING PAGE)

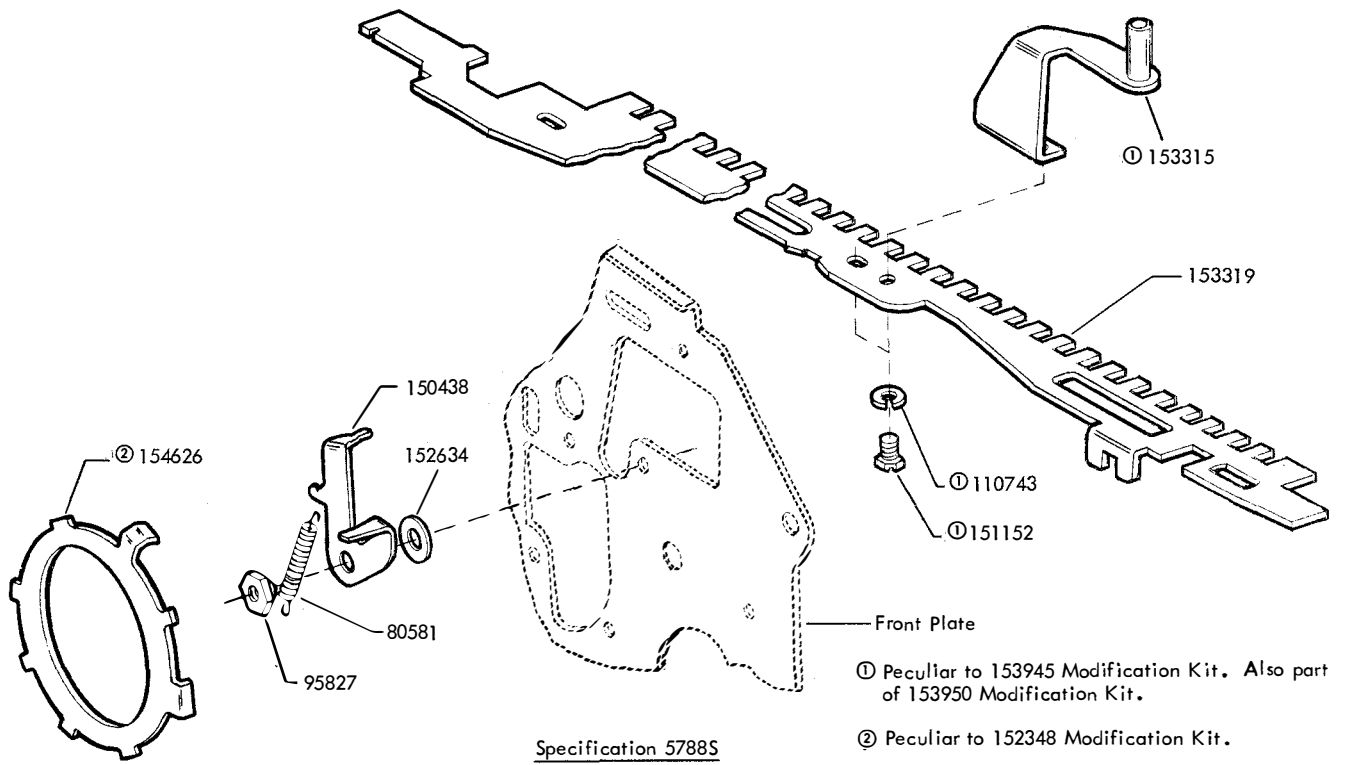


FIGURE 90. 152348 AUTOMATIC CARRIAGE RETURN AND LINE FEED AND 153945 "O" CODE BAR AND BELLCRANK MODIFICATION KITS

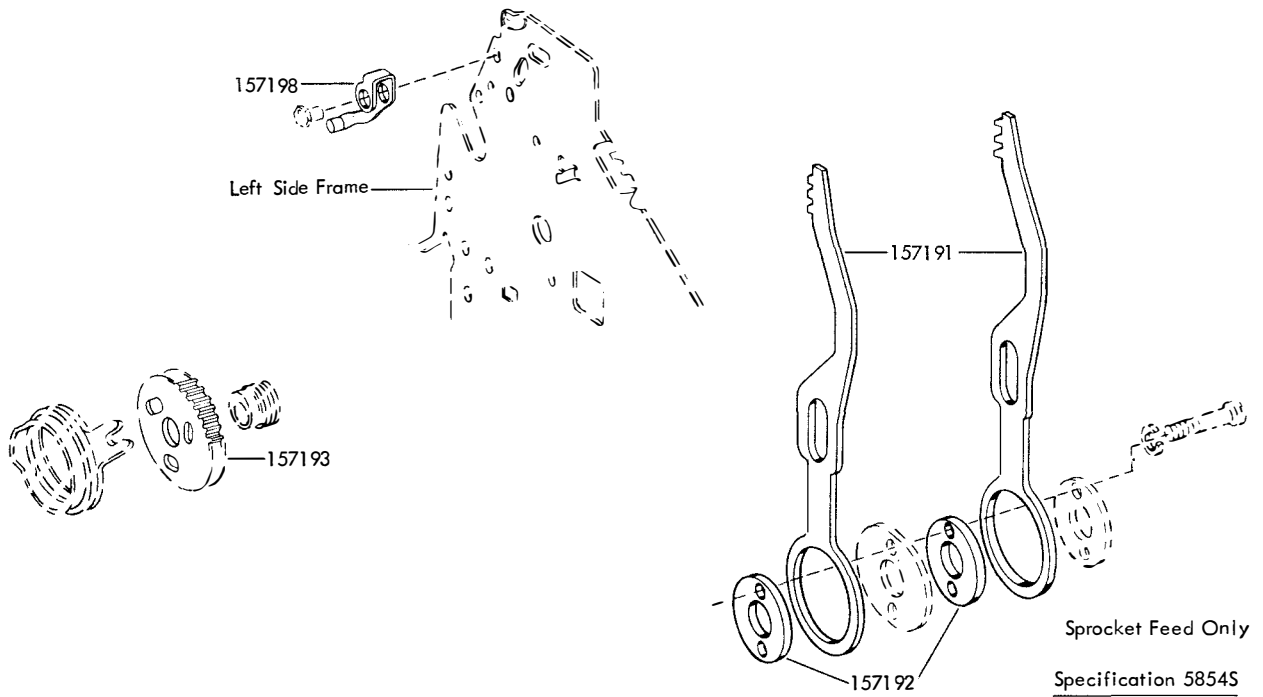


FIGURE 91. 154742 MODIFICATION KIT TO PROVIDE FOUR LINES PER INCH

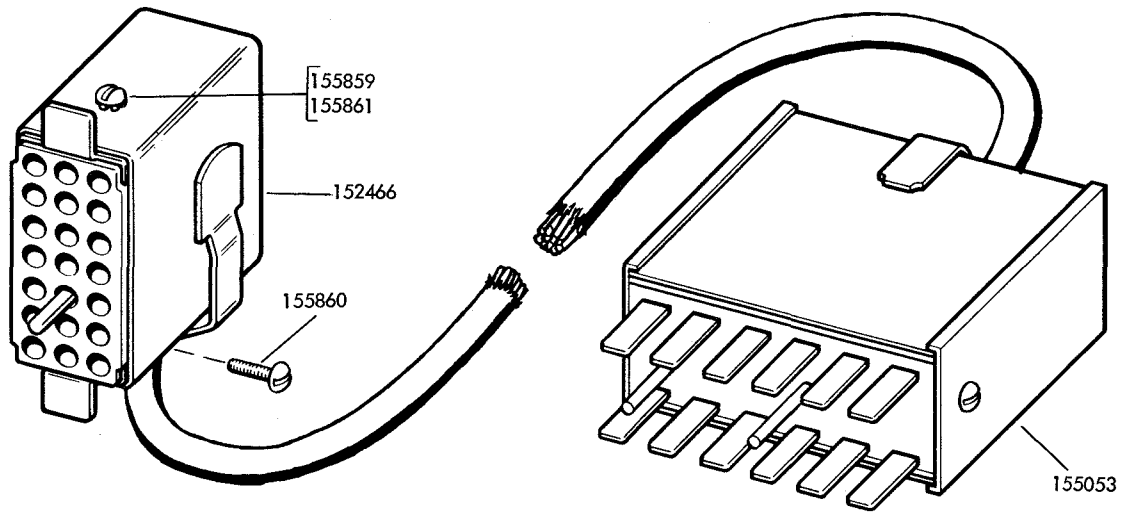


FIGURE 92. 155051 AUXILIARY CABLE ASSEMBLY

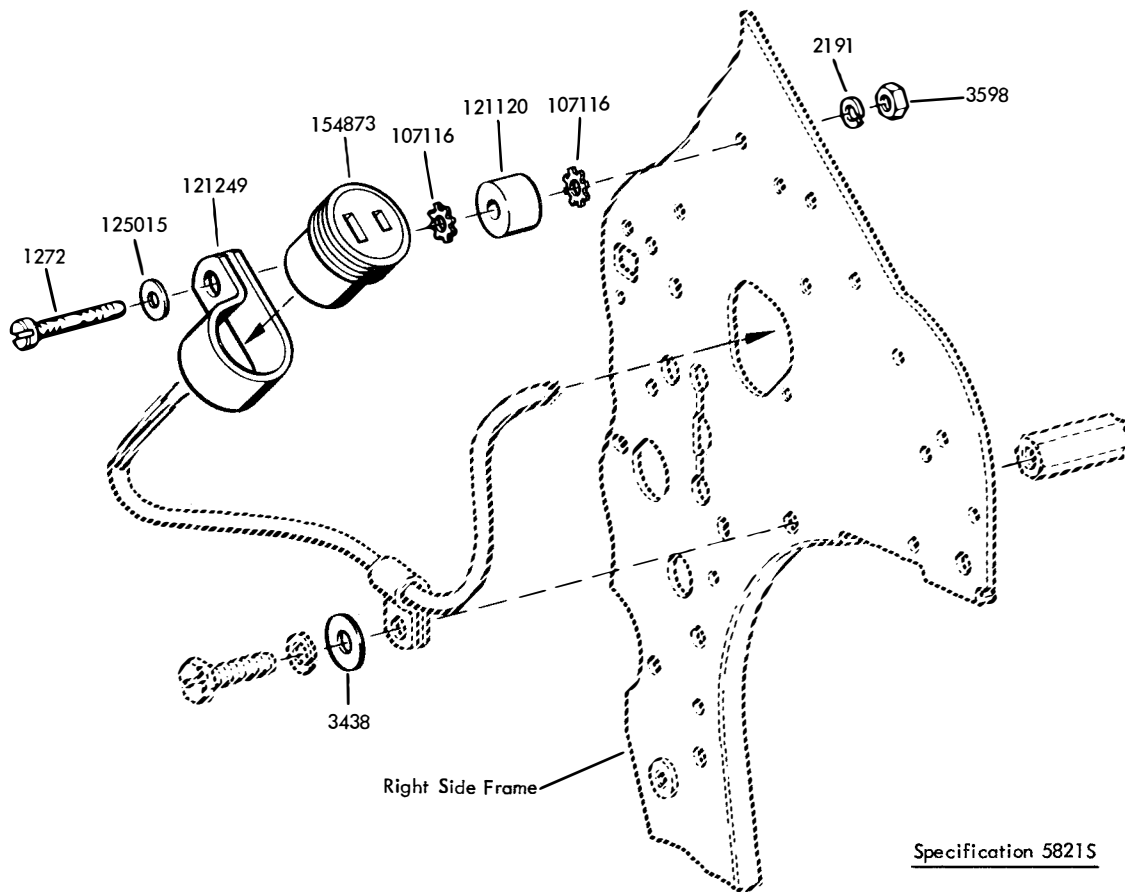


FIGURE 93. 154753 MODIFICATION KIT TO PROVIDE AUXILIARY CONNECTOR

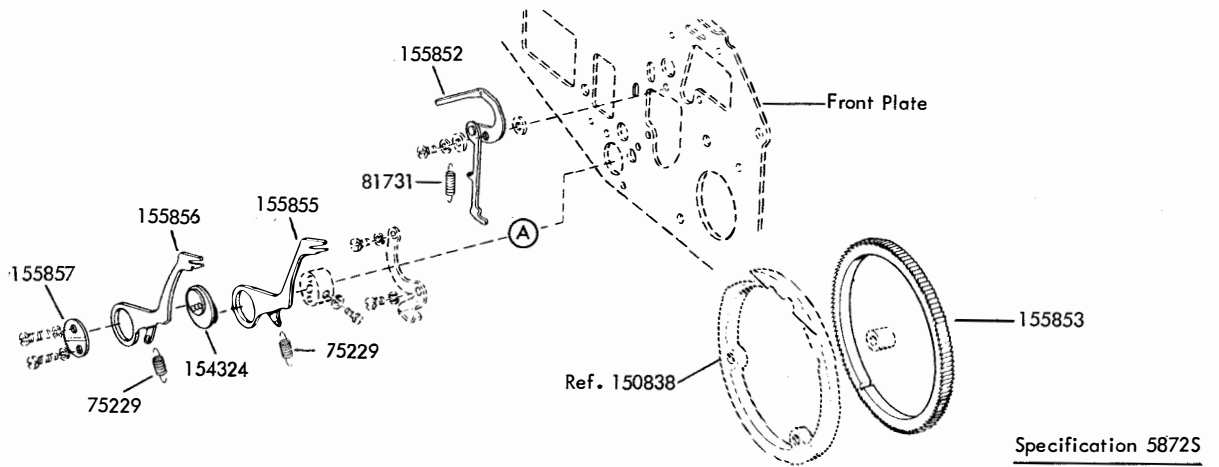


FIGURE 94. 154755 MODIFICATION KIT TO PROVIDE 5 SPACES PER INCH HORIZONTALLY

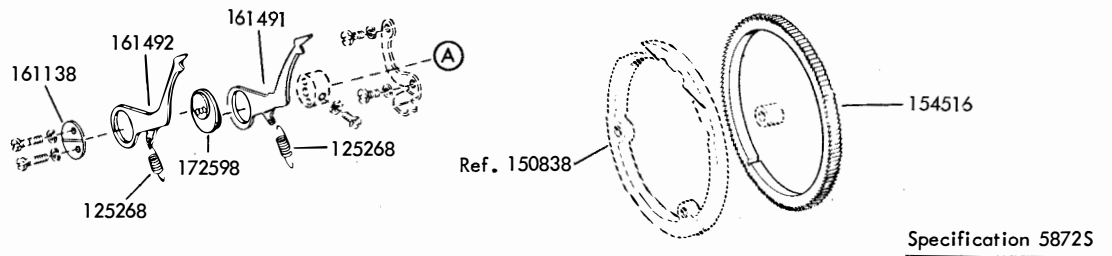


FIGURE 95. 159395 MODIFICATION KIT TO PROVIDE 6 SPACES PER INCH HORIZONTALLY

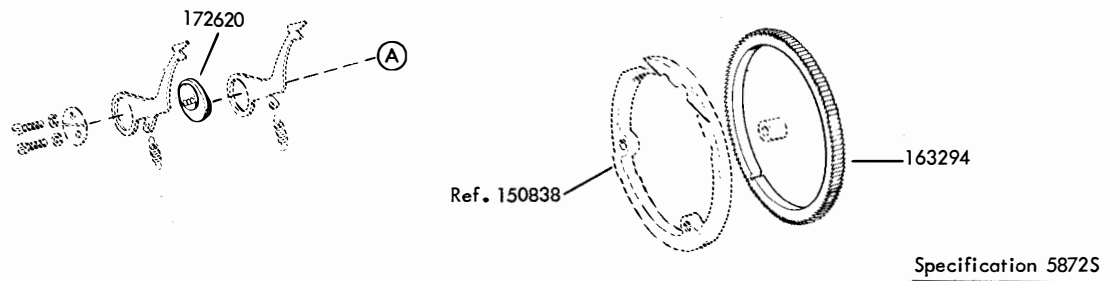


FIGURE 96. 163292 MODIFICATION KIT TO PROVIDE 8 SPACES PER INCH HORIZONTALLY

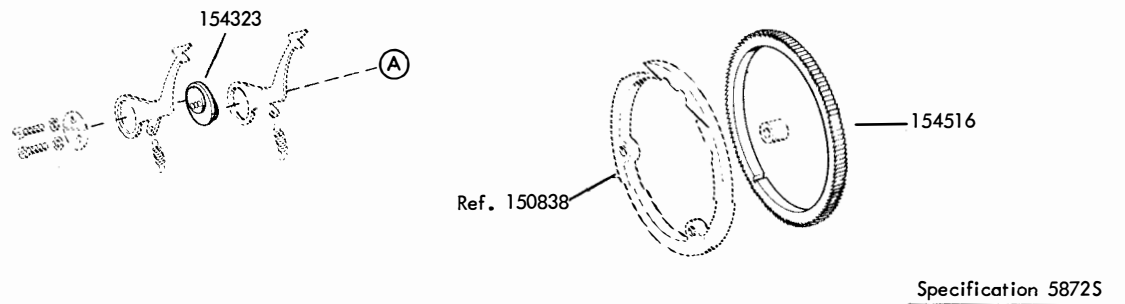
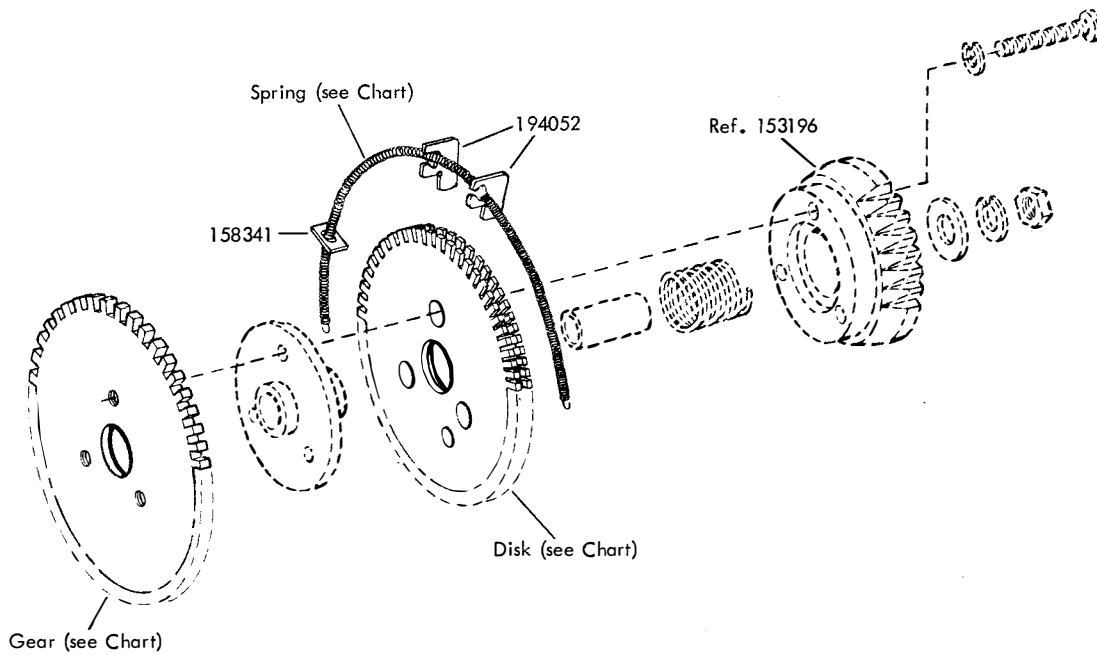


FIGURE 97. 154792 MODIFICATION KIT TO PROVIDE 12 SPACES PER INCH HORIZONTALLY



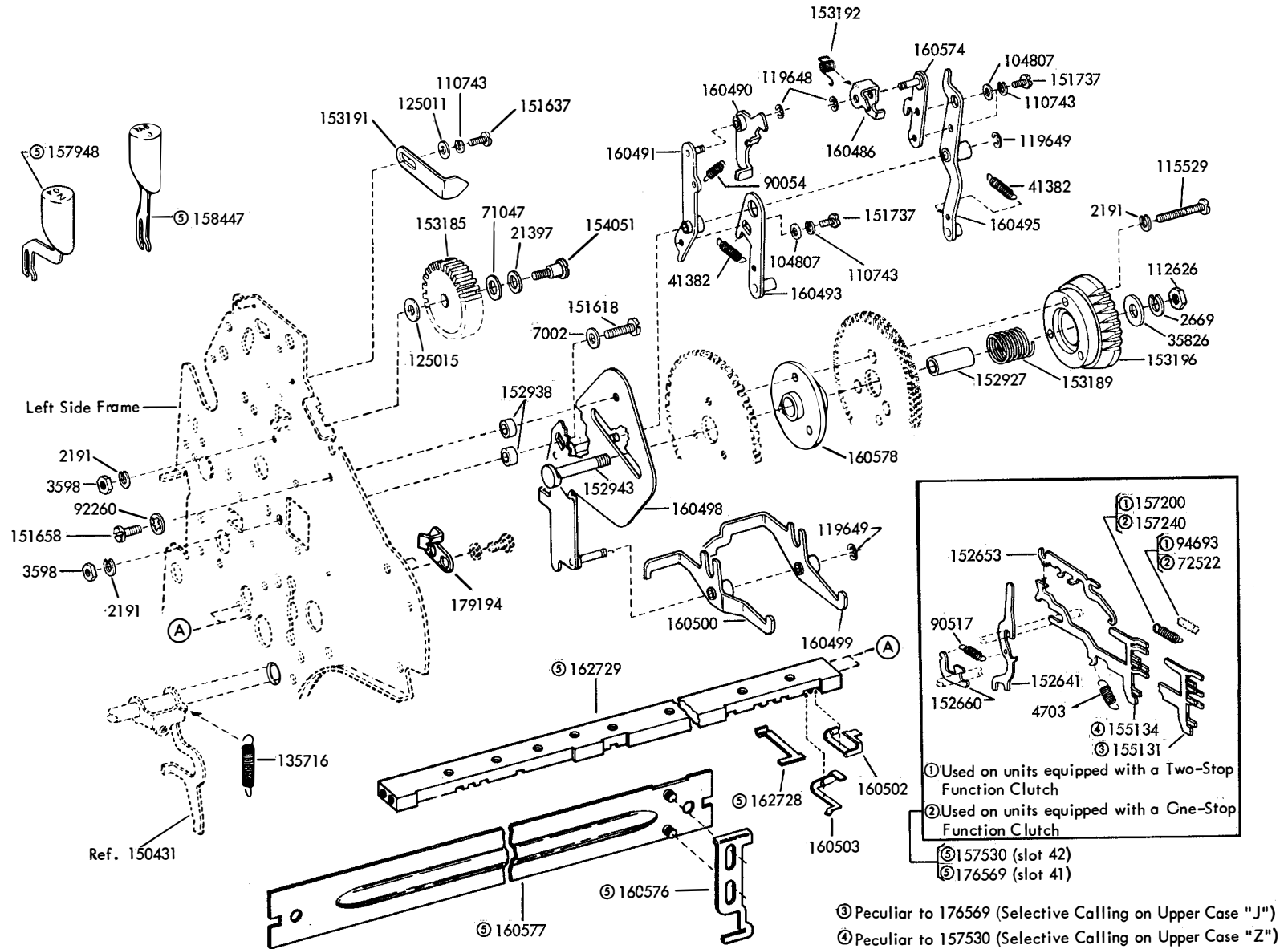
FORM LENGTH IN INCHES	MOD KIT	GEAR NO.	DISK NO.	SPRING NO.	NO. OF STOPS
8, 4, 2	154760	153198	160505	160527	47
8-1/2	154761	153199	160506	160528	10
9, 4-1/2	154762	153200	160507	160529	10
9-1/2	154763	153201	160508	160530	11
10, 5	154764	153202	160509	160531	12
11, 5-1/2	154765	153203	160510	160532	14
12, 6, 3	154766	153204	160511	160533	15
13, 6-1/2	154767	153205	160512	160534	16
14, 7, 3-1/2	154768	153206	160513	160535	17
15, 7-1/2	154769	153207	160514	160536	18
14-2/3, 7-1/3, 3-2/3	192706	161250	192704	160536	16
13, 6-1/2, 3-1/4	①197849	197732	197734	160534	14
4-1/4	①197850	197731	197733	160528	10
14, 7, 3-1/2	305079	305071	305075	160536	16

Specification 50004S

①The 197849 and 197850 Modification Kits can only be used with the 154742 Modification Kit (4 lines per inch). The 197849 and 197850 Modification Kits also include the 197735, 197736, 197737 and 197840 Spur Gears shown in their respective positions in Figure 68.

FIGURE 98. VERTICAL TABULATION MODIFICATION KITS

FIGURE 99. 154770 MODIFICATION KIT TO PROVIDE VERTICAL TABULATION ON UPPER CASE "J" AND "Z" (INCLUDES THE 163535 MODIFICATION KIT IN FIGURE 109)



The 154771 Modification Kit to Provide Vertical Tabulation consists of all parts on this page except those marked ③

Specification 500045

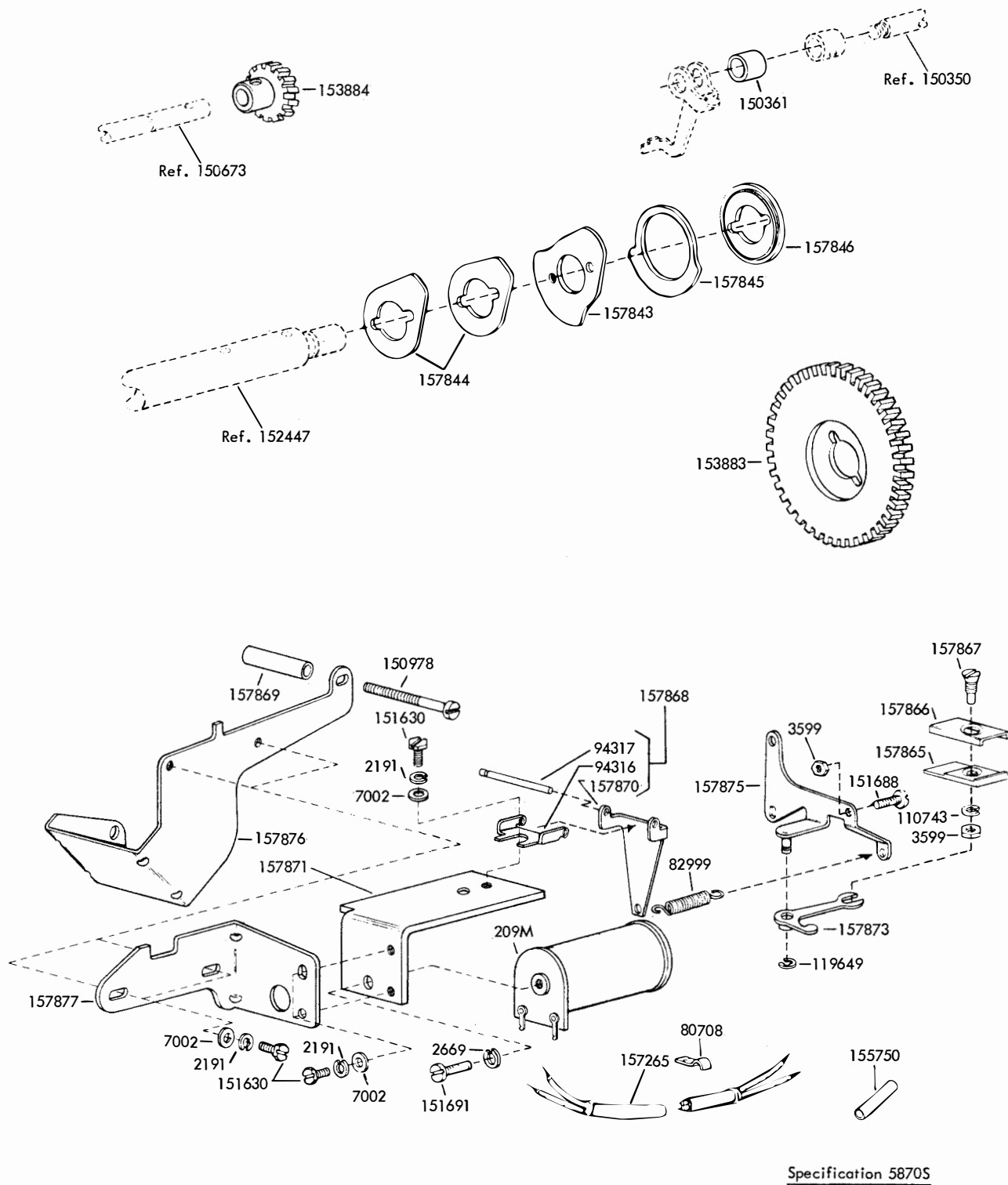
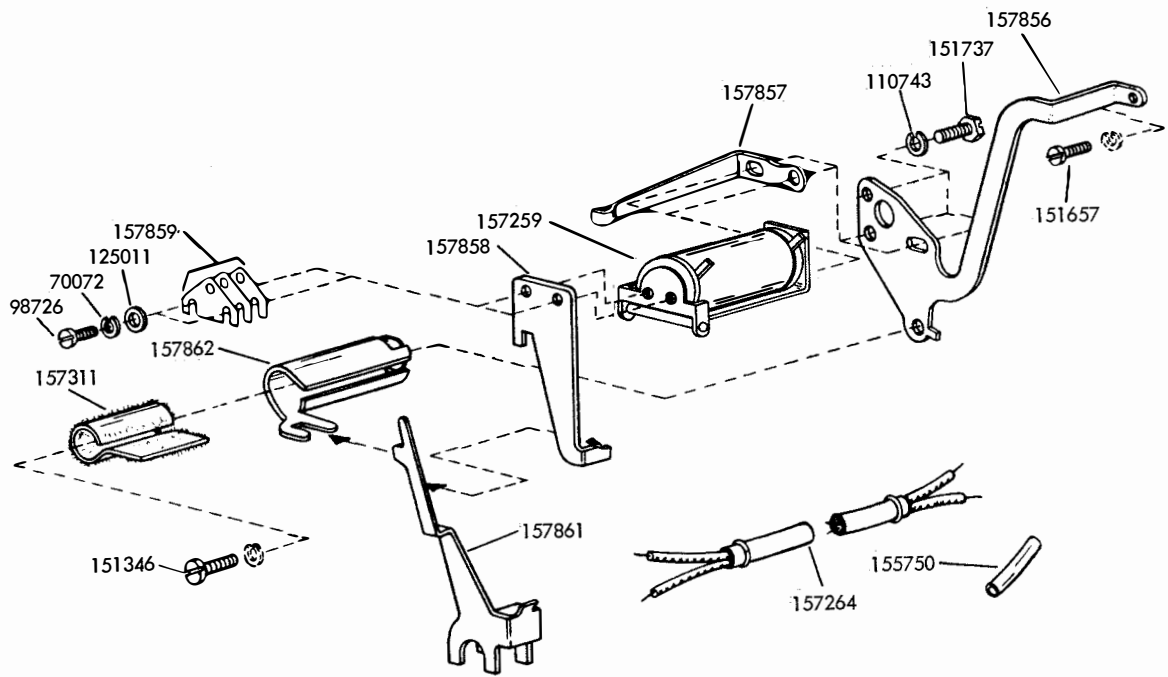
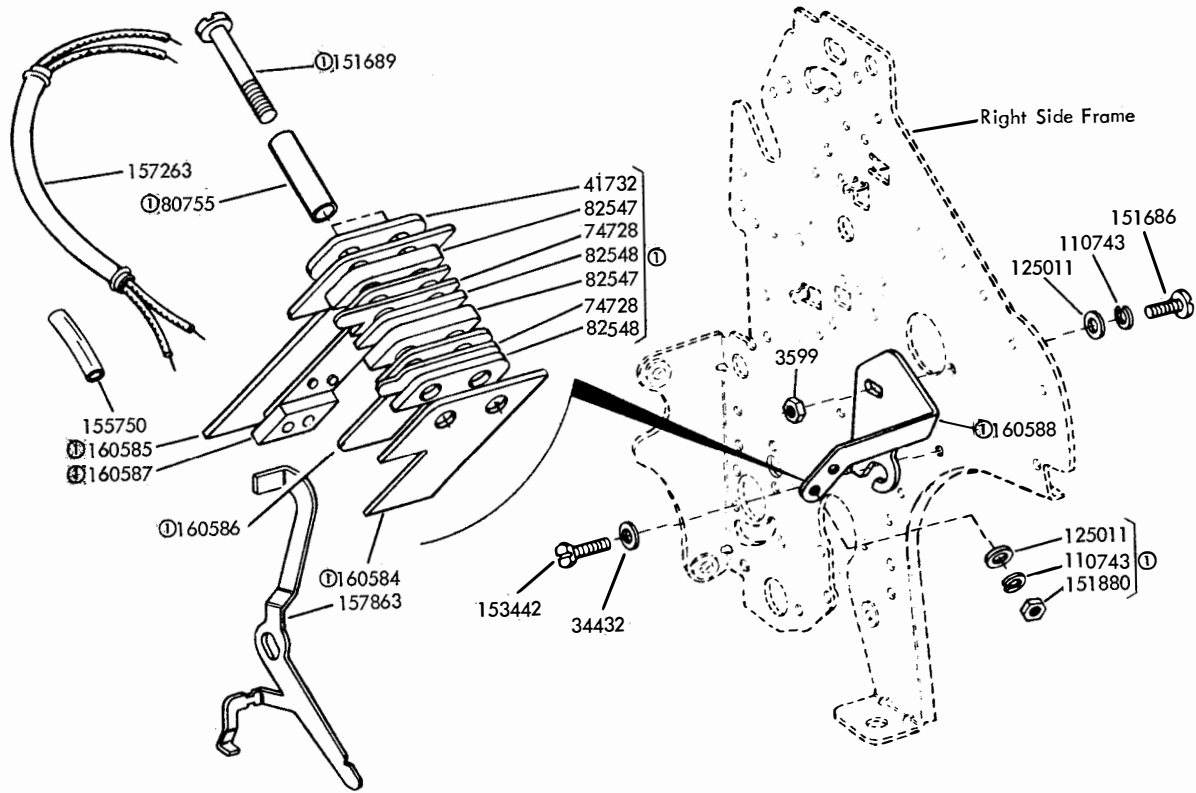


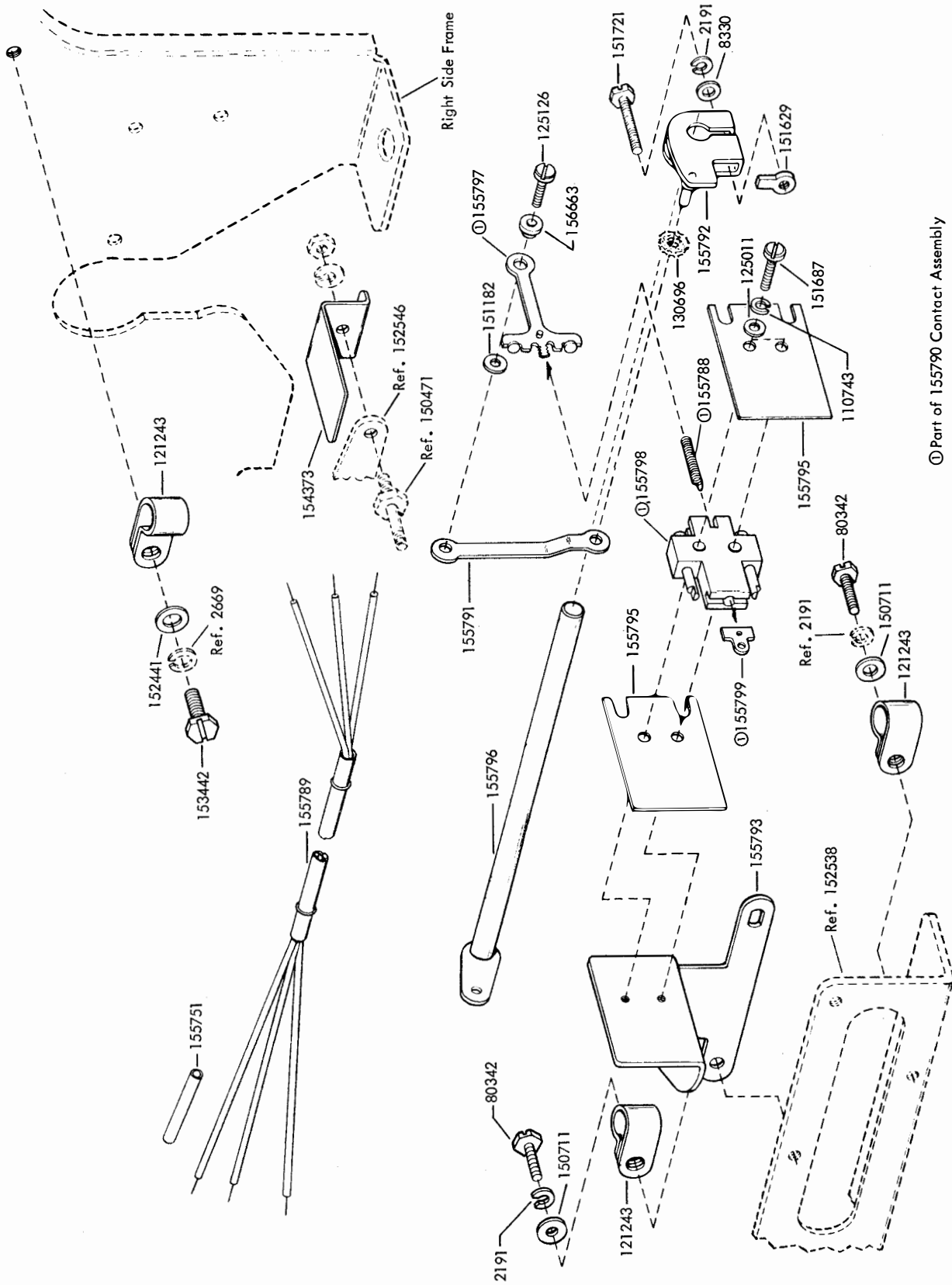
FIGURE 100. 154778 MODIFICATION KIT TO PROVIDE EXTERNAL PULSE SHIFT FEATURE
(CONTINUED ON NEXT PAGE)



Specification 58705

⓪ Part of 160589 Contact Assembly

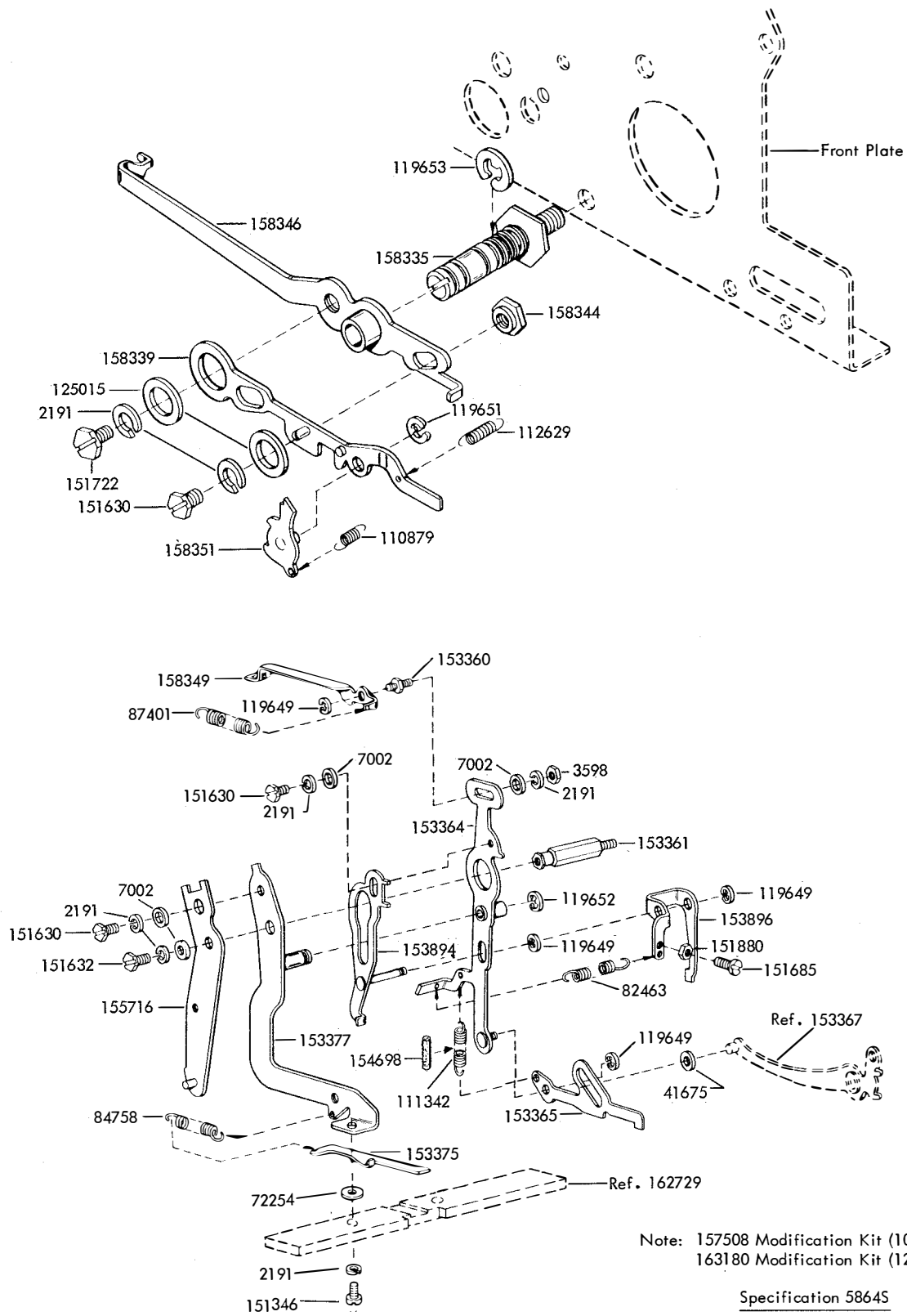
FIGURE 101. 154778 MODIFICATION KIT TO PROVIDE EXTERNAL PULSE SHIFT FEATURE
(CONTINUED FROM PRECEDING PAGE)



① Part of 155790 Contact Assembly

Specification 5804S

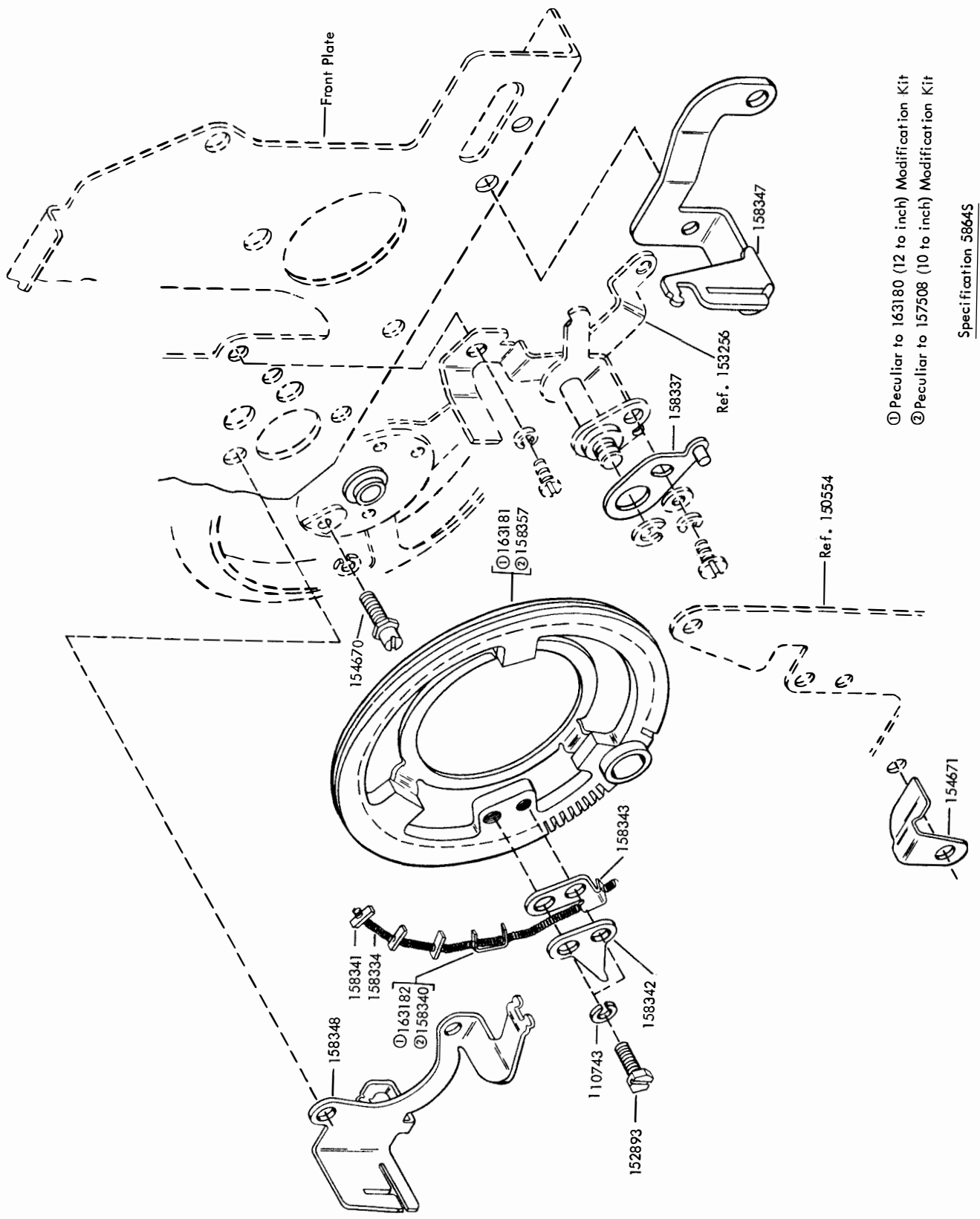
FIGURE 102. 154785 MODIFICATION KIT TO PROVIDE UNIVERSAL CONTACTS



Note: 157508 Modification Kit (10 to inch)
 163180 Modification Kit (12 to inch)

Specification 5864S

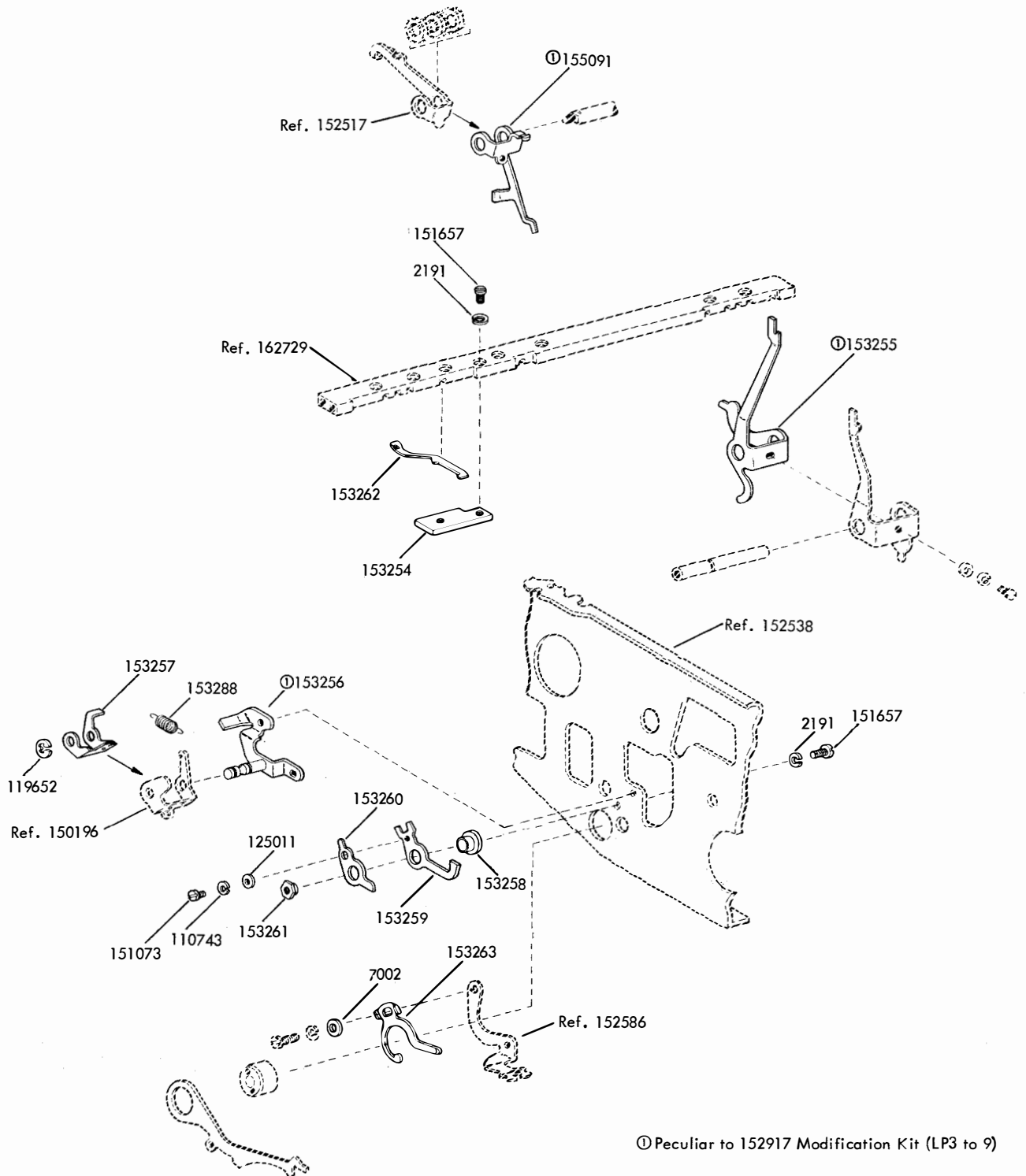
FIGURE 103. 157508 AND 163180 MODIFICATION KITS TO PROVIDE HORIZONTAL TABULATION
 (CONTINUED ON NEXT PAGE)



- ① Peculiar to 163180 (12 to inch) Modification Kit
- ② Peculiar to 157508 (10 to inch) Modification Kit

Specification 58645

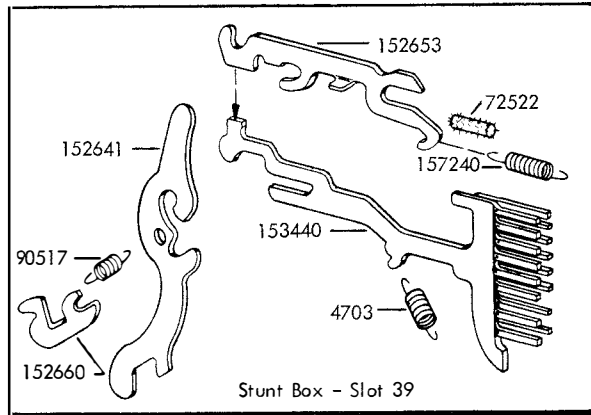
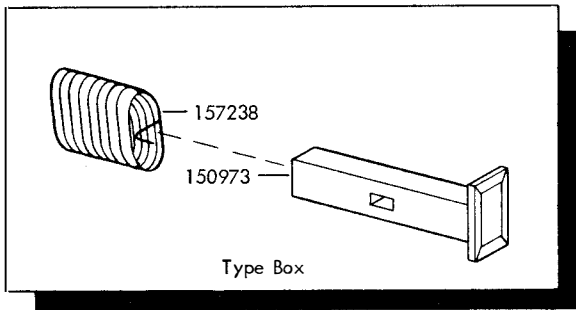
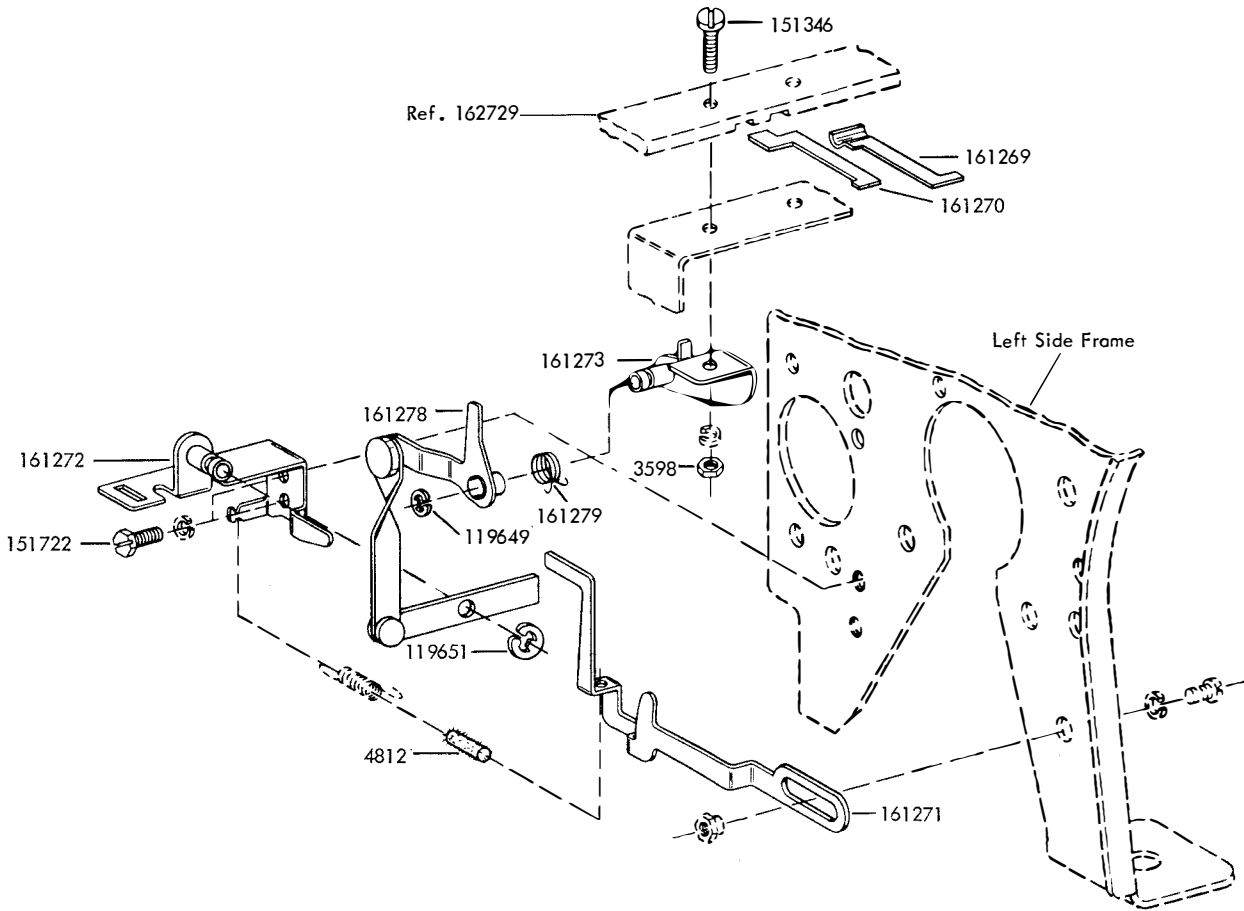
FIGURE 104. 157508 AND 163180 MODIFICATION KITS TO PROVIDE HORIZONTAL TABULATION (CONTINUED FROM PRECEDING PAGE)



Ⓟ Peculiar to 152917 Modification Kit (LP3 to 9)

Specification 5766S

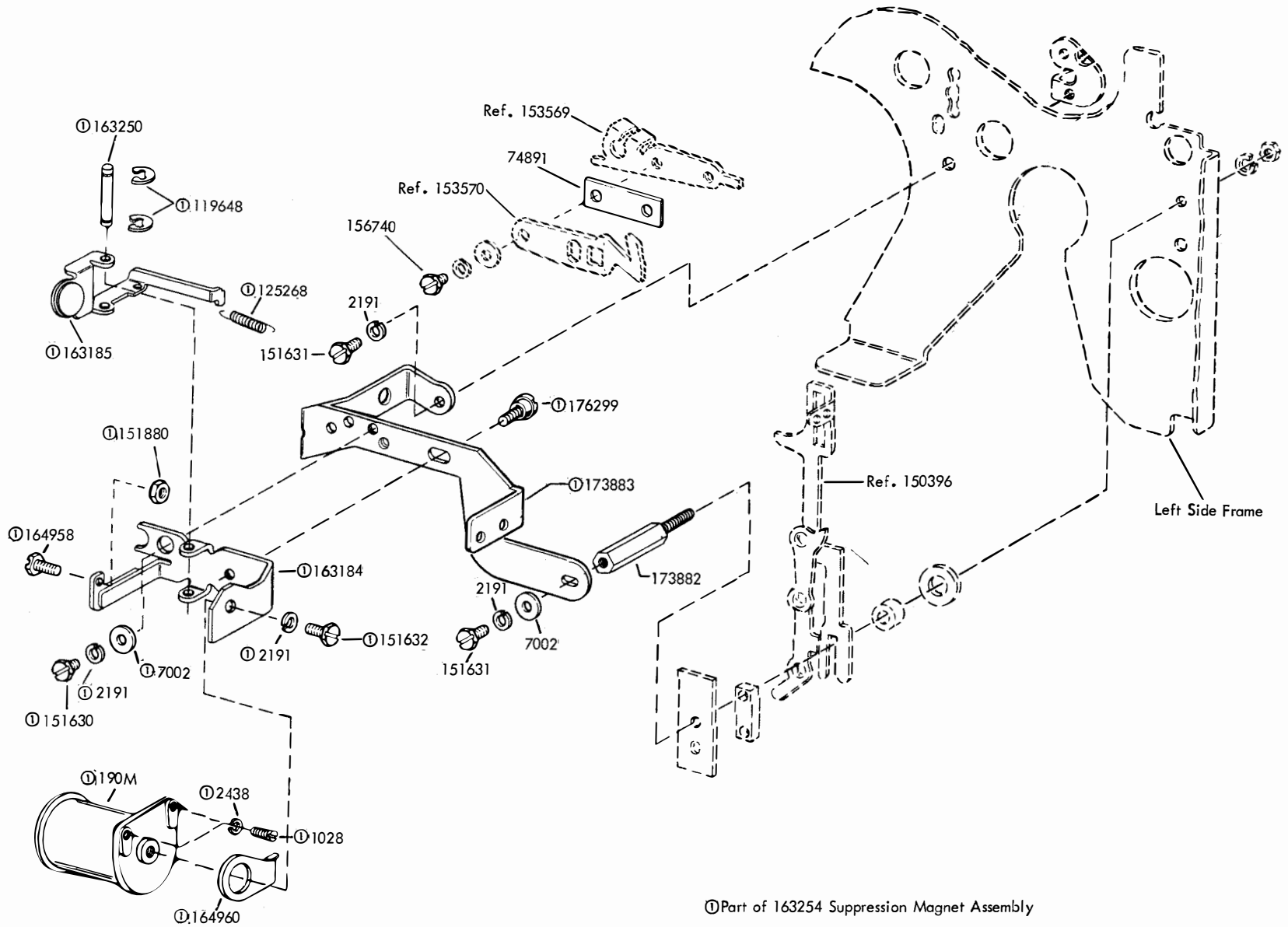
FIGURE 105. 152917 AND 157510 MODIFICATION KITS TO PROVIDE LOCAL BACK SPACE



Specification 58985

FIGURE 106. 161280 MODIFICATION KIT TO PROVIDE ON-LINE REVERSE LINE FEED

FIGURE 107. 163183 MODIFICATION KIT TO PROVIDE D. C. MAGNET OPERATED PRINT SUPPRESSION



①Part of 163254 Suppression Magnet Assembly

Specification 59465

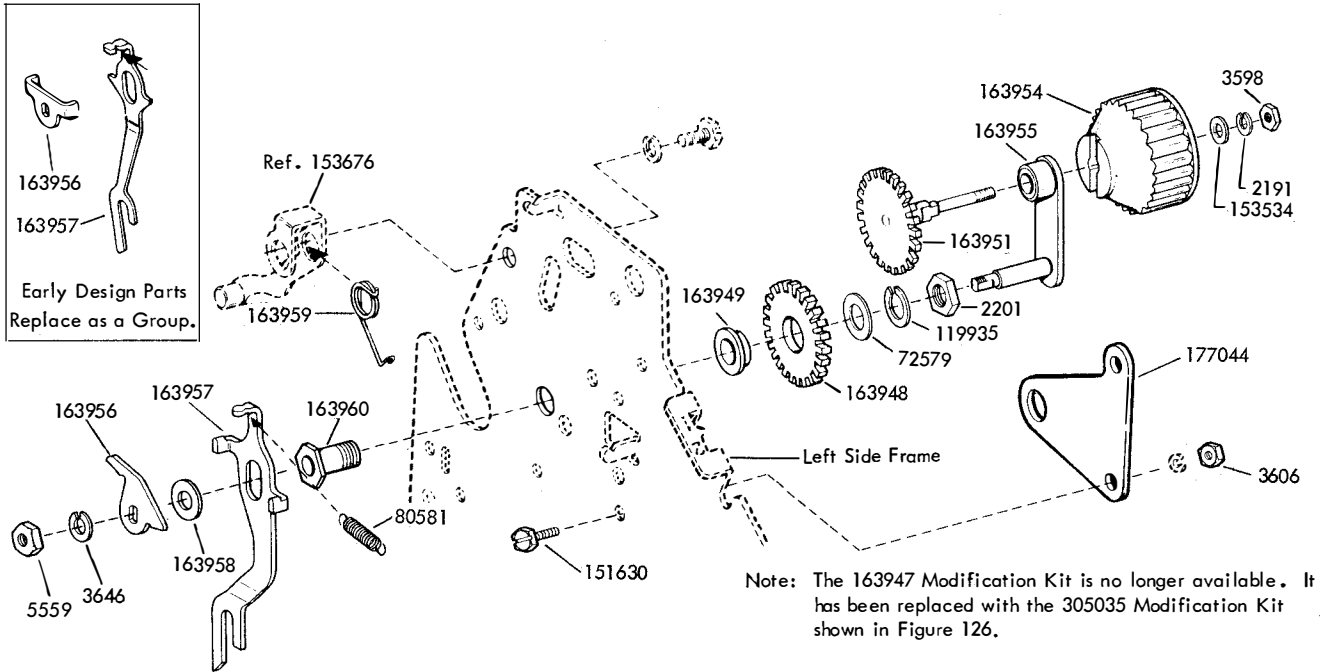


FIGURE 108. 163947 MODIFICATION KIT TO PROVIDE IMPROVED MANUAL PLATEN LINE FEED

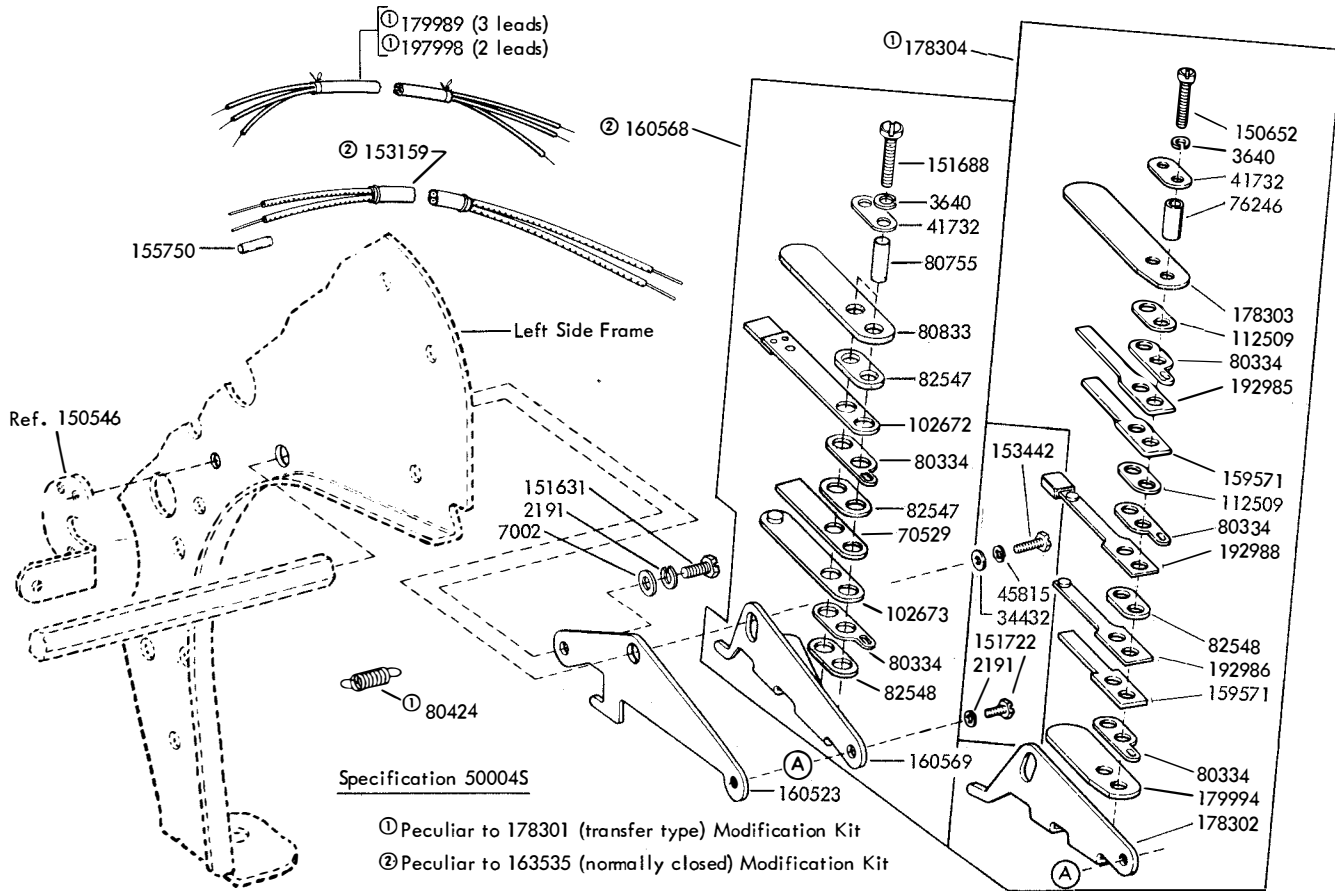


FIGURE 109. 163535 AND 178301 MODIFICATION KITS TO PROVIDE TRANSMITTER CONTROL FOR THE VERTICAL TABULATOR

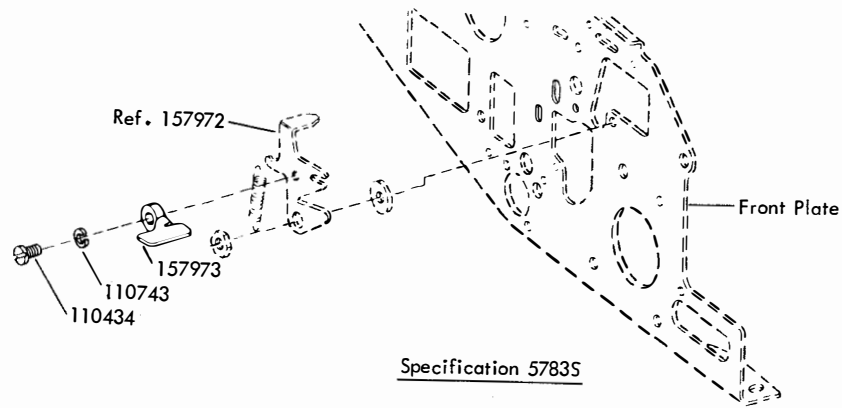


FIGURE 111. 157514 MODIFICATION KIT TO PROVIDE AUTOMATIC CARRIAGE RETURN AND LINE FEED

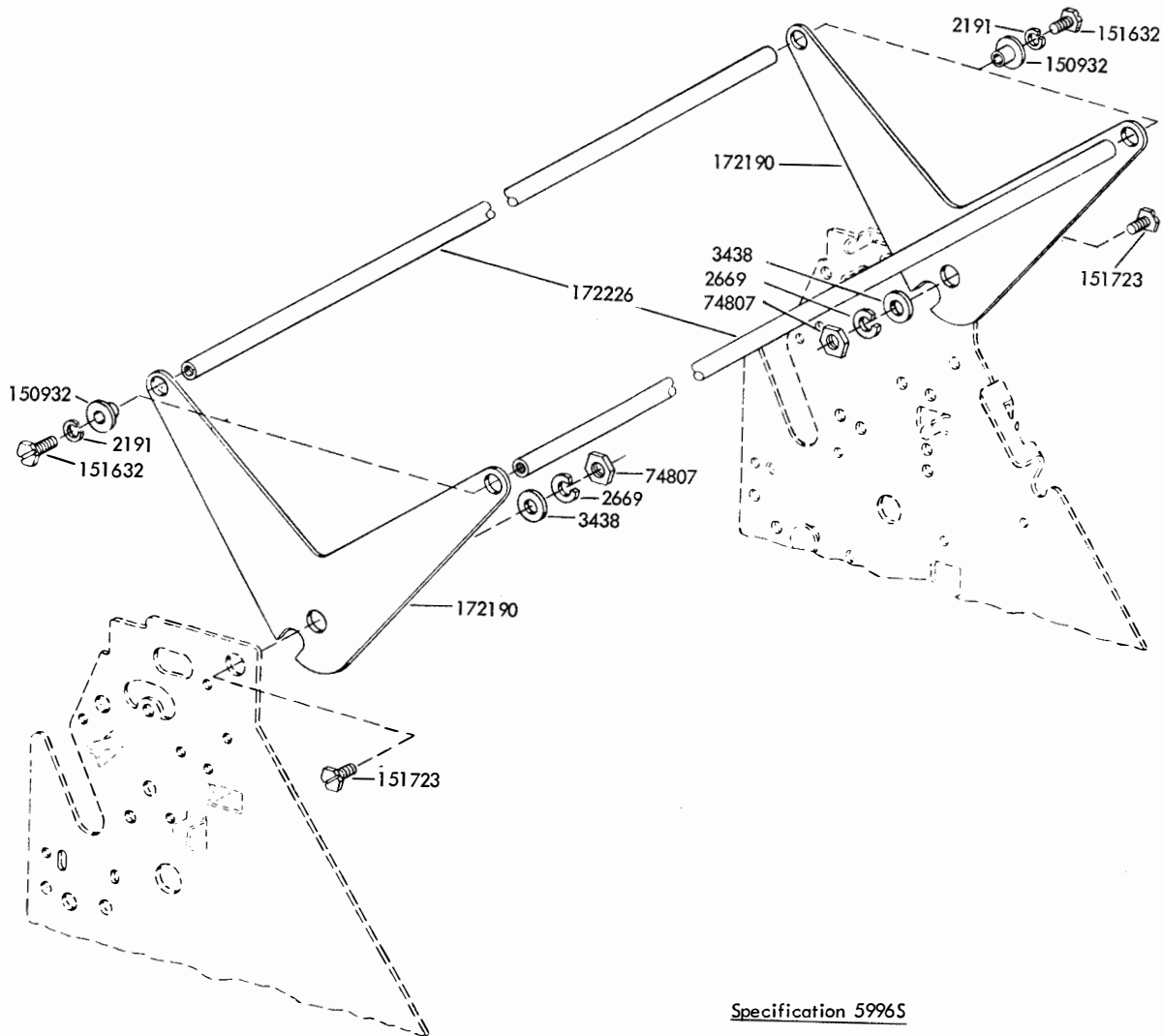
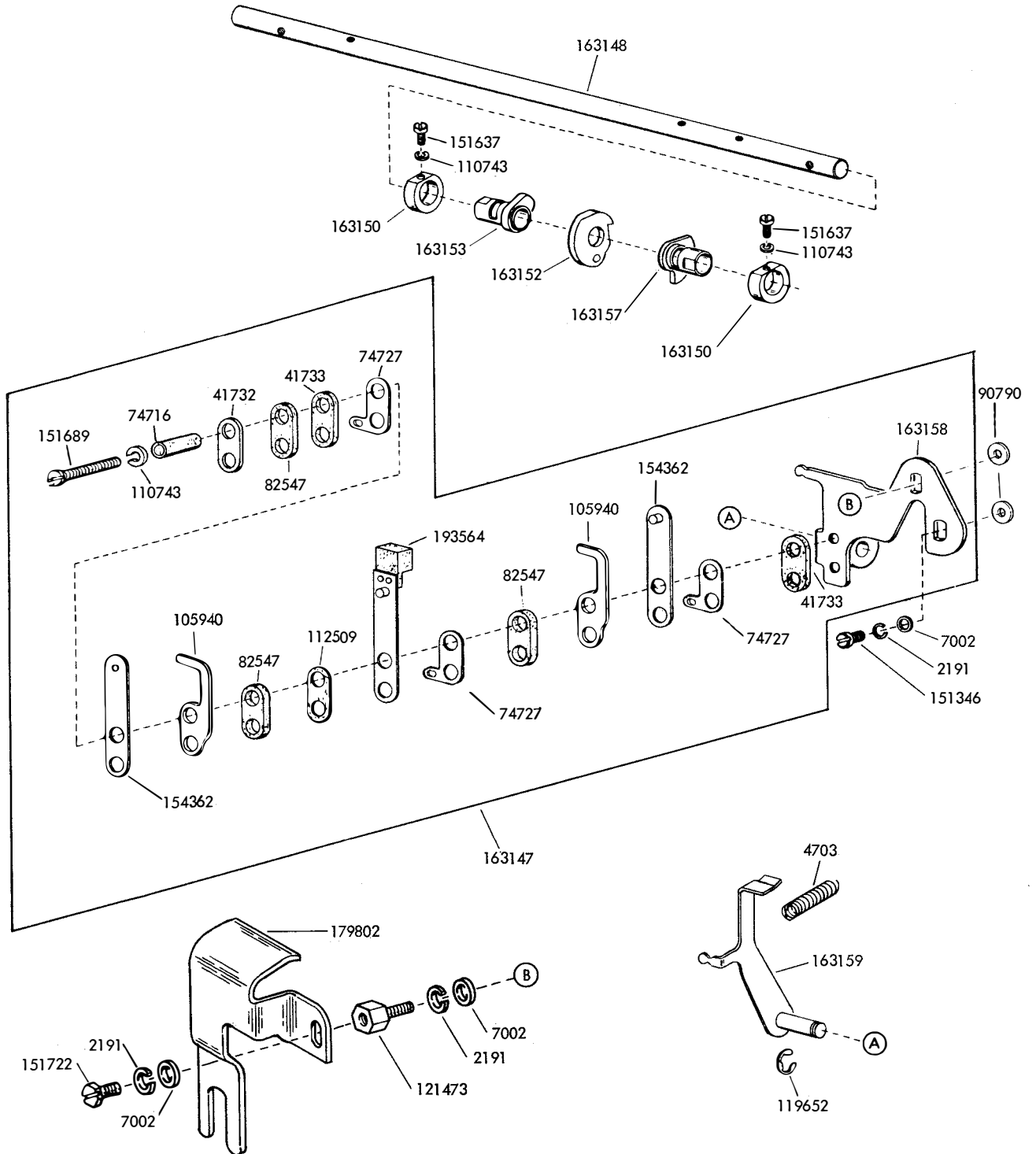


FIGURE 112. 172181 MODIFICATION KIT TO PROVIDE COPY DISPLAY



Specification 58045

FIGURE 113. 163146 MODIFICATION KIT TO PROVIDE UNIVERSAL CONTACT

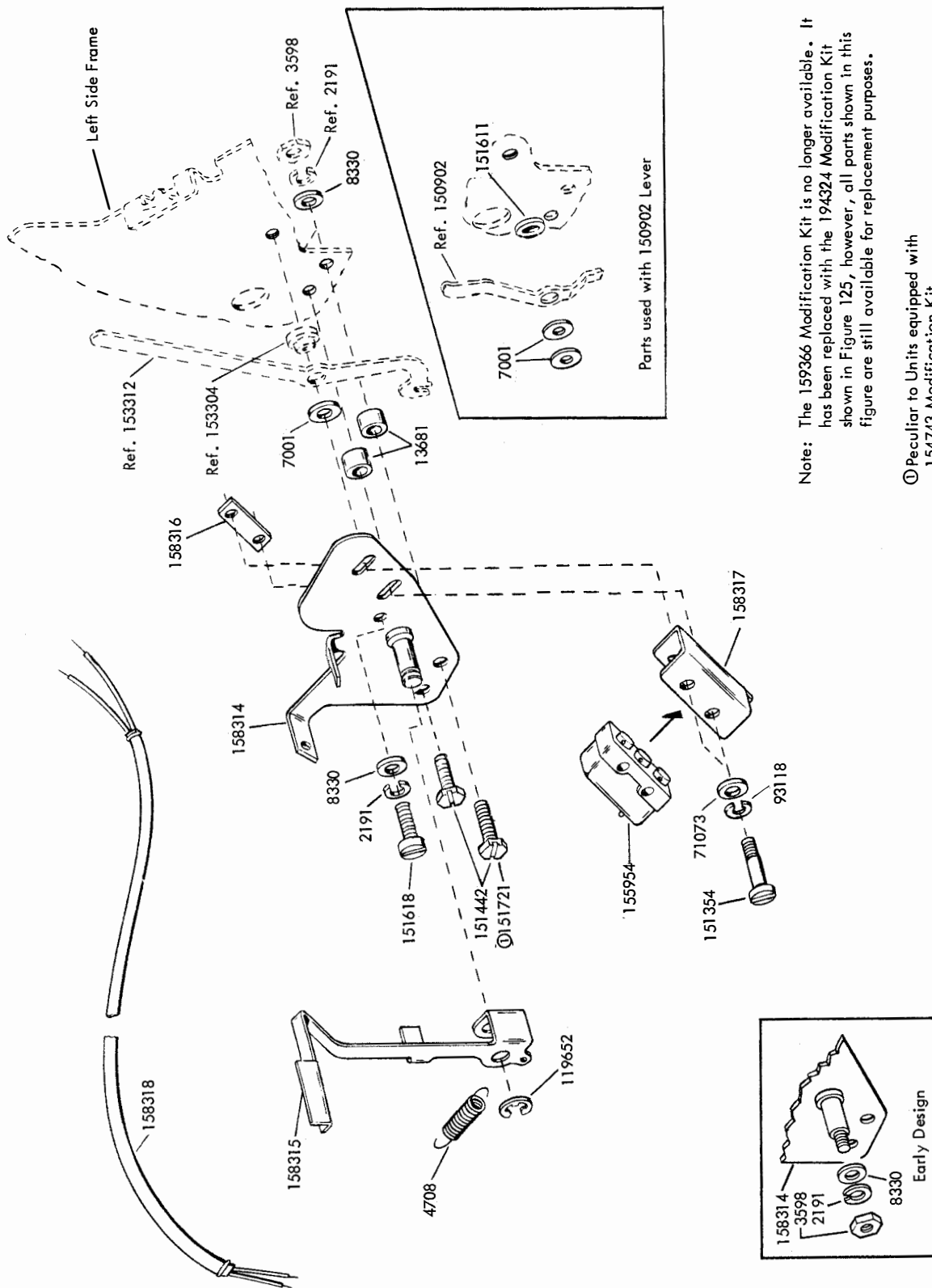


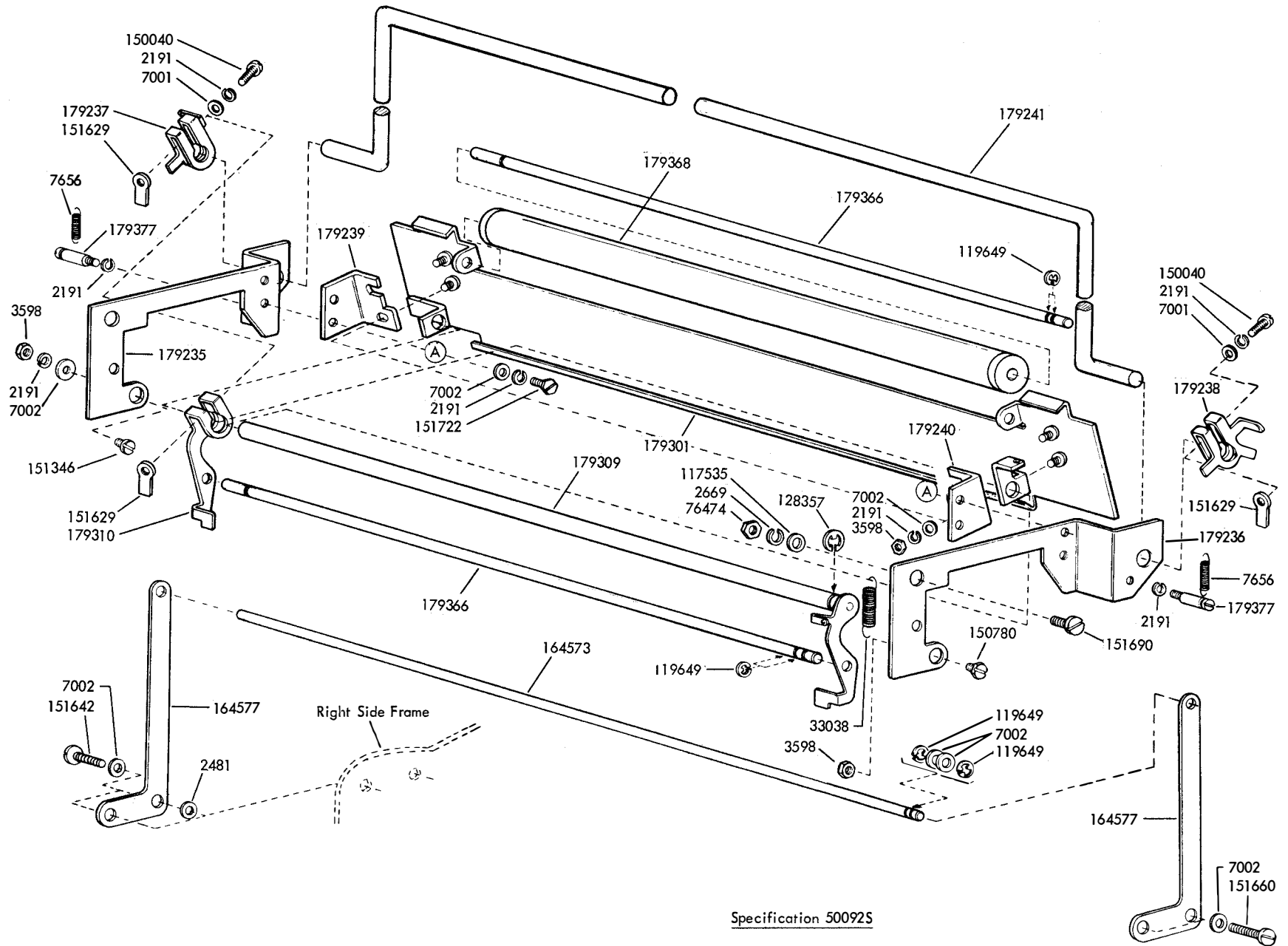
FIGURE 114. 159366 MODIFICATION KIT TO PROVIDE A FRICTION FEED PRINTER WITH PAPER-OUT ALARM

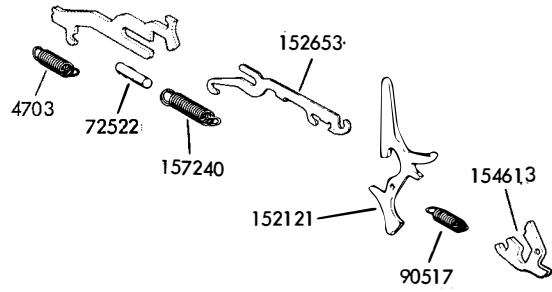
Note: The 159366 Modification Kit is no longer available. It has been replaced with the 194324 Modification Kit shown in Figure 125, however, all parts shown in this figure are still available for replacement purposes.

Ⓟ Peculiar to Units equipped with 154743 Modification Kit

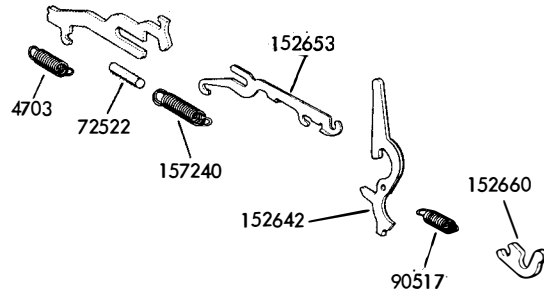
Specification 58885

FIGURE 115. 179369 MODIFICATION KIT TO PROVIDE COPY DISPLAY

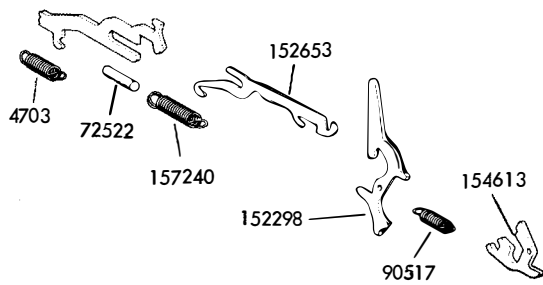




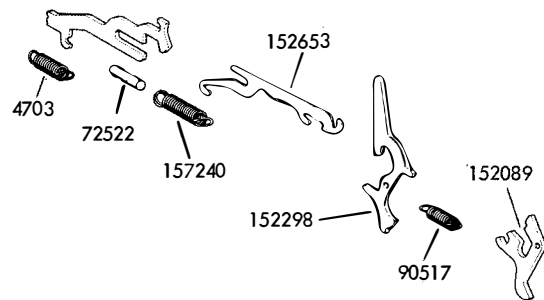
153915 (sequential)



153916 (without latching)

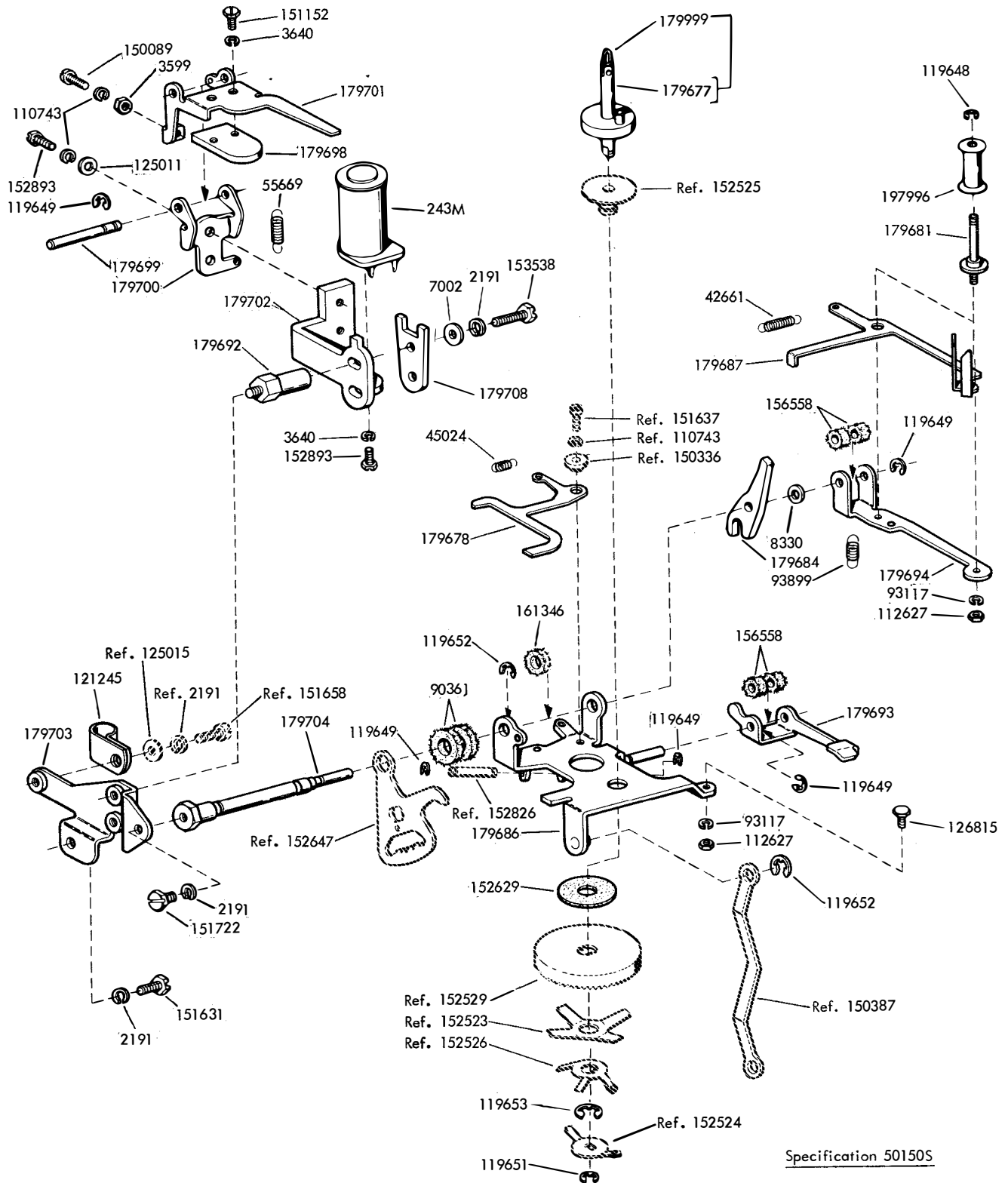


153917 (latching by stripper bail latch)



153918 (latching with release latch)

FIGURE 116. SELECTIVE CALLING FUNCTION LEVER MODIFICATION KITS



Specification 50150S

FIGURE 117. 179724 MODIFICATION KIT TO PROVIDE TWO COLOR RIBBON PRINTING - RIGHT SIDE (CONTINUED ON NEXT PAGE)

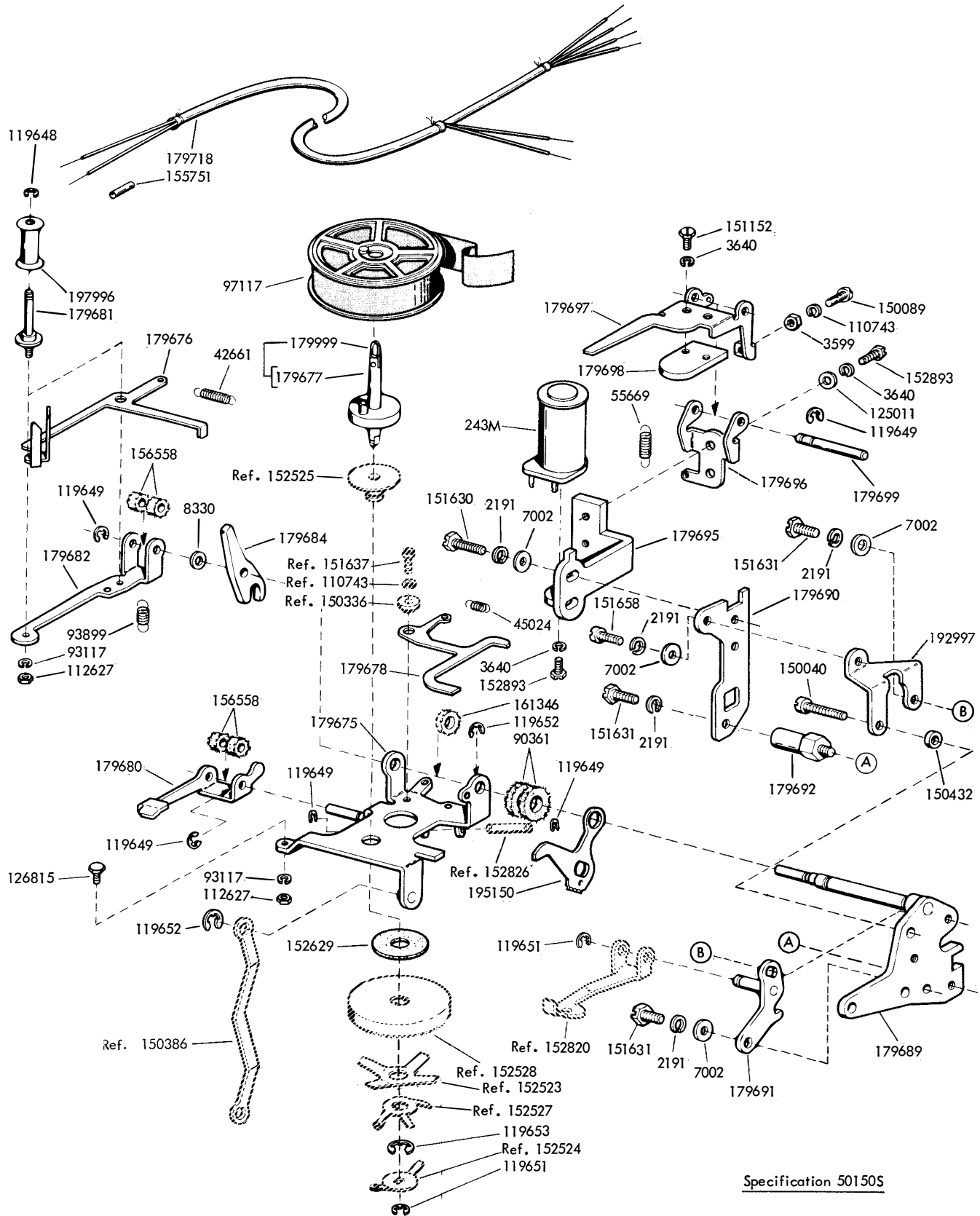
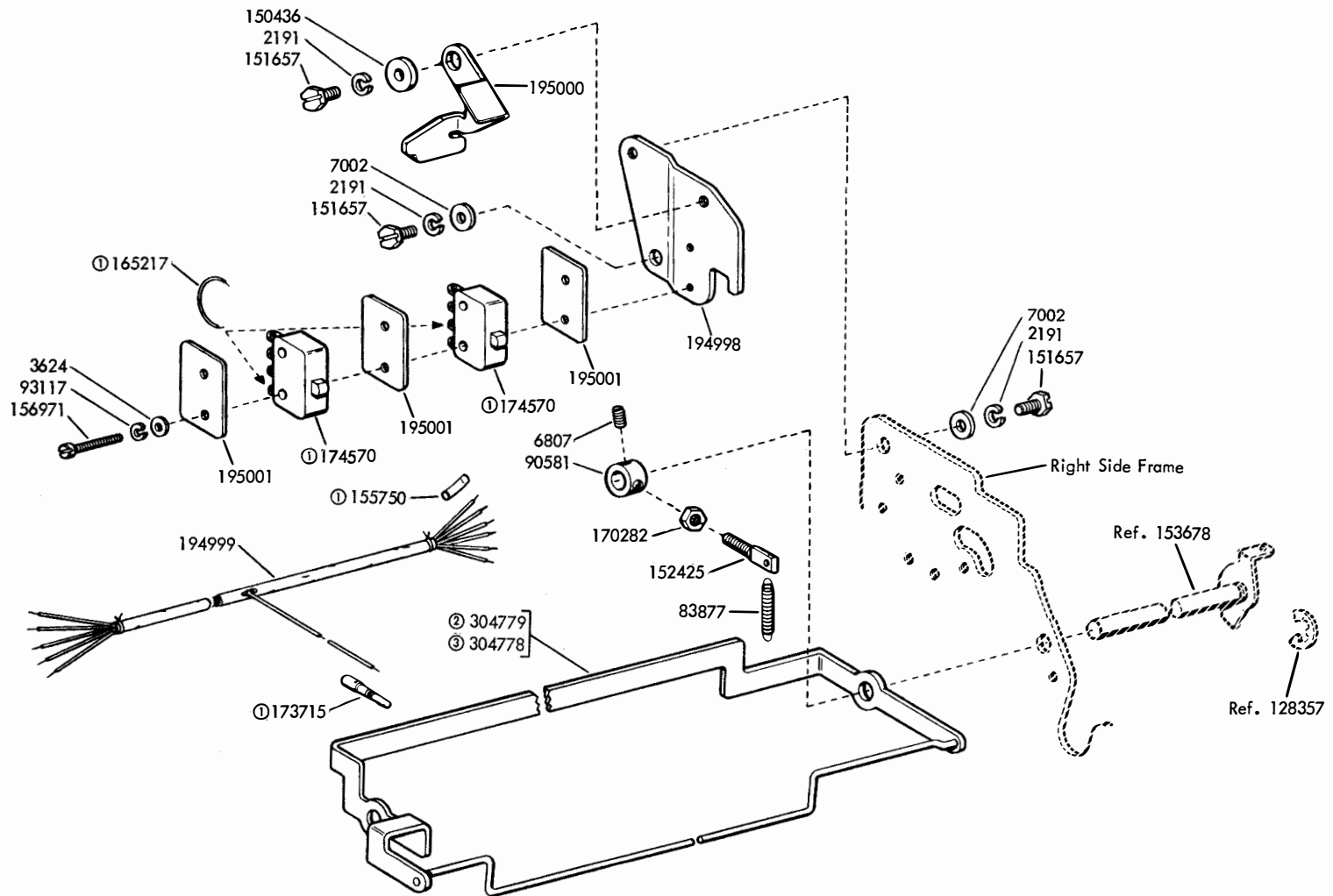


FIGURE 118. 179724 MODIFICATION KIT TO PROVIDE TWO COLOR RIBBON PRINTING - LEFT SIDE (CONTINUED FROM PRECEDING PAGE)

FIGURE 119. 194995 AND 199245 MODIFICATION KITS TO PROVIDE PAPER JAM ALARM



- ① Part of 194999 Cable Assembly
- ② Peculiar to 194995 Modification Kit (8-1/2" wide paper)
- ③ Peculiar to 199245 Modification Kit (6-1/4" wide paper)

Specification 501355

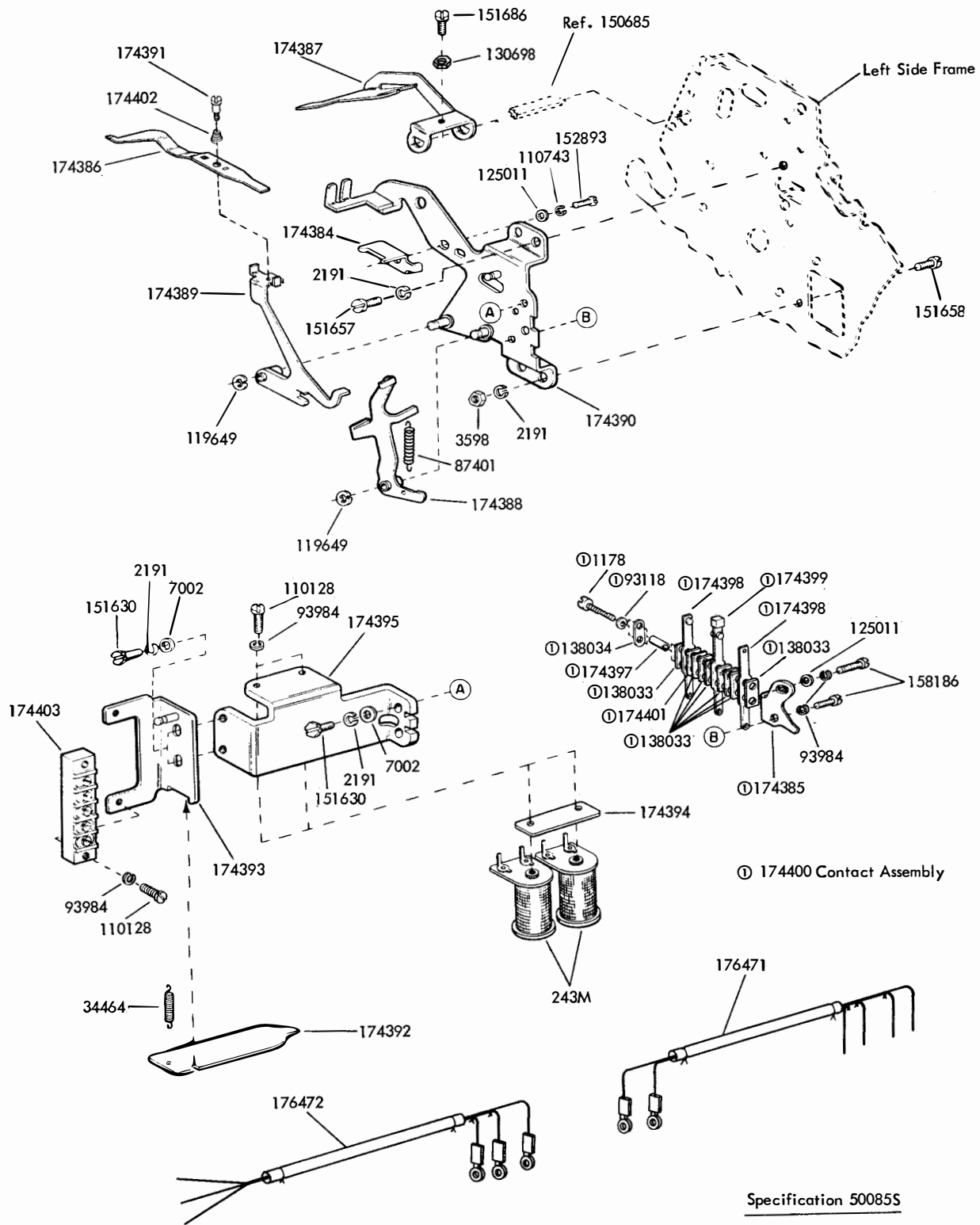
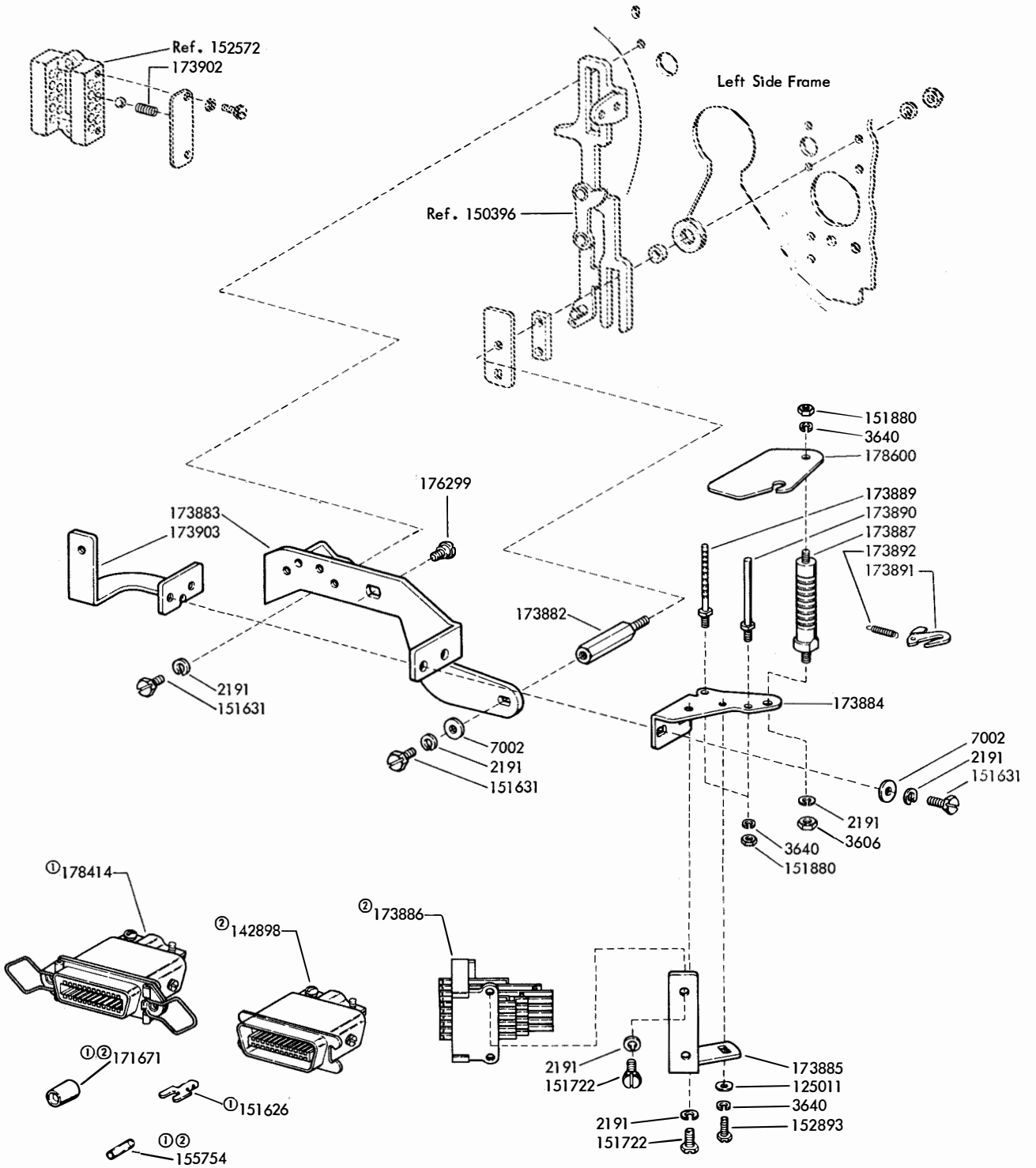


FIGURE 120. 174043 MODIFICATION KIT TO PROVIDE PAPER FEED FAILURE INDICATOR

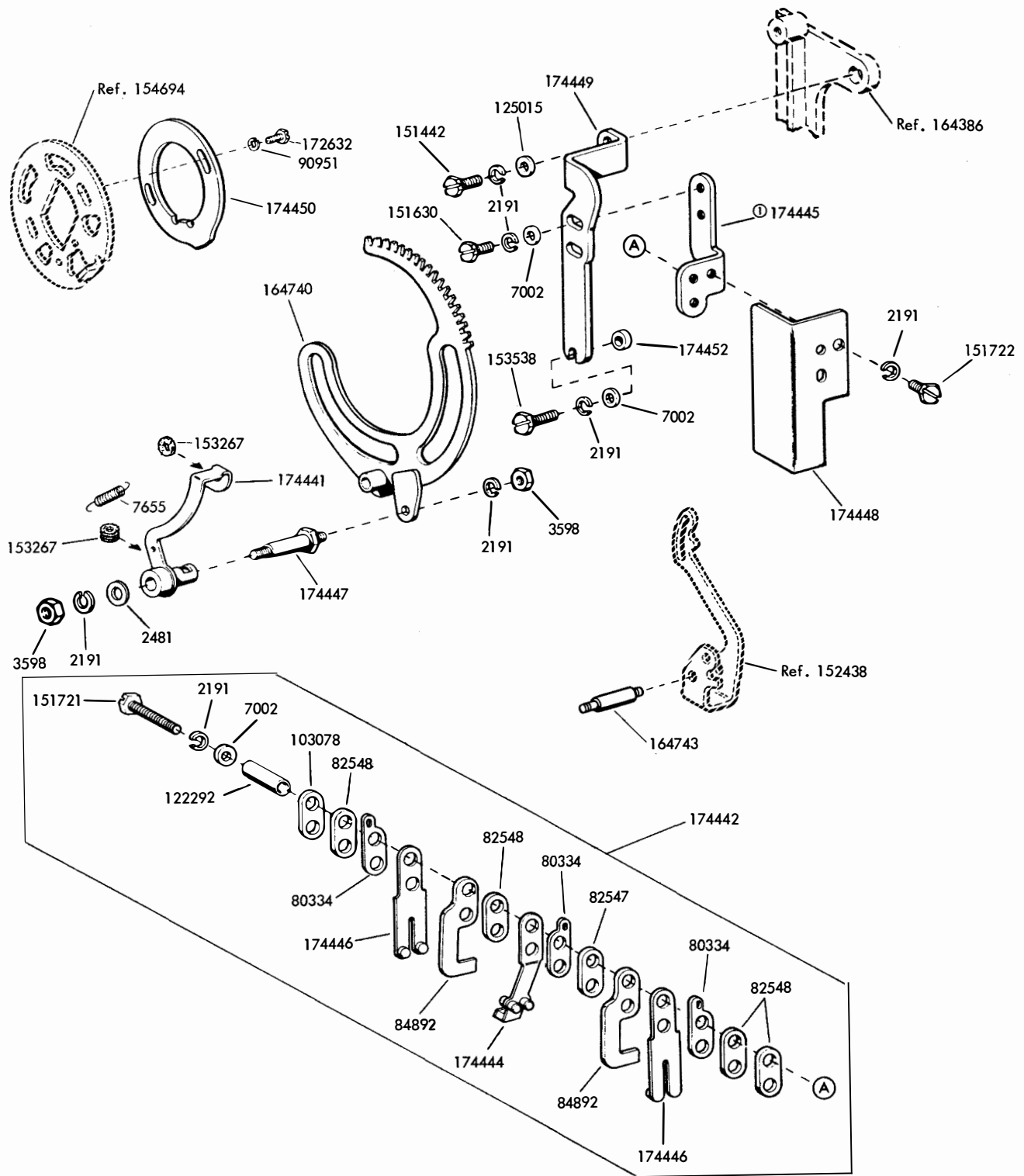


- ① Part of 198655 Cable Assembly
- ② Part of 198656 Cable Assembly

Note: The 198394 Modification Kit also includes the 163146 Modification Kit shown in Figure 113 and the 192566 and 192567 Link Assemblies shown in Figure 34.

Specification 50069S

FIGURE 121. 198394 MODIFICATION KIT TO PROVIDE UNIVERSAL CONTACTS



Specification 50041S

Ⓐ Part of 174442 Contact Assembly

FIGURE 122. 176420 MODIFICATION KIT TO PROVIDE SELECTOR WITH TIMING CONTACTS

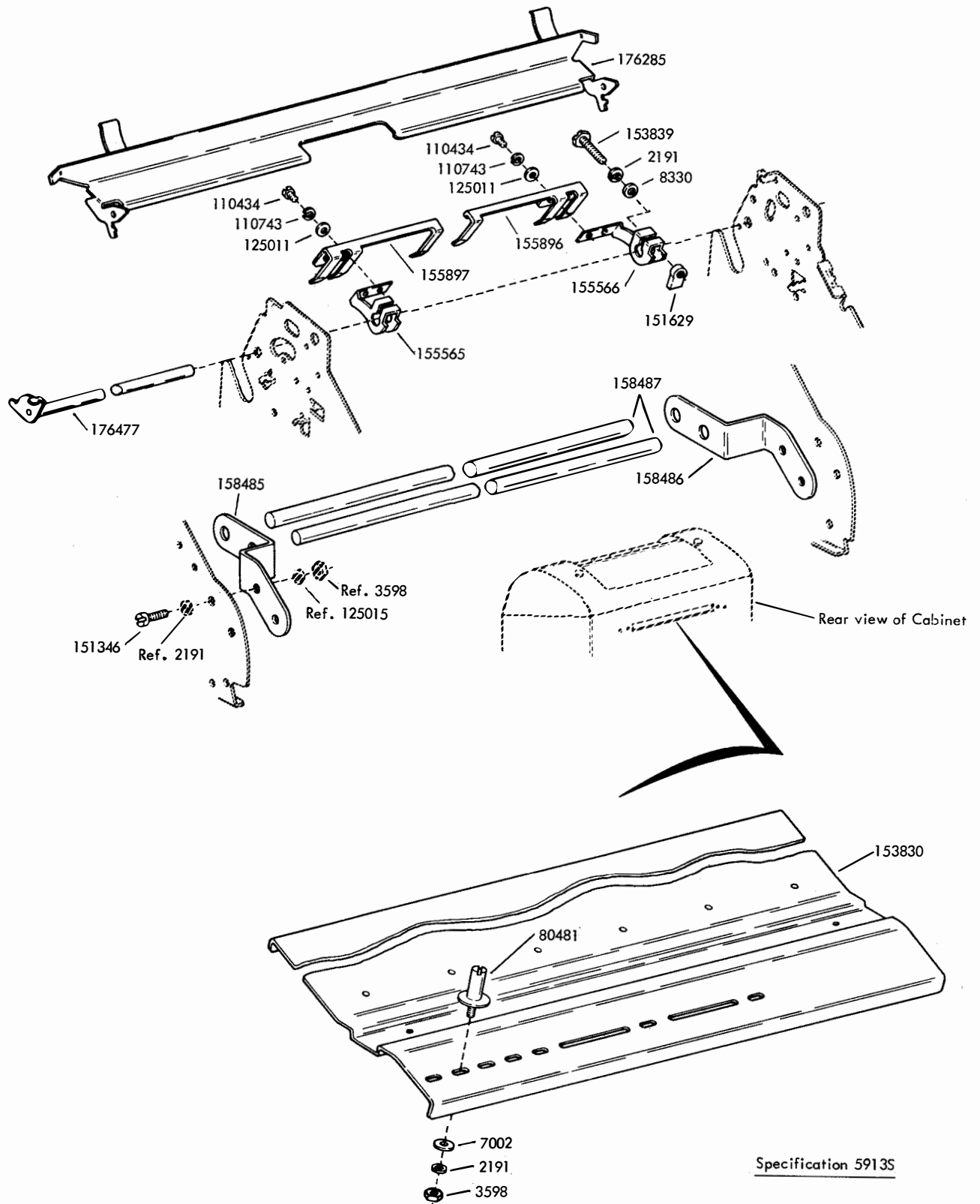


FIGURE 123. 154798 MODIFICATION KIT TO PROVIDE SUPERFOLD FRICTION FEED PAPER HANDLING

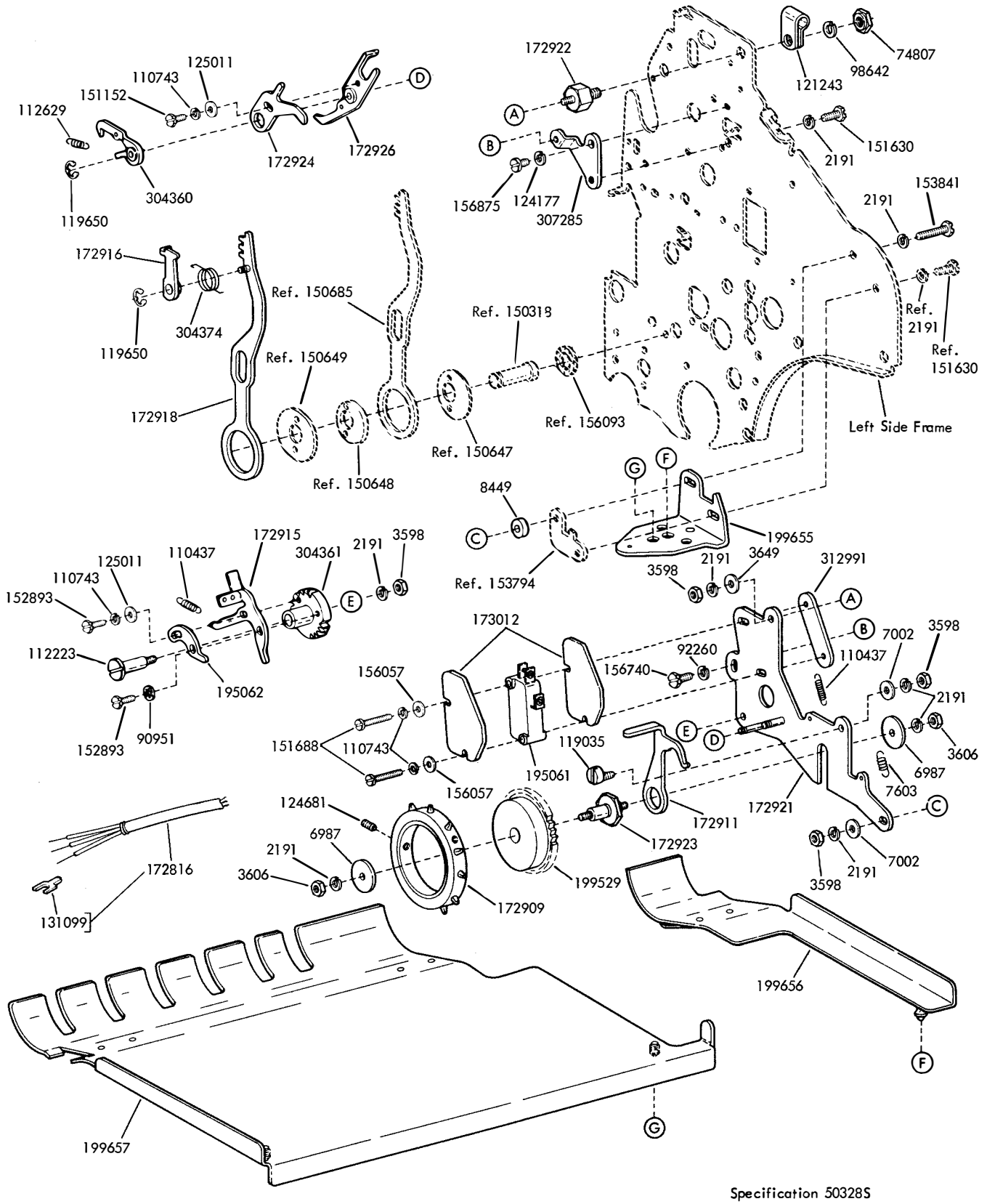
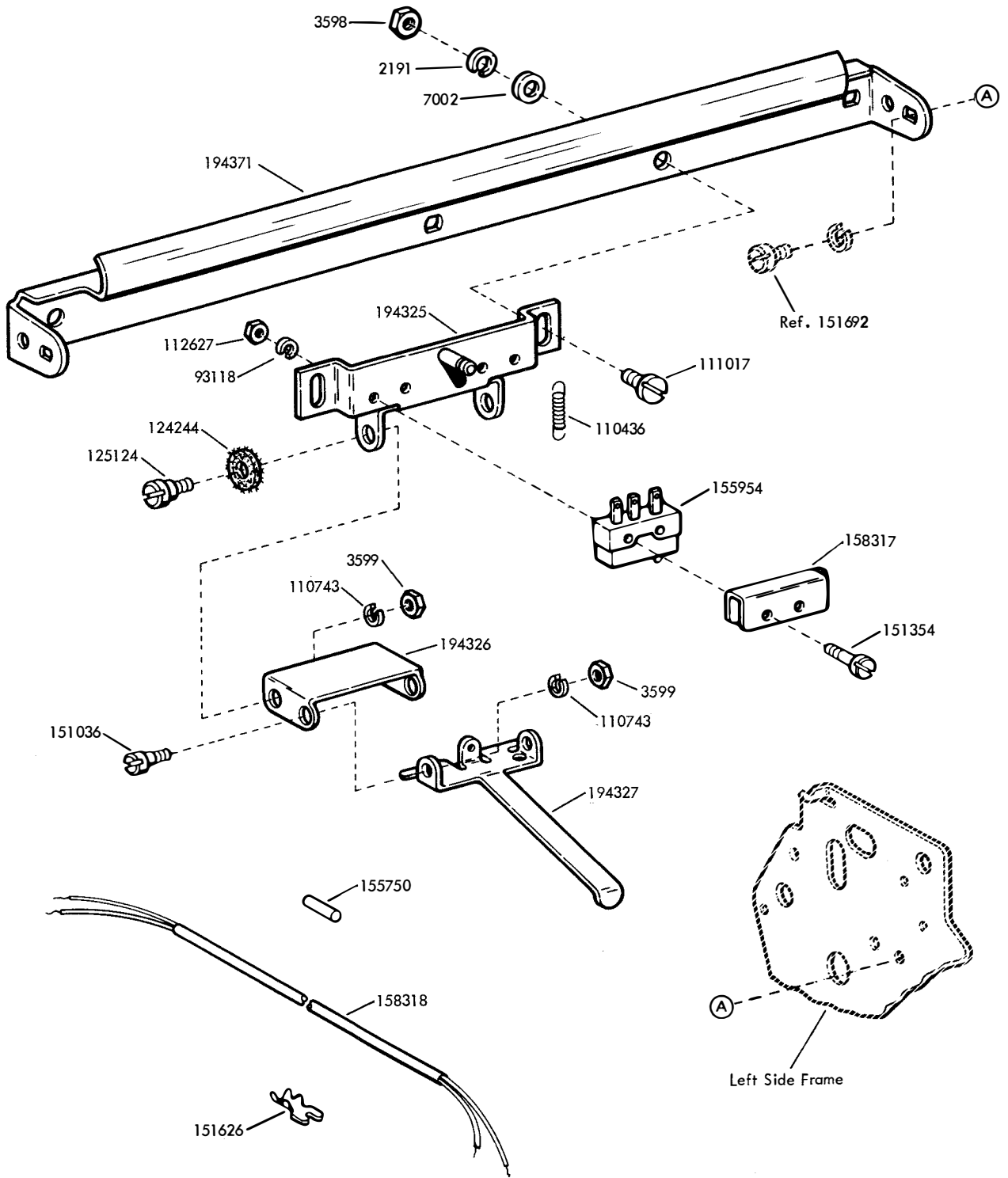


FIGURE 124. 194092 MODIFICATION KIT TO PROVIDE PAPER MOTION ALARM



Specification 58885

FIGURE 125. 194324 MODIFICATION KIT TO PROVIDE A PAPER-OUT ALARM SWITCH

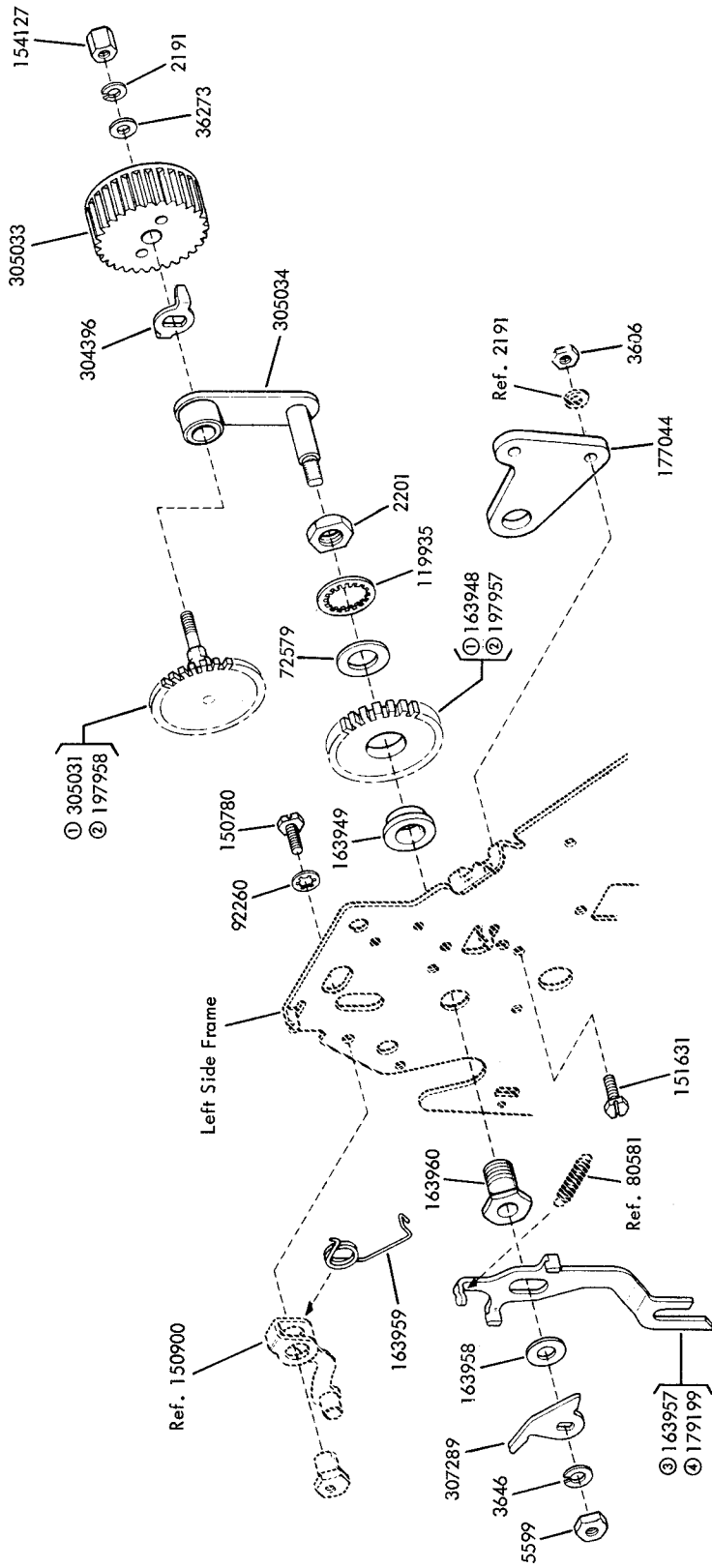


FIGURE 126. 305035, 305036 AND 307065 MODIFICATION KITS TO PROVIDE IMPROVED MANUAL PLATEN LINE FEED

- ① Part of 305035 and 305036 Modification Kits (3 or 6 line feeds per inch)
- ② Part of 307065 Modification Kit (4 or 8 line feeds per inch)
- ③ Black oxide coated - part of 305035 and 307065 Modification Kits (for Sprocket Feed Printers)
- ④ Nickel plated - part of 305036 Modification Kit (for Friction Feed Printers)

Specification 5949S

NOTES OF EXPLANATION

- Note 1: (Figure 4) Parts shown in Figure 4 are peculiar to LP68.
- Note 2: (Figure 7) The 150098 Pressure Bail is no longer available. It has been replaced by a 157290 Pressure Bail. When replacing the 150098 with the 157290 Pressure Bail, two 150269 Rollers and four 150266 Guide Levers are removed. All other parts are available for maintenance.
- Note 3: (Figure 10) The 153317 Bearing Bracket is no longer available. It has been replaced by a 157990 Bearing Bracket, a 157991 Stud, a 2669 Lock Washer and a 112626 Screw.
- Note 4: (Figures 11 and 13) Parts shown in Figures 11 and 13 are peculiar to LP98.
- Note 5: (Figure 16) The 153560 Cam Shaft is no longer available. It has been replaced by a 154789 Modification Kit to replace the 153560 Cam Shaft and associated parts (see Figure 14 for components).
- Note 6: (Figure 16) The 153573 Bail has been redesigned but retains its original number (see Figure 14 for late design).
- Note 7: (Figure 17) The 153700 Platen Hub has been replaced by a new 154358 Platen Hub. The 153751 through 153767 Rubber Platens have been replaced by new 176221 through 176237 Rubber Platens. The new platen hub may be identified by ① a rectangular groove in the platen locating diameter of the hub (for a neoprene "O" ring) and ② a shoulder to act as a stop for the platen. The early design rubber platen has ① formed lugs to position the platen against the hub and ② the inside diameter is increased at each end to fit the platen hub. The new rubber platen has no positioning lugs and the inside diameter is uniform from end to end. The old style rubber platens can be used with the new hubs, but the new rubber platens cannot be used with the old style hubs.
- Note 8: (Figure 22) Since the type box alignment cannot be adjusted, the 152502 Type Box Carriage Plate is no longer available. It has been replaced by a 152502 Modification Kit to provide Type Box Alignment (See Figure 21 for components).
- Note 9: (Figure 28) The 154625 Space Suppression Ring is used on LP6, LP7, LP8 and LP9.
- Note 10: (Figure 31) The 150953 Slide Assembly is no longer available. It has been replaced by a 153183 Slide Assembly and a 153946 Modification Kit to provide improved Horizontal Positioning Knee Link Assembly (see Figures 30 and 34 for components).
- Note 11: (Figure 31) The 150531 Clamp Plate is no longer available. It has been replaced by a 164316 Clamp Plate (shown in Figure 30).
- Note 12: (Figure 32) The 3649 Flat Washer and 153884 Gear are used on LP8.
- Note 13: (Figure 32) The 150438 Bellcrank is used on LP3 and LP8.
- Note 14: (Figure 35) The 152569 and 152570 Shift Slide Drive Linkages are no longer available. They are replaced by a 153946 Modification Kit to provide improved Horizontal Positioning Knee Link Assembly (see Figure 34 for components).
- Note 15: (Figure 35) The 150757 Arm is no longer available. It has been replaced by a 170079 Arm.
- Note 16: (Figure 41) The 152434 Plate is no longer available. It has been replaced by a 153904 Modification Kit to provide improved Range Scale Sector Mounting (see Figure 39 for components).
- Note 17: (Figure 41) The 153491 Plate is no longer available. It has been replaced by a 154723 Modification Kit to provide improved Range Scale Sector Mounting (see Figure 39 for components).
- Note 18: (Figure 41) The 152439 Shaft is no longer available. It has been replaced by a 157261 Shaft and a 119648 Retaining Ring.
- Note 19: (Figure 42) Parts shown enclosed are peculiar to LP94.
- Note 20: (Figure 44) The 152413 Magnet Bracket is no longer available. It has been replaced by a 164386 Magnet Bracket.
- Note 21: (Figure 44) The 152422 Armature is no longer available. It has been replaced by a 160180 Armature.
- Note 22: (Figure 44) The 152424 Stop Plate is no longer available. It has been replaced by a 160184 Stop Plate.
- Note 23: (Figure 48) The 152554 Code Bar is used on LP3.
- Note 24: (Figure 48) The 150285 Tie Bar and the 152721 Code Bar are used on LP3, LP4, LP5 and LP7.
- Note 25: (Figure 50) The old 152560 Pallet Box Rear Plate previously shown is no longer available. It is replaced by the 194054 Set of Parts consisting of a Front Plate and Rear Plate shown in Figure 50. The new plates are identified by a letter "X" stamped in the top center of each plate between the "LTRS" and "FIGS" stamping. The "X" is omitted on the old plates. New and old style plates are interchangeable in pairs only. The old 154616 Pallet Box Front Plate previously shown is still available for replacement purposes.
- Note 26: (Figure 51) The old and new style type boxes may be identified by the depth of the Pallet Box Front Plate (new style being shallower). The old style pallets cannot be used in the new style type boxes. New style pallets can be used in either new or old style type boxes. The old style 150077 Pallet Spring is no longer available and is replaced by a new style 157238 Pallet Spring. Only the new style spring can be used universally with either the new or old style typepallets and typeboxes. However, the old style springs can be used with the new style pallets in an old style type box. The old and new style pallets may be identified by the length of the shank from the rear of the pallet head to the far end of the elongated hole. (The old style being the longer — See Figures 50 and 51).
- Note 27: (Figure 60) The switch assemblies shown in Figure 60 are no longer available. They have been replaced by new style switch assemblies shown in Figure 59. The replacements are as follows: The 155917 through 155924 Switch Assemblies have been replaced by 172600 through 172608 Switch Assemblies respectively. The 157070 through 157100 Switch Assemblies have been replaced by 172500 through 172530 Switch Assemblies respectively. The 160192 through 160197

NOTES OF EXPLANATION (continued)

Switch Assemblies have been replaced by 172531 through 172536 Switch Assemblies respectively. The 160198 Switch Assembly has been replaced by a 172534 Switch Assembly. The 160199 through 160218 Switch Assemblies have been replaced by 172538 through 172557 Switch Assemblies respectively. The 160219 Switch Assembly has been replaced by a 172560 Switch Assembly. The 160220 Switch Assembly has been replaced by a 172559 Switch Assembly.

Note 28: (Figure 86) The 153701 through 153717 Modification Kits are no longer available. They have been replaced by 176181 through 176197 Modification Kits respectively; However, the parts remain the same with the exception of the 153751 through 153767 Platens which have been replaced by the new 176221 through 176237 Platens respectively. The old style 153751 through 153767 Platens are still available for replacement purposes (see Figure 17 and Note 7).

NUMERICAL INDEX

Part Number	Description and Page Number	Part Number	Description and Page Number	Part Number	Description and Page Number
190M	Coil, Magnet 97	7603	Spring 29, 33, 112	74882	Spring 24
209M	Coil, Magnet 90	7655	Spring 71, 110	74891	Shim (.004" Thk) 97
233M	Coil, Magnet 14	7656	Spring 103	75229	Spring 35, 87
243M	Coil, Magnet 105, 106, 108	7835	Ribbon w/Spool (Black) 49	75607	Washer, Flat 83
250M	Coil, Magnet 47	7965	Spring 13, 79	76081	Washer, Flat 46
254M	Coil, Magnet 45	8330	Washer, Flat 4, 20, 29, 32, 39, 42, 52, 77, 78, 92, 102, 105, 106, 111	76099	Washer, Flat 46
290M	Coil, Magnet 15			76246	Bushing, Insulating 98
1010	Screw, Shoulder (6-40) 6	8449	Spacer (.094" Thk) 29, 49, 112	76249	Screw (6-40 x 1/8 Fil) 12
1028	Screw (4-40 x 1/4 Fil) 14, 97	13681	Spacer (.187" Thk) 4, 102	76379	Spring 22
1041	Screw, Shoulder (6-40) 83	21397	Washer, Spring 68, 89	76461	Washer, Flat 33
1164	Screw (2-56 x 3/16 Fil) 25	22015	Spring 49	76474	Nut (10-32 Hex) 103
1178	Screw (2-56 x 7/16 Fil) 108	27425	Screw (2-56 x 5/32 Fil) 24	76800	Spring 20
1196	Screw, Shoulder (6-40) 18	31636	Spring 50, 75	78533	Spring 42
1214	Screw, Set (10-32) 35	33038	Spring 11, 71, 103	79012	Insulator 46
1272	Screw (6-40 x 11/16 Fil) 86	33828	Spring 22, 24, 37	79449	Shim (.008" Thk) 36
1293	Screw (4-40 x 1/8 Fil) 49	34432	Washer, Flat 50, 69, 74, 91, 98	80310	Washer, Felt 31
2034	Washer, Flat 40, 42	34464	Spring 108	80334	Terminal, Contact 69, 98, 110
2191	Washer, Lock 4, 5, 7, 9, 11 to 27, 29, 31, 32, 33, 35 to 40, 42, 44, 45, 46, 48 to 52, 59, 60, 68, 69, 71, 72, 74 to 80, 82, 83, 86, 89, 90, 92, 93, 95, 97 to 103, 105 to 114	35826	Washer, Flat 16, 68, 89	80342	Screw (6-40 x 23/64 Hex) 59, 92
2201	Nut (5/16-32 Hex) 7, 98, 114	36273	Washer, Flat 7, 37, 114	80424	Spring 98
2422	Washer, Lock 16, 69	36463	Spring 37	80481	Screw (6-40 Spl) 111
2438	Washer, Flat 14, 45, 97	41382	Spring 42, 89	80581	Spring 11, 21, 35, 36, 85, 98, 114
2481	Washer, Flat 18, 99, 103, 110	41675	Washer, Flat 71, 93	80708	Clamp, Cable 15, 69, 74, 78, 90
2539	Nut (3/8-32 Hex) 17, 29, 77	41720	Spring, Contact 69	80755	Bushing, Insulating 91, 98
2669	Washer, Lock 4, 11, 15, 16, 17, 22, 24, 31, 35, 42, 68, 89, 90, 92, 100, 103, 115	41732	Plate, Clamp 69, 91, 98, 101	80833	Guard, Contact Spring 98
2836	Spring 12	41733	Insulator (.062" Thk) 69, 101	80848	Spring 20
3438	Washer, Flat 36, 86, 100	42661	Spring 16, 48, 49, 68, 105, 106	81731	Spring 35, 80, 87
3598	Nut (6-40 Hex) 4, 6, 7, 9, 11, 12, 15 to 19, 21 to 27, 29, 33, 35 37 to 40, 42, 45, 52, 68, 71, 72, 74, 77, 79, 83, 86, 89, 93, 96, 98, 99, 102, 103, 108, 110 to 113	42823	Washer, Flat 16, 26, 27, 70	81778	Screw (4-40 x 3/16 Fil) 45
3599	Nut (4-40 Hex) 7, 9, 15, 29, 33, 35, 37, 42, 44, 45, 49, 60, 61, 74, 77, 90, 91, 105, 106, 113	42827	Screw (3-48 x 1/4 Fil) 50	82442	Spring 11
3606	Nut (6-40 Hex) 41, 44, 59, 98, 109, 112, 114	45024	Spring 105, 106	82463	Spring 11, 12, 48, 49, 71, 93
3624	Washer, Flat 107	45027	Spring 35	82547	Insulator (.094" Thk) 69, 91, 98, 101, 110
3640	Washer, Lock 11, 12, 33, 40, 98, 105, 106, 109	45815	Washer, Lock 98	82548	Insulator (.062" Thk) 69, 91, 98, 110
3646	Washer, Lock .7, 98, 114	49420	Spring 52	82860	Spring 83
3649	Washer, Flat 35, 39, 112, 115	55063	Spring 20	82999	Spring 15, 90
4586	Washer, Felt 11	55669	Spring 105, 106	83877	Spring 107
4703	Spring 65, 68, 72, 89, 96, 101, 104	70072	Washer, Lock 91	84575	Spring 11, 34
4708	Spring 4, 102	70388	Spring 29, 60, 78	84598	Spring, Contact 69
4812	Wick, Felt 96	70529	Stiffener 98	84758	Spring 71, 93
5599	Nut (8-32 Hex) 7, 98, 114	70886	Washer, Flat 12	84892	Stiffener 69, 110
5740	Screw (2-56 x 1/4 Fil) 58	71047	Washer, Flat 68, 89	85407	Spring, Compression 73
6800	Screw, Shoulder (6-40) 29	71073	Washer, Flat 102	85816	Wick, Felt 33
6807	Screw, Set (6-40) 107	71681	Spool, Ribbon 48	85935	Post, Spring 99
6987	Washer, Flat 112	72254	Washer, Flat 93	86079	Washer, Felt 83
7001	Washer, Flat 4, 102, 103	72468	Spring 9	86304	Spring 11
7002	Washer, Flat 4, 11, 12, 14, 15, 16, 22 to 25, 27, 29, 31, 33, 35, 36, 37, 39, 40, 42, 45, 48, 49, 52, 68, 69, 71, 72, 74, 75, 78, 79, 82, 83, 89, 90, 93, 95, 97 98, 99, 101, 103, 105 to 113	72522	Wick, Felt 61, 68, 72, 89, 96, 104	86835	Spring 37, 45, 74, 79
7036	Collar, Locking 11, 50	72579	Washer, Flat 7, 98, 114	86959	Bushing, Insulating 69
		73035	Spring 80	87401	Spring 71, 93, 108
		73175	Washer, Lock 17, 29, 77	89096	Washer, Felt 33
		73427	Washer, Flat 12	89897	Nut (10-32 Hex) 35
		73520	Wick, Felt 35	90054	Spring 89
		74283	Washer, Spring 42	90361	Washer, Felt 11, 12, 22, 24, 48, 49, 105, 106
		74536	Screw, Set (6-40) 11	90432	Washer, Flat 23, 25
		74547	Collar 29	90490	Shim (.005" Thk) 11, 12
		74553	Wick, Felt 24	90504	Washer, Felt 33, 59
		74700	Spring 99	90517	Spring 16, 61, 68, 72, 89, 96, 104
		74701	Spring 9, 29	90581	Collar 107
		74707	Spring 12	90599	Shim (.008" Thk) 52
		74712	Spring 30	90606	Spring 60
		74716	Bushing 101	90679	Washer, Felt 11, 13, 41
		74722	Washer, Flat 20, 21	90790	Washer, Flat 101
		74727	Terminal, Contact 101	90791	Washer, Lock 24, 25, 61
		74728	Terminal, Contact 91	90819	Washer, Felt 17, 29
		74755	Washer, Felt 31	90951	Washer, Lock 77, 110, 112
		74785	Roller 29	92260	Washer, Lock 4, 89, 112, 114
		74798	Screw (6-40 x 31/64 Fil) 17		
		74807	Nut (10-32 Hex) 100, 112		

NUMERICAL INDEX (Continued)

Part Number	Description and Page Number	Part Number	Description and Page Number	Part Number	Description and Page Number
92682	Nut (4-40 Spl) 39	112627	Nut (2-56 Hex) 25, 61, 69, 105, 106, 113	128357	Ring, Retaining 20, 103, 107
93001	Washer, Flat 12	112629	Spring 93, 112	130683	Washer, Lock 33
93117	Washer, Lock 74, 105, 106, 107	112633	Spring w/Wick 52	130696	Washer, Felt 92
93118	Washer, Lock 4, 102, 108, 113	112634	Spring 48, 49	130698	Nut (4-40 Hex) 108
93356	Washer, Felt 17, 18, 24, 26, 29, 36, 37, 52, 71	112889	Screw (4-40 x 1/8 Fil) 71	131099	Terminal (5/8" Lg) 112
93507	Screw (4-40 x 3/4 Hex) 58	114107	Spring 40	135716	Spring 14, 29, 68, 71, 89
93729	Wick, Felt 40, 52	114215	Post, Spring 7	138033	Insulator (.031"Thk) 108
93758	Washer, Felt 11, 12, 14, 29, 75	115122	Washer, Felt 22, 24	138034	Plate, Clamp 108
93879	Oiler, Felt 11	115529	Screw (6-40 x 11/16 Fil) 89	139555	Spring 35
93899	Spring 105, 106	117535	Washer, Flat 103	142898	Connector, Plug (24 Pt) 109
93984	Washer, Lock 108	119035	Screw, Eccentric (6-40) 112	145301	Latch 61
94316	Yoke 15, 90	119418	Washer, Flat 16, 69	150000	Drum, Clutch 26, 27
94317	Shaft 15, 90	119467	Insulator (.032" Thk) 16, 69	150001	Drum, Clutch 27
94674	Washer, Cup 52	119648	Ring, Retaining 14, 16, 24, 37, 42, 60, 68, 80, 89, 97, 105, 106, 115	150004	Cam, Code Bar Clutch 27
94693	Wick, Felt 61, 68, 72, 89	119649	Ring, Retaining 11, 12, 14, 15, 16, 25, 33, 35, 40, 48, 49, 59, 68, 71, 72, 75, 78, 83, 89, 90, 93, 96, 99, 103, 105, 106, 108	150010	Plate, Retaining 26
95030	Nut, Shoulder (6-40 Hex) 73	119650	Ring, Retaining 76, 112	150013	Disk, Adjusting 26, 27
95428	Spring 58, 59	119651	Ring, Retaining 9, 11, 13, 22, 24, 33, 36, 37, 48, 49, 52, 59, 72, 93, 96, 105, 106	150014	Disk, Adjusting 26, 28
95827	Bushing 35, 85	119652	Ring, Retaining 11, 12, 13, 17, 19, 22, 24, 27, 29, 33, 35, 36, 37, 39, 42, 48, 49, 52, 59, 71, 79, 93, 95, 101, 102, 105, 106	150021	Clutch Assembly, Code Bar 27
96717	Screw, Shoulder (4-40) 42	119653	Ring, Retaining 11, 12, 21, 35, 37, 48, 49, 59, 93, 105, 106	150024	Clutch Assembly, Line Feed 28
97117	Ribbon w/Spool (Red-Black) 106	119935	Washer, Lock 7, 98, 114	150025	Clutch Assembly, Type Box 26
97481	Wick, Felt 17	120824	Washer, Felt 27	150026	Lever, Shoe, Release 26, 27
98561	Bushing 83	121120	Collar 86	150027	Lever, Shoe, Release 26, 28
98642	Washer, Lock 112	121242	Clamp, Cable (1/8" ID) 69	150029	Wick, Felt 26, 27
98726	Screw (3-48 x 1/4 Fil) 91	121243	Clamp, Cable (3/16" ID) 14, 45, 59, 74, 92, 112	150030	Roller, Bearing 52
98832	Screw (4-40 x 11/16 Fil) 69	121244	Clamp, Cable (1/4" ID) 59, 69	150032	Disk, Clutch Cam (2 Stop) 28
100337	Spring 72	121245	Clamp, Cable (5/16" ID) 59, 105	150033	Disk (3 Stop) 26
101386	Spring 7	121246	Clamp, Cable (3/8" ID) 45	150034	Disk (2 Stop) 28
101796	Washer, Felt 11, 24, 35, 52	121247	Clamp, Cable (7/16" ID) 59	150035	Disk (3 Stop) 26
102672	Spring, Contact 98	121248	Clamp, Cable (1/2" ID) 74	150036	Carriage Assembly 2, 52
102673	Spring, Contact 98	121249	Clamp, Cable (5/8" ID) 86	150038	Latch 52
103078	Plate 110	121473	Post 101	150039	Slide, Printing Arm 52
103815	Collar 71	121538	Terminal 46	150040	Screw (6-40 x 5/8 Fil) 20, 26, 27, 29, 77, 103, 106
103863	Spacer (.055" Thk) 60	121605	Bushing 78	150043	Shoe, Secondary Clutch 26, 27
104807	Washer, Flat 89	122149	Screw, (4-40 Spl) 60	150044	Shoe, Primary Clutch 26, 27
104824	Spring 45	122292	Bushing, Insulating 110	150045	Bearing, Clutch Sleeve 26, 28
105028	Wick, Felt 37	124177	Washer, Lock 12, 44, 112	150046	Bearing, Type Box Clutch 26
105940	Stiffener 101	124244	Washer, Felt 40, 113	150047	Bearing, Code Bar Clutch 27
106281	Screw, Shoulder (4-40) 12, 78	124681	Screw, Set (6-40) 9, 112	150049	Spring 42
107116	Washer, Lock 5, 74, 79, 86	124999	Switch, Sensitive 16	150050	Spacer, Clutch 28
107207	Spring, Contact 69	125011	Washer, Flat 7, 9, 11, 12, 14, 17, 20, 21, 22, 24, 25, 31, 35, 41, 42, 52, 53, 59, 60, 62, 68, 73, 74, 75, 77, 89, 91, 92, 95, 105, 106, 108, 109, 111, 112	150051	Spacer, Clutch 27
107236	Bushing 69	125015	Washer, Flat 9, 11, 14, 16, 17, 24, 45, 59, 68, 86, 89, 93, 105, 110, 111	150052	Cam, Eccentric 27
108199	Wick, Felt 29, 37, 52, 83	125124	Screw, Shoulder (4-40) 113	150053	Cam, Eccentric 28
110128	Screw (4-40 x 3/8 Fil) 108	125126	Screw (2-56 x 9/32 Fil) 92	150054	Bracket 52
110434	Screw (4-40 x 3/16 Fil) 4, 5, 20, 26, 34, 35, 42, 50, 53, 60, 77, 100, 111	125238	Spring 35	150055	Bail w/Roller 52
110435	Nut (4-40 Hex) 12, 39, 78	125268	Spring 87, 97	150056	Stud 18, 39
110436	Spring 113	125802	Washer, Flat 21, 35, 60	150057	Arm 27
110437	Spring 29, 71, 112	126815	Screw (2-56 x 15/64 Hex) 105, 106	150059	Bail 52
110743	Washer, Lock 4, 5, 7, 9, 14 to 17, 20, 21, 22, 24 to 27, 31, 33, 34, 35, 37, 39, 41, 42, 44, 45, 48, 49, 50, 52, 53, 58 to 63, 68, 70, 72 to 78, 80, 81, 83, 85, 89 to 92, 94, 95, 100, 101, 105, 106, 108, 111, 112, 113			150061	Head, Print Hammer 52
110839	Spring 15			150064	Stud 52
110872	Spring, Compression 35			150065	Bracket, Stop 52
110879	Spring 93			150068	Arm 52
111017	Screw (6-40 x 5/16 Fil) 15, 113			150075	Latch, Type Box 25
111342	Spring 93			150077	Spring 54, 115
111355	Spring, Compression 11, 12			150078	Nut, Shoulder (4-40 Hex) 53
112223	Screw, Shoulder (6-40) 112			150079	Stud 53
112509	Insulator (.031" Thk) 98, 101			150080	Screw, Shoulder (2-56) 25
112626	Nut (10-32 Hex) 4, 11, 16, 22, 24, 31, 35, 42, 68, 89, 115			150089	Screw (4-40 x 1/2 Fil) 35, 45, 69, 105, 106
				150091	Gear (27T) 26
				150096	Roller Assembly, Pressure 9
				150097	Bar, Cross 10
				150098	Bail, Pressure 10, 115
				150099	Guide, Rear Paper 10
				150100	thru
				150162	Pallet, Type 54

NUMERICAL INDEX (Continued)

Part Number	Description and Page Number	Part Number	Description and Page Number	Part Number	Description and Page Number
150175	Stud 37	150356	Lever, Trip 29, 30	150547	Shaft 58, 59
150184	Link 35	150358	Lever, Trip 29	150549	Collar 26
150193	Hub 35	150361	Spacer (.277" Thk) 29, 90	150553	Bushing, Insulating 60
150194	Plate 35	150363	Plate 22	150554	Plate 33, 94
150196	Bail 35, 95	150364	Stud, Eccentric 26	150557	Bracket 13, 79
150197	Stud 31	150365	Shaft, Rocker 22	150558	Spring, Torsion 37
150202	Gear (18T) 35	150366	Bracket 22	150559	Spring, Torsion 37
150203	Retainer 35	150367	Bracket 24	150561	Arm 11, 13, 79
150206	Spacer (.412" Thk) 31	150369	Link, Left 22	150563	Spring 39
150208	Bail, Left 37	150370	Link, Right 24	150569	Guide, Left 6
150214	Stud, Bearing 11	150371	Slide 60	150571	Plate, Spacing 60
150215	Block, Guide 37	150377	Arm 11	150572	Separator (.105" Thk) 60
150218	Bushing 37	150380	Stud 24	150573	Separator (.075" Thk) 60
150219	Screw (4-40 x 1/2 Sq) 33	150382	Block, Guide 22, 24	150576	Spring, Contact 60
150224	Pulley 33	150383	Spacer (.149" Thk) 22	150579	Guide, Right 6
150225	Rope, Draw Wire 31	150384	Spacer (.245" Thk) 24	150585	Bar, Line Feed 21
150228	Spacer (.035" Thk) 35	150386	Link, Left Ribbon Drive 22, 106	150586	Lever 21
150229	Retainer 35	150387	Link, Right Ribbon Drive 24, 105	150587	Spring, Contact 60
150230	Plate 52	150390	Bushing 23, 25	150588	Spring, Contact 60
150232	Retainer, Oil 37	150391	Spacer (.095" Thk) 28	150598	Track, Printing 37
150233	Roller 35	150392	Bail 11, 12	150642	Bellcrank 20, 21
150234	Roller 35	150395	Screw, Shoulder (6-40) 22, 24	150646	Screw, Shoulder (6-40) 20
150235	Slide, Transfer 35	150396	Lever, Left 14, 22, 97, 109	150647	Eccentric 21, 112
150237	Lever, Escapement 33	150397	Lever, Right 24	150648	Eccentric 21, 112
150241	Spring 26, 27	150398	Stud, Pivot 17	150649	Washer, Spacing 21, 112
150244	Link 26	150399	Shaft 11, 12	150650	Bushing 21
150245	Bracket 37	150401	Clamp 22	150651	Gear (28T) 21, 80
150247	Link 37, 38	150410	Stud 22	150652	Screw (4-40 x 37/64 Fil) 21, 98
150251	Wheel, Ratchet 31	150411	Washer, Flat 24	150654	Guide 4
150255	Bushing 33	150412	Arm, Left Follower 22	150656	Handwheel 21, 70, 80
150263	Bail 37, 38	150413	Arm, Right Follower 24	150658	Gear (21T) 21
150265	Shaft 9	150414	Bushing 17	150665	Gear (42T) 28
150266	Lever, Guide 9, 115	150419	Shaft 17	150666	Gear (28T) 21
150267	Clamp 9	150420	Lever, Right 24	150668	Collar, Spacing 35
150269	Roller, Pressure 9, 115	150423	Stud, Pivot 17	150669	Shim (.002" Thk) 35
150270	Link 9	150424	Blade, Stripper 23, 58	150670	Shim (.004" Thk) 35
150271	Arm, Release 9	150425	Lever, Lock 22, 24	150672	Bearing 35
150274	Bracket, Clamp 9	150428	Lever, Left 22	150673	Shaft 35, 90
150276	Lever 9	150429	Stud, Eccentric 22, 24	150677	Pawl, Feed 35
150285	Bar, Tie 51, 115	150431	Lever, Trip 29, 89	150678	Pawl, Feed 35
150288	Bracket 50	150432	Washer, Flat 106	150685	Plate 9, 108, 112
150289	Stud 50	150434	Bail, Transfer 13	150687	Stud 42
150291	Slide 60	150436	Bushing 9, 20, 35, 49, 107	150689	Block, Guide 58
150293	Plate, Retaining 50	150438	Bellcrank 35, 85, 115	150691	Link 34
150296	Fork, Code Bar 60	150440	Hub 26	150692	Link 34
150298	Bushing 60	150441	Gear (21T) 26	150694	Slide 35
150301	Plate, Retaining 50	150444	Lever, Trip Shaft 29	150705	Bushing 33
150302	Shim (.006" Thk) 50	150447	Arm 39	150709	Spacer 33
150304	Bracket, Guide 50	150450	Arm 39	150710	Screw (6-40 x 1-1/4 Fil) 33
150310	Lever, Ribbon 49	150451	Link 41	150711	Washer, Flat 92
150311	Lever, Ribbon 48	150452	Bearing 39	150712	Rope, Draw Wire 31
150318	Stud 21, 112	150453	Shaft 39	150714	Bearing, Sleeve 21
150327	Roller, Ribbon 48, 49	150471	Stud 39, 92	150715	Gear (32T) 21
150335	Gear (12T) 49	150479	Stud 42	150718	Platen 21
150336	Bushing 35, 48, 49, 105, 106	150481	Shaft 39, 77	150719	Retainer 21
150341	Post, Spring 4	150482	Plate 39	150720	Retainer 20, 21
150342	Screw, Shoulder (6-40) 20, 21	150507	Spring 39	150721	Arm 33
150343	Lever 49	150525	Bracket 41	150722	Arm 33
150344	Lever 48	150531	Plate, Clamp 34, 115	150726	Link, Left 34
150348	Shaft 29	150535	Spring, Compression 50	150727	Link, Right 35
150349	Arm, Follower 29	150536	Spring 35	150728	Rail 33
150350	Shaft 29, 71, 90	150537	Ball, Bearing 35, 50	150731	Slide 35
150351	Stud, Eccentric 4	150538	Cylinder, Dashpot 35	150732	Slide, Bottom 35
150352	Bushing 29	150543	Screw (3-48 x 13/32 Fil) 58	150733	Slide, Top 35
150353	Stud 4	150544	Handle 58, 59	150738	Guide 35
150354	Arm, Trip 30	150545	Bracket, Right 5	150740	Plate 38
150355	Lever, Latch 29, 30	150546	Bracket, Left 4, 15, 98	150746	Bushing 35

NUMERICAL INDEX (Continued)

Part Number	Description and Page Number	Part Number	Description and Page Number	Part Number	Description and Page Number
150748	Stud 37, 38	150973	Pallet, Dummy 54, 68, 72, 96	151657	Screw (6-40 x 1/4 Fil) 4, 5, 9, 11, 13, 17, 19, 20, 24, 33, 35, 36, 39, 42, 48, 49, 50, 59, 60, 77, 80, 91, 95, 107, 108
150750	Plate 33	150975	Cup, Dashpot 35	151658	Screw (6-40 x 5/16 Fil) 7, 11, 12, 15, 16, 17, 20, 21, 22, 31, 32, 35, 37, 39, 45, 49, 68, 77, 79, 89, 105, 106, 108
150751	Block, Guide 33	150978	Screw (6-40 x 1-1/8 Fil) 15, 39, 46, 90	151659	Screw (6-40 x 1/2 Fil) 49
150752	Stud 37	150986	Pawl Assembly, Spacing 35	151660	Screw (6-40 x 7/8 Fil) 73, 99, 103
150753	Roller 37	150987	Spacer (.090" Thk) 35	151661	Screw (6-40 x 1 Fil) 35
150754	Roller 37	150990	Washer, Felt 17, 18, 36, 39, 41	151667	Roller 41
150755	Stud 37	150991	Washer, Felt 19	151668	Roller 39, 41
150757	Arm 38, 115	150992	Stud 9	151669	Stud 41
150758	Pulley 37	150998	Spacer (.020" Thk) 21	151670	Bracket 41
150770	Bellcrank 35	151036	Screw, Shoulder (4-40) 113	151676	Shim (.010" Thk) 41
150771	Bellcrank 35	151073	Screw (4-40 x 5/32 Fil) 21, 81, 83, 95	151683	Box Assembly, Type (RE) 55
150776	Lever, Lock 37	151103	Spring 42, 43	151685	Screw (4-40 x 5/16 Fil) 17, 24, 26, 29, 31, 33, 35, 60, 71, 93
150777	Bail, Right 37	151152	Screw (4-40 x 3/16 Hex) 14, 33, 39, 40, 50, 52, 75, 85, 105, 106, 112	151686	Screw (4-40 x 3/8 Fil) 9, 35, 45, 91, 108
150780	Screw (6-40 Spl) 4, 103, 114	151182	Washer, Insulating 92	151687	Screw (4-40 x 7/16 Fil) 60, 92
150781	Stud 11, 13	151222	Washer, Felt 18, 39, 59	151688	Screw (4-40 x 5/8 Fil) 26, 45, 59, 77, 90, 98, 112
150796	Disk 31	151223	Screw, Shoulder (4-40) 25	151689	Screw (4-40 x 3/4 Fil) 9, 27, 62, 63, 91, 101
150798	Ratchet 31	151329	Switch, Sensitive .69, 74	151690	Screw (10-32 x 5/16 Fil) 26, 103
150800	Stud 33	151336	Oiler 42, 43	151691	Screw (10-32 x 3/8 Fil) 15, 90
150803	Spring, Flat 9	151346	Screw (6-40 x 3/8 Fil) 4, 11, 17, 18, 20, 21, 26, 31, 32, 35, 48, 91, 93, 96, 99, 101, 103, 111	151692	Screw (6-40 x 3/16 Fil) 4, 5, 9, 11, 13, 29, 33, 35, 36, 44, 48, 52, 59, 78, 79, 80, 82, 83, 113
150804	Finger, Right Paper 9	151354	Screw (2-56 x 15/32 Fil) 4, 74, 102, 113	151693	Screw (6-40 x 9/16 Fil) 26, 49, 68, 99
150805	Shim (.012" Thk) 33	151362	Wick, Felt 37	151695	Screw (6-40 x 5/8 Hex) 52
150806	Plate 33	151442	Screw (6-40 x 1/2 Hex) 4, 22, 40, 102, 110	151698	Spring, Torsion 34
150807	Oiler, Felt 33	151443	Eccentric 52	151700	Screw, Shoulder (6-40) 37
150809	Gear (32T) 21	151572	Washer, Lock 36	151701	Spring, Torsion 42
150811	Stud 24	151602	Plate 22, 24	151702	Nut (4-40 Hex) 58
150815	Bushing 9	151603	Spacer 24, 45	151703	Pin 9
150816	Lever 9	151604	Block, Guide 22, 24	151709	Arm 52
150821	Spacer (.156" Thk) 48	151606	Screw (10-32 x 1/4 Hex) 18, 35	151713	Spring, Torsion 13, 76
150824	Track 24	151607	Retainer, Spring 47	151714	Spring 42
150826	Guide, Left Paper 9	151610	Washer, Flat 26, 52, 80	151715	Spring 47
150827	Drum, Spring 31	151611	Bushing 52, 102	151721	Screw (6-40 x 3/4 Hex) 4, 17, 39, 92, 102, 110
150830	Bushing, Shoulder 26, 28	151612	Spacer 52	151722	Screw (6-40 x 3/16 Hex) 14, 29, 33, 45, 51, 71, 75, 80, 82, 93, 96, 98, 101, 103, 105, 109, 110
150831	Ring, Retaining 26, 28	151618	Screw (6-40 x 7/16 Fil) 4, 16, 31, 32, 45, 50, 68, 74, 78, 79, 83, 89, 102	151723	Screw (10-32 x 3/8 Hex) 35, 100
150833	Platen Assembly 21	151619	Bushing 31	151728	Spring 26, 27
150838	Ring, Retaining 31, 87	151625	Strip 37	151731	Screw (4-40 x 7/8 Fil) 21
150840	Bracket, Guide 9	151626	Terminal 45, 46, 109, 113	151732	Screw (4-40 x 11/32 Fil) 26, 74, 80
150841	Bearing 26, 28	151627	Rod 17, 83	151733	Screw (4-40 x 9/16 Fil) 27
150843	Plate, Hook 31	151629	Nut (6-40 Lug) 20, 29, 39, 77, 92, 103, 111	151734	Screw (4-40 x 3/8 Hex) 24
150889	Lever, Trip 30	151630	Screw (6-40 x 1/4 Hex) 11, 12, 14, 15, 20, 24, 26, 27, 33, 35, 37, 39, 42, 48, 50, 52, 69, 71, 90, 93, 97, 98, 106, 108, 110, 112	151736	Spring 26, 28
150891	Block 24	151631	Screw (6-40 x 5/16 Hex) 12, 31, 39, 45, 73, 76, 97, 98, 105, 106, 109, 114	151737	Screw (4-40 x 11/64 Hex) 26, 27, 89, 91
150895	Arm, Trip 29	151632	Screw (6-40 x 3/8 Hex) 14, 20, 22, 23, 24, 25, 26, 33, 40, 71, 72, 78, 80, 93, 97, 100	151738	Screw, Identification (4-40) 53
150900	Bail, Detent 4, 114	151637	Screw (4-40 x 1/4 Fil) 4, 12, 14, 16, 20, 21, 22, 25, 31, 35, 45, 48, 49, 58, 59, 68, 70, 72, 73, 74, 75, 76, 79, 89, 101, 105, 106	151739	Screw, Identification (6-40) 59
150902	Lever 6, 102	151640	Lever, Shoe, Release 27	151794	Washer, Spring 26, 28
150903	Block, Left Paper Spindle 17	151642	Screw (6-40 x 3/4 Fil) 16, 26, 27, 68, 84, 99, 103	151797	Cable 64
150904	Block, Right Paper Spindle 17	151644	Spring 22, 24	151799	Modification Kit 2, 73
150907	Spindle, Paper 17				
150909	Screw, Shoulder (6-40) 33				
150910	Latch, Right 73				
150911	Bushing, Shoulder 21				
150912	Screw, Shoulder (6-40) 21				
150913	Bail 13				
150915	Blade, Stripper 13, 58				
150923	Washer, Felt 29, 37, 52				
150926	Washer, Felt 12, 33				
150927	Oiler, Felt 33				
150929	Oiler, Felt 33				
150930	Washer, Felt 11				
150931	Spacer (.040" Thk) 28				
150932	Bushing, Shoulder 48, 49, 100				
150935	Latch 73				
150937	Lever 49				
150953	Slide Assembly 34, 115				
150961	Bushing, Eccentric 4, 20				
150963	Plate, Retaining 60				
150969	Spring, Torsion 4, 20				
150970	Bearing, Ball 26, 80				
150971	Cable 64				

NUMERICAL INDEX (Continued)

Part Number	Description and Page Number	Part Number	Description and Page Number	Part Number	Description and Page Number
151819	Jumper (3" Black) 45	152441	Washer, Flat 42, 92	152579	Track 33
151880	Nut (4-40 Hex) 24, 35, 71, 91, 93, 97, 109	152445	Spring, Compression 42	152580	Frame, Right Side 5
151930	Box Assembly, Type (RA) 55	152447	Shaft 27, 90	152582	Shaft 49
151931	Box Assembly, Type (RC) 55	152450	Cam, Selector 27	152583	Bearing, Sleeve 39
151937	Box Assembly, Type (RD) 55	152453	Clutch Asm, Selector Cam 27	152584	Lever 39
151938	Box Assembly, Type (RN) 55	152456	Holder, Wick 39	152585	Lever 39
151941	thru	152457	Wick, Felt 39	152586	Bracket 35, 95
151953	Pallet, Type 54	152458	Shield, Terminal 45, 47	152587	Drum, Spacing 32
152089	Latch 61, 104	152461	Bracket 45	152588	Arm 32
152121	Lever, Function 61, 104	152462	Latch, Right 45, 74, 79	152589	Clamp 22
152127	Clip 58	152463	Latch, Left 45, 74, 79	152590	Lever, Cutout 32
152129	Spring 52	152464	Insulator (.062" Thk) 45, 74	152591	Arm, Automatic CR & LF 32
152140	Bail 11	152466	Connector, Receptacle (20 Pt) 86	152592	Guide 33
152142	Lever Assembly 68	152467	Connector, Plug (20 Pt) 45, 79	152593	Housing, Bearing 24
152147	Bearing, Ball 24	152468	Cable W/Terminals 45	152595	Slide 33
152254	Wick, Felt 22, 24, 38	152501	Guide, Ribbon 25	152596	Slide, Shift 35
152255	Bar w/Retainer 50	152502	Modification Kit To provide a Type Box Alignment Adjustment 24, 25, 115	152598	Lever, Left 38
152256	Bar, Code 50	152503	Link 25	152599	Plate, Right 38
152257	Spring 50	152505	Stud 33	152606	Rail Assembly, Oscillating 33
152298	Lever, Function 61, 104	152507	Roller, Detent 33	152614	Track Assembly 33
152299	Lever, Function 61	152508	Bracket, Right 33	152616	Clutch Assembly, Function 28
152302	Modification Kit 2, 68	152509	Bracket, Left 33	152626	Bracket, Left 58
152303	Modification Kit 2, 69	152510	Lever, Detent 33	152627	Bracket, Right 58
152304	Modification Kit 2, 71, 72	152511	Guide 33	152629	Washer, Friction 48, 49, 105, 106
152312	Modification Kit 2, 76	152514	Bail 11	152630	Shaft, Ribbon Spool 48, 49
152315	Modification Kit 2, 73	152515	Lever, Space Trip 11, 12	152633	Plate, Mounting 60
152317	Modification Kit 2, 74	152516	Slide 11	152634	Washer, Flat 35, 85
152337	Modification Kit 2, 75	152517	Arm, Trip Lever 30, 84, 95	152635	Lever, Transfer (#1) 39
152340	Modification Kit 2, 77	152518	Bail 11	152636	Lever, Transfer (#2) 39
152345	Modification Kit 3, 78	152521	Slide 34	152637	Lever, Transfer (#3) 39
152348	Modification Kit 3, 85	152523	Spring 48, 49, 105, 106	152638	Lever, Transfer (#4) 39
152350	Modification Kit 3, 79	152524	Bracket 48, 49, 105, 106	152639	Lever, Transfer (#5) 39
152357	Stud 61	152525	Hub 48, 49, 105, 106	152640	Lever, Transfer (#C) 39
152359	Arm 11, 16, 68	152526	Plate, Right 48, 105	152641	Lever, Function 61, 68, 89, 96
152360	Sleeve 16, 68	152527	Plate, Left 49, 106	152642	Lever, Function 61, 72, 104
152400	Plate, Selector Mounting 42, 74	152528	Ratchet, Left Ribbon 49, 106	152643	Guide 58
152401	Guide 42	152529	Ratchet, Right Ribbon 48, 105	152644	Bracket 49
152402	Guide, Selector Lever 42	152536	Bail 37	152646	Lever, Left Reversing 49
152403	Bracket, Guide 42	152537	Clamp 26, 80	152647	Lever, Right Reversing 48, 105
152404	Bracket, Spring 42	152538	Plate, Front 35, 92, 95	162648	Stud 48
152406	Bracket, Spring 42	152539	Guide 9, 77, 78	152651	Plate, Guide 58, 59
152407	Lever, Spacing Lock 42	153541	Arm, Left 23	152652	Bar, Guide 58, 59
152409	Lever, Selecting 42	152542	Arm, Right 25	152653	Pawl, Function 61, 68, 72, 89, 96, 104
152410	Bail, Reset 42	152543	Link 18	152654	Plate, Guide 60
152411	Lever, Push 42	152545	Lever 11, 12	152655	Plate, Adjusting 60
152412	Link 42	152546	Bracket 39, 92	152656	Stud 60
152413	Bracket 47, 115	152547	Shaft 58, 59	152658	Plate 60
152415	Stud, Adjusting 45	152548	Bar, Shift 50	152659	Lever, Function 61
152420	Lamination, Magnet 45	152549	Bar, Code 51	152660	Plate, Spring 61, 68, 72, 89, 96, 104
152421	Bracket, Shield Mounting 45	152550	Clamp 22	152662	Shaft 39
152422	Armature 47, 115	152551	Bar, #4 & #5 Code 50	152663	Guide 39
152423	Bracket, Armature Stop Mounting 45	152552	Bar, #3 Code 50	152665	thru
152424	Plate, Stop 47, 115	152554	Bar, Auto LF & CR Code 51, 115	152704	Bar, Function 65, 66
152425	Post, Spring 45, 107	152555	Shaft 18	152708	Lever, Keyboard Lock 13, 79
152426	Nut, Self-Locking (6-40 Hex) 45	152559	Plate, Front Pallet Box 54	152711	Bracket 13
152427	Latch w/Hub 42	152560	Plate, Rear Pallet Box 115	152716	Bail 18
152429	Rack, Sector 42	152563	Bracket 11, 12	152717	Arm 28
152432	Arm, Stop 42	152569	Linkage 38, 115	152721	Bar, Code 51, 115
152434	Plate 44, 115	152570	Linkage 38, 115	152723	Spring 9
152435	Stud 44	152571	Spacer (.250" Thk) 49	152724	Spring 38
152436	Knob, Range Scale 42	152572	Bracket 14, 15, 50, 76, 109	152725	Spring 9
152437	Spacer (.125" Thk) 44	152573	Retainer 27	152726	Bushing 26, 29
152438	Bail, Stop Arm 42, 110	152574	Plate 50	152742	Box Assembly, Type (RG) 55
152439	Shaft 44, 115	152575	Bracket 50	152752	Box Assembly, Type (RH) 55
152440	Bushing 44	152576	Bracket 50		

NUMERICAL INDEX (Continued)

Part Number	Description and Page Number	Part Number	Description and Page Number	Part Number	Description and Page Number
152818	Lever, Left Detent 49	153193	Lever 16, 68	153326	Blade 18
152819	Lever, Right Detent 48	153194	Bail 16, 68	153335	Plate 37
152820	Lever, Left Feed 28	153195	Plate 68	153337	Bushing 77
152821	Lever, Right Feed 48	153196	Handwheel 16, 68, 70, 88, 89	153340	Spring, Left Torsion 37
152823	Bracket, Left 12, 49	153198	Gear (48T) 70, 88	153341	Spring, Right Torsion 37
152824	Bracket, Right 48	153199	Gear (51T) 70, 88	153342	Screw (6-40 x 15/16 Hex) 72
152826	Pin, Detent 48, 49, 105, 106	153200	Gear (54T) 70, 88	153343	Bushing, Eccentric 72
152827	Bracket, Left Spool 49	153201	Gear (57T) 70, 88	153345	Arm w/Stud 72
152828	Bracket, Right Spool 48	153202	Gear (60T) 70, 88	153346	Pawl 72
152831	Clip 4, 5	153203	Gear (66T) 70, 88	153347	Bracket 72
152832	Shaft 9, 77	153204	Gear (72T) 70, 88	153350	Shaft 72
152834	Spring, Torsion 48, 49	153205	Gear (78T) 70, 88	153351	Clip, Stop 72
152871	Spring 21	153206	Gear (84T) 70, 88	153352	Spring, Torsion 72
152881	Box Assembly, Type (RB) 55	153207	Gear (90T) 70, 88	153355	Bracket 72
152887	Screw (4-40 x 1/2 Hex) 26, 27, 28	153208	thru	153356	Arm 72
152888	Screw (4-40 x 7/16 Hex) 28	153217	Disk 70	153358	Bracket w/Stud 72
152889	Plate, Retaining 59	153217	Disk 70	153359	Arm, Slide 71
152890	Washer, Flat 35	153229	Bushing, Shoulder 80	153360	Stud 71, 93
152891	Spring 42, 50	153230	Bar, Line Feed 80	153361	Post 71, 93
152893	Screw (4-40 x 1/4 Hex) 11, 12, 14, 15, 16, 17, 22, 41, 42, 59, 68, 75, 94, 105, 106, 108, 109, 112	153231	Bar, Line Feed 80	153364	Lever W/Bushing 71, 93
152896	Cable 64	153233	Guide 80	153365	Arm, Cam 71, 93
152897	Guide, Bail Lever 44	153234	Lever 80	153367	Arm 29, 71, 93
152913	Modification Kit 77	153235	Plate 26, 80	153368	Bail, Follower 29, 71
152915	Modification Kit 3, 80	153236	Gear (42T) 26, 80	153375	Arm, Slide 71, 93
152917	Modification Kit 3, 95	153237	Arm 80	153377	Bracket w/Studs 71, 93
152927	Bushing 16, 68, 89	153239	Roller 80	153378	Plate w/Pin 71, 74
152937	Plate 16	153240	Retainer, Bearing 80	153379	Plate, Insulating 74
152938	Spacer (.125" Thk) 16, 68, 89	153241	Link 80	153380	Bracket 69, 74
152943	Screw, Special (10-32) 16, 68, 89	153242	Bracket 80	153382	Bail, Transfer 11, 12, 71
152985	Bail 16, 68	153254	Bracket 95	153383	Arm, Bail Extension 11, 71
153071	Slide 60	153255	Bail 11, 12, 95	153385	Plate 72
153073	Link 60	153256	Bracket 35, 94, 95	153386	Cable 74
153074	Link 60	153257	Bail 95	153387	Cable 69
153076	Bushing, Shoulder 77	153258	Bushing 95	153396	Plate 76
153077	Bellcrank 77	153259	Arm 95	153409	thru
153078	Bushing, Shoulder 77	153260	Plate 95	153435	Bar, Function 65, 66
153079	Bushing, Bearing 77	153261	Bushing, Threaded 95	153436	Bar, Function 65, 67
153080	Shaft 77	153262	Arm 95	153437	Bar, Function 65, 67
153081	Lever 77	153263	Arm, Stop 95	153438	Bar, Function 65, 66
153082	Lever 77	153267	Washer, Felt 80, 110	153440	Bar, Function 65, 66, 96
153083	Bracket 77	153287	Spring 80	153442	Screw (10-32 x 1/2 Hex) 17, 91, 92, 98
153084	Spacer (.260" Thk) 60	153288	Spring 95	153489	Detent 42
153139	Box Assembly, Type (RJ) 55	153291	Arm 59	153491	Plate 44, 115
153158	Plate, Nut 16, 69	153292	Plate 27	153508	Box Assembly, Type (RS) 55
153159	Cable Assembly 69, 98	153293	Spacer, Clutch 27	153510	Box Assembly, Type (RU) 55
153160	thru	153294	Cam 59	153513	Box Assembly, Type (RW) 55
153169	Bar, Function 65, 66	153295	Shaft 59	153514	Box Assembly, Type (RY) 55
153172	Spring 33	153296	Eccentric 27	153516	Box Assembly, Type (RZ) 55
153173	Plate, Clamp 33	153298	Bracket, Right 59	153518	Box Assembly, Type (WA) 56
153174	Link, Left 33	153299	Bracket, Left 59	153520	thru
153175	Link, Right 33	153300	Arm 27	153528	Bar, Function 65, 66
153180	Link, Right 33	153301	Arm 59	153529	Bar, Function 66
153181	Link, Left 33	153302	Blade, Stripper 59	153530	Plate 24, 25
153183	Slide 33, 115	153303	Slide, Stripper 59	153531	Plate, Adjusting 24
153184	Post 45	153304	Bushing, Shoulder 4, 102	153532	Screw, Adjusting (4-40) 24
153185	Gear (30T) 16, 68, 89	153305	Spring, Torsion 11	153534	Washer, Flat 7, 98
153186	Arm, Slide 68	153310	Bail 11	153538	Screw (6-40 x 7/16 Hex) 105, 110
153188	Screw, Shoulder (6-40) 16, 68	153311	Arm 11	153550	Link 17
153189	Spring, Compression 16, 68, 89	153312	Lever 4, 102	153553	Roller 17
153190	Arm 16, 68	153314	Bracket 11, 79	153554	Bracket w/Stud 19
153191	Pointer 16, 68, 89	153315	Bracket 50, 85	153558	Link 17
153192	Spring, Torsion 16, 68, 89	153317	Bracket 13, 115	153560	Shaft 19, 115
		153318	Shaft 59	153562	Shaft 19
		153319	Bar, Code 50, 85		
		153321	Bar, Code Tie 50, 75		
		153322	Guide 59, 77		
		153323	Ring, Spacer 27		

NUMERICAL INDEX (Continued)

Part Number	Description and Page Number	Part Number	Description and Page Number	Part Number	Description and Page Number
153563	Bracket 78	153721	Arm 81	154253	Stud 35
153564	Lever 78	153722	Arm 81	154290	Ring, "O" 20
153565	Pin 12, 78, 83	153751	thru	154310	Spring 31
153566	Bracket 12, 14, 75	153767	Platen, Rubber 20, 115, 116	154320	Finger, Left Paper 20
153569	Arm, Trip 14, 29, 97	153771	thru	154323	Cam, Eccentric 87
153570	Arm, Suppression 14, 75, 97	153787	Bracket, Guide 81	154324	Cam, Eccentric 87
153573	Bail 17, 19, 83, 115	153791	Shaft 20	154332	Shaft 48, 49
153574	Roller 19	153794	Plate, Adjusting 20, 112	154333	Roller 48, 49
153575	Wick, Felt 12	153795	Slide 60	154334	Modification Kit To Provide Increased Ribbon Height 48, 49
153576	Cam, Function 27	153799	Screw (4-40 x 21/64 Hex) 20	154335	Screw (6-40 x 9/32 Fil) 14
153577	Washer, Felt 17	153800	Cam 49	154349	Spring 43
153579	Bracket, Spring 19	153806	Spring 29	154354	Slide 33
153580	Cam 19	153810	Guide, Ribbon 24	154356	Bail, 24
153581	Handle 59	153815	Clutch Assembly, Function 27	154358	Hub Platen 20, 81, 82, 115
153582	Screw, Shoulder (6-40) 11	153817	Screw (4-40 x 3/8 Hex) 33, 35	154362	Spring, Contact 69, 101
153583	Lever, Trip 29	153819	Washer, Lock 50	154373	Shield, Oil 92
153584	Lever, Latch 29	153820	Frame, Printing Carriage 52	154380	Bracket w/Post 50, 75
153585	Clamp 19	153823	Collar 27	154389	Cam, Eccentric 35
153586	Guide 4	153824	Clamp 27	154394	Post, Spring 50
153587	Guide 5, 74	153830	Guide, Rear 111	154516	Ratchet 87
153588	Solenoid 12, 78, 83	153838	Shaft 59	154519	Lever, Latch 20
153592	Cable 64	153839	Screw (6-40 x 5/8 Hex) 17, 20, 24, 29, 45, 111	154536	thru
153593	Cable 64	153841	Screw (6-40 x 9/16 Hex) 22, 112	154549	Pallet, Type 54
153594	Cable Assembly 78	153883	Gear (33T) 26, 90	154613	Latch 61, 104
153596	Fork w/Post 60	153884	Gear (11T) 35, 90, 115	154614	Cam, Spacing 26, 71
153598	Pawl, Function 61	153894	Plate 71, 93	154616	Plate, Front Pallet Box 115
153600	Bracket, Spring 50, 75	153896	Bail, Latch 71, 93	154620	Wick, Lubricating 42
153601	Bushing, Shoulder 59	153897	Arm, Trip 71	154621	Retainer, Wick 42
153602	Plate 58	153899	Bracket, Guard 72	154622	Lubricator 42
153603	Nut (6-40 Spl) 51	153904	Modification Kit: To Provide Parts for Improved Range Sector Mounting 42, 115	154623	Ring, Retaining 31
153604	Pawl, Function 61	153906	Modification Kit To Add Trip Shaft Support Bracket 11	154624	Ring W/Roller 31
153605	Bracket 51	153910	Modification Kit 3, 77	154625	Ring 31, 115
153606	Slide, Blocking 59	153911	Modification Kit 3, 83, 84	154626	Ring 31, 85
153608	Fork 60	153912	Modification Kit 2, 76	154627	Drum, Spacing 31
153609	Roller 60	153914	Modification Kit To Add Universal Spacing Drum with Automatic Carriage Return and Line Feed 31	154638	Spring 50
153610	Spindle, Paper 77	153915	Modification Kit 104	154639	Slide 60
153611	Disk, Paper Spindle 77	153916	Modification Kit 104	154642	Slide 60
153615	Lever 77	153917	Modification Kit 104	154643	Box Assembly, Type (RV) 56
153634	Collar 9, 77	153918	Modification Kit 104	154645	Spacer 17
153643	Slide 60	153919	Modification Kit 3, 79	154646	Lever, Function 61
153644	Stud 60	153927	thru	154647	Lever, Function 61
153645	Plate, Guide 60	153936	Modification Kit 70	154649	Arm 79
153646	Bushing 60	153945	Modification Kit 3, 85	154650	Clip 50
153647	Plate 60	153946	Modification Kit To Add an Improved Oscillator Shift Knee Link Assembly 37, 115	154666	thru
153652	thru	153947	Modification Kit To Add an Improved Oscillator Shift Knee Link Assembly 33	154669	Shaft 59
153667	Guide, Form 81	153949	Modification Kit To Add an Improved Magnet Bracket 45	154670	Screw (6-40 Spl) 72, 94
153670	Lever, Function 61	153950	Modification Kit To Add Bracket to "O" Code Bar 85	154671	Bracket 72, 94
153676	Bail, Detent 20, 98	153975	Cable 64	154672	Bracket, Clip Stop 72
153678	Bracket W/Shaft 20, 107	154051	Screw, Shoulder (6-40) 68, 89	154673	Cable 4, 64
153682	Bracket, Right 20	154127	Nut (6-40 Hex) 7, 114	154688	Spring 17
153683	Bracket, Left 20, 81, 82			154691	Clip 59
153685	Arm w/Hub 20			154692	Clip 59
153686	Bearing, Right 20			154694	Disk, Clutch Cam 26, 27, 110
153687	Bearing, Left 20			154698	Wick, Felt 71, 93
153689	Gear (33T) 20			154723	Modification Kit To Provide Parts for Improved Range Sector Mounting 42, 115
153690	Gear (28T) 20			154727	Modification Kit 2, 74
153692	Gear (33T) 20			154742	Modification Kit 3, 70, 85, 88
153695	Pin 20			154743	Modification Kit 2, 73, 102
153696	Spring 20			154753	Modification Kit 3, 86
153697	Bracket 20			154755	Modification Kit 3, 56, 87
153698	Cam, Feed 20			154760	thru
153699	Cam, Feed 20			154769	Modification Kit 88
153700	Hub, Platen 20, 115				
153701	thru				
153717	Modification Kits 116				

NUMERICAL INDEX (Continued)

Part Number	Description and Page Number	Part Number	Description and Page Number	Part Number	Description and Page Number
154770	Modification Kit 3, 89	155296		155755	Sleeve, Insulating (11/64 ID x 5/8" Lg) 59
154771	Modification Kit 89	thru		155756	Nut (4-40 Spl) 68
154778	Modification Kit 3, 90, 91	155300	Bar, Function 65, 66	155757	Gear (28T) 68
154780	Modification Kit 2, 69	155306	thru	155758	Gear (66T) 70
154785	Modification Kit 3, 92	thru		155759	Gear (48T) 70
154789	Modification Kit To Provide Replacement Parts for the 153560 Shaft and Associated Parts 17, 115	155307	Bar, Function 65, 66	155763	Modification Kit 2, 68
154792	Modification Kit 3, 56, 87	155311	thru	155765	Modification Kit 70
154798	Modification Kit 3, 111	155315	Bar, Function 65, 66	155767	Slide 60
154872	Bracket 5, 74, 79	155326	thru	155784	Cable 64
154873	Connector, Receptacle (2 Pt) 86	155330	Bar, Function 65, 66	155788	Spring 92
155000	Cable 64	155336	thru	155789	Cable Assembly 92
155021	Plate 70	thru		155790	Contact Assembly 92
155037	Keylever Assembly 72	155340	Bar, Function 65, 66	155791	Link 92
155041	Plate 11	155366	thru	155792	Arm w/Stud 92
155042	Bracket 11	thru		155793	Bracket, Mounting 92
155044	Spacer 27	155370	Bar, Function 65, 67	155795	Insulator (.031" Thk) 92
155047	Disk 27	155432	thru	155796	Shaft 39, 92
155049	Cable 64	155479	Pallet, Type 56	155797	Arm, Contact 92
155051	Cable Assembly 3, 86	155483	Pallet, Type 56	155798	Block, Terminal 92
155053	Connector, Plug (12 Pt) 86	155497	Box Assembly, Type (XK) 55	155799	Terminal, Plate 92
155060	Slide, Stripper 59	155565	Arm, Right 20, 111	155852	Arm w/Link 87
155061	Blade, Stripper 59	155566	Arm, Left 20, 82, 111	155853	Ratchet 87
155066	Cable 64	155581	thru	155855	Pawl, Spacing 87
155067	Cable 64	155584	Spacer 73	155856	Pawl, Spacing 87
155068	Bracket 76	155586	Bracket 39	155857	Retainer 87
155069	Bracket 76	155587	Link w/Stud 39	155859	Screw (4-40 Spl) 86
155071	thru	155589	Plate w/Stud 39	155860	Screw (4-40 x 3/8 Rd) 86
155077	Shaft 59	155618	thru	155861	Washer, Lock 86
155081	Post, Spring 35	155673	Pallet, Type 57	155864	Shaft, Cam 17
155090	Lubricator Assembly 42	155693	Box Assembly, Type (WP) 57	155865	Stud 17
155091	Lever, Trip 95	155697	Box Assembly, Type (WV) 55	155868	thru
155096	Plate, Range Finder Mtg 42	155699	Box Assembly, Type (WX) 55	155870	Pallet, Type 53, 55
155099	Screw, Shoulder (6-40) 59	155701	Box Assembly, Type (WY) 55	155871	thru
155100	thru	155703	Box Assembly, Type (XA) 55	155876	Pallet, Type 53
155125	Bar, Function 65, 66	155704	Box Assembly, Type (XC) 55	155877	Pallet, Type 53, 55
155126	Bar, Function 65, 67	155705	Box Assembly, Type (XD) 56	155878	Pallet, Type 53, 55
155127	thru	155706	Box Assembly, Type (XE) 56	155879	Pallet, Type 53
155130	Bar, Function 65, 66	155707	Box Assembly, Type (XF) 56	155880	Pallet, Type 53
155131	Bar, Function 65, 67, 89	155708	Box Assembly, Type (XG) 55	155884	thru
155132	Bar, Function 65, 66	155709	Box Assembly, Type (XH) 57	155891	Pallet, Type 57
155133	Bar, Function 65, 67	155710	Box Assembly, Type (XJ) 55	155895	Finger, Left Paper 20, 111
155134	Bar, Function 65, 67, 68, 89	155713	Clip 61	155896	Finger, Right Paper 20, 111
155135	Bar, Function 65, 67, 72	155714	Bracket 69	155897	Finger, Right Paper 20, 111
155141	thru	155715	Stud 69	155913	Block, Contact 63
155145	Bar, Function 65, 67	155716	Plate w/Pin 93	155915	Plate, Contact 63
155159	Bar, Function 65, 66	155721	Contact Assembly 69	155916	Plate, Contact 63
155176	thru	155736	Lever, Function 61	155917	thru
155180	Bar, Function 65, 67	155737	Lever, Function 61	155925	Switch Assembly 63, 115
155191	thru	155738	Bail, Blocking 61	155933	Plate, Guide 60
155218	Bar, Function 65, 66	155749	Cable 64	155934	Plate 60
155219	Bar, Function 65, 66	155750	Sleeve, Insulating (3/32 ID x 1/2" Lg) 15, 59, 69, 90, 91, 98, 107, 113	155935	Fork w/Post 60
155246	Bar, Function 65, 67	155751	Sleeve, Insulating (1/8 ID x 1" Lg) 15, 45, 46, 59, 69, 78, 92, 106	155936	Fork w/Post 60
155247	Bar, Function 65, 67	155752	Sleeve, Insulating (5/64 ID x 1/2" Lg) 59	155937	Fork w/Post 60
155248	thru	155753	Sleeve, Insulating (1/8 ID x 1/2" Lg) 45, 59, 69	155938	Slide 60
155250	Bar, Function 65, 66	155754	Sleeve, Insulating (1/16 ID x 1/2" Lg) 59, 109	155939	Slide 60
155286	thru			155940	Slide 60
155290	Bar, Function 65, 66			155941	Slide 60
155294	Bar, Function 65, 66			155942	Slide 60
				155946	Slide 60
				155948	Slide 60
				155954	Switch, Sensitive 4, 102, 113
				156057	Washer, Flat 112

NUMERICAL INDEX (Continued)

Part Number	Description and Page Number	Part Number	Description and Page Number	Part Number	Description and Page Number
156093	Washer, Felt 21, 112	157241	Bracket, Roller 17	157723	Pallet, Type 55
156450	Screw (2-56 x 1/2 Fil) 16, 69	157243	Plate 60	157724	Pallet, Type 55
156501	Screw (6-40 x 7/32 Fil) 4, 36	157246	Bracket 59	157725	Pallet, Type 53
156536	Screw (4-40 x 1/8 Fil) 42	157247	Bar W/Post 59	157726	Pallet, Type 53, 55
156558	Washer, Felt 105, 106	157251	Arm w/Pin 73	157727	Pallet, Type 53, 55
156572	Washer, Felt 52	157252	Bushing 73	157728	Pallet, Type 53, 55
156574	Post, Spring 7	157253	Lever 73	157729	thru
156591	Washer, Felt 12	157254	Bracket 73	157779	Pallet, Type 56
156632	Screw (6-40 x 13/32 Hex) 31	157255	Block 73	157780	thru
156663	Bushing, Insulating 92	157257	Block, Left Paper Spindle 73	157788	Pallet, Type 53
156740	Screw (6-40 x 7/32 Hex) 97, 112	157258	Bar w/Post 59	157790	thru
156875	Screw (6-40 x 5/32 Fil) 112	157259	Relay 91	157792	Pallet, Type 55
156880	Jumper (2-3/8" Black) 46	157261	Shaft, Stop Arm 42, 115	157794	thru
156881	Jumper (1-1/2" Black) 46	157262	Bracket, Double Connector 74	157807	Pallet, Type 53
156971	Screw (2-56 x 3/4 Fil) 107	157263	Cable 91	157823	thru
157000	Box Assembly, Type (WB) 55	157264	Cable 91	157829	Pallet, Type 56
157001	Box Assembly, Type (WC) 55	157265	Cable 90	157843	Cam 90
157002	Box Assembly, Type (WD) 55	157269	Cable 64	157844	Plate, Spacer 90
157003	Box Assembly, Type (WE) 55	157271	Bracket 45	157845	Plate 90
157004	Box Assembly, Type (WF) 55	157272	Insulator (.062" Thk) 45, 74	157846	Spacer, Shoulder 90
157007	Box Assembly, Type (WG) 55	157273	Connector, Plug (35 Pt) 45, 64, 74	157847	Bracket, Spring 60
157009	Box Assembly, Type (WH) 55	157274	Clip 59	157849	Lever 60
157011	Box Assembly, Type (WJ) 55	157275	Clip, Spring 59	157850	Lever 60
157013	Box Assembly, Type (WK) 55	157286	Clamp, Platen 20	157851	Plate, Spring 60
157015	Box Assembly, Type (WL) 55	157289	Bar, Cross 9	157852	Arm 60
157017	Box Assembly, Type (WM) 55	157290	Bail, Pressure 9, 10, 115	157854	Plate 60
157018	Box Assembly, Type (WN) 55	157291	Guide, Rear Paper 9	157855	Plate, Guide 60
157030	Box Assembly, Type (WT) 55	157311	Wick, Felt 91	157856	Bracket 91
157031	Disk 84	157398	Bar W/Post 59	157857	Spring, Flat 91
157032	Disk 84	157505	Clutch Assembly, Spacing 26	157858	Extension, Armature 91
157033	Plate, Cam 84	157506	Clutch Assembly, Line Feed 26	157859	Shim (.006" Thk) 91
157034	Lever, Trip 84	157508	Modification Kit 3, 93, 94	157861	Lever, Start 91
157035	Lever, Trip 84	157509	Modification Kit 2, 75	157862	Bracket, Guide 91
157037	Spacer 84	157510	Modification Kit 3, 95	157863	Lever 91
157038	Plate, Mounting 83	157511	Modification Kit 3, 80	157865	Plate 15, 90
157039	Clip, Spring 83	157513	Modification Kit 68	157866	Bracket 15, 90
157040	Bracket 83	157514	Modification Kit 3, 100	157867	Screw, Pilot (4-40) 15, 90
157041	Bail 83	157530	Modification Kit 68, 89	157868	Armature 90
157042	Bracket 83	157600	thru	157869	Spacer (.824" Thk) 15, 90
157043	Bracket, Adjusting 83	157634	Pallet, Type 53	157870	Armature 90
157044	Link 83	157635	Pallet, Type 55	157871	Bracket 15, 90
157045	Cable 83	157636	Pallet, Type 55, 56	157873	Lever 90
157046	Bar 77	157637	thru	157875	Bracket 15, 90
157047	Lever 14, 75	157641	Pallet, Type 55	157876	Bracket 15, 90
157048	Lever 75	157642	Pallet, Type 53, 55, 56	157877	Bracket 15, 90
157049	Pin 14, 75	157643	thru	157884	Block, Contact 63
157070	thru	157649	Pallet, Type 55	157887	Arm, Contact (NO) 62, 63
157100	Switch Assembly 63, 115	157650	Pallet, Type 53, 55	157889	Spring, Contact (NO) 62, 63
157101	thru	157651	thru	157890	thru
157106	Cable 64	157657	Pallet, Type 55	157893	Plate, Contact 63
157151	Bracket 79	157658	Pallet, Type 53	157899	Arm, Contact (NC) 62, 63
157163	Spring, Compression 83	157659	Pallet, Type 55	157948	Keylever Assembly 68, 89
157164	Slide 60	157660	Pallet, Type 53, 55	157972	Bellcrank 35, 100
157191	Bar, Line Feed 85	157661	Pallet, Type 53	157973	Extension, Transfer 100
157192	Eccentric 85	157662	thru	157975	Cable 64
157193	Gear (44T) 85	157675	Pallet, Type 55	157979	Link, Toggle 49
157194	Retainer, Spring 45	157678	Pallet, Type 53, 55	157990	Bracket W/Bearing 11, 115
157198	Bail, Detent 85	157715	Pallet, Type 53	157991	Stud 11, 115
157200	Spring 61, 68, 72, 89	157716	Pallet, Type 53, 55	158186	Screw (4-40 x 7/32 Fil) 108
157205	Lever, Function 61	157717	Pallet, Type 55	158189	Washer, Felt 37
157206	Lever, Function 61	157718	Pallet, Type 55	158314	Bracket W/Stud 4, 102
157207	Lever, Function 61	157719	thru	158315	Follower, Bellcrank 4, 102
157237	Shield, Terminal 45	157722	Pallet, Type 53, 55	158316	Plate, Nut 4, 102
157238	Spring 53, 68, 72, 96, 115				
157240	Spring 61, 68, 72, 89, 96, 104				

NUMERICAL INDEX (Continued)

Part Number	Description and Page Number	Part Number	Description and Page Number	Part Number	Description and Page Number
158317	Insulator, Switch 4, 102, 113	160568	Contact Assembly 98	162573	Retainer 26
158318	Cable 102, 113	160569	Bracket 98	162605	Box Assembly, Type (YF) 55
158334	Spring, Tension 94	160572	Slide, Stripper 59	162636	thru
158335	Stud 35, 93	160573	Blade, Stripper 59	162640	Bar, Function 65, 66
158337	Plate w/Pin 94	160574	Arm w/Stud 89	162728	Arm 11, 89
158339	Arm w/Pin 93	160576	Slide, Stripper 59, 89	162729	Bar, Guide 11, 12, 16, 71, 79, 83, 89, 93, 95, 96
158340	Bracket, Stop 94	160577	Blade, Stripper 59, 89	162847	Modification Kit 68
158341	Plate, Stop 88, 94	160578	Sleeve, Pinion 89	163146	Modification Kit 3, 101, 109
158342	Arm 94	160584	Shield, Insulating 91	163147	Contact Assembly 101
158343	Bracket, Spring 94	160585	Shield, Insulating 91	163148	Shaft 101
158344	Nut, Shoulder (6-40) 93	160586	Spring, Contact 91	163150	Collar 101
158346	Lever W/Hub 93	160587	Spring, Contact 91	163152	Cam W/Stud 101
158347	Bracket 94	160588	Bracket, Contact 91	163153	Cam, Trip 101
158348	Bracket 94	160589	Contact Assembly 91	163157	Cam, Drive 101
158349	Arm, Slide 93	160650	Cable 64	163158	Bracket W/Hub 101
158351	Pawl W/Stud 93	160751	Pallet, Type 55	163159	Lever 101
158352	Bail, Trip 29	160755	Box Assembly, Type (XM) 56	163162	Cable 64
158353	Bail, Stop 29	160843	Spring 29	163180	Modification Kit 3, 93, 94
158354	Arm, Extension 29	160844	Box Assembly, Type (XN) 55	163181	Wheel, Horizontal Tab 94
158357	Wheel, Horizontal Tab 94	160886	Modification Kit 2, 76	163182	Bracket, Stop 94
158365	Blade, Reset 17	160937	Bail 76	163183	Modification Kit 3, 97
158447	Keylever Assembly 89	160938	Arm, Slide 76	163184	Bracket, Magnet 97
158485	Bracket, Left 111	160939	Post, Spring 76	163185	Armature 97
158486	Bracket, Right 111	160940	Post 76	163197	Pallet, Type 55
158487	Shaft 111	160999	Box Assembly, Type (XP) 56	163198	Pallet, Type 55
159181	Lubricator 43	161081	Box Assembly, Type (YG) 56	163250	Pin 14, 97
159184	Wick, Lubricating 43	161082	Cable 64	163254	Magnet Assembly 97
159185	Retainer, Wick 43	161134	Bracket, Spring 50	163271	Lever, Function 61
159204	Connector, Plug (2 Pt) 15	161138	Retainer 87	163292	Modification Kit 3, 56, 87
159334	Washer, Insulating 12	161140	Modification Kit 70	163294	Ratchet (8IT) 87
159341	Bearing, Ball 22, 27	161250	Gear (88T) 70, 88	163295	Box Assembly, Type (YC) 56
159356	Modification Kit To Replace Old Style Guide Bracket 20	161260	Disk 87	163308	thru
159362	Modification Kit 2, 73	161269	Arm, Slide (L.F.) 96	163314	Pallet, Type 56
159366	Modification Kit 3, 102	161270	Arm, Slide (Reverse L.F.) 96	163459	Gear (66T) 26
159395	Modification Kit 3, 56, 87	161271	Link 96	163503	Gear (26T) 26
159571	Stiffener 98	161272	Bracket W/Stud 96	163535	Modification Kit 3, 89, 98
159597	Washer, Flat 12	161273	Bracket W/Stud 96	163590	Gear (60T) 26
159752	thru	161278	Lever 96	163776	Stop 7
159787	Pallet, Type 57	161279	Spring, Torsion 96	163778	Stud 7
160180	Armature W/Extension 115	161280	Modification Kit 3, 96	163783	Lever W/Stud 7
160182	Bracket w/Button 46	161308	thru	163786	Bracket 7
160184	Plate, Stop 45, 115	161317	Pallet, Type 55	163787	Bail, Detent 7
160186	Bushing, Shoulder 46	161342	Lever, Start 42	163788	Bracket, Guide 7
160192	thru	161346	Washer, Felt 48, 49, 105, 106	163790	Frame, Right 7
160197	Switch Assembly 63, 115	161347	Washer, Felt 15, 17, 19, 35, 37, 38, 83	163791	Frame, Left 7
160198	thru	161362	Box Assembly, Type (XR) 56	163794	Lever w/Pin, Function 61
160220	Switch Assembly 63, 116	161363	Box Assembly, Type (XS) 56	163944	Lever, Function 61
160486	Bail 89	161364	Box Assembly, Type (XT) 56	163947	Modification Kit 3, 98
160490	Pawl 89	161365	Box Assembly, Type (XU) 56	163948	Gear (28T) 7, 98, 114
160491	Plate W/Stud 89	161366	thru	163949	Bushing 7, 80, 98, 114
160493	Plate, Adjusting 89	161377	Pallet, Type 56	163951	Gear w/Shaft (28T) 7, 98
160495	Plate W/Stud 89	161491	Pawl, Feed 87	163954	Handwheel 7, 98
160498	Plate, Mounting 89	161492	Pawl, Feed 87	163955	Arm W/Hub & Stud 98
160499	Lever, Blocking 89	161649	Lever, Function 61	163956	Lever 98
160500	Lever, Blocking 89	161686	Tool, Tine 65	163957	Lever 98, 114
160502	Slide, Form Out 89	161767	Modification Kit 70	163958	Washer, Flat 7, 98, 114
160503	Slide, Tab 89	161769	Box Assembly, Type (XW) 55	163959	Spring, Torsion 98, 114
160505	thru	162056	Box Assembly, Type (XZ) 56	163960	Bushing 7, 80, 98, 114
160514	Disk, Retaining 88	162058	Box Assembly, Type (YA) 57	163968	Cable 64
160523	Plate, Mounting 98	162059	Lever, Function 61	164218	Box Assembly, Type (YJ) 56
160527	thru	162298	Slide 60	164219	Arm W/Hub 7
160536	Spring 88	162284	Lever, Function 61	164220	Spring, Torsion 7
		162488	Modification Kit 39	164270	Modification Kit 3, 99
		162539	Box Assembly, Type (YB) 55	164311	Lever, Function 61

NUMERICAL INDEX (Continued)

Part Number	Description and Page Number	Part Number	Description and Page Number	Part Number	Description and Page Number
164313	Bracket 52	170118	Bracket 40	172723	Box Assembly, Type (YM) 55
164314	Plate 34	170119	Lever 40	172816	Cable w/Terminals 112
164316	Plate, Clamp 33, 115	170120	Lever 40	172909	Sprocket 112
164348	Box Assembly, Type (YK) 56	170121	Shaft 40	172911	Lever, Latch 112
164386	Bracket, Magnet 45, 110, 115	170122	Lever 40	172912	Ratchet 112
164476	Modification Kit 2, 69	170123	Bracket, Retaining 39	172915	Lever, Switch Actuating 112
164477	Cable 69	170124	Lubricator Assembly 43	172916	Pawl w/Bushing 112
164478	Contact Assembly 69	170125	Lever, Shoe Release 27	172918	Bar, Line Feed 112
164498	Box Assembly, Type (YL) 55	170128	Clutch Asm, Selector Cam 27	172921	Plate, Mounting 112
164572	Plate, Mounting 99	170133	Link 12	172922	Post, Upper Mounting 112
164573	Rod 99, 103	170134	Plate 12	172923	Post, Sprocket Mounting 112
164574	Bracket, Right 99	170135	Bracket 12	172924	Lever, Reset 112
164575	Bracket, Left 99	170136	Shaft 12	172926	Lever, Ratchet Release 112
164576	Rod 99	170137	Bail W/Post 12	173012	Insulator 112
164577	Bracket 99, 103	170139	Bail 12	173141	Lever, Function 61
164586	Box Assembly, Type (YE) 55	170140	Stud 12	173282	Bail W/Post 75
164594	Cable 64	170142	Arm, Suppression 29, 75	173283	Modification Kit 2, 75
164600	Holder, Paper 99	170143	Stud, Bearing 12	173284	Lever, Lock 37
164611	Guard 7	170144	Bail 12	173450	Cable w/Terminals 45
164740	Rack, Range Finder 110	170145	Cam 27	173698	Cable Assembly 45, 64
164743	Shaft 110	170146	Bail W/Hub 12	173715	Terminal, Plug Type 107
164958	Screw (4-40 x 1/2 Hex) 97	170164	Box Assembly, Type (TA) 55	173882	Stud 14, 97, 109
164960	Insulator (.015" Thk) 97	170194	Washer, Spring 27	173883	Bracket, Mounting 14, 97, 109
165217	Jumper (1-1/2" Green) 107	170198	Arm, Stop 43	173884	Plate, Mounting 109
170000	Frame, Right Side 5	170230	Knob 43	173885	Bracket, Mounting 109
170001	Housing, Bearing 24	170231	Guide, Upper 43	173886	Contact Assembly 109
170002	Bracket W/Bushing 12	170232	Guide, Lower 43	173887	Post, Pivot 109
170003	Post, Anchor 12	170233	Stud 43	173889	Post, Spring 109
170004	Bracket W/Bushing 12	170234	Bracket, Guide 43	173890	Pin, Stop 109
170018	Bushing 29	170235	Bracket, Spring 43	173891	Bellcrank 109
170019	Lever, Latch 29	170236	Lever 43	173892	Spring 109
170020	Lever, Trip 29	170237	Lever, Start 43	173902	Spring, Compression 109
170021	Arm, Clamp 29	170238	Bail, Reset 43	173903	Bracket 109
170022	Arm, Cam 29	170282	Nut (6-40 Hex) 36, 107	174043	Modification Kit 3, 108
170023	Bearing 40, 69	171671	Connector, Blue Insulated 109	174086	Box Assembly, Type (TB) 55
170024	Bracket 40	172181	Modification Kit 3, 100	174384	Guide 108
170025	Bracket W/Stud 40	172190	Bracket 100	174385	Bracket 108
170026	Bellcrank W/Bushing 40	172226	Rod, Copy Holder 100	174386	Knife 108
170027	Bellcrank 40	172500		174387	Finger, Paper 108
170028	Link 40	thru		174388	Lever W/Hub 108
170039	Bellcrank W/Posts 36	172530	Switch Assembly 62, 115	174389	Lever W/Hub 108
170042	Bail W/Bushing 12	172531		174390	Bracket W/Posts 108
170054	Arm W/Post 36	thru		174391	Screw, Shoulder (2-56) 108
170056	Plate W/Stud 36	172536	Switch Assembly 62, 116	174392	Armature 108
170057	Bearing 36	172538		174393	Bracket W/Posts 108
170058	Nut, Shoulder (10-32 Hex) 36	thru		174394	Yoke 108
170059	Pawl, Drive 36	172557	Switch Assembly 62, 116	174395	Bracket 108
170060	Plate, Guide 36	172558	Switch Assembly 62	174397	Bushing 108
170062	Bail 35	172559	Switch Assembly 62, 116	174398	Spring, Contact 108
170063	Lever 35	172560		174399	Spring, Contact 108
170064	Link, Drive 36	thru		174400	Contact Assembly 108
170066	Bar, Code 50	172590	Switch Assembly 62	174401	Insulator (.015" Thk) 108
170067	Washer, Spacing 27	172591	Spring, Contact Arm 62	174402	Spring, Compression 108
170071	Clutch Assembly, Code Bar 27	172593	Plate, Contact 62	174403	Strip, Terminal 108
170074	Arm 12	172594	Plate, Contact 62	174441	Lever w/Bushing 110
170075	Roller 12	172595	Plate, Contact 62	174442	Contact Assembly 110
170076	Pawl 12	172596	Plate, Contact 62	174444	Spring, Contact 110
170079	Arm W/Hub 37, 115	172597	Block, Contact 62	174445	Bracket, Contact Mounting 110
170080	Stud 31	172598	Cam, Eccentric 87	174446	Spring, Contact 110
170082	Cable W/Terminals 46	172599	Block, Contact 62	174447	Post 110
170110	Cam, Selector 27	172600		174448	Guard 110
170111	Shaft 27	thru		174449	Bracket 110
170112	Guide 40	172608	Switch Assembly 62, 115	174450	Cam 110
170113	Arm 40	172618	Plate, Contact 62	174452	Spacer (.085" Thk) 110
170115	Lever, Transfer (#7) 40	172619	Plate, Contact 62	174482	Lever 61
170116	Lever, Transfer (#0) 40	172620	Cam, Eccentric 87	174483	Lever 61
170117	Bracket 40	172632	Screw (4-40 x 3/16 Hex) 110	174484	Lever 61

NUMERICAL INDEX (Continued)

Part Number	Description and Page Number	Part Number	Description and Page Number	Part Number	Description and Page Number
174570	Switch 107	179224	Slide Assembly 33	192566	Link, Left Drive 37, 109
176181		179225	Bail W/Studs 37	192567	Link, Right Drive 37, 109
thru		179226	Screw, Shoulder (4-40) 33	192575	Link, Right 33
176197	Modification Kit 81, 116	179235	Bracket, Right Mounting 103	192576	Link, Left 33
176221		179236	Bracket, Left Mounting 103	192580	Cam 27
thru		179237	Clamp, Left 103	192610	Arm, Slide 76
176237	Platen, Rubber 81, 82, 115, 116	179238	Clamp, Right 103	192704	Disk, Retaining 88
176238	Platen, Rubber 81	179239	Bracket, Right Mounting 103	192706	Modification Kit 88
176246	Bail, Blocking 61	179240	Bracket, Left Mounting 103	192707	Bail Assembly, Function 17
176247	Bail, Block 61	179241	Rack, Copy Display 103	192985	Spring, Contact 98
176285	Bail, Pressure 111	179301	Plate, Paper Guide 103	192986	Spring, Contact 98
176299	Screw, Shoulder (6-40) 97, 109	179309	Finger, Left Paper 103	192988	Spring, Contact 98
176420	Modification Kit 3, 110	179310	Finger, Right Paper 103	192997	Bracket 106
176471	Cable W/Terminals 108	179366	Shaft 103	193564	Spring, Contact 101
176472	Cable W/Terminals 108	179368	Roller, Paper Guide 103	193578	Box Assembly, Type (YZ) 55
176477	Plate 111	179369	Modification Kit 3, 103	193655	Lever, Function 61
176569	Modification Kit 89	179377	Post 103	193803	Box Assembly, Type (AB) 57
176598	Bellcrank 80	179396	Plate, Front Type Box 53	193858	Frame, Left Side 4
176642	Clip, Spring 59	179397	Plate, Rear Type Box 53	194018	
176651	Box Assembly, Type (YP) 55	179451	Plate, Right 37	thru	
176695	Cable 69	179452	Plate, Left 37	194021	Pallet, Type 57
176704	Spring, Torsion 76	179666	Box Assembly, Type (YW) 55	194026	Box Assembly, Type (AC) 57
176821	Modification Kit 2, 69	179675	Bracket, 106	194027	Box Assembly, Type (AD) 57
176909	Frame, Left Side 8	179676	Lever Left Guide 106	194035	
176910	Frame, Right Side 8	179677	Shaft, Ribbon Spool 105, 106	thru	
176911		179678	Lever 105, 106	194039	Pallet, Type 57
thru		179680	Bail, Left Lifter 106	194052	Plate, Form Stop 88
176914	Guide W/Pins, Paper 82	179681	Post 105, 106	194054	Modification Kit 53, 115
176918	Shaft 27	179682	Bail, Left Roller 106	194092	Modification Kit 3, 112
177044	Template 98, 114	179684	Lever 105, 106	194093	Modification Kit 2, 76
177081	Gear (68T) 16	179686	Bracket, Right 105	194324	Modification Kit 3, 102, 113
177082	Disk 16	179687	Lever, Right Guide 105	194325	Bracket w/Post 113
177083	Yoke 14	179689	Bracket, Left 106	194326	Bracket, Switch 113
177084	Lever 16	179690	Plate 106	194327	Lever 113
177089	Box Assembly, Type (YR) 55	179691	Bracket, Left 106	194371	Guide 113
178141	Modification Kit 2, 69	179692	Spacer 105, 106	194414	Lever 61
178185	Bracket W/Studs 16	179693	Bail, Right Lifter 105	194929	Box Assembly, Type (AE) 57
178187	Disk 16	179694	Bail, Right Roller 105	194995	Modification Kit 3, 107
178188	Lever 14	179695	Bracket, Left Magnet 106	194998	Plate, Mounting 107
178189	Armature 14	179696	Bracket, Left Hinge 106	194999	Cable Assembly 107
178190	Extension, Armature 14	179697	Lever, Left Stop 106	195000	Lever, Operating 107
178301	Modification Kit 3, 98	179698	Armature 105, 106	195001	Insulator (.032"Thk) 107
178302	Bracket, Mounting 98	179699	Shaft 105, 106	195009	Box Assembly, Type (AF) 57
178303	Guard, Contact Spring 98	179700	Bracket, Right Hinge 105	195016	Pawl Assembly 61
178304	Contact Assembly 98	179701	Lever, Right Stop 105	195054	Stud 12
178358	Modification Kit 14	179702	Bracket, Right Magnet 105	195061	Switch (DT-SP) 112
178359	Bracket 14	179703	Bracket 105	195062	Arm, Stop 112
178414	Connector, Receptacle (24 Pt) 109	179704	Shaft, Right 105	195109	Plate, Stop 59, 61
178551		179708	Plate, Adjusting 105	195150	Lever, Reversing 106
thru		179718	Cable 106	195218	Box Assembly, Type (AG) 55
178567	Guide, Form 82	179724	Modification Kit 3, 105, 106	195240	Post 46
178568		179782	Screw (6-40 x 7/8 Hex) 15	195251	Armature, Selector 45
thru		179802	Cover 101	195266	Modification Kit To Add Shaft and Retainer 59
178584	Modification Kit 82	179814	Box Assembly, Type (TD) 55	195461	Box Assembly, Type (AH) 57
178600	Cover 109	179873	Screw (3-48 x 5/8 Fil) 77	195486	
178607	Stud, Cam Follower 12	179989	Cable 98	thru	
178724	Box Assembly, Type (YS) 55	179994	Guard, Contact Spring 98	195488	Pallet, Type 57
178764	Gear (26T) 26	179999	Bail, Spring 105, 106	195593	Lever 7
178809	Box Assembly, Type (YT) 55	182909	Spring 43	195594	Lever 7
178852	Box Assembly, Type (YU) 57	192321	Stud 36	195634	Modification Kit 45
179057	Box Assembly, Type (YV) 56	192322	Spring, Compression 36	195855	Pin, Sprocket Feed 20
179088	Pallet, Type 55	192323	Spring 33	195980	Spring 61
179194	Bracket 89	192493	Spring 43	195986	Spring (6T) 26
179198	Lever 80	192518	Bar, Suppression Code 50	197713	Box Assembly, Type (AK) 55
179199	Lever 114	192560	Slide 36	197729	Disk 70
179216	Arm, Right Side 33	192561	Bar W/Hub 36	197730	Disk 70
179217	Arm, Left Side 33	192563	Bracket W/Stud 36		

NUMERICAL INDEX (Continued)

Part Number	Description and Page Number	Part Number	Description and Page Number	Part Number	Description and Page Number
197731	Gear (68T) 70, 88	199655	Bracket, Left 112	305035	Modification Kit 3, 20, 98, 114
197732	Gear (104T) 70, 88	199656	Guide, Left Paper 112	305036	Modification Kit 3, 21, 114
197733	Disk, Retaining 88	199657	Guide, Right Paper 112	305059	Guide, Form (9-1/2") 81
197734	Disk, Retaining 88	199898	Box Assembly, Type (AL) 57	305071	Gear (112T) 88
197735	Gear (44T) 70, 88	304360	Pawl, Check 112	305075	Disk, Retainer 88
197736	Gear (34T) 70, 88	304361	Ratchet 112	305079	Modification Kit 88
197737	Gear (40T) 70, 88	304374	Spring, Torsion 112	305541	Slide, Stripper 59
197840	Gear (31T) 70, 88	304395	Spring 33	305687	Stud 61
197847	Modification Kit 70	304396	Plate, Stop 7, 114	305769	Bracket 15
197848	Modification Kit 70	304463	Slide, Stripper 59	305771	Bracket, Guide 81
197849	Modification Kit 88	304464	Blade w/Stud 59	305773	Cable Assembly 15
197850	Modification Kit 88	304465	Blade, Stripper 59	305776	Armature 15
197957	Gear (34T) 114	304740	Head, Print Hammer 52	305778	Lever, Shift 15
197958	Gear w/Shaft (37T) 114	304772	thru	305779	Bellcrank 15
197996	Roller, Front 105, 106	304775	Guide, Paper 81	306058	Armature Assembly 15
197998	Cable 98	304778	Bail W/Wire 107	306755	Lever, Marking Lock 42
198394	Modification Kit 3, 109	304779	Bail W/Wire 107	307065	Modification Kit 3, 114
198655	Cable Assembly 109	304779	Bail W/Wire 107	307285	Plate, Mounting 112
198656	Cable Assembly 109	305028	Guide, Paper 81	307289	Lever 80, 114
199245	Modification Kit 3, 107	305031	Gear W/Shaft(28T) 7, 114	309529	Washer, Clamp 15
199518	Bar, Function 66	305033	Handwheel 7, 114	310733	Modification Kit 81
199519	Bar, Function 66	305034	Arm w/Hub 114	312991	Plate, Nut 112
199529	Cam, Restoring (33T) 112				



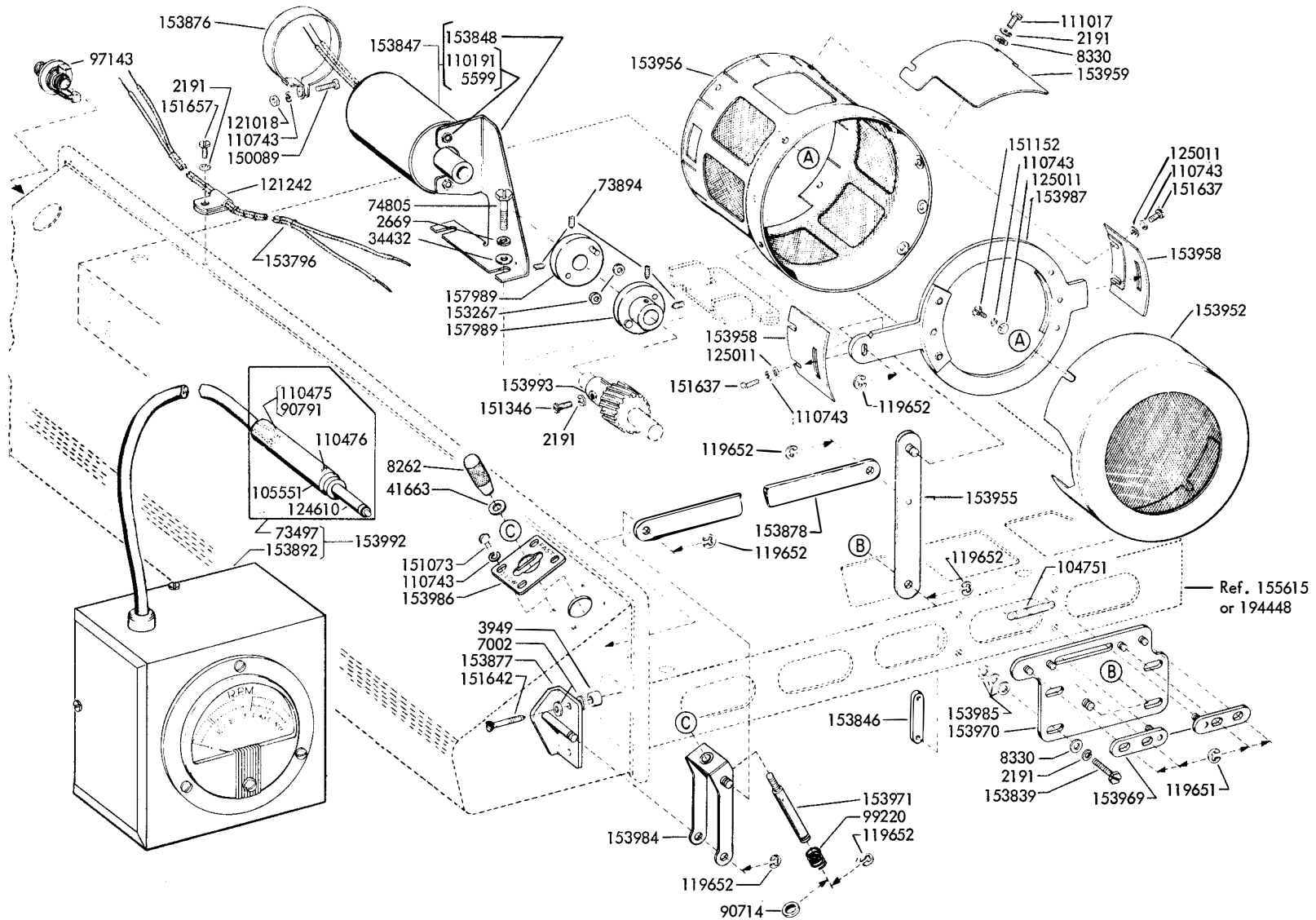
28 SEND-RECEIVE KEYBOARD (LK)
AND
28 RECEIVE-ONLY BASE (LB)
PARTS

SECTION 573-116-800TC

Figure	Contents	Page	Figure	Contents	Page
1	Keyboard or Base Mechanism (Mark II)	4	36	Keyboard or Base Mechanism (Wall Mounted)	33
2	Tachometer and Governor Adjustment Linkage	5	37	154224 and 164234 Intermediate Gear Assembly (Mark III)	34
3	Code Bar Mechanism (Mark II)	6	38	154151 Universal Bail Assembly (Mark III)	35
4	Function and Code Levers (Mark II)	7	39	154152 Ball Lock Bar Assembly (Mark III)	35
5	151890 Intermediate Gear Assembly - with Overload	8	40	Trip Lever Mechanism (Wall Mounted)	36
6	Intermediate Gear Mechanism	8	41	192550 Ball Lock Bar Assembly (Wall Mounted)	36
7	Carriage Return Mechanism (Mark II)	9	42	Keyboard Hood and Mounting Parts (Mark III)	37
8	Keyboard Lock and Local Line Feed Mechanism (Mark II)	9	43	Keyboard Top Plates (Mark III)	38
9	Keyboard Mechanism (Mark II)	10	44	Keyboard Mechanism (Wall Mounted)	39
10	Base Mechanism (Mark II)	11	45	Code Bar Mechanism (Mark III)	40
11	Receiving-only Base Covers (Mark II)	12	46	Signal Generator Frame Mechanism (Mark III)	41
12	Keylever Assemblies	13	47	Signal Generator Shaft Mechanism (Mark III)	42
13	Keylever Assemblies	14	48	Signal Generator Front Plate Mechanism (Mark III)	43
14	Signal Generator Mechanism (Mark II)	15	49	Signal Generator Rear Plate Mechanism (Mark III)	44
15	Signal Generator Mechanism (Mark II)	16	50	154165 (w/Arc Suppression), 154225 (w/RF Suppression-Neutral Transmission) and 162892 (w/RF Suppression - Polar Transmission and 305007 (Polar Transmission-w/Gold Plated Contacts) Contact Box Assemblies (Mark III)	45
16	Signal Generator Mechanism (Mark II)	17	51	174410 Contact Box Assembly w/RF Suppression and Shielded Signal Lines-Polar Transmission (Mark III)	46
17	Signal Generator Mechanism (Mark II)	18	52	163775 Modification Kit to Provide Repeat on Space Mechanism (Mark III)	47
18	152333 (Electrical) and 153902 (Mechanical) Modification Kits to Provide Signal Line Break Mechanism on Keyboard (Mark II)	19	53	Keyboard Cable Components	47
19	151887 Modification Kit to Provide Repeat on Space Mechanism (Mark II)	19	54	154147 Modification Kit to Provide Local Paper Feed-Out Motor Starting Mechanism (Mark III)	48
20	Gear Sets	20	55	154141 (Neutral Transmission) and 164494 (Polar Transmission) Modification Kits to Provide Electrical Signal Line Break Mechanism (Mark III)	48
21	152343 Modification Kit to Provide End-of-Line Switch (Mark II)	20	56	164005 (for Mark III) and 164077 (for Mark II) Modification Kits to Provide Universal Keyboard Switch	49
22	152334 Modification Kit to Provide Paper Feed-out Motor Starting Mechanism (Mark II)	21	57	162224 Modification Kit to Add Lock Bar Contact to Keyboard (Mark III)	49
23	152911 (Less Switch) 152344 (With Switch) Modification Kits to Provide Signal Line Break Mechanism on Base (Mark II)	21	58	154145 Modification Kit to Provide Local Reverse Line Feed Mechanism (Mark III)	50
24	152342 (Local-Remote) Switch (Base) 154681 (Print-Suppression) Modification Kits to Provide Switch on Base (Mark II)	22	59	154146 Modification Kit to Provide Local Back Space Mechanism (Mark III)	50
25	152338 Modification Kit to Provide Time Delay Mechanism on Keyboard or Base (Mark II)	23	60	154142 Modification Kit to Provide Keyboard with Time Delay Mechanism (Mark III)	51
26	152918 Modification Kit to Provide Local Back Space Mechanism on Keyboard (Mark II)	24	61	164660 (100 MA) and 194424 (50 MA) Modification Kits to Provide Synchronous Pulsed Transmission (Mark III)	52
27	152916 Modification Kit to Provide Local Reverse Line Feed Mechanism on Keyboard (Mark II)	25			
28	Auxiliary Cables for Keyboard or Base (Mark II)	26			
29	154783 Modification Kit to Equip a Keyboard with Off-Line Contacts	27			
30	154783 Modification Kit to Equip a Keyboard with Off-Line Contacts (Continued)	28			
31	158359 Modification Kit to Provide Busy Key Switch (Base)	29			
32	Function Bail Mechanism (Mark III)	29			
33	161435 Modification Kit to Provide Neutral & Inverse Transmission (Mark II)	30			
34	Keyboard Base Parts (Mark III)	31			
35	Keyboard Base for Remote Controlled Gear Shift Mechanism	32			

Figure	Contents	Page	Figure	Contents	Page
62	195415 Modification Kit to Provide a Three Speed Gear Shift (60, 67 and 100 WPM, 7.42 Unit Code)	53	65	162641 (Mark II) and 163359 (Mark III) Modification Kits to Provide Variable Speed Gear Shift Mechanism (60, 75 and 100 WPM, 7.42 Unit Code)	56
63	164926 and 146320 Modification Kits to Provide Paper Winding Facilities for Send-Receive and Receive-only Bases Mounted in an Apparatus Cabinet	54	66	Answer-Back Mechanism	57
64	Remote Controlled Shift Gear Mechanism (60 and 100 WPM, 7.42 Unit Code)	55	67	Answer-Back Mechanism (Continued)	58
			68	Answer-Back Mechanism (Continued)	59
			69	Coding Keyboard Answer-Back	60
				Drum Blade	61
				Numerical Index	61

FIGURE 2. TACHOMETER AND GOVERNOR ADJUSTMENT LINKAGE



SPECIFICATION 58195

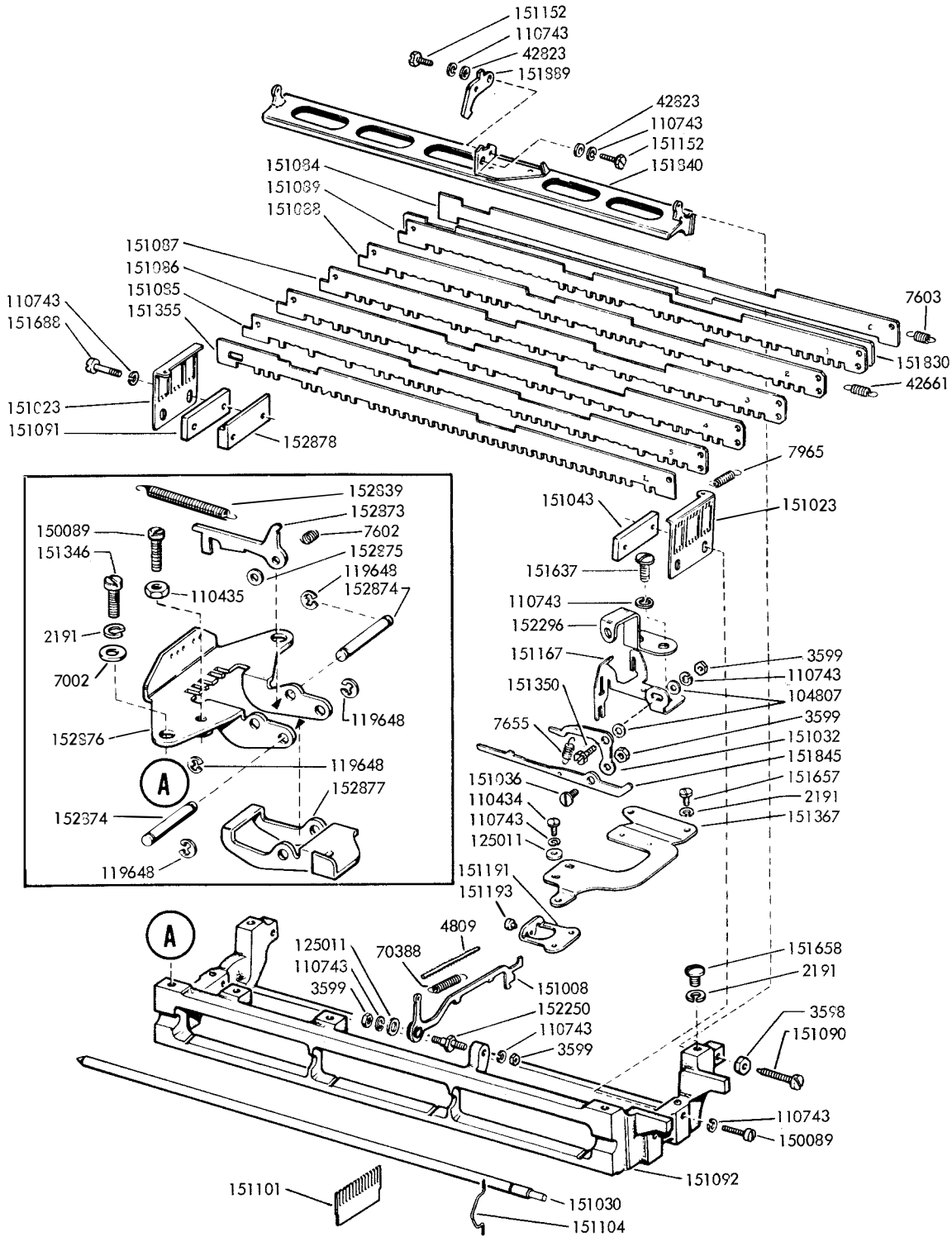
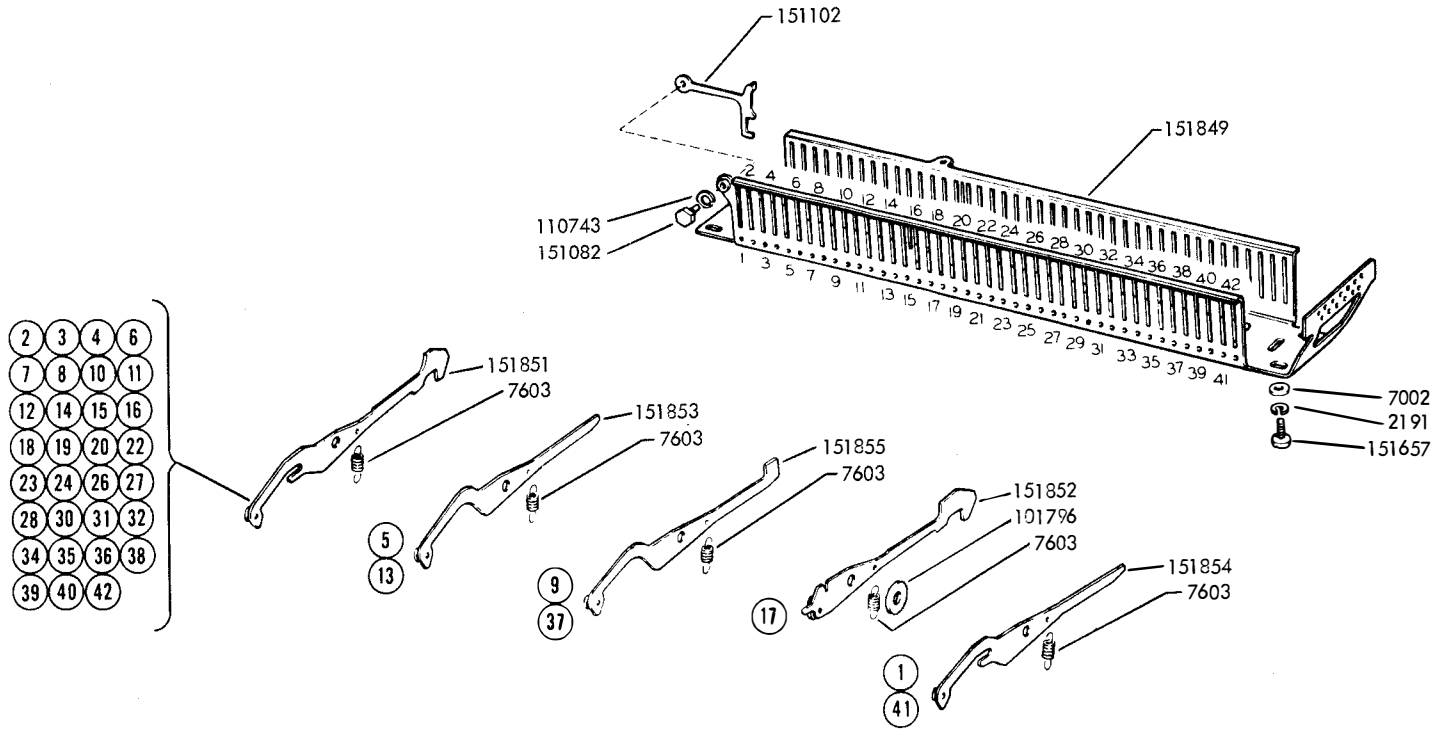


FIGURE 3. CODE BAR MECHANISM (MARK II)

FIGURE 4. FUNCTION AND CODE LEVERS (MARK II)



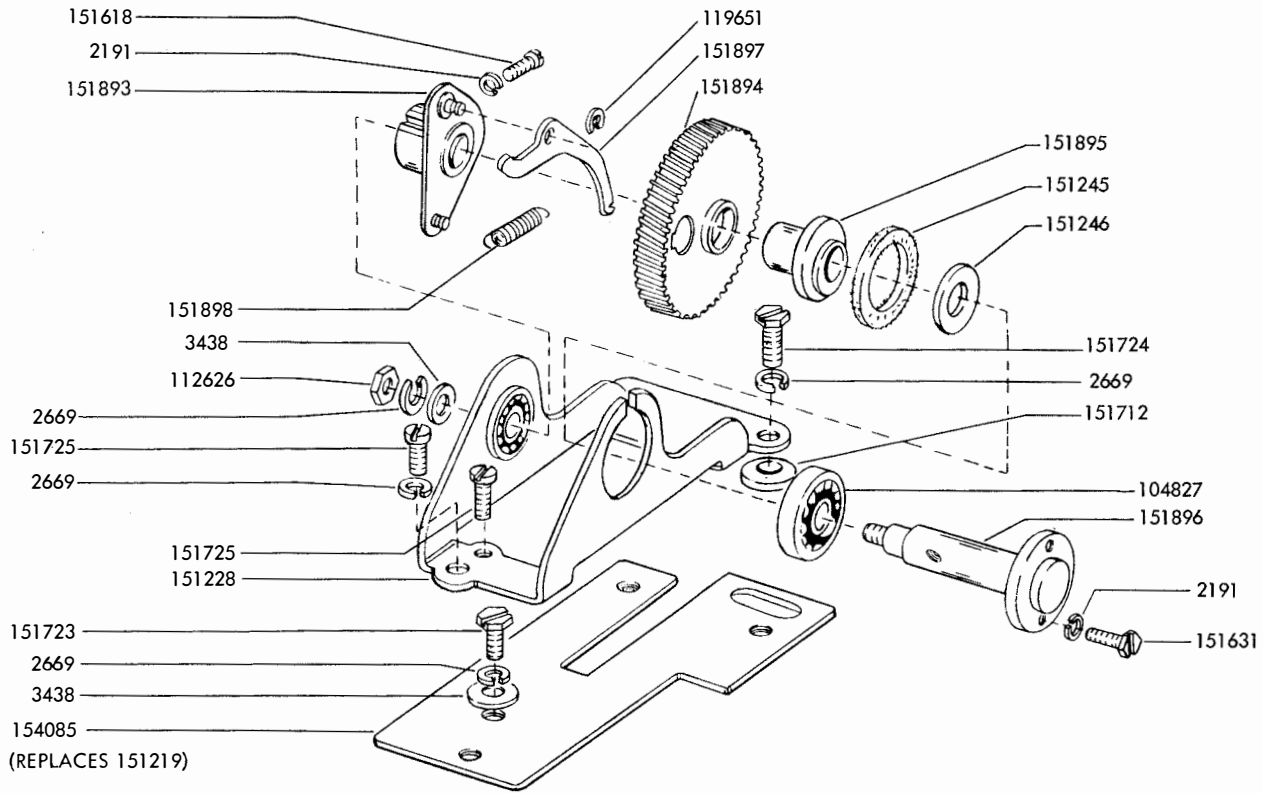


FIGURE 5. 151890 INTERMEDIATE GEAR ASSEMBLY - WITH OVERLOAD

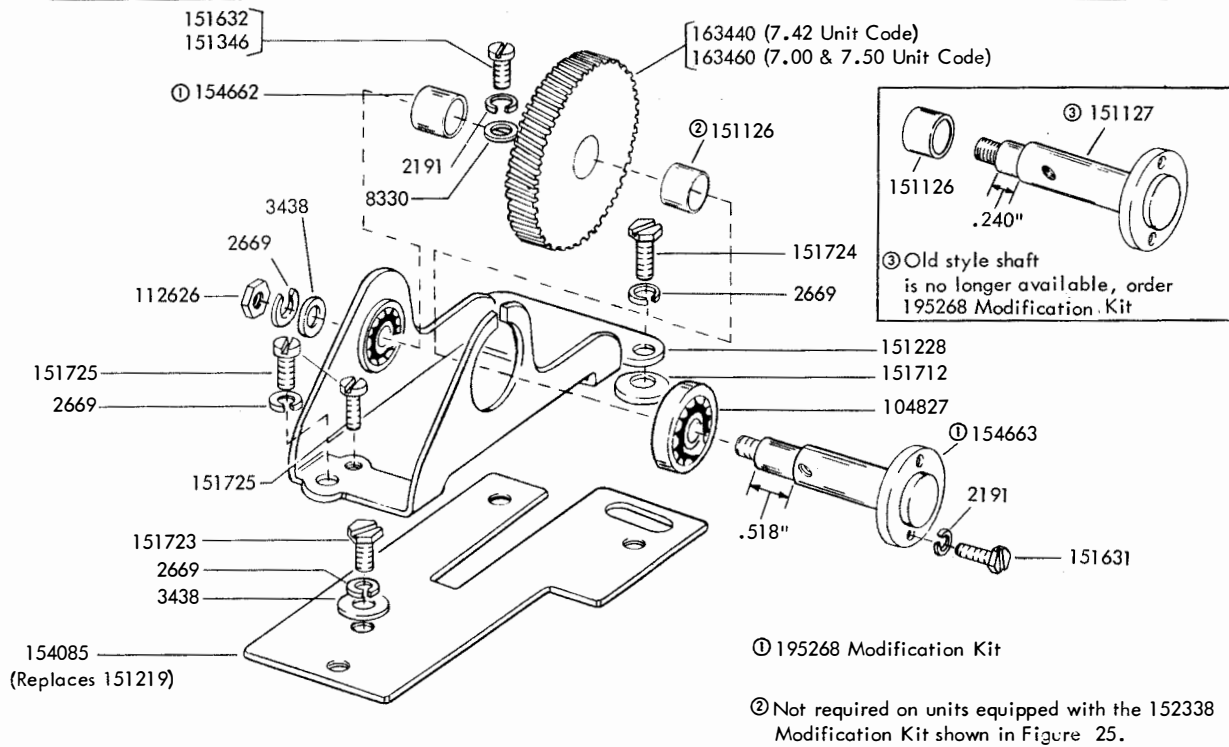


FIGURE 6. INTERMEDIATE GEAR MECHANISM

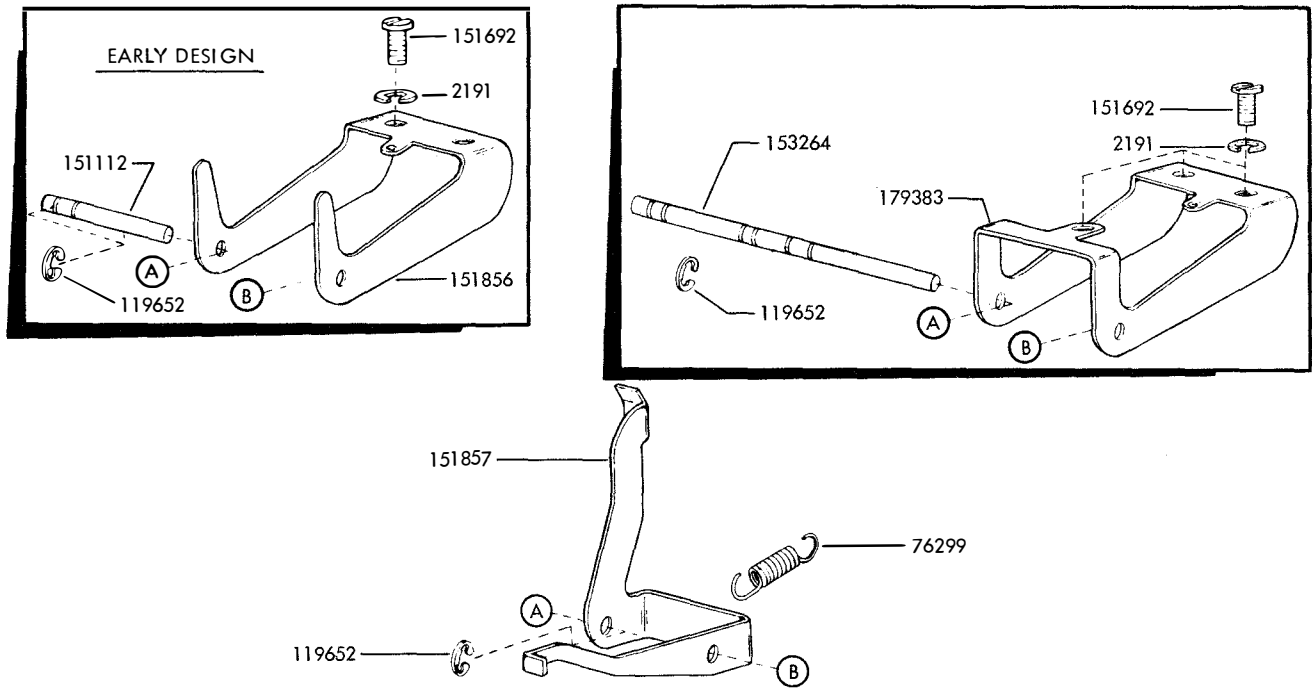


FIGURE 7. CARRIAGE RETURN MECHANISM (MARK II)

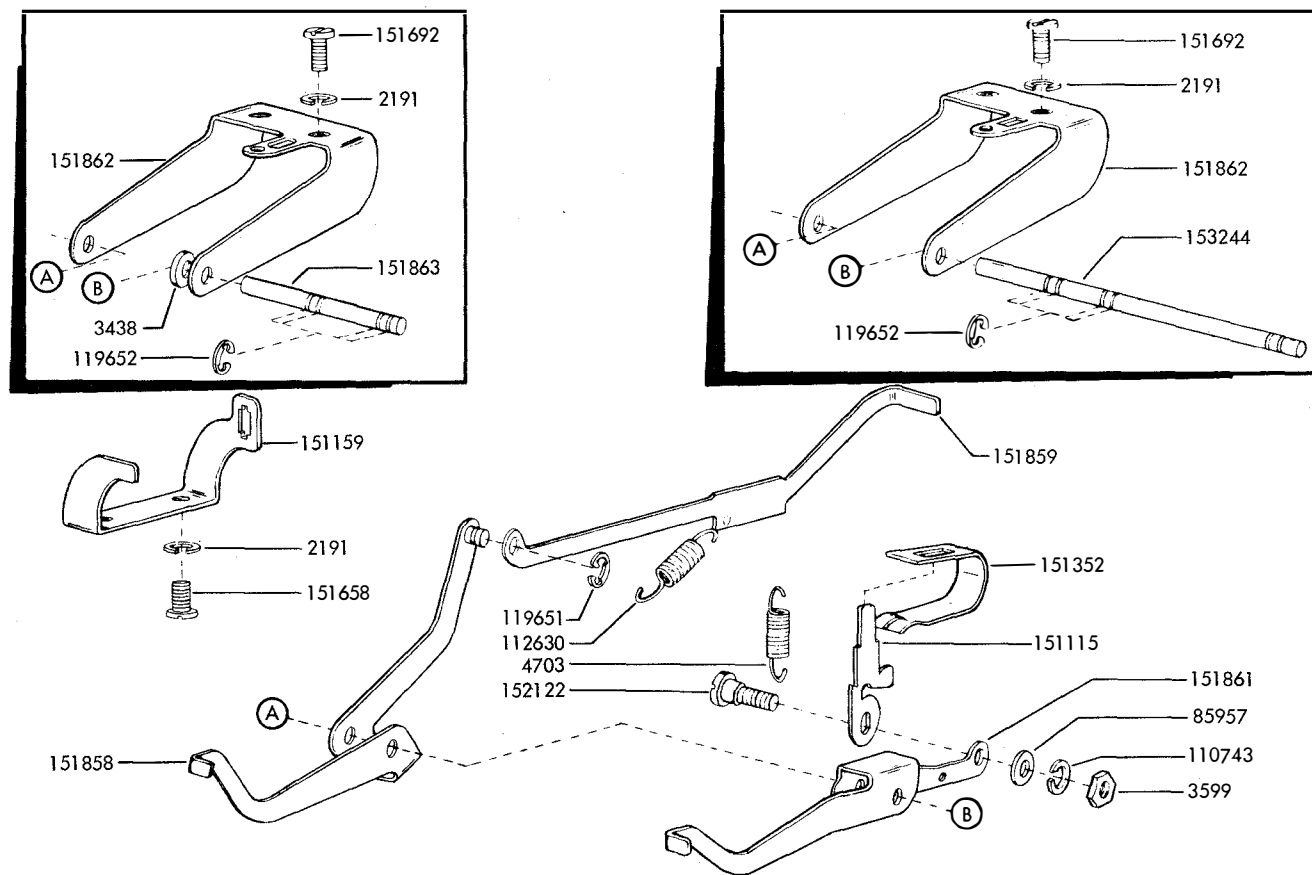


FIGURE 8. KEYBOARD LOCK AND LOCAL LINE FEED MECHANISM (MARK II)

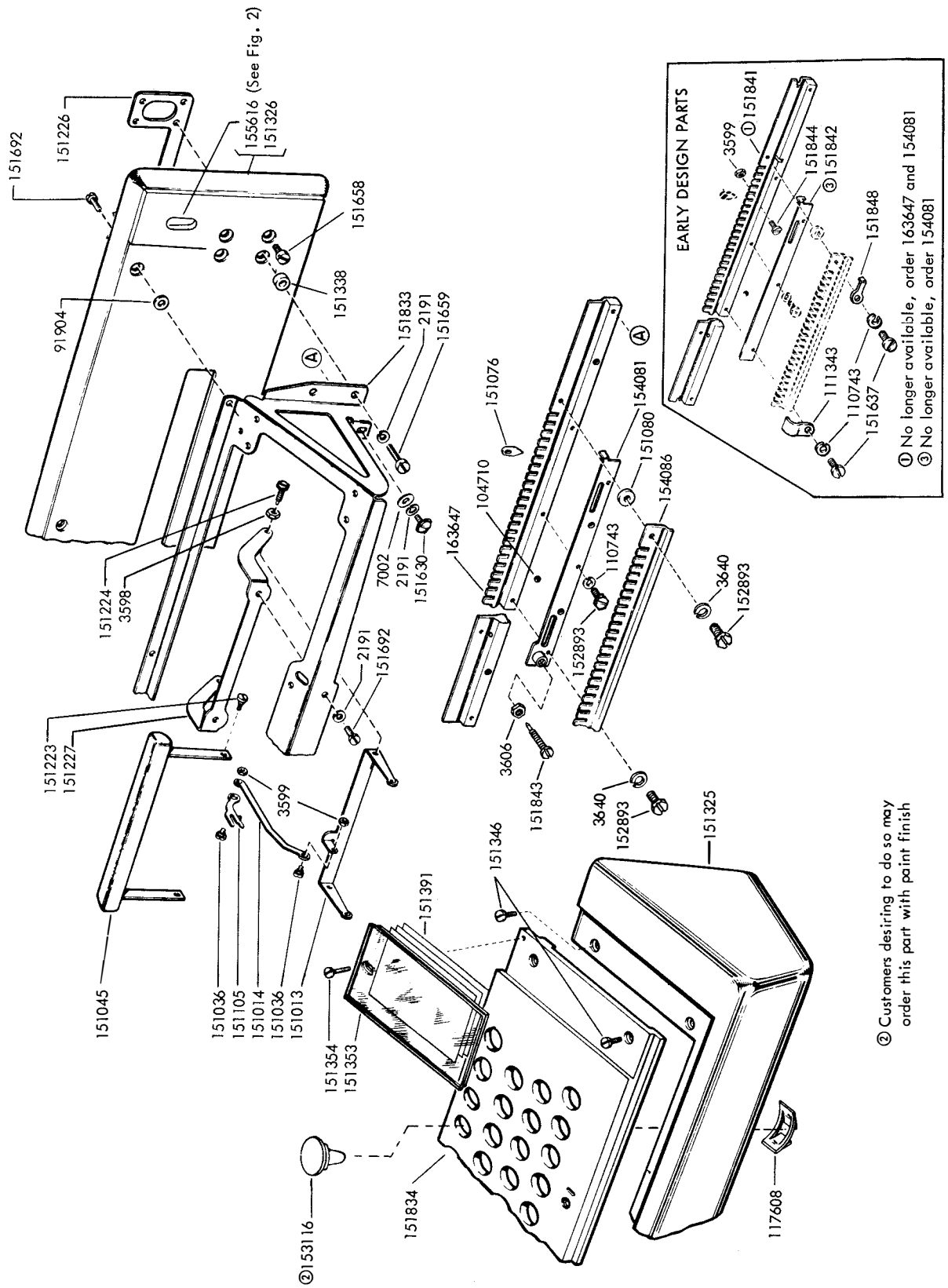
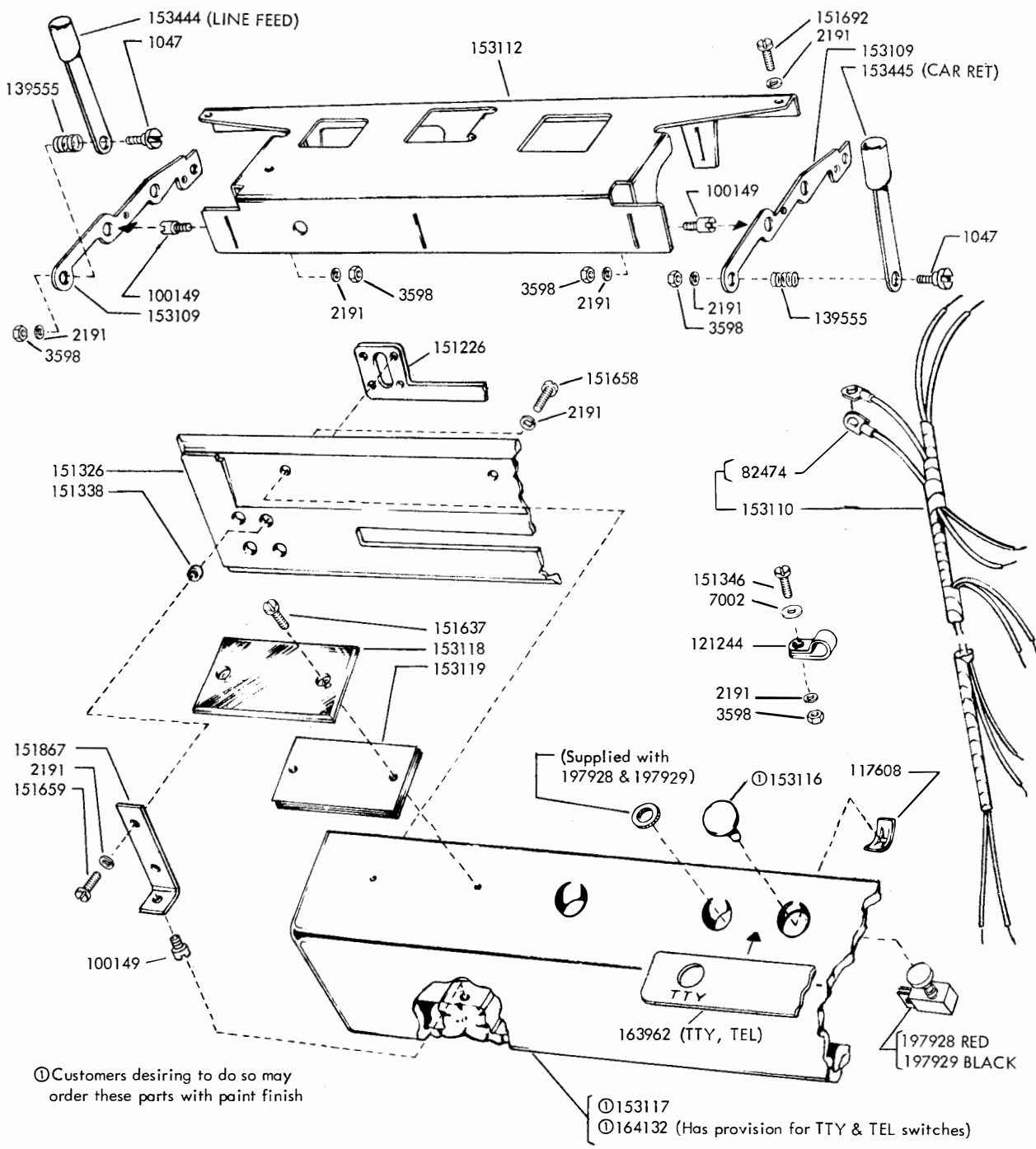


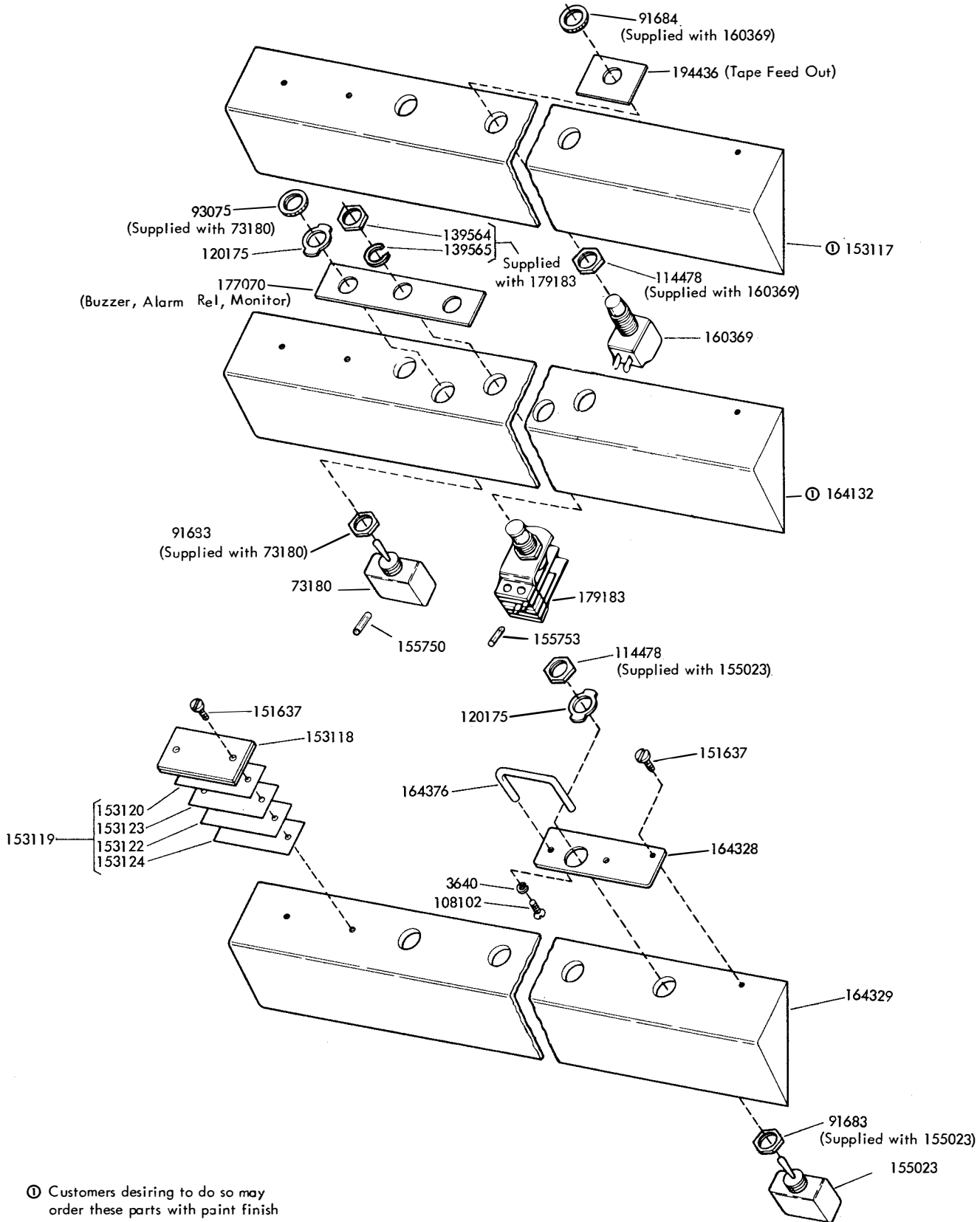
FIGURE 9. KEYBOARD MECHANISM (MARK II)



① Customers desiring to do so may order these parts with paint finish

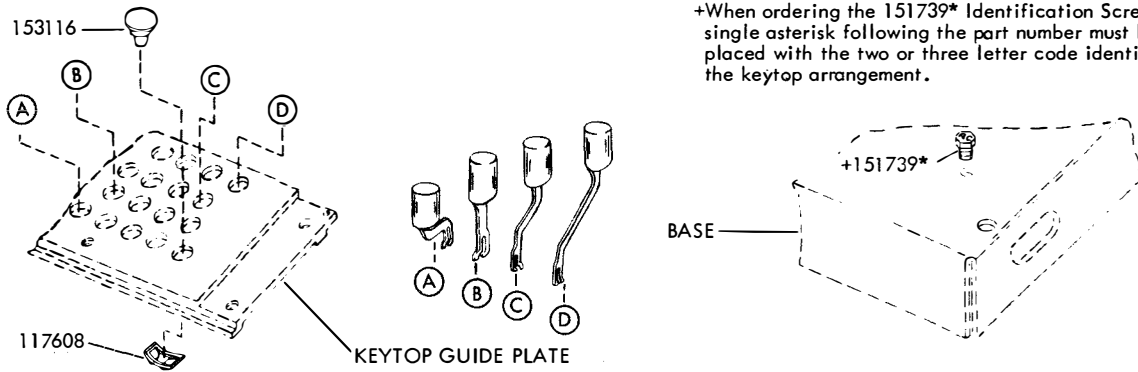
Also see Figure 11 for other variations.

FIGURE 10. BASE MECHANISM (MARK II)



Ⓢ Customers desiring to do so may order these parts with paint finish

FIGURE 11. RECEIVING-ONLY BASE COVERS (MARK II)



+When ordering the 151739* Identification Screw, the single asterisk following the part number must be replaced with the two or three letter code identifying the keytop arrangement.

KEYTOP DESCRIPTION	PART NUMBER	KEYTOP DESCRIPTION	PART NUMBER	KEYTOP DESCRIPTION	PART NUMBER	KEYTOP DESCRIPTION	PART NUMBER	KEYTOP DESCRIPTION	PART NUMBER
E 3	151294	Q 1	151292	W 2	151293	LTRS	151320	⓪KBD LOCK	151289
I 8	151299	R 4	151295	X /	151314	LINE FEED	151321	⓪BREAK	151290
M .	151319	S BELL	151303	Y 6	151297	⓪LOC LF	151286	⓪REPT	151291
O 9	151300	T 5	151296	CAR RET	151311	⓪LOC CR	151287	⓪SEND	164434
P 0	151901	U 7	151298	FIGS	151312	⓪KBD UNLK	151288	⓪RECEIVE	164435

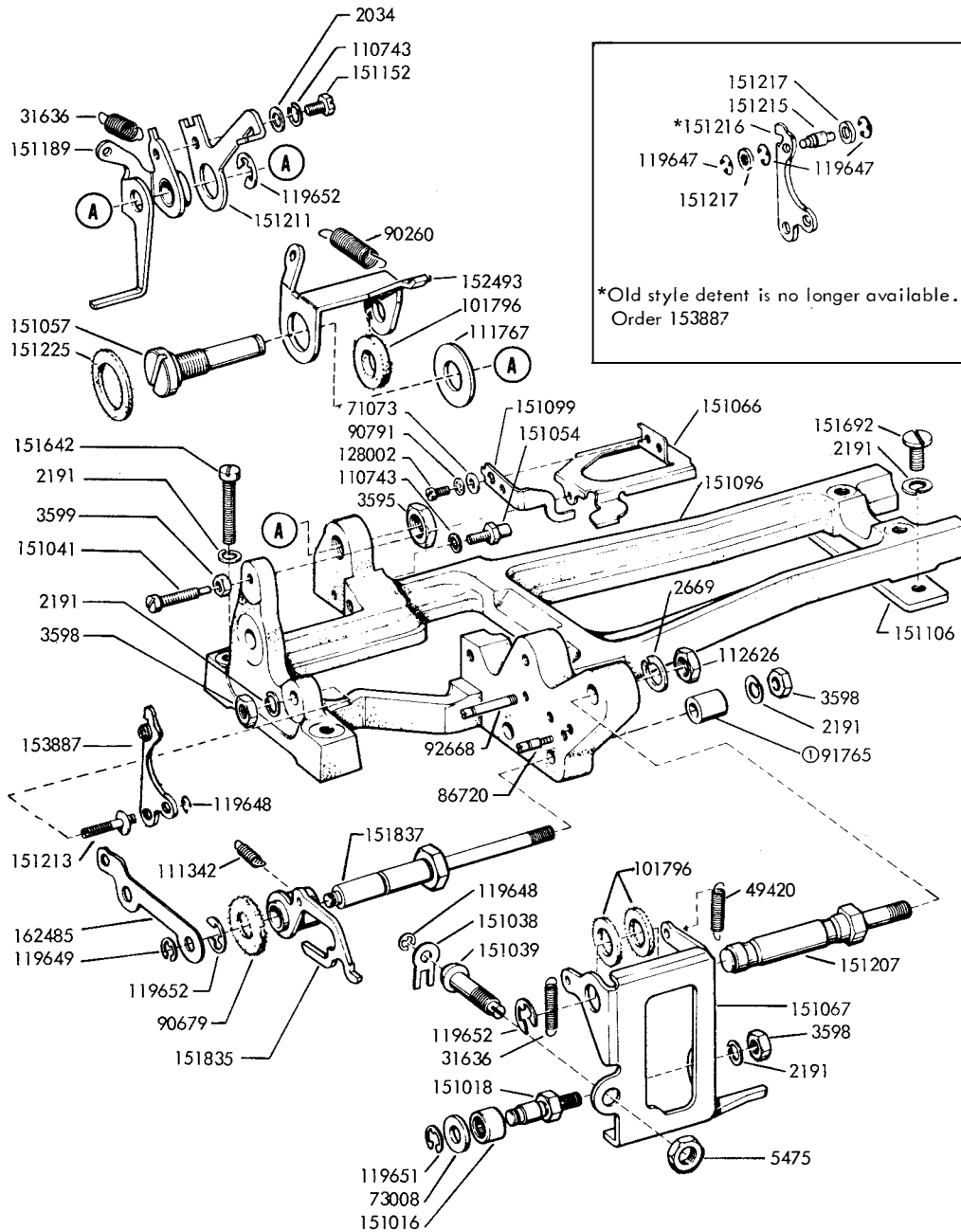
⓪RED KEYTOPS, ALL OTHER KEYTOPS ARE GRAY-GREEN, ALL CHARACTERS ARE WHITE

KEYLEVER ASSEMBLIES					KEYLEVER ASSEM. MOD. KITS					KEYLEVER ASSEMBLIES					KEYLEVER ASSEM. MOD. KITS				
KEYTOP DESCRIPTION	PART NUMBER	KEYTOP ARRANGEMENTS				151934 ARAtoARC	152904 ARCtoARD	152905 ARCtoARB	152906 ARCtoARA	KEYTOP DESCRIPTION	PART NUMBER	KEYTOP ARRANGEMENTS				151934 ARAtoARC	152904 ARCtoARD	152905 ARCtoARB	152906 ARCtoARA
		ARA	ARB	ARC	ARD							ARA	ARB	ARC	ARD				
A -	151302	X	X	X					J ↘	152010			X		X				
A ↑	152001				X	X			J ,	151904			X	X					
B ?	151317	X						X	K (151309	X						X		
B 5/8	151909		X	X		X			K 1/2	151905		X	X		X				
B ⊕	152002				X	X			K ←	152011				X	X				
C 1/8	151907		X	X		X			L)	151310	X						X		
C ○	152003				X	X			L 3/4	151906		X	X		X				
C :	151315	X						X	L ↖	152012				X	X				
D \$	151304	X	X	X					N 7/8	151910		X	X		X				
D ↗	152004				X	X			N ⊕	152013				X	X				
F !	151305	X						X	N ,	151318	X						X		
F 1/4	151902		X	X		X			V 3/8	151908		X	X		X				
F →	152005				X	X			V ⊕	152014				X	X				
G &	151306	X	X	X					V ;	151316	X						X		
G ↘	152006				X	X			Z "	151313	X	X	X						
H #	152009	X	X				X	X	Z +	152015				X	X				
H STOP	151903				X	X			-	151322				X	X				
H ↓	152008				X	X				152016				X	X				
J ▽	151308	X	X				X	X											

FIGURE 12. KEYLEVER ASSEMBLIES

KEYTOP DESCRIPTION	PART NUMBER	KEYTOP DESCRIPTION	PART NUMBER	KEYTOP DESCRIPTION	PART NUMBER
A #	154530	F 1/3	158435	N ▼	152138
A +	157329	G	157323	N OFF	155029
A	157365	G ON	154527	N n	157353
A ?	158418	G ▼	154532	N *	157357
A @	158438	G TAB	155037	N START	157942
B RUSH	152133	G ♂	157348	N %	157946
B OFF	152136	G TFO	157356	N &	157949
B	154525	G FO	157359	N @	157951
B %	155034	G £	157955	N +	157959
B &	157342	G :	158422	N -	157970
B *	157345	G OFF	158444	N ⊕	158412
B !	157354	G •	158454	N)	158427
B EJT	157334	H	151307	P ∅	151301
B ↓	157944	H +	152007	R TAB	158450
B DZ	157961	H £	157358	S ▼	152131
B @	158414	H OFF	154528	S	157367
B #	158417	H °	155026	S ∆	154535
B -	158419	H ?	157360	S ON	155030
B ¢	158434	H →	157968	S /	157328
B TAB	158443	H FO	158431	S s	157351
B ON	158452	H &	158440	S #	158439
C W-R-U	164457	J	152134	S STOP	158445
C	154523	J	157349	U 7	157327
C #	155035	J YIP	157362	V	154524
C 1/4	157321	J ∅	152017	V %	152139
C %	157339	J ¢	152018	V =	157325
C ON	157343	J BELL	152132	V *	155033
C c	157346	J x	154533	V #	155039
C 1/2	157945	J ON	155031	V ¢	157336
C ¢	157957	J 1/2	157320	V &	157361
C &	157964	J *	157340	V x	157943
C (158410	J %	157341	V ▼	157950
C +	158420	J YD	157958	V EA	157953
C O	158441	J Yd	157962	V °	157960
C ?	154531	J #	157965	V ⊕	157971
D	155038	J =	158423	V)	158411
D °	157322	J TAB	158447	V -	158415
D ⊕	157326	K	154521	V ,	158428
D OFF	157331	K &	157338	V ±	158442
D /	157355	K κ	157350	X #	154529
D &	157956	K NYC	157363	X	157332
D ∅	157967	K STOP	157941	X FO	158430
D :	158421	K ▼	158424	Z	152135
D BO	158448	K +	158453	Z TAB	155027
D TAB	158455	L	154522	Z ON	155028
E #	157940	L &	157947	Z OFF	155032
F	154520	L L	157966	Z %	157337
F %	152020	L .	158425	Z z	157352
F #	152130	L ?	158436	Z VERT	157344
F ¢	155025	L ATL	158449	Z FO	157948
F &	155036	L OFF	158451	Z !	158429
F 3/4	155040	L STOP	152019	Z *	158437
F f	157347	M #	157335	LOC RLF	153283
F CHI	157364	M %	157952	LOC B SP	153284
F n	157963	M	157366	.	152137
F TAB	158406	M #	157954	- \\	154534
F DATA	158408	M ∞	157969	BELL -	157330
F ▼▼	158409	M (158426	ON .	157333
F *	158413	M M	158432	.	158407
F F	158433	N	154526	, .	158416
				HERE IS	163852

FIGURE 13. KEYLEVER ASSEMBLIES



ⓐ TO BE DISCARDED WHEN 151887 REPEAT ON SPACE MODIFICATION KIT IS INSTALLED. SEE FIGURE 19.

FIGURE 14. SIGNAL GENERATOR MECHANISM (MARK II)

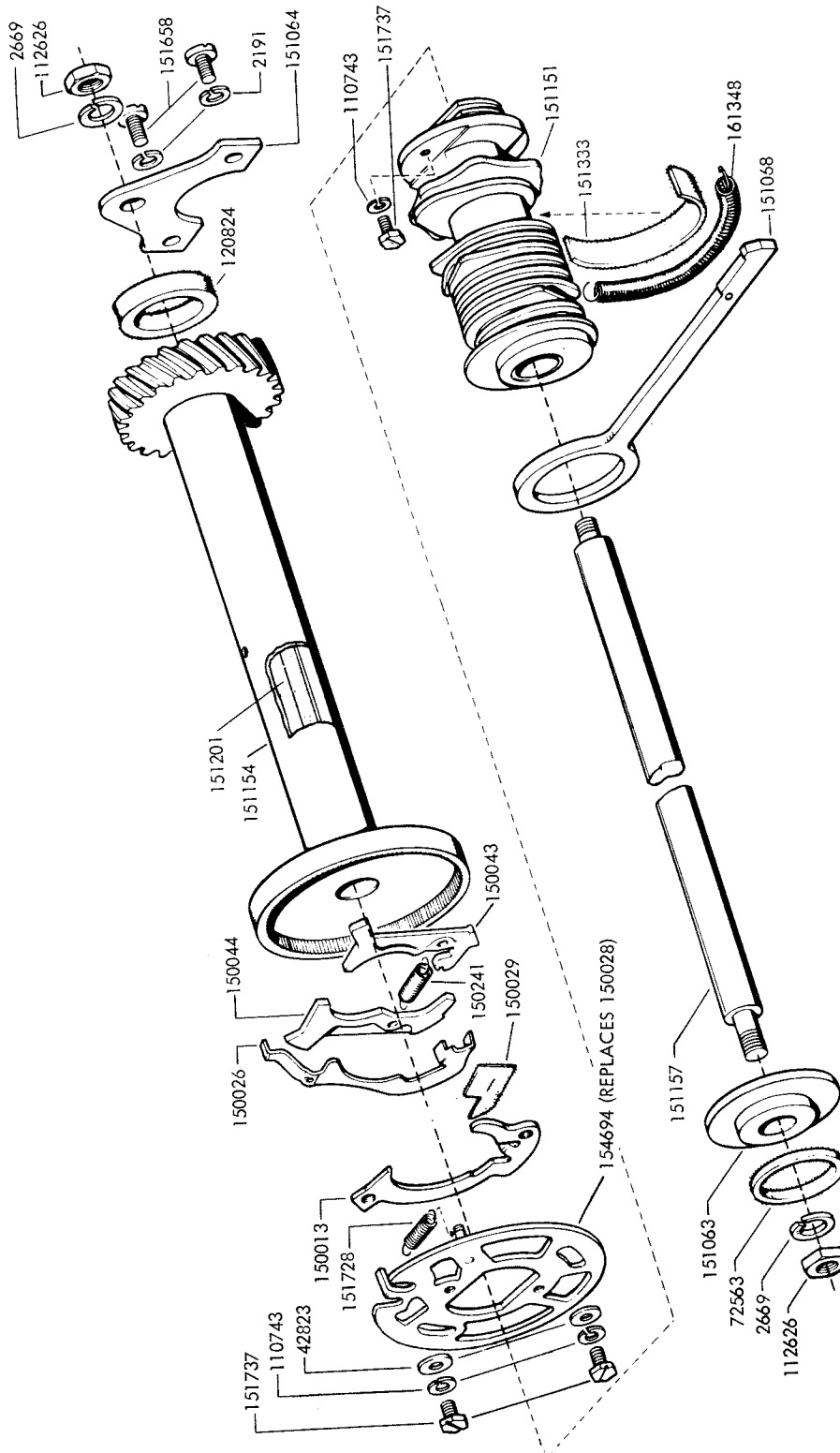


FIGURE 15. SIGNAL GENERATOR MECHANISM (MARK II)

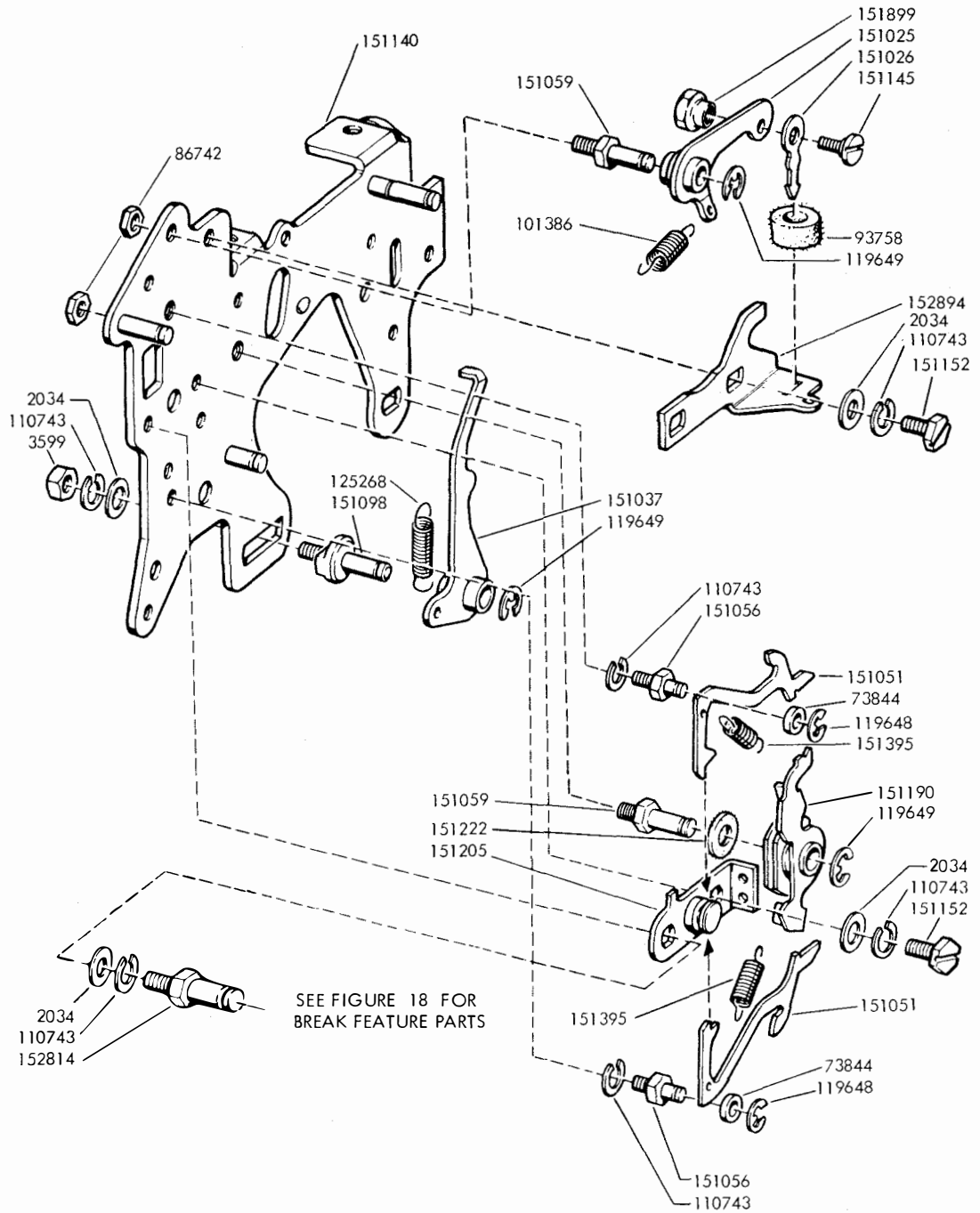


FIGURE 16. SIGNAL GENERATOR MECHANISM (MARK II)

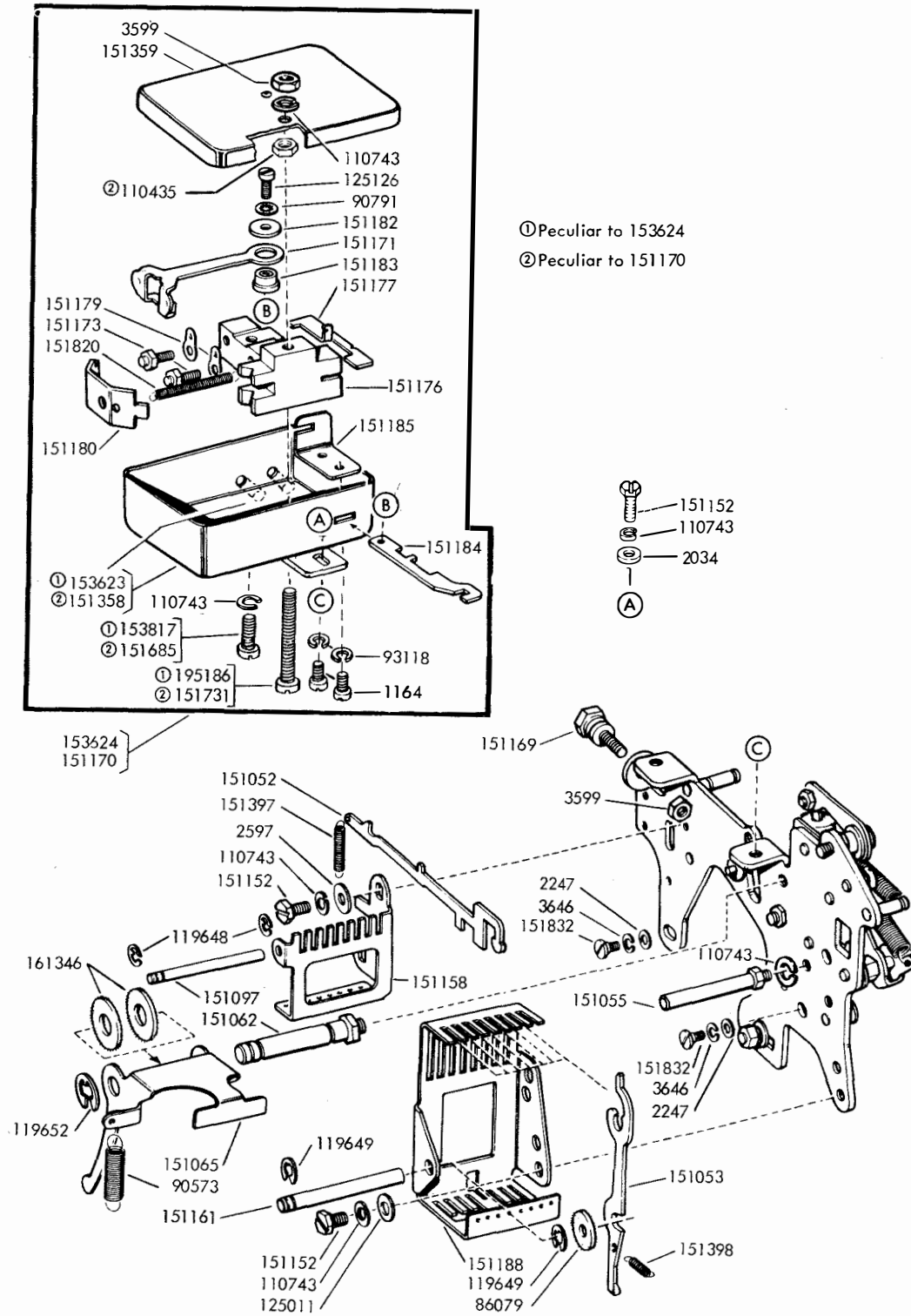


FIGURE 17. SIGNAL GENERATOR MECHANISM (MARK II)

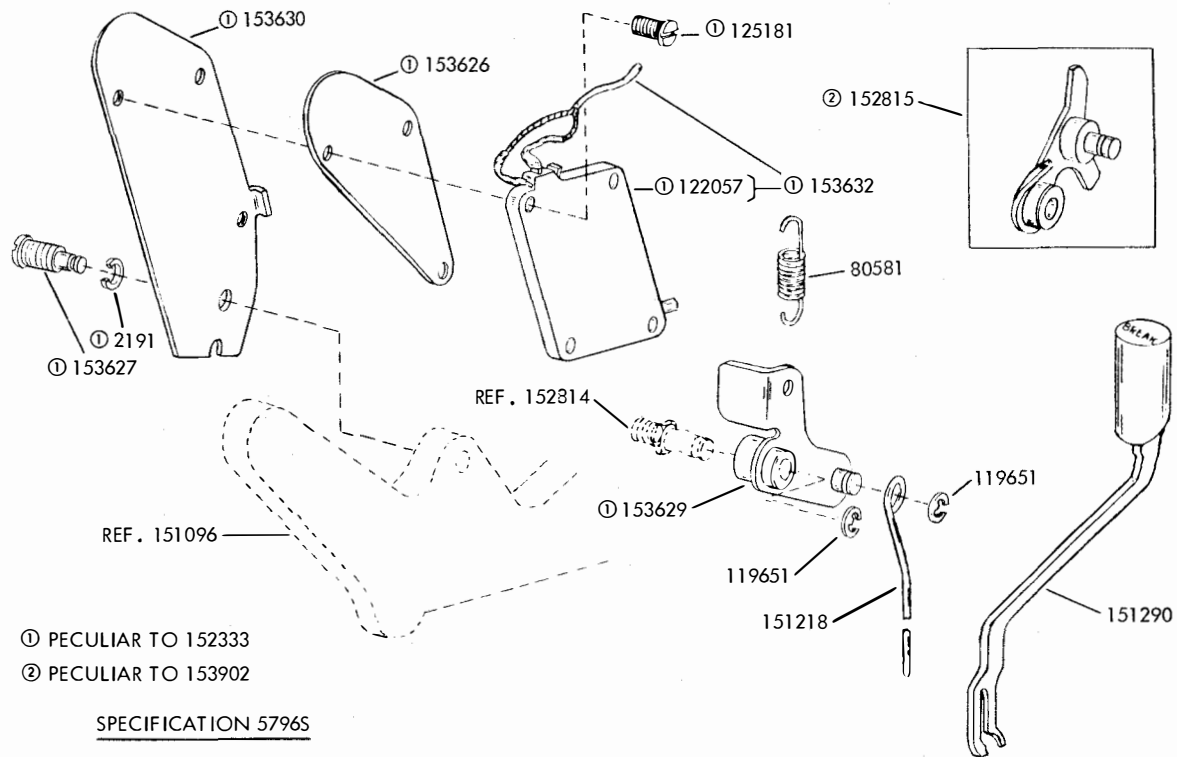


FIGURE 18. 152333 (ELECTRICAL) and 153902 (MECHANICAL) MODIFICATION KITS TO PROVIDE SIGNAL LINE BREAK MECHANISM ON KEYBOARD (MARK II)

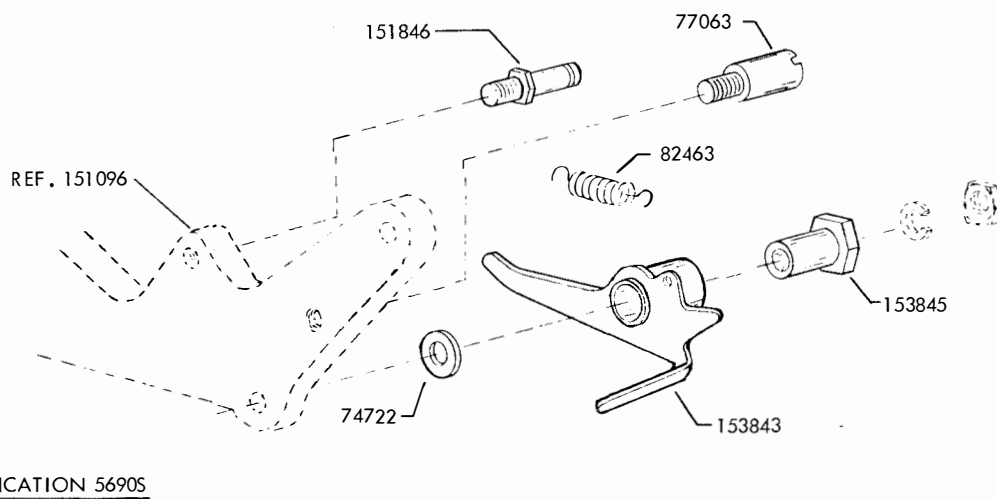
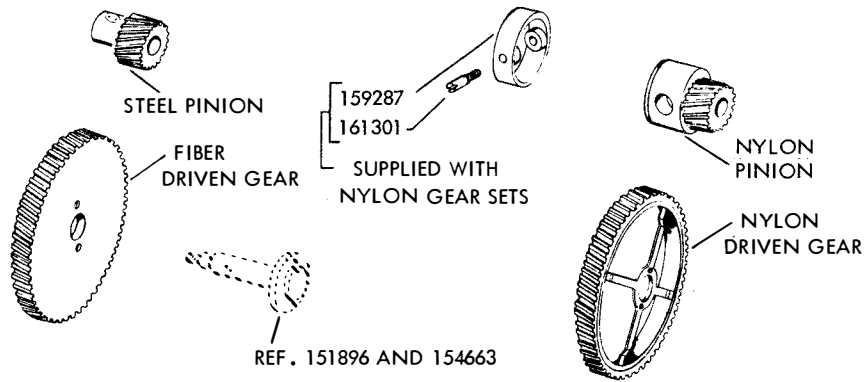


FIGURE 19. 151887 MODIFICATION KIT TO PROVIDE REPEAT ON SPACE MECHANISM (MARK II)



G E A R S E T S											
WPM	OPM	BAUD	UNIT CODE	SET NUMBER		PINION			GEAR		
				FIBER	NYLON	TEETH	STEEL	NYLON	TEETH	FIBER	NYLON
60	368	45.45	7.42	151060	161293	14	151130	159278	96	151131	159279
				①159660	—	10	①159661	—	57	①159662	—
67	404	50	7.42	②161111	—	14	②161106	—	96	151131	—
				152766	—	13	152765	—	81	152764	—
71	428	50	7.00	①159667	—	15	①159663	—	78	①159664	—
				—	163504	18	—	163461	117	—	163462
75	460	56.88	7.42	151075	161294	17	151132	159281	93	151133	159282
				①159675	—	14	①159665	—	64	①159666	—
100	600	74.2	7.42	151100	161295	20	151134	159284	84	151135	159285
				①159700	—	20	①159668	—	70	①159669	—
107	643	75	7.00	—	—	20	②153993	—	84	151135	—
				—	163505	24	—	163463	104	—	163464

①USED WITH SYNCHRONOUS MOTORS OPERATING AT 3000 RPM ON 50 CYCLES
 ②SPECIAL GEARS FOR LMU10

FIGURE 20. GEAR SETS

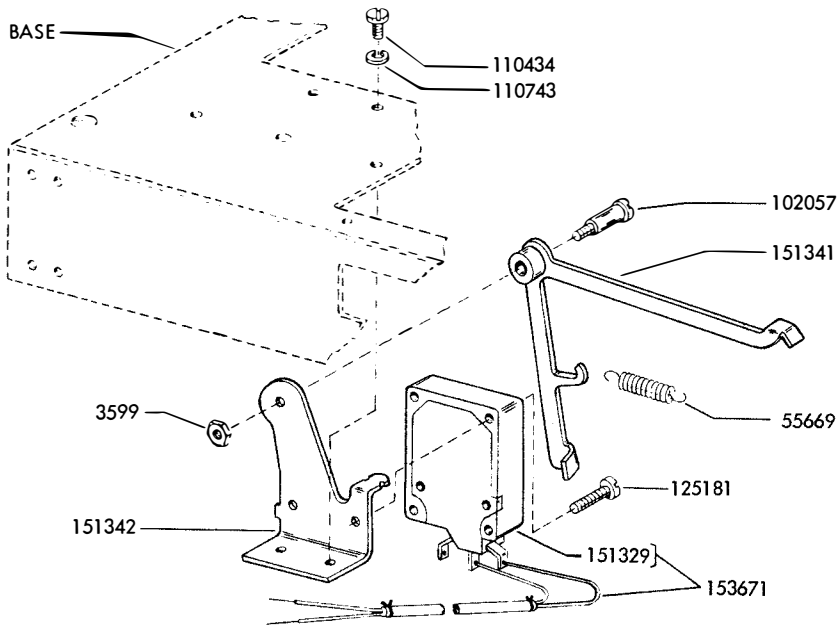


FIGURE 21. 152343 MODIFICATION KIT TO PROVIDE END-OF-LINE SWITCH (MARK II)

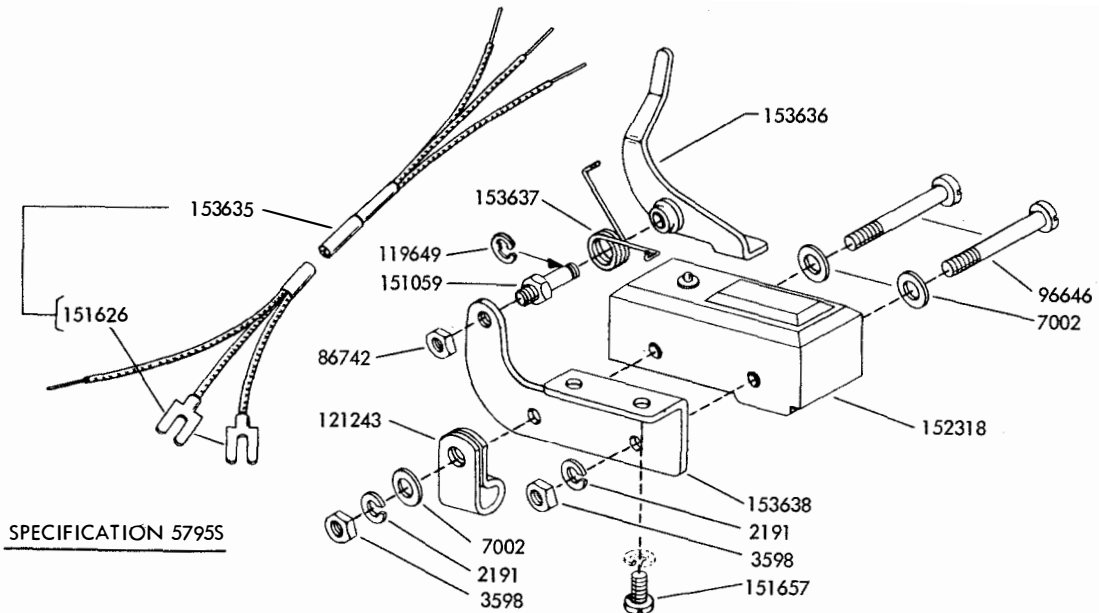


FIGURE 22. 152334 MODIFICATION KIT TO PROVIDE PAPER FEED-OUT MOTOR STARTING MECHANISM (MARK II)

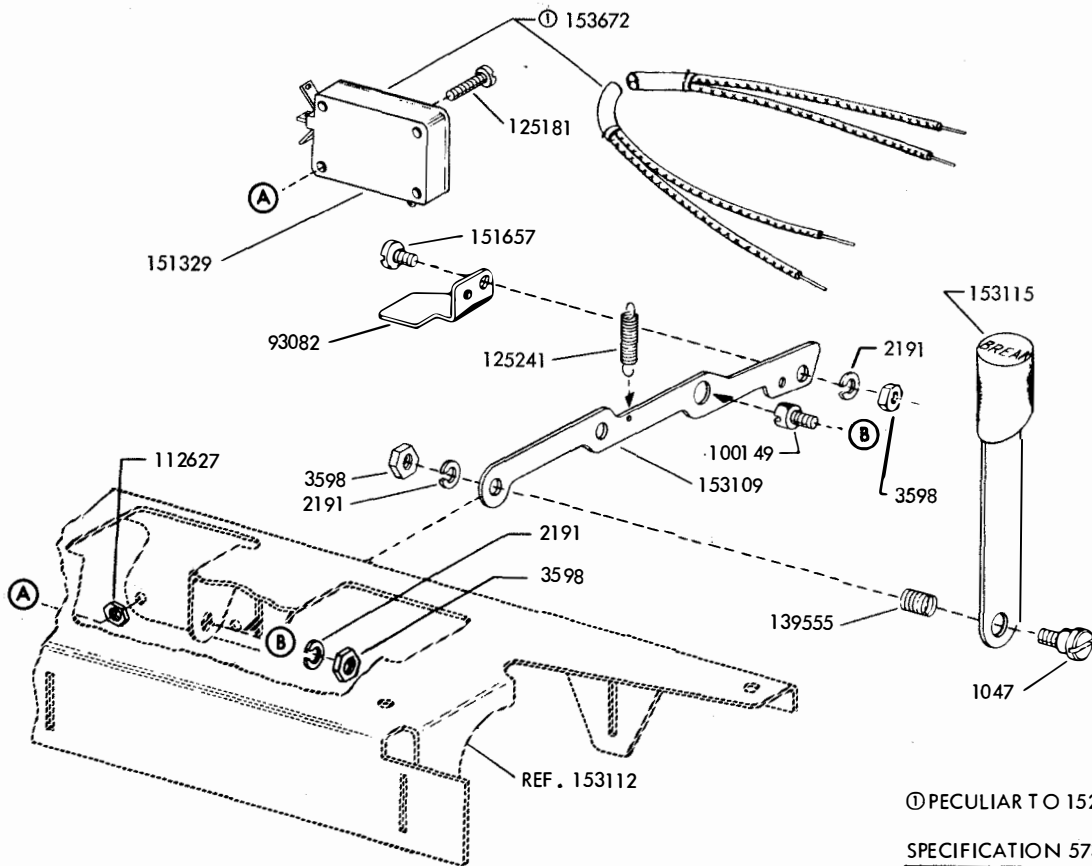
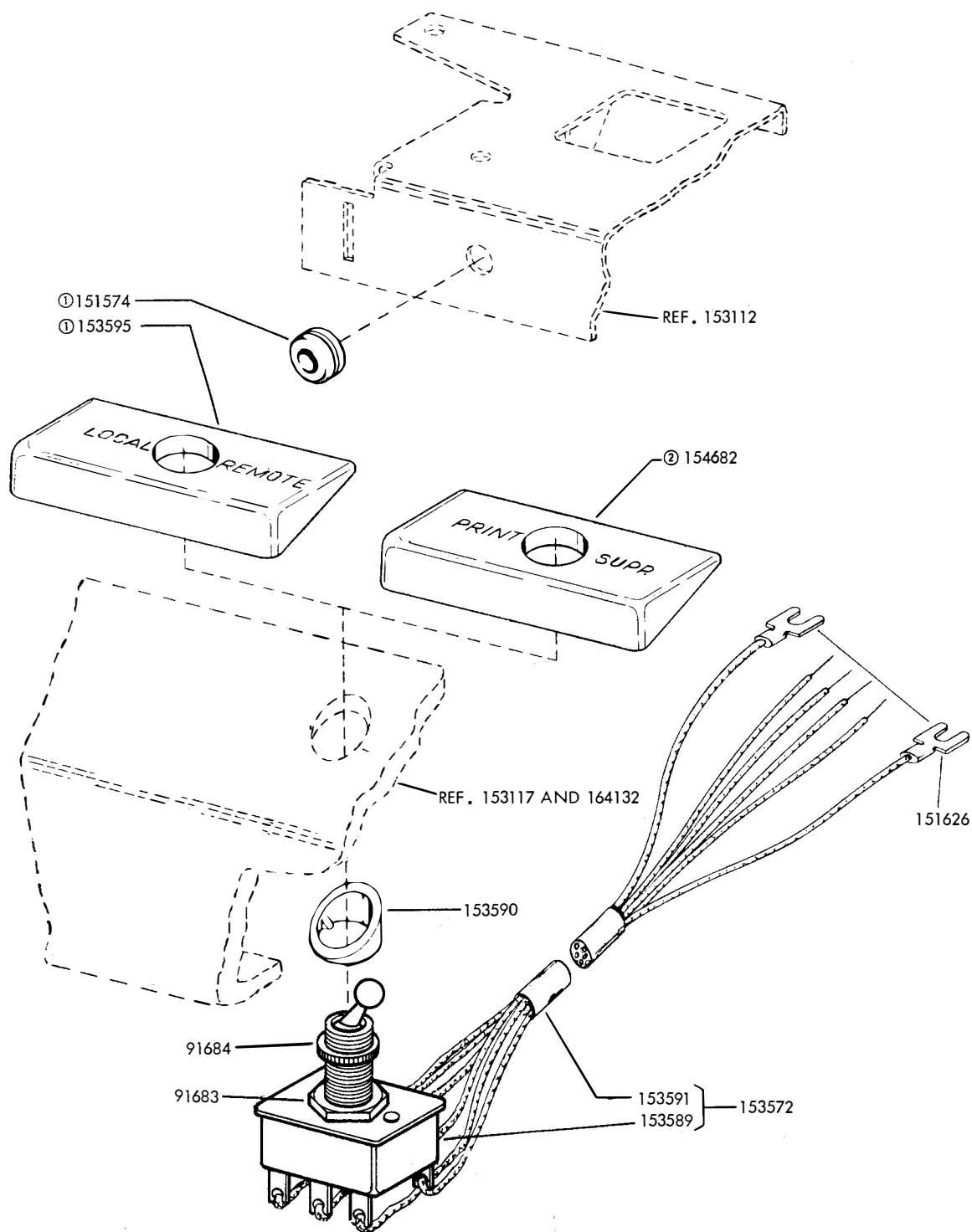
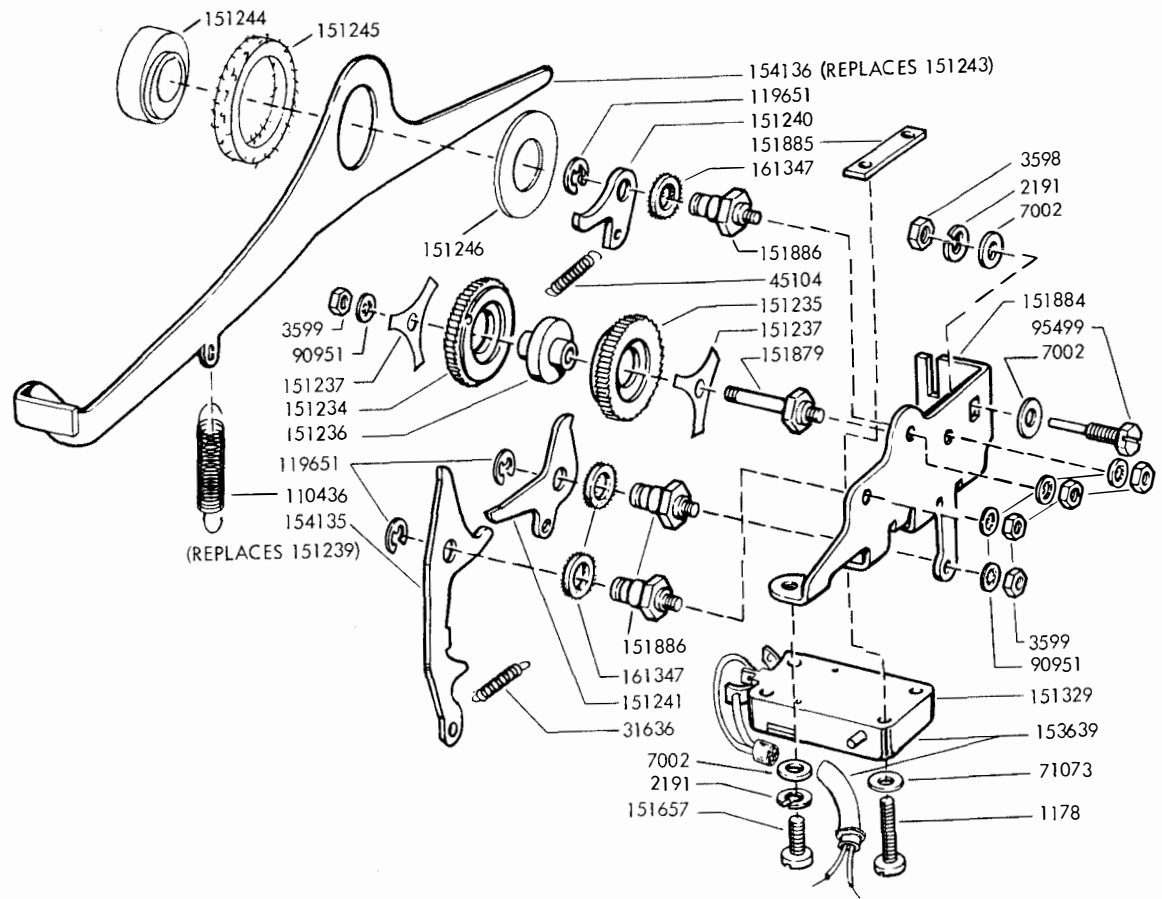


FIGURE 23. 152911 (LESS SWITCH) 152344 (WITH SWITCH) MODIFICATION KITS TO PROVIDE SIGNAL LINE BREAK MECHANISM ON BASE (MARK II)



⓪ PECULIAR TO 152342
 ⓑ PECULIAR TO 154681

FIGURE 24. 152342 (LOCAL-REMOTE) SWITCH (BASE) 154681 (PRINT SUPPRESSION) MODIFICATION KITS TO PROVIDE SWITCH ON BASE (MARK II)



SPECIFICATION 56615

FIGURE 25. 152338 MODIFICATION KIT TO PROVIDE TIME DELAY MECHANISM ON KEYBOARD OR BASE (MARK II)

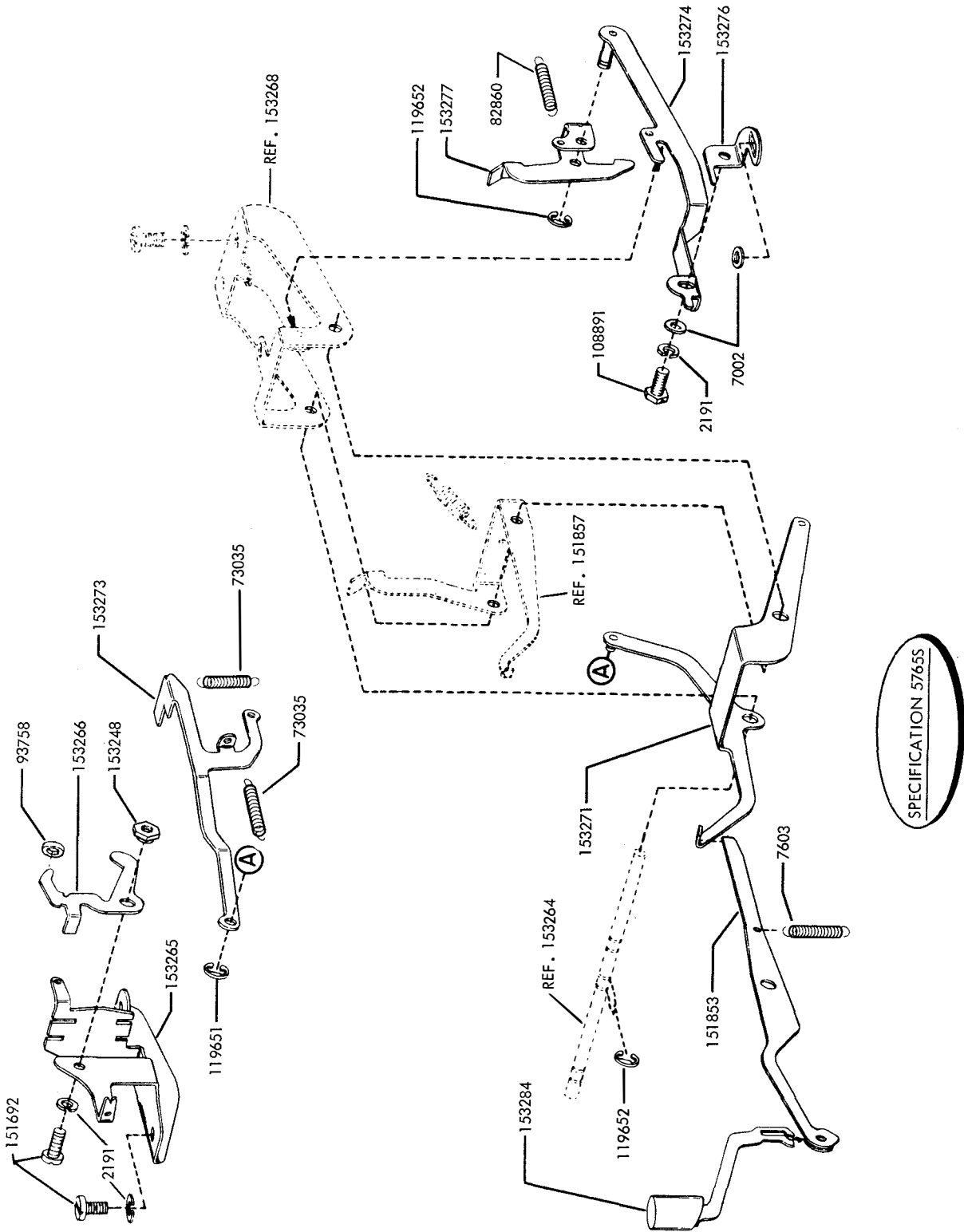
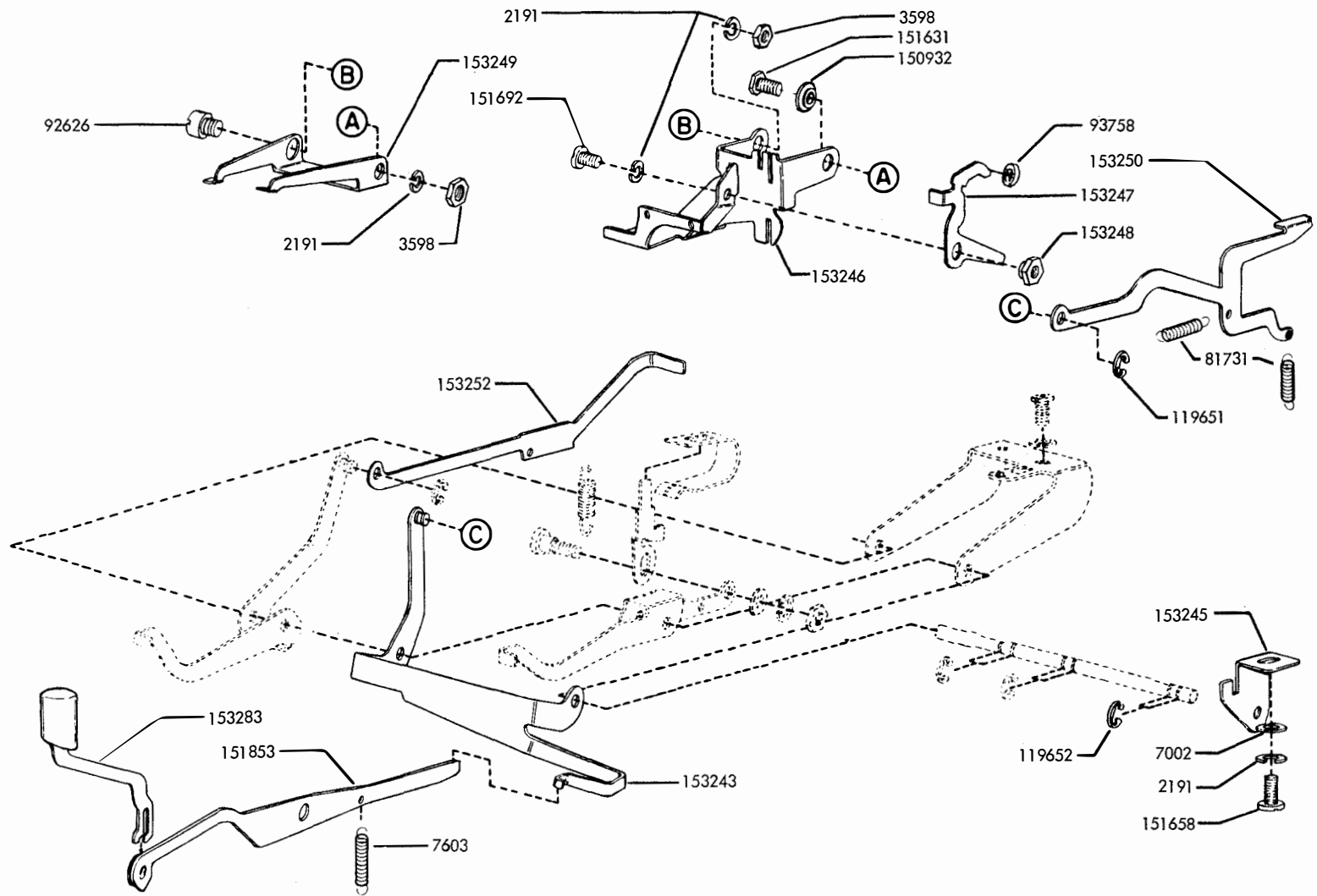


FIGURE 26. 152918 MODIFICATION KIT TO PROVIDE LOCAL BACK SPACE MECHANISM ON KEYBOARD (MARK II)

FIGURE 27. 152916 MODIFICATION KIT TO PROVIDE LOCAL REVERSE LINE FEED MECHANISM ON KEYBOARD (MARK 11)



SEE FIGURE 8 FOR REFERENCE PARTS

SPECIFICATION 5765S

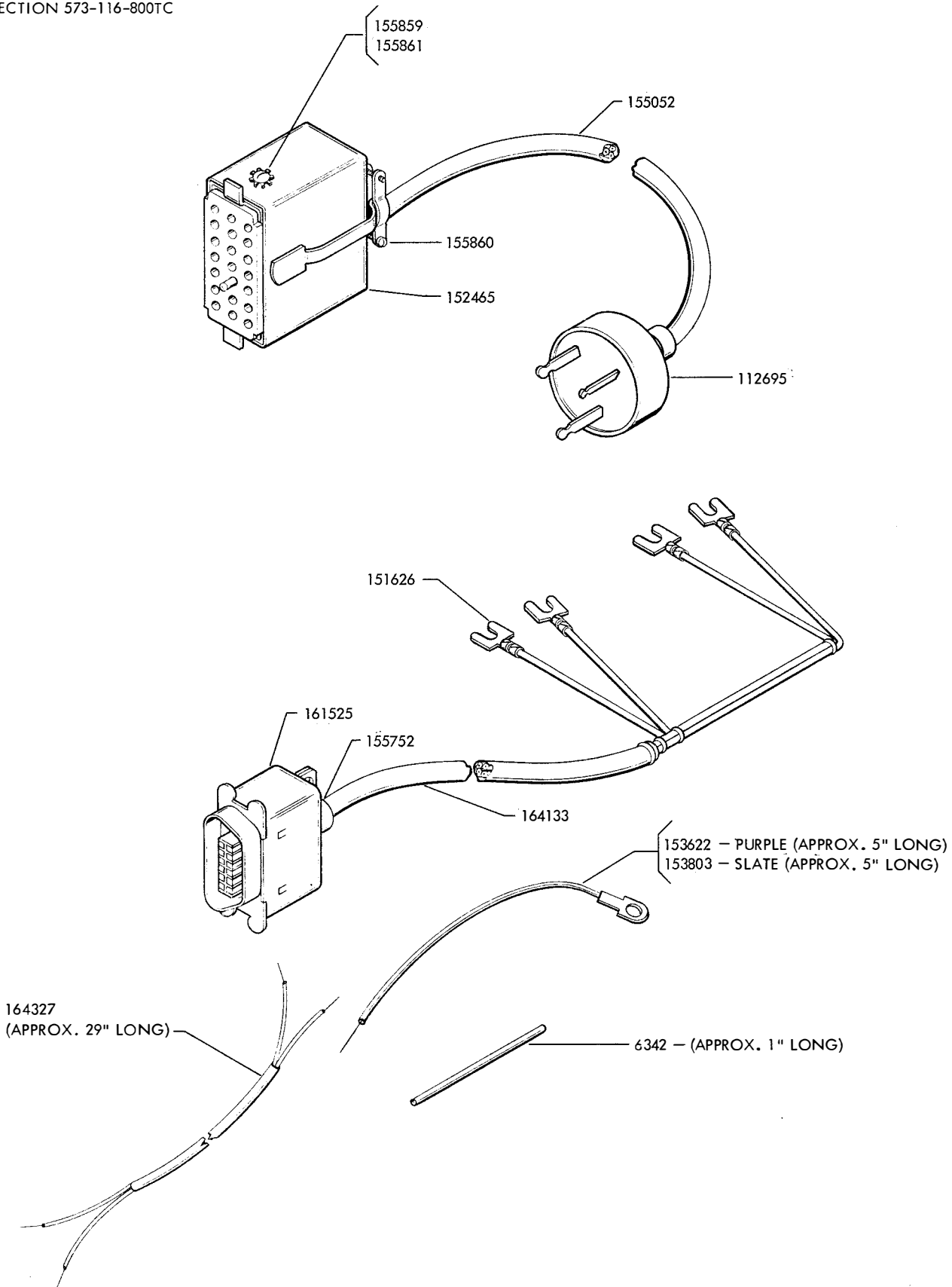
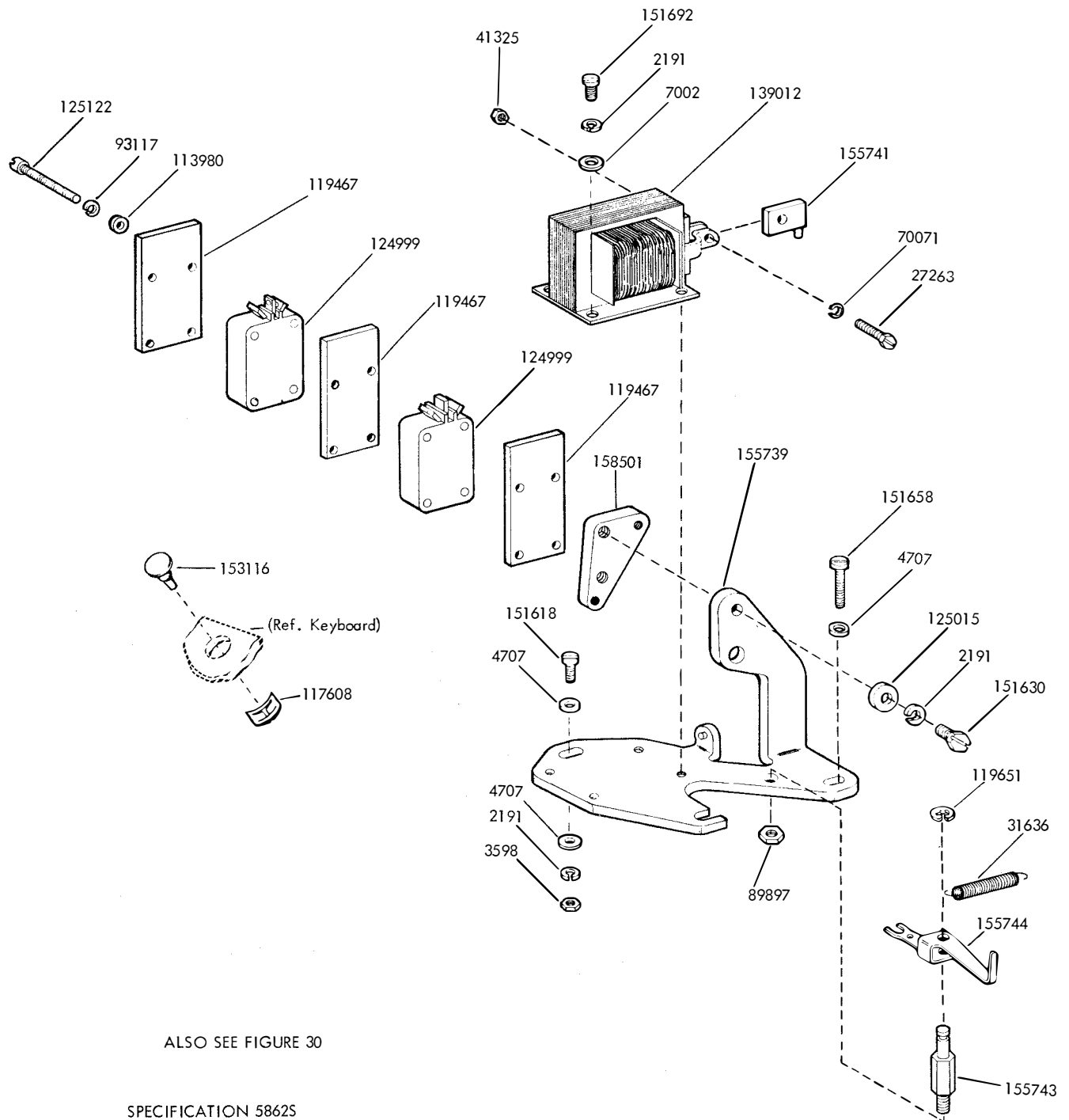


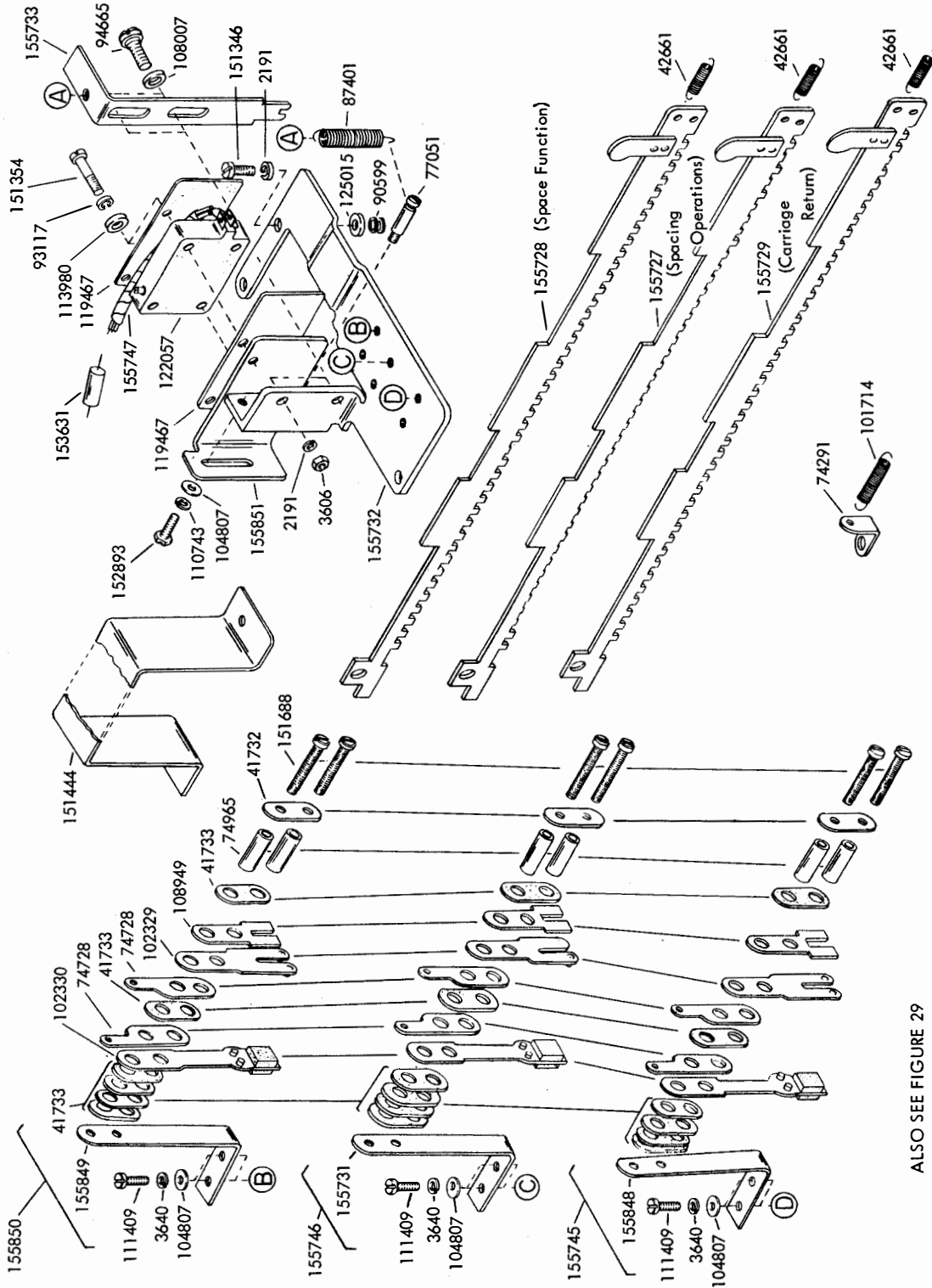
FIGURE 28. AUXILIARY CABLES FOR KEYBOARD OR BASE (MARK II)



ALSO SEE FIGURE 30

SPECIFICATION 5862S

FIGURE 29. 154783 MODIFICATION KIT TO EQUIP A KEYBOARD WITH OFF-LINE CONTACTS



ALSO SEE FIGURE 29

SPECIFICATION 58625

FIGURE 30. 154783 MODIFICATION KIT TO EQUIP A KEYBOARD WITH OFF-LINE CONTACTS (Continued)

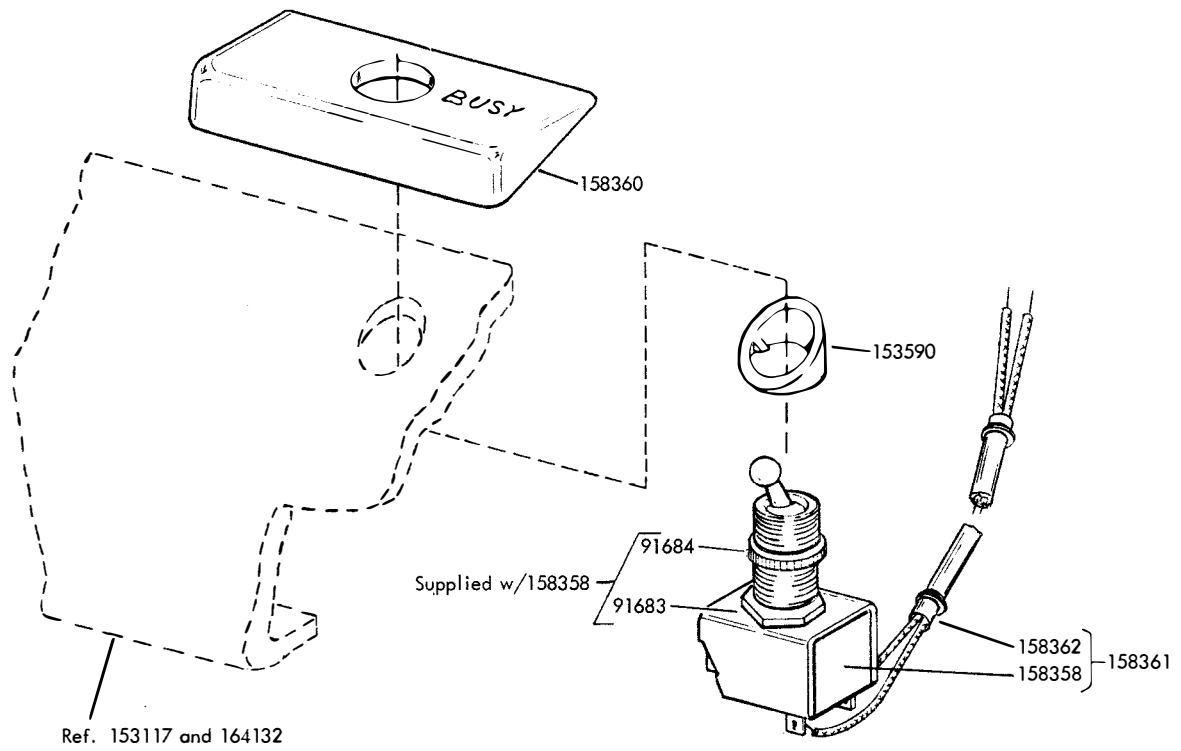


FIGURE 31. 158359 MODIFICATION KIT TO PROVIDE BUSY KEY SWITCH (BASE)

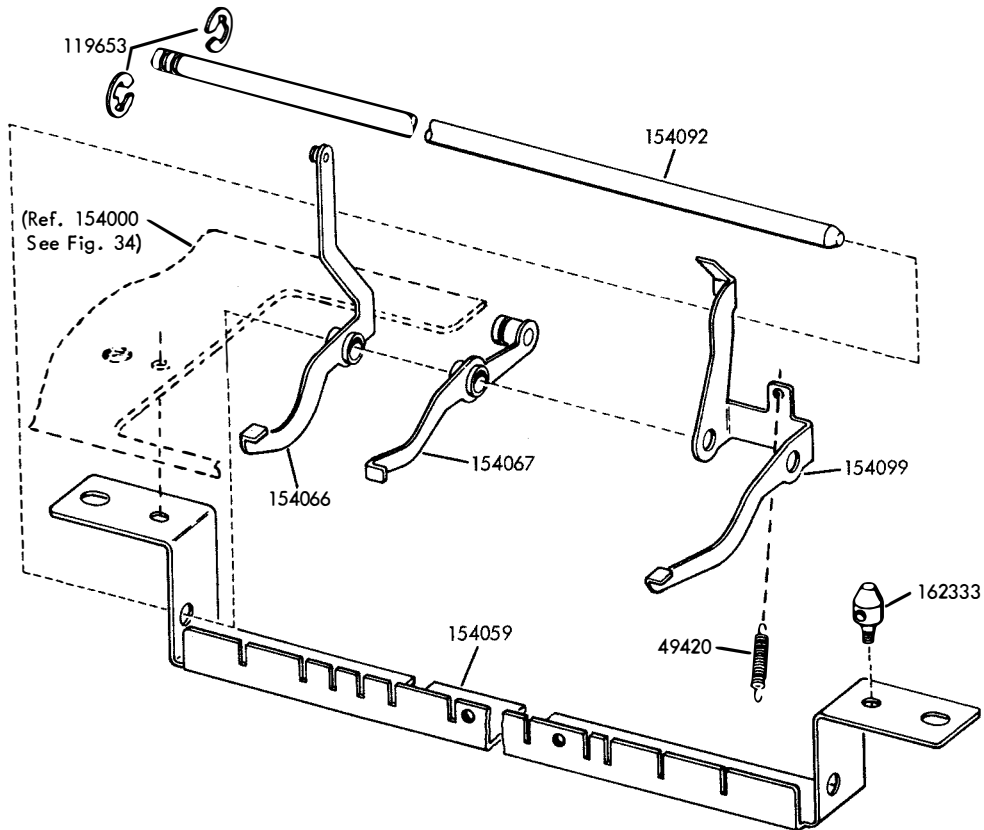


FIGURE 32. FUNCTION BAIL MECHANISM (MARK III)

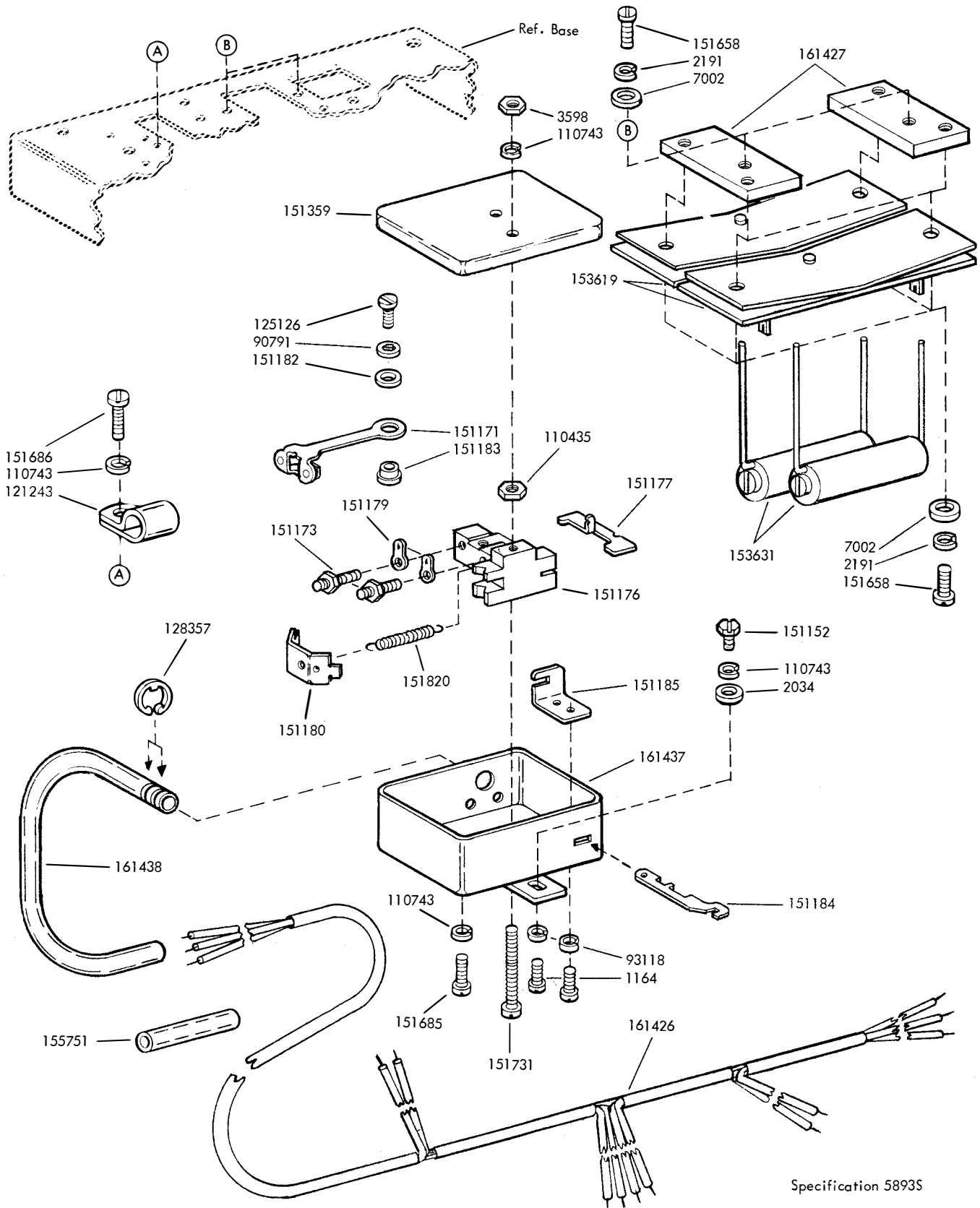
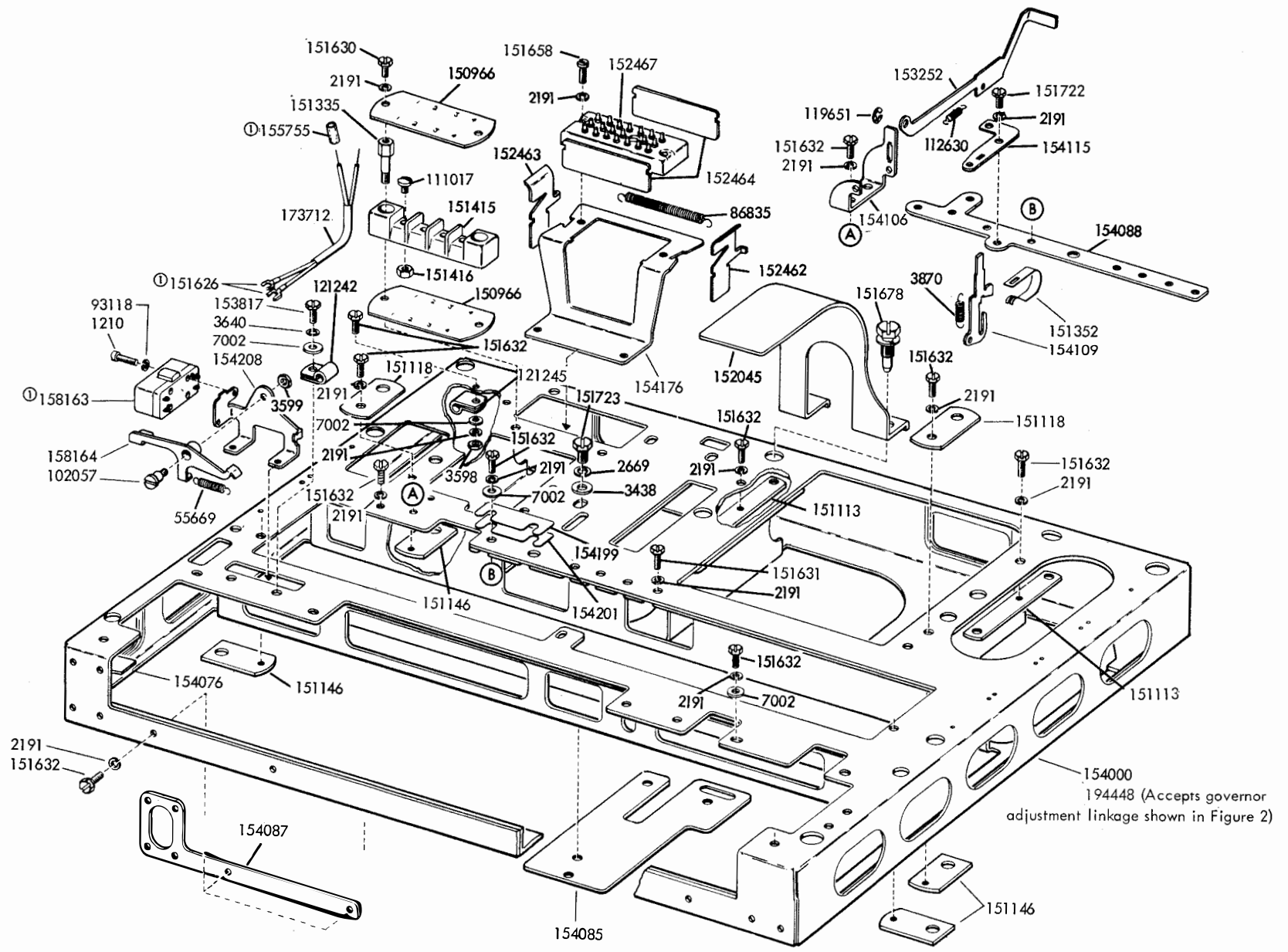
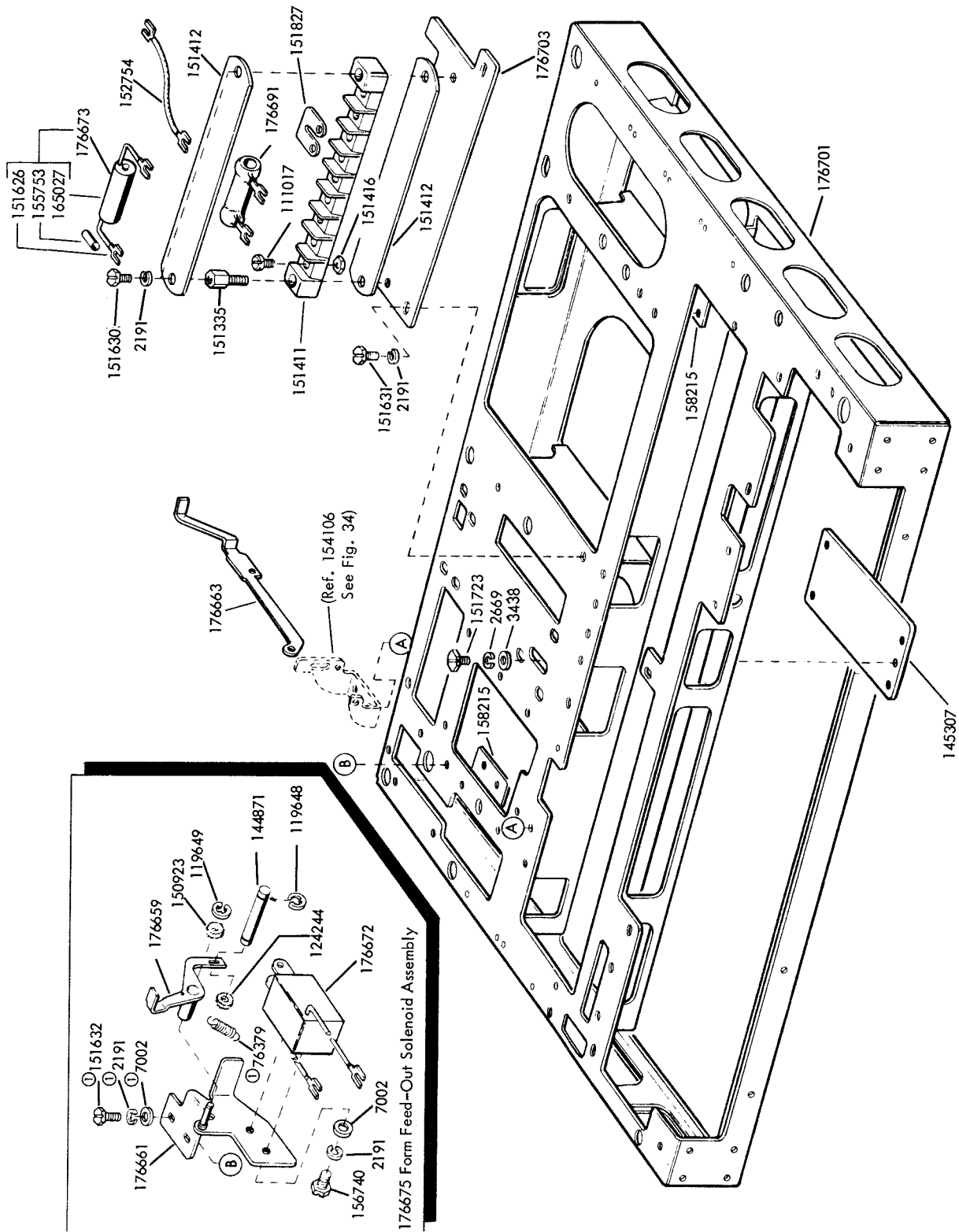


FIGURE 33. 161435 MODIFICATION KIT TO PROVIDE NEUTRAL & INVERSE TRANSMISSION (MARK II)

FIGURE 34. KEYBOARD BASE PARTS (MARK 111)



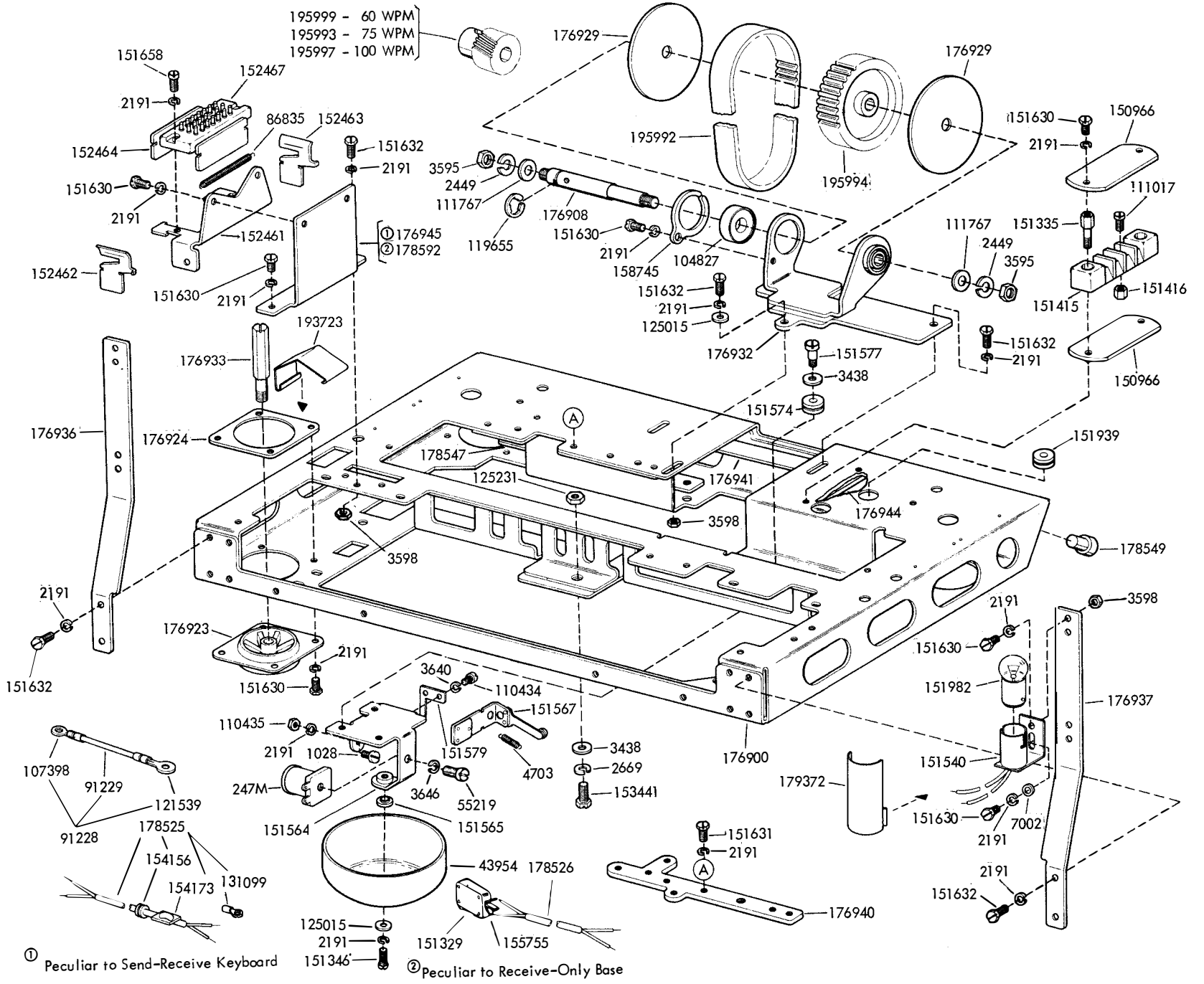
① Part of 173712 Cable Assembly



① Not Part of 176675 Assembly

FIGURE 35. KEYBOARD BASE FOR REMOTE CONTROLLED GEAR SHIFT MECHANISM

FIGURE 36. KEYBOARD OR BASE MECHANISM (WALL MOUNTED)



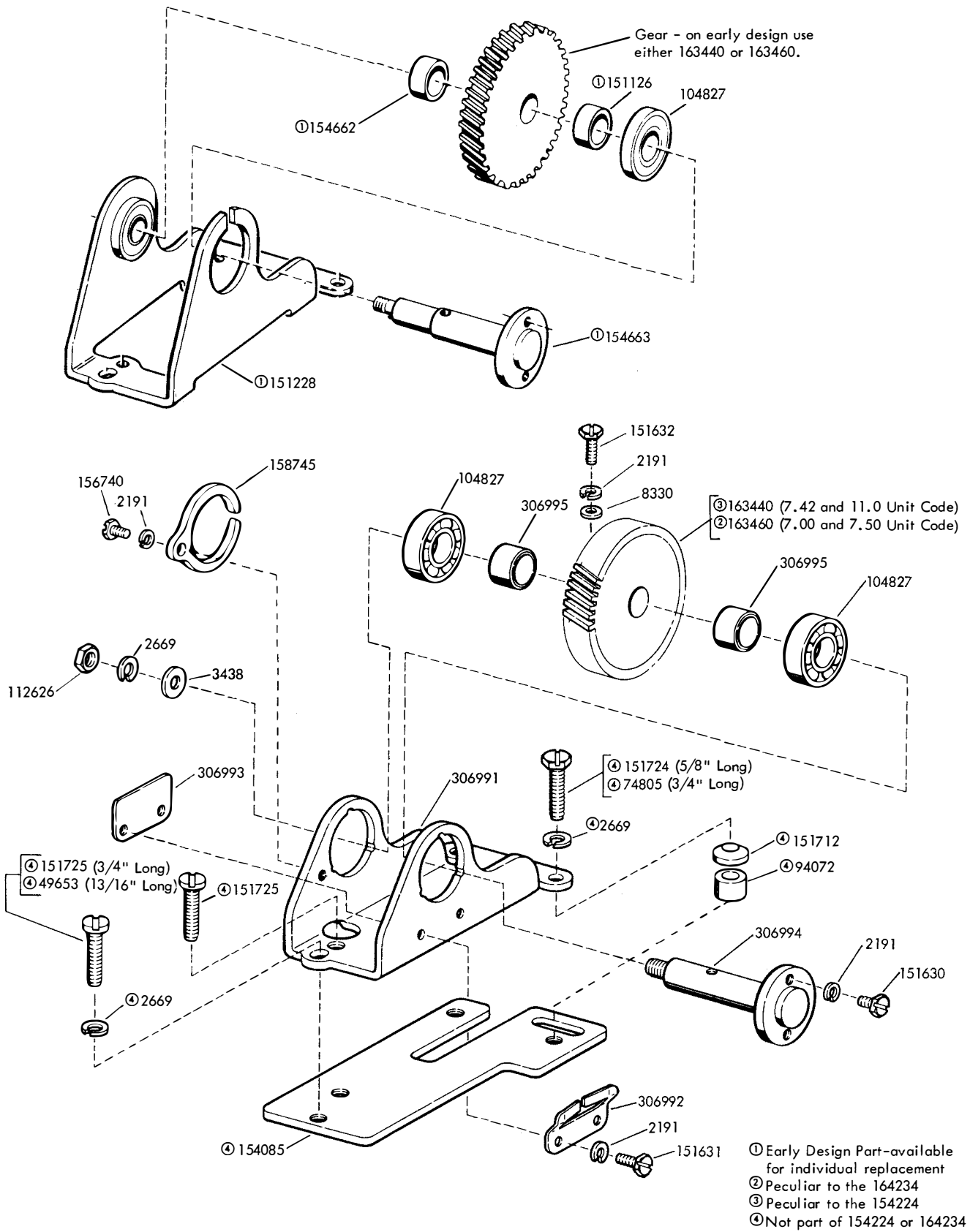


FIGURE 37. 154224 AND 164234 INTERMEDIATE GEAR ASSEMBLIES (MARK III)

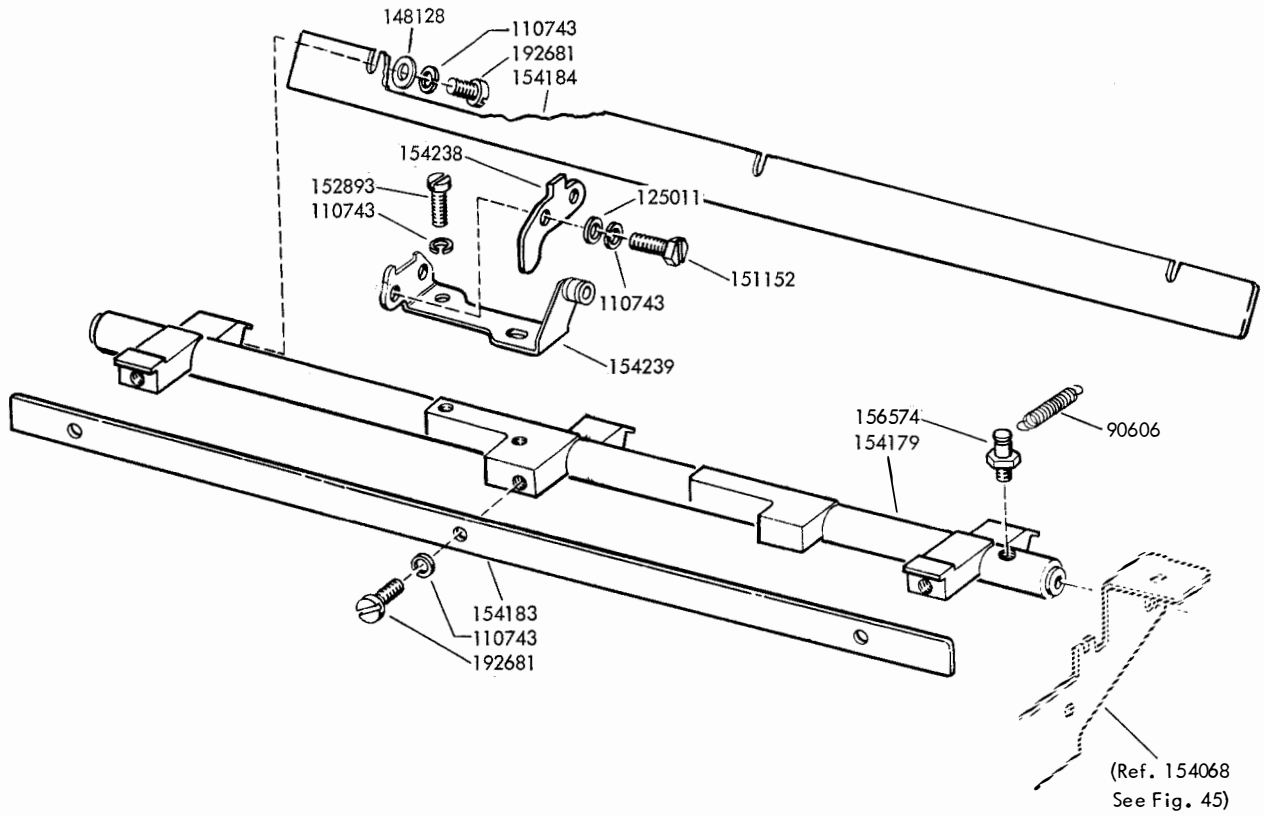


FIGURE 38. 154151 UNIVERSAL BAIL ASSEMBLY (MARK III)

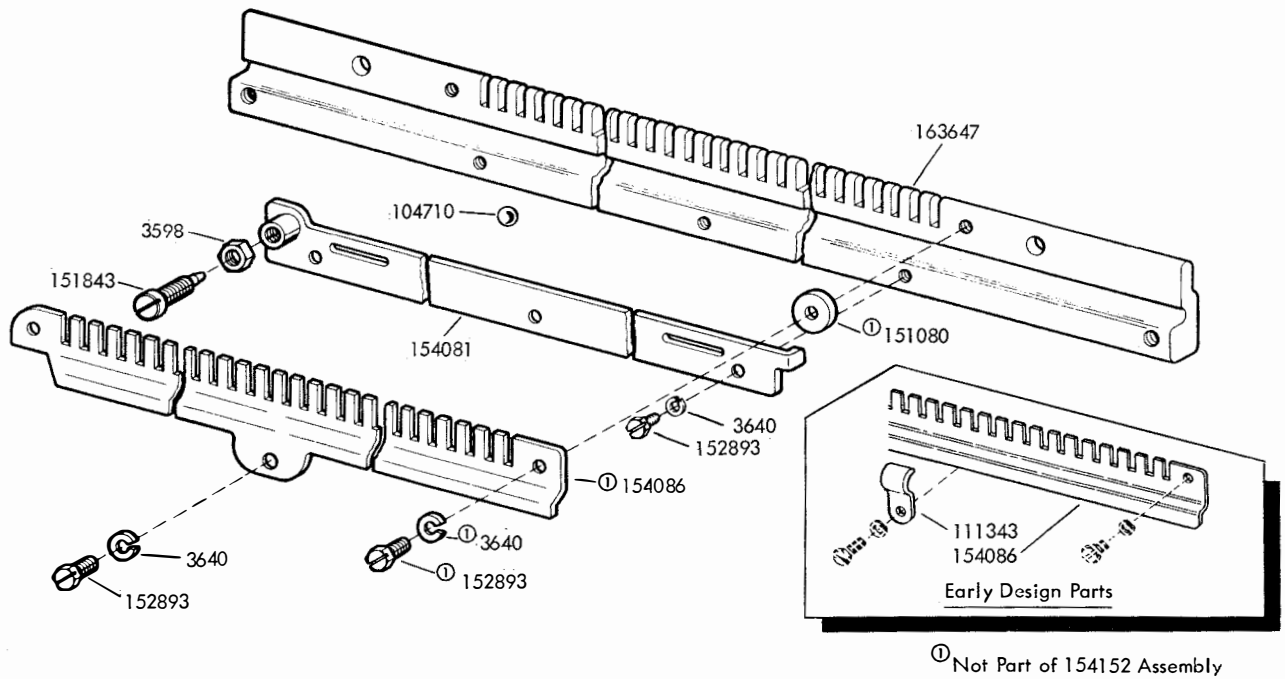


FIGURE 39. 154152 BALL LOCK BAR ASSEMBLY (MARK III)

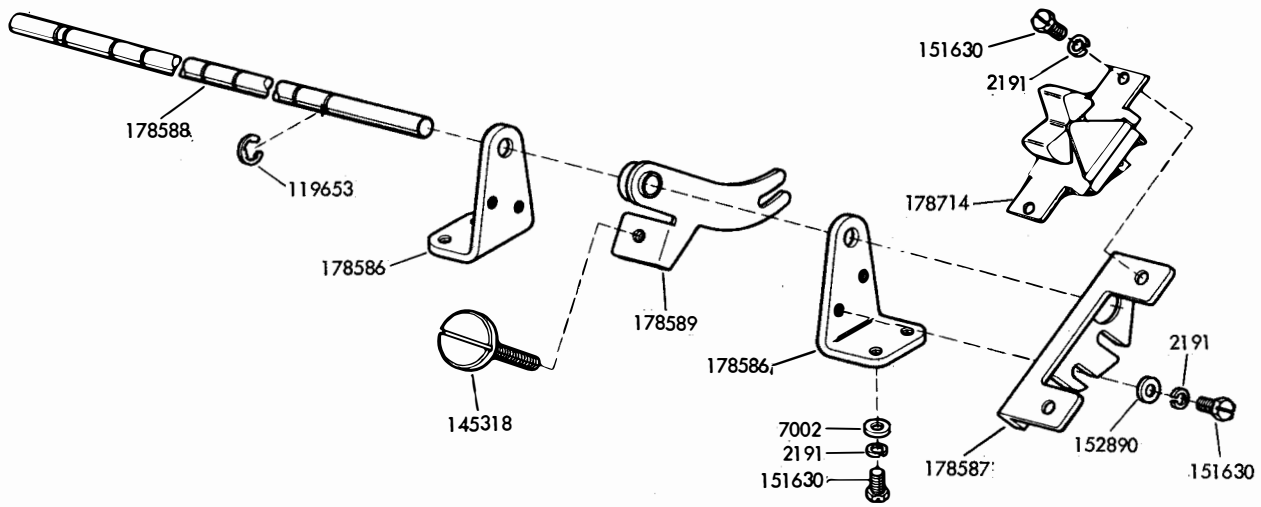
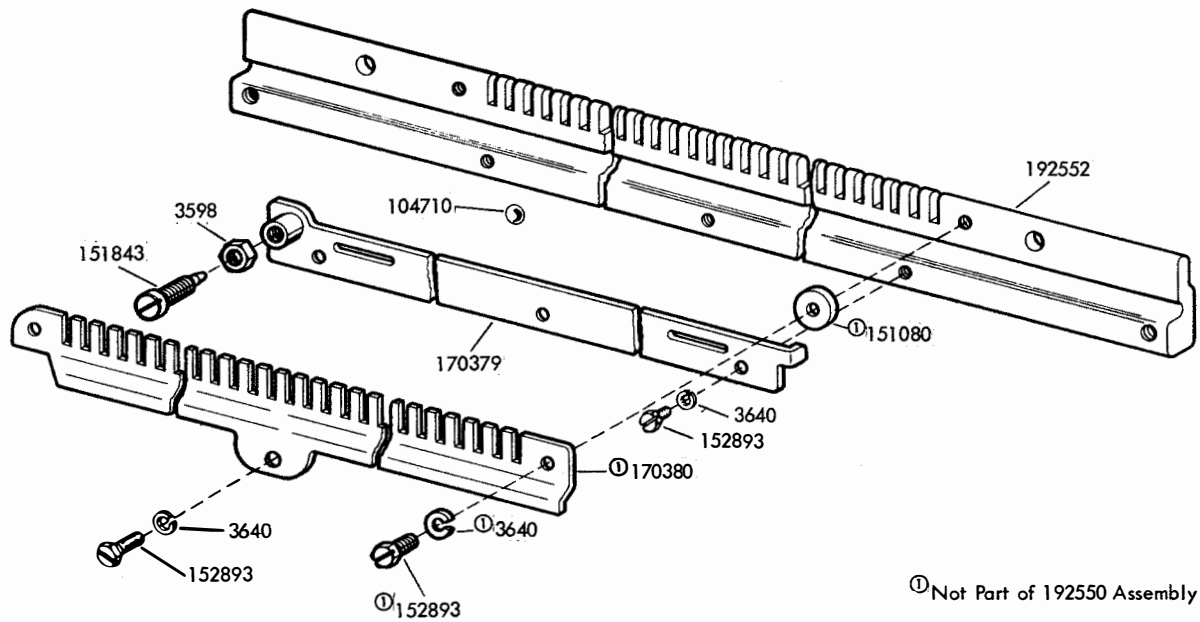


FIGURE 40. TRIP LEVER MECHANISM (WALL MOUNTED)



Ⓛ Not Part of 192550 Assembly

WALL MOUNTED

FIGURE 41. 192550 BALL LOCK BAR ASSEMBLY (WALL MOUNTED)

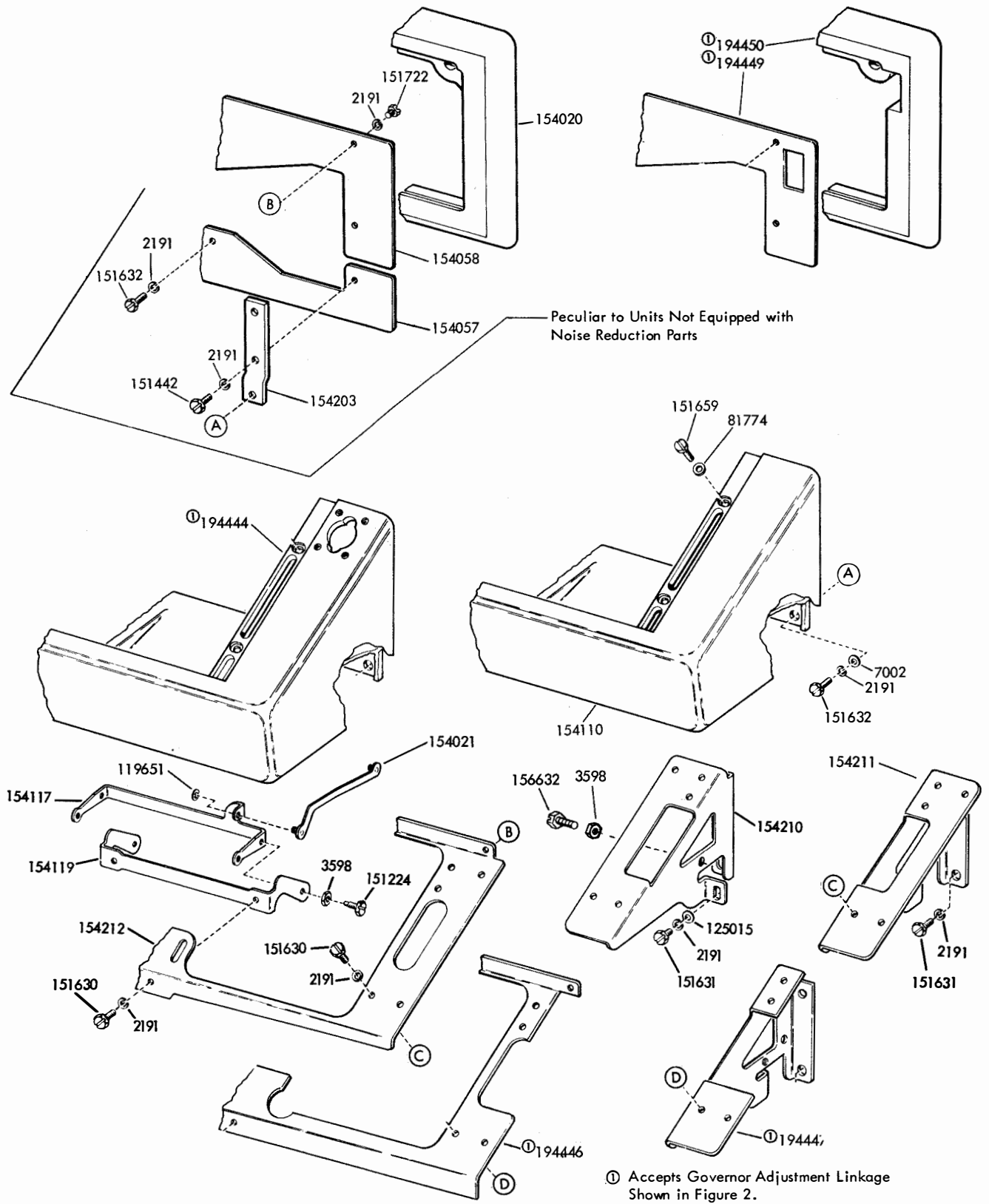


FIGURE 42. KEYBOARD HOOD AND MOUNTING PARTS (MARK III)

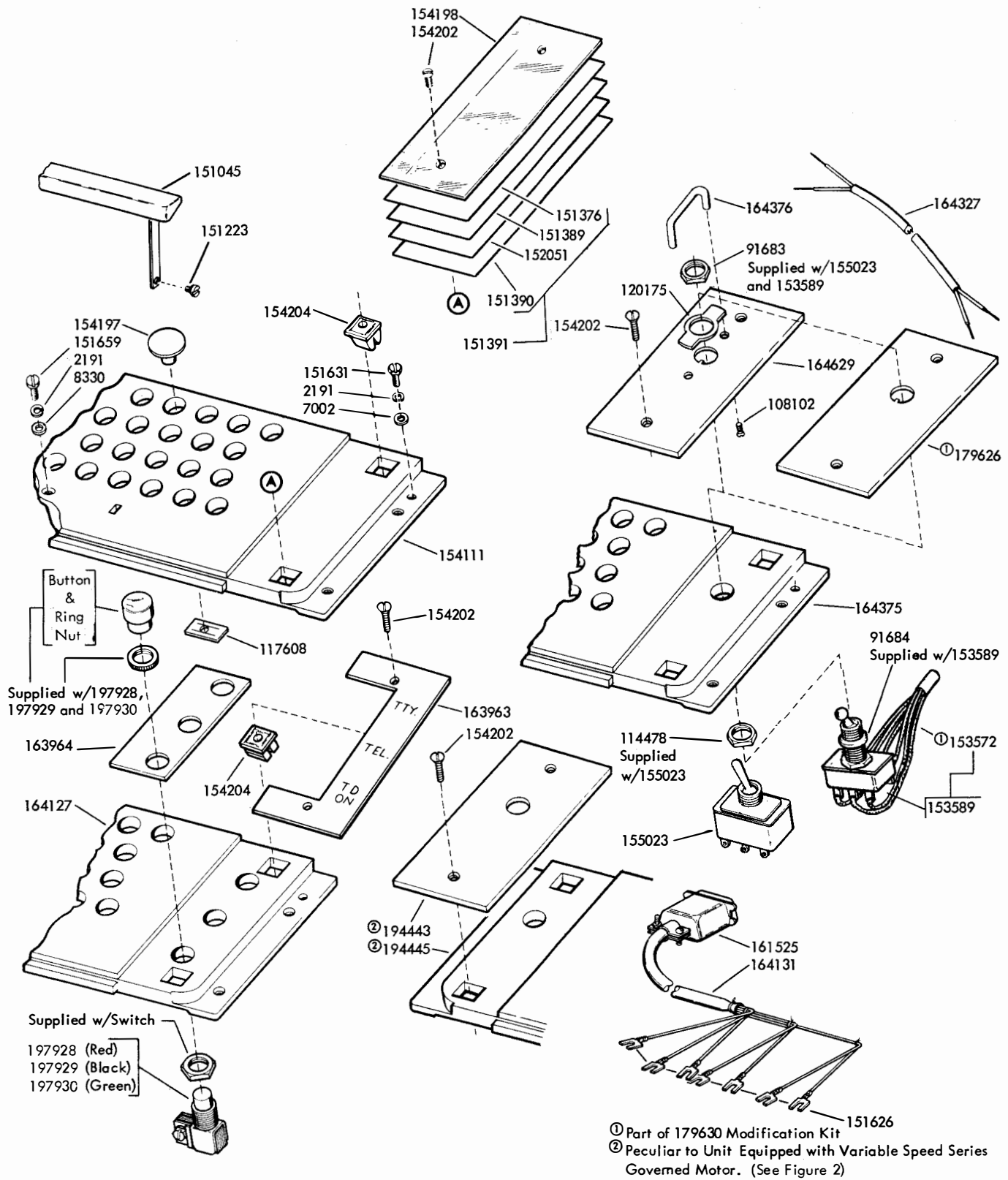


FIGURE 43. KEYBOARD TOP PLATES (MARK III)

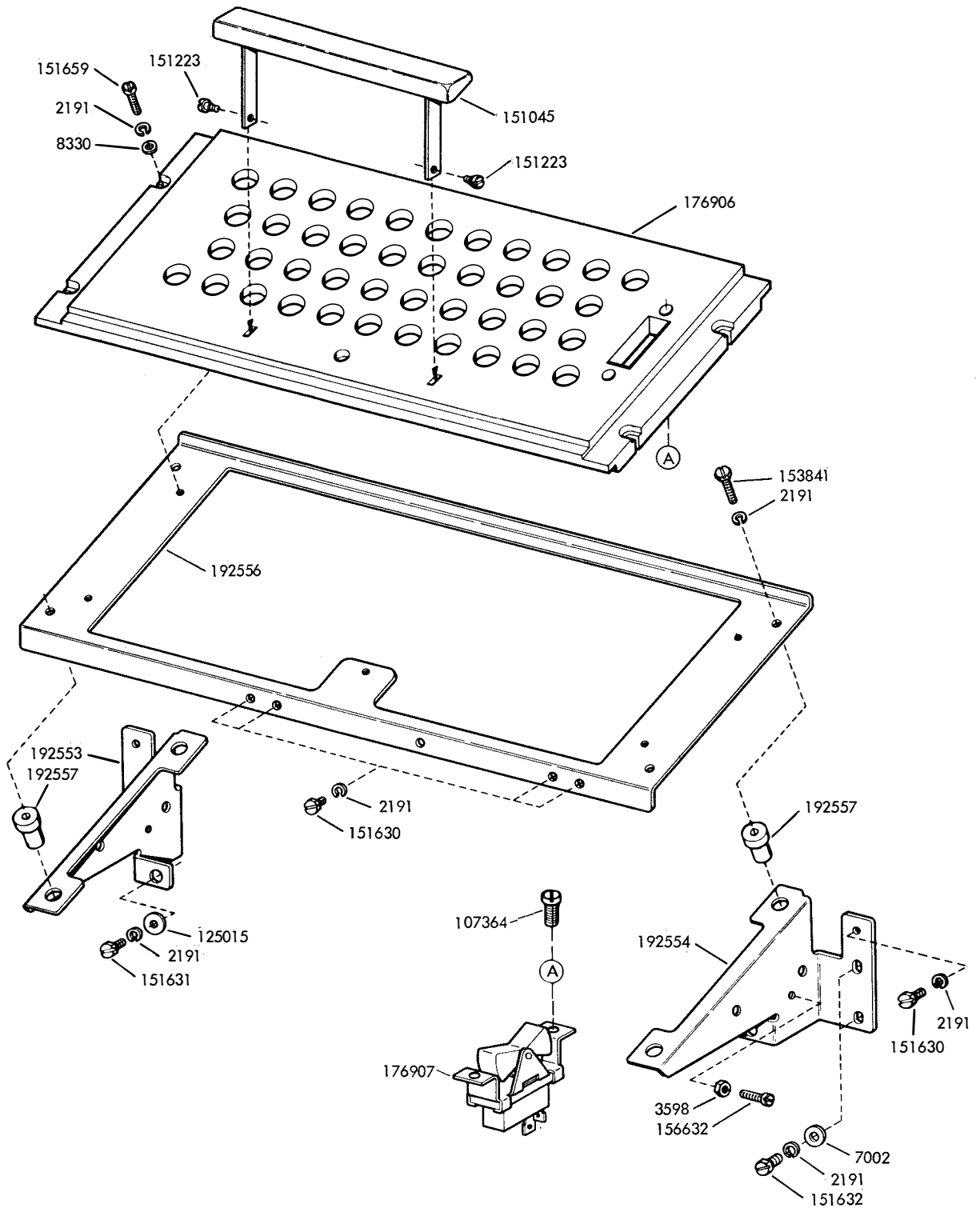


FIGURE 44. KEYBOARD MECHANISM (WALL MOUNTED)

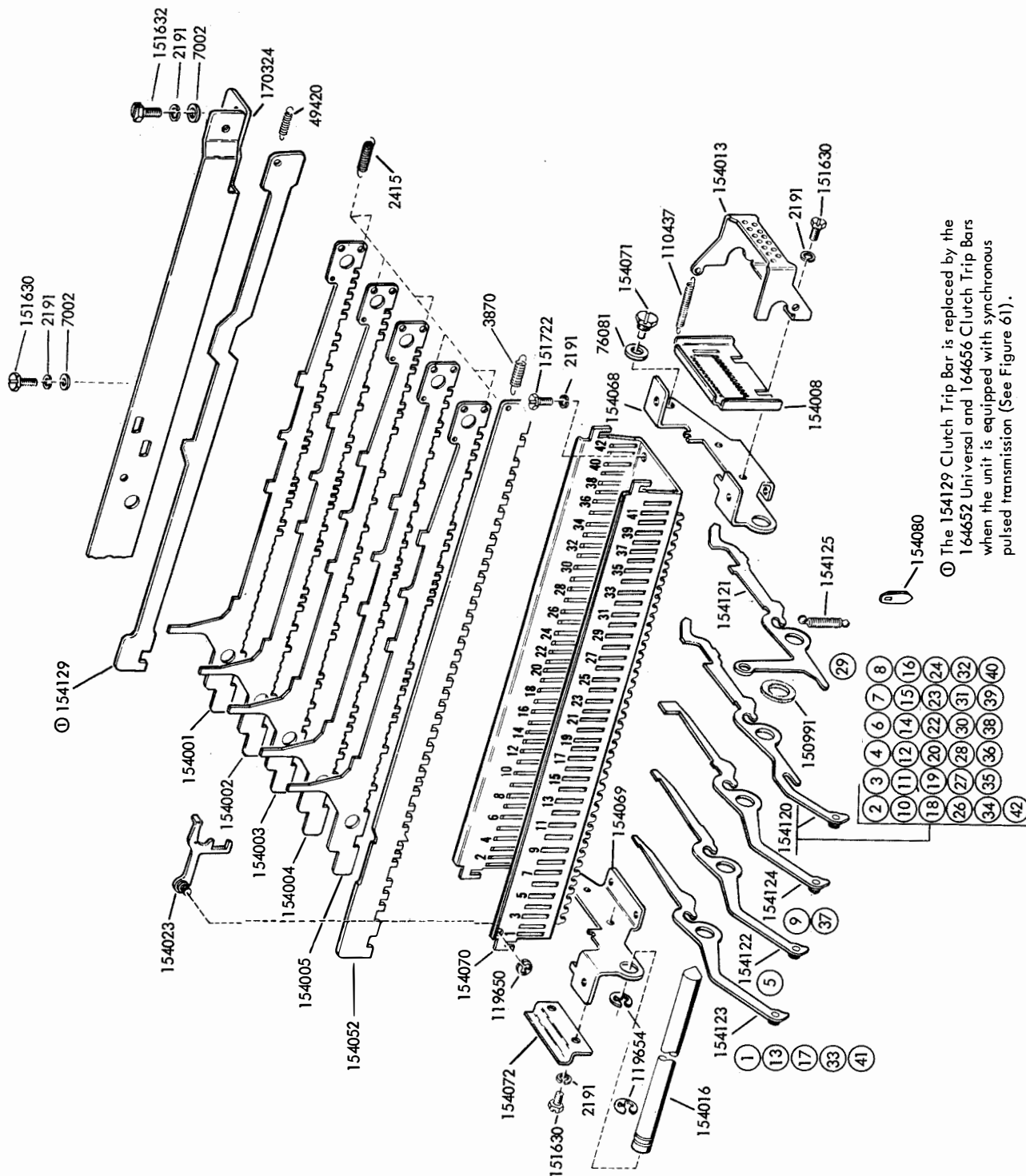
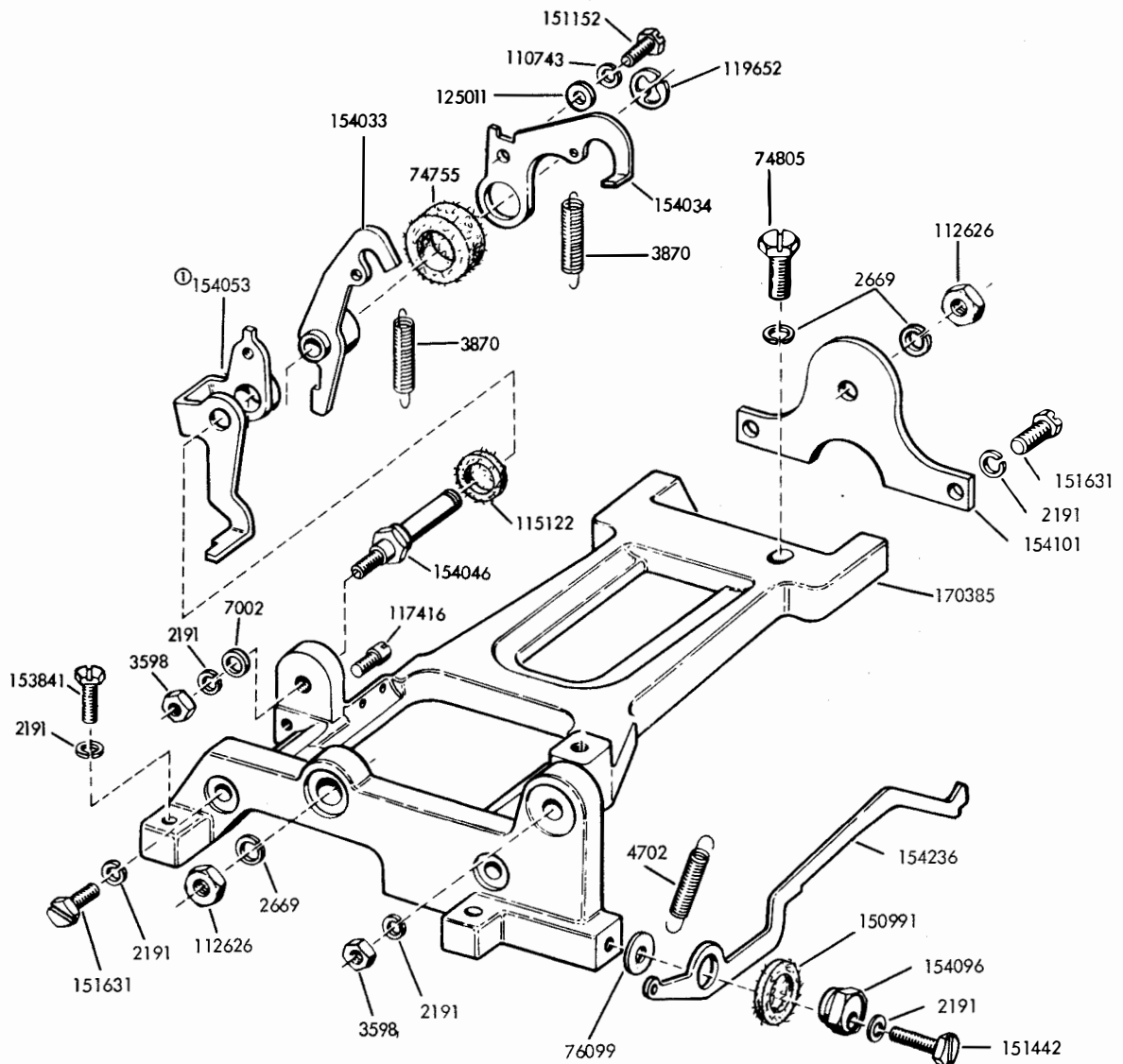
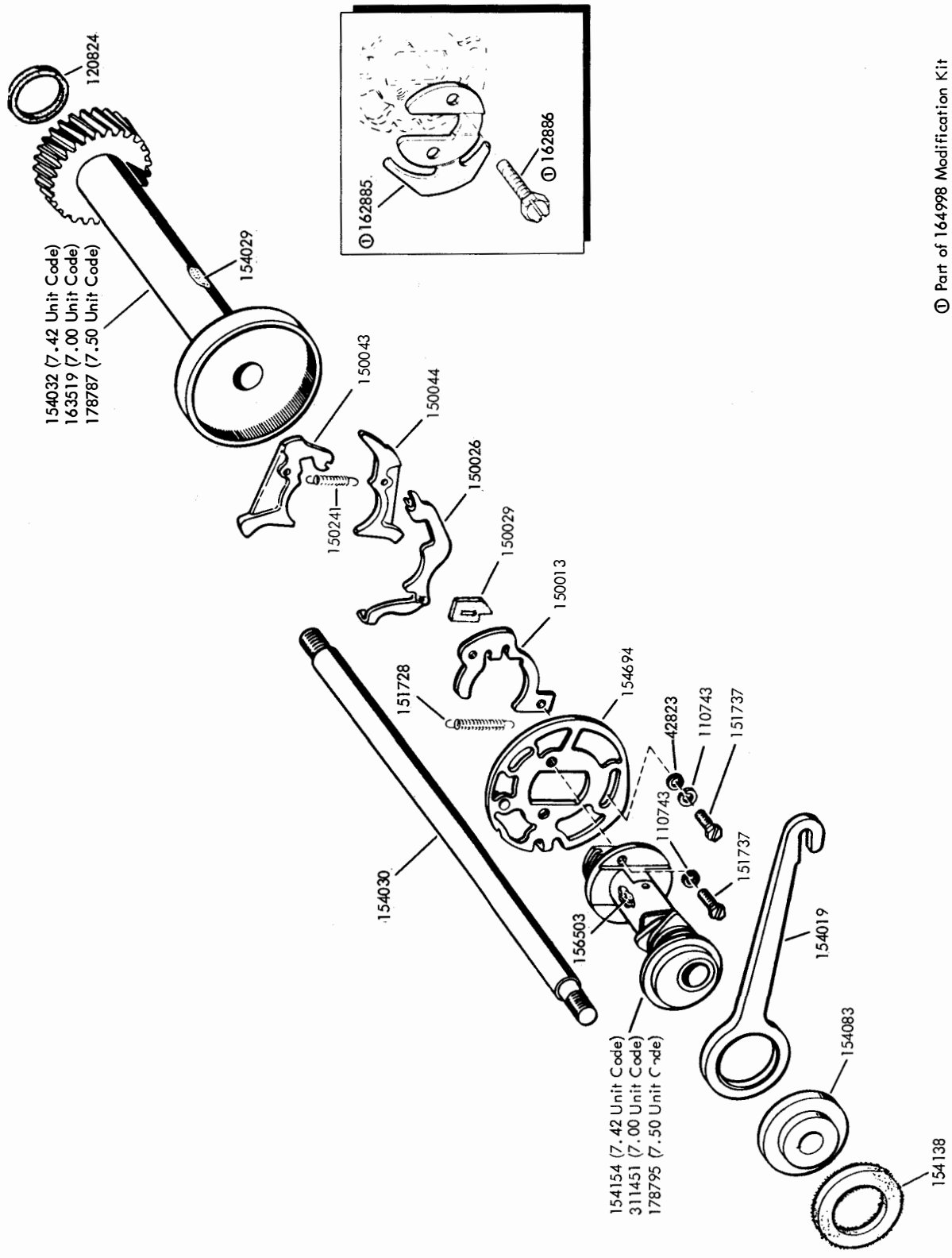


FIGURE 45. CODE BAR MECHANISM (MARK III)



① The 154053 Clutch Trip Bail is replaced by the 164485 Bail when the unit is equipped with synchronous pulsed transmission (See Figure 61).

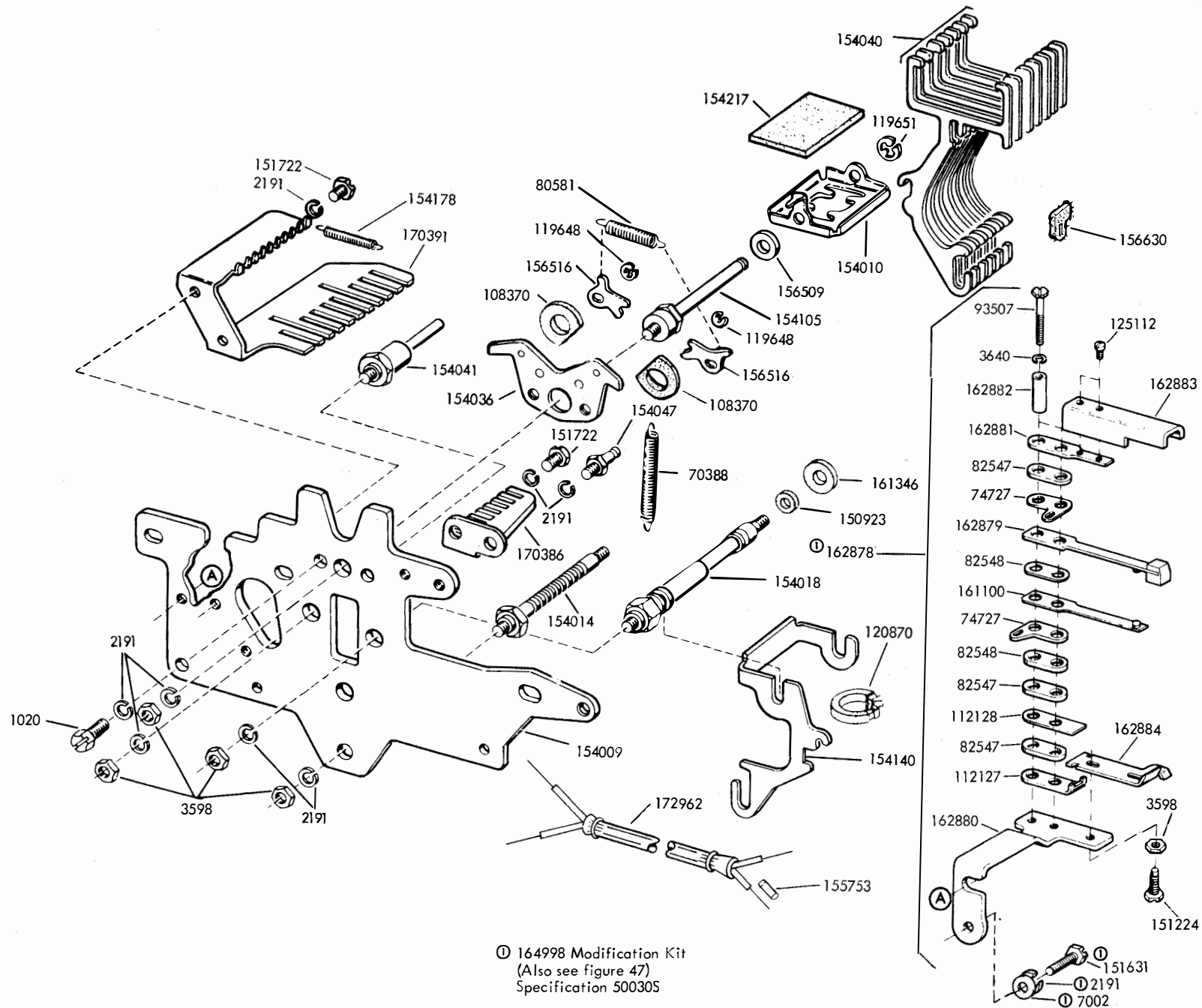
FIGURE 46. SIGNAL GENERATOR FRAME MECHANISM (MARK III)

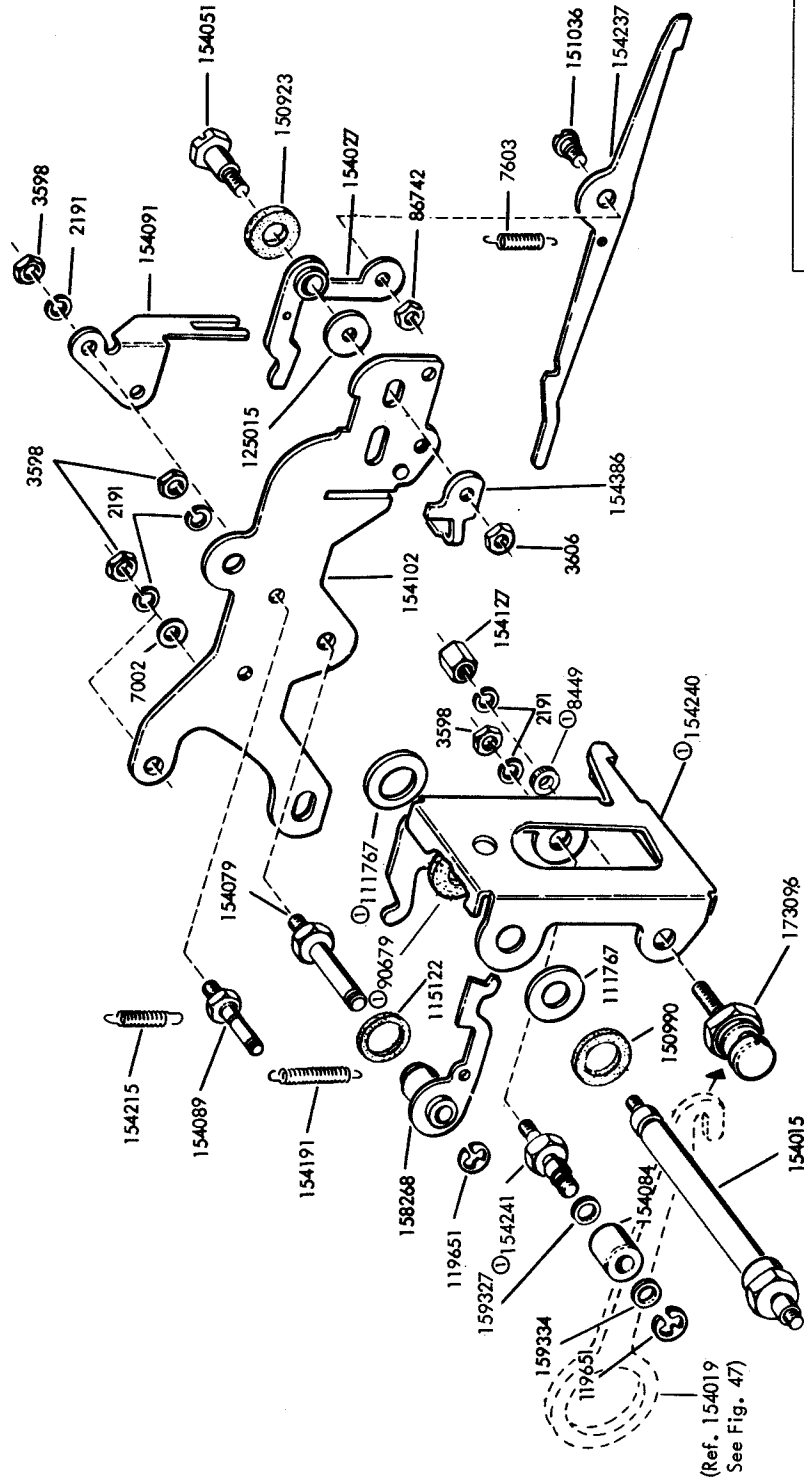


⓪ Part of 164998 Modification Kit
(See Figure 48)

FIGURE 47. SIGNAL GENERATOR SHAFT MECHANISM (MARK III)

FIGURE 48. SIGNAL GENERATOR FRONT PLATE MECHANISM (MARK III)





① 154350 Modification Kit to provide new style code bar ball

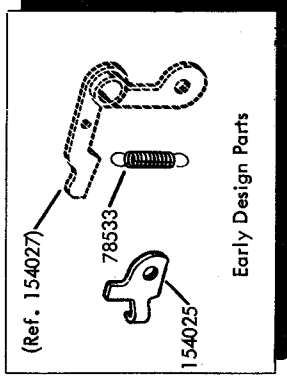


FIGURE 49. SIGNAL GENERATOR REAR PLATE MECHANISM (MARK III)

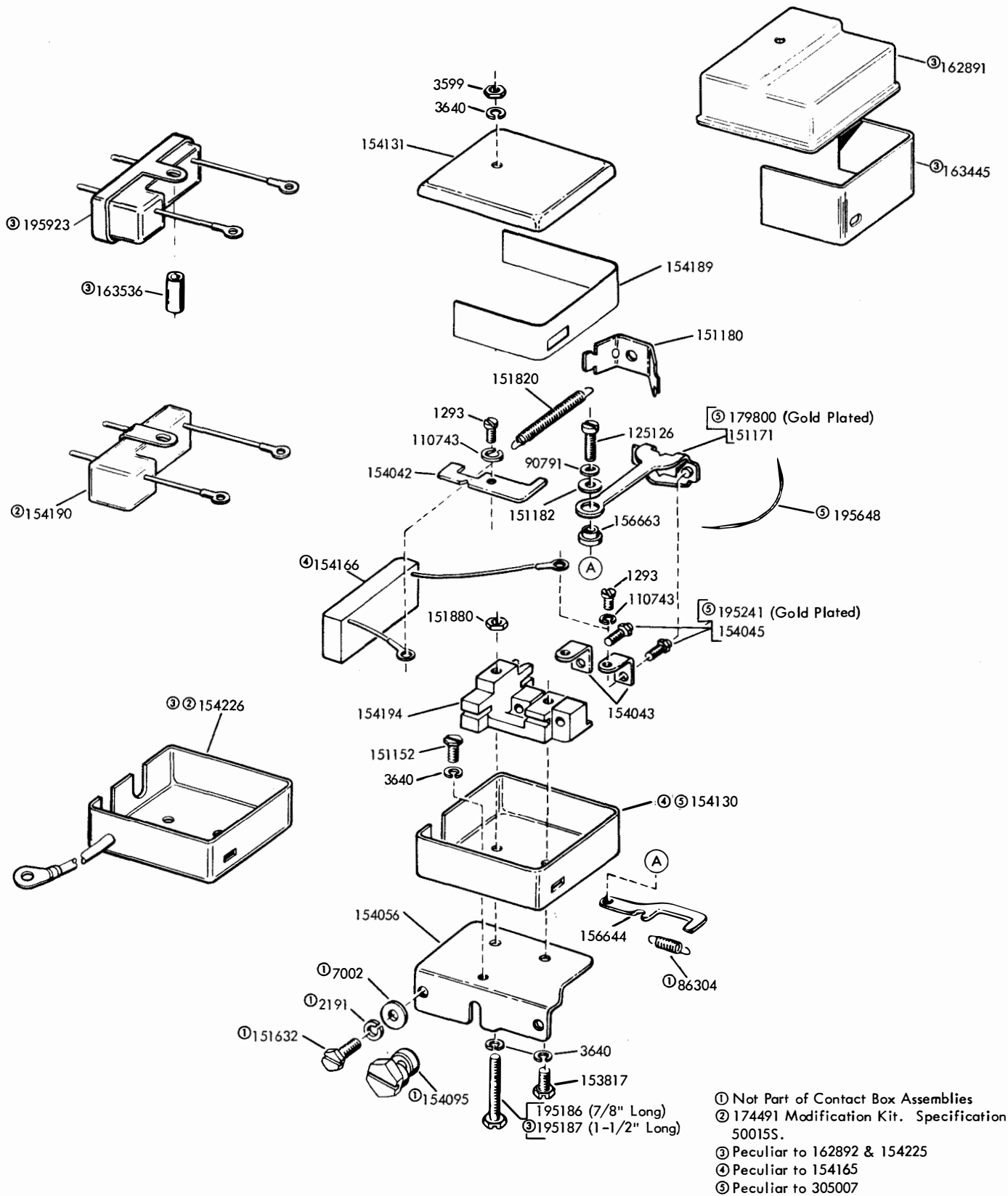
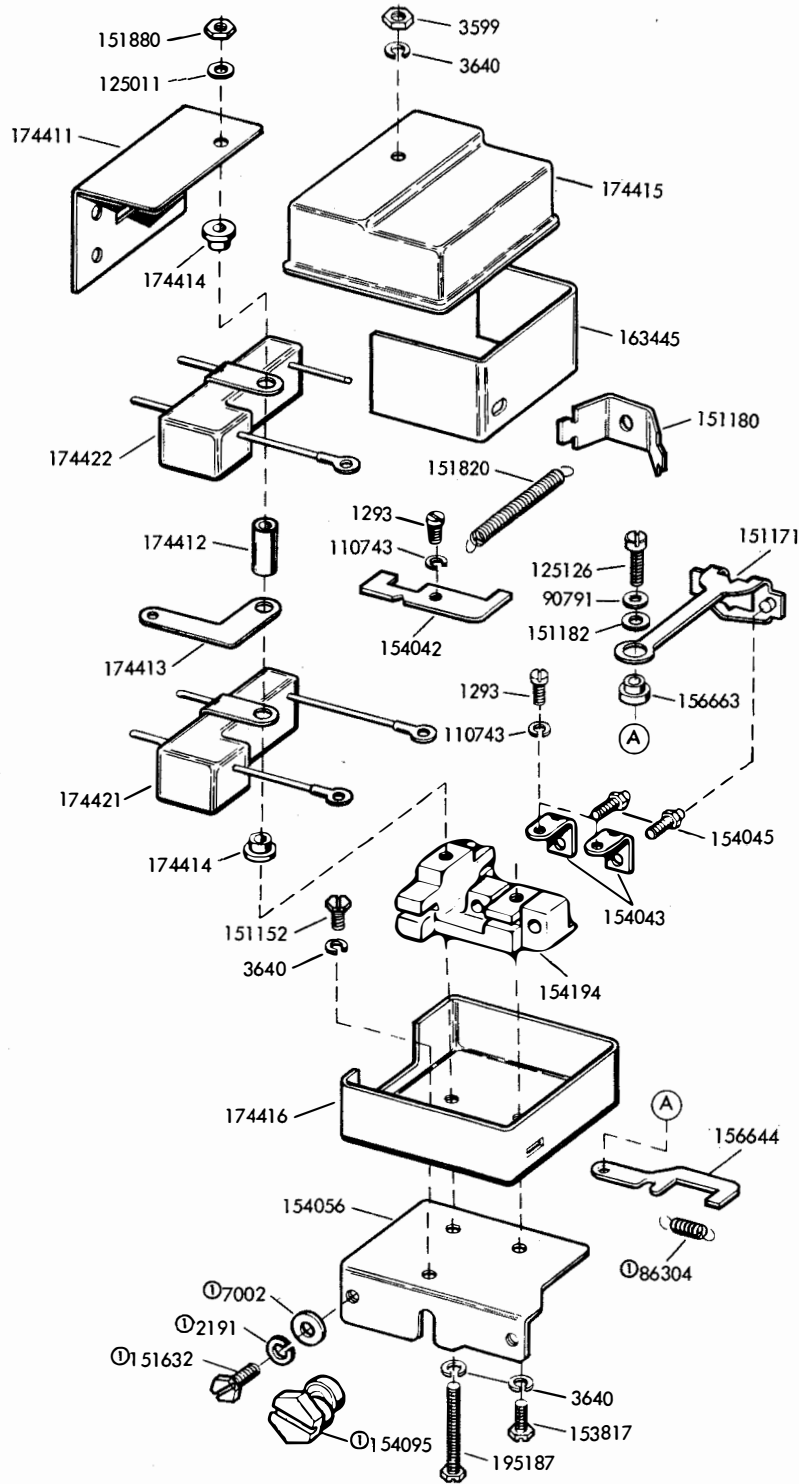


FIGURE 50. 154165 (W/ARC SUPPRESSION), 154225 (W/RF SUPPRESSION-NEUTRAL TRANSMISSION), 162892 (W/RF SUPPRESSION-POLAR TRANSMISSION) AND 305007 (POLAR TRANSMISSION-W/GOLD PLATED CONTACTS) CONTACT BOX ASSEMBLIES (MARK III)



ⓐ Not Part of 174410 Assembly

FIGURE 51. 174410 CONTACT BOX ASSEMBLY W/RF SUPPRESSION AND SHIELDED SIGNAL LINES-POLAR TRANSMISSION (MARK III)

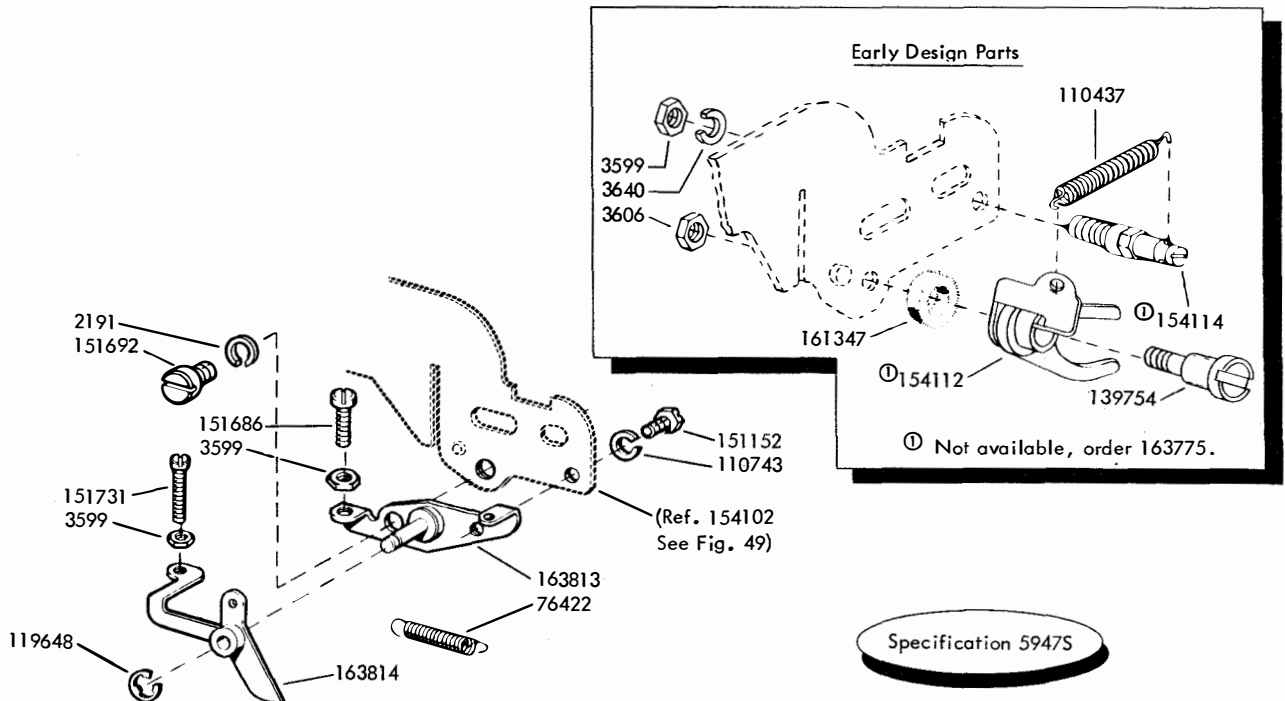


FIGURE 52. 163775 MODIFICATION KIT TO PROVIDE REPEAT ON SPACE MECHANISM (MARK III)

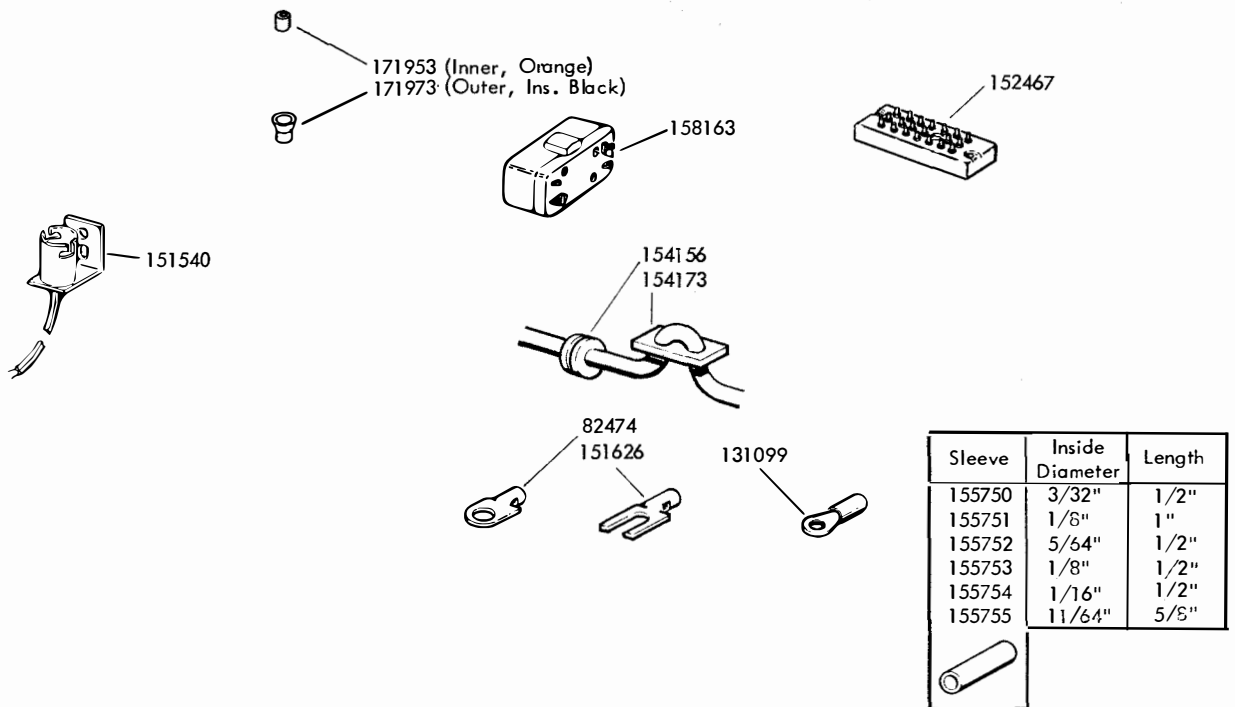


FIGURE 53. KEYBOARD CABLE COMPONENTS

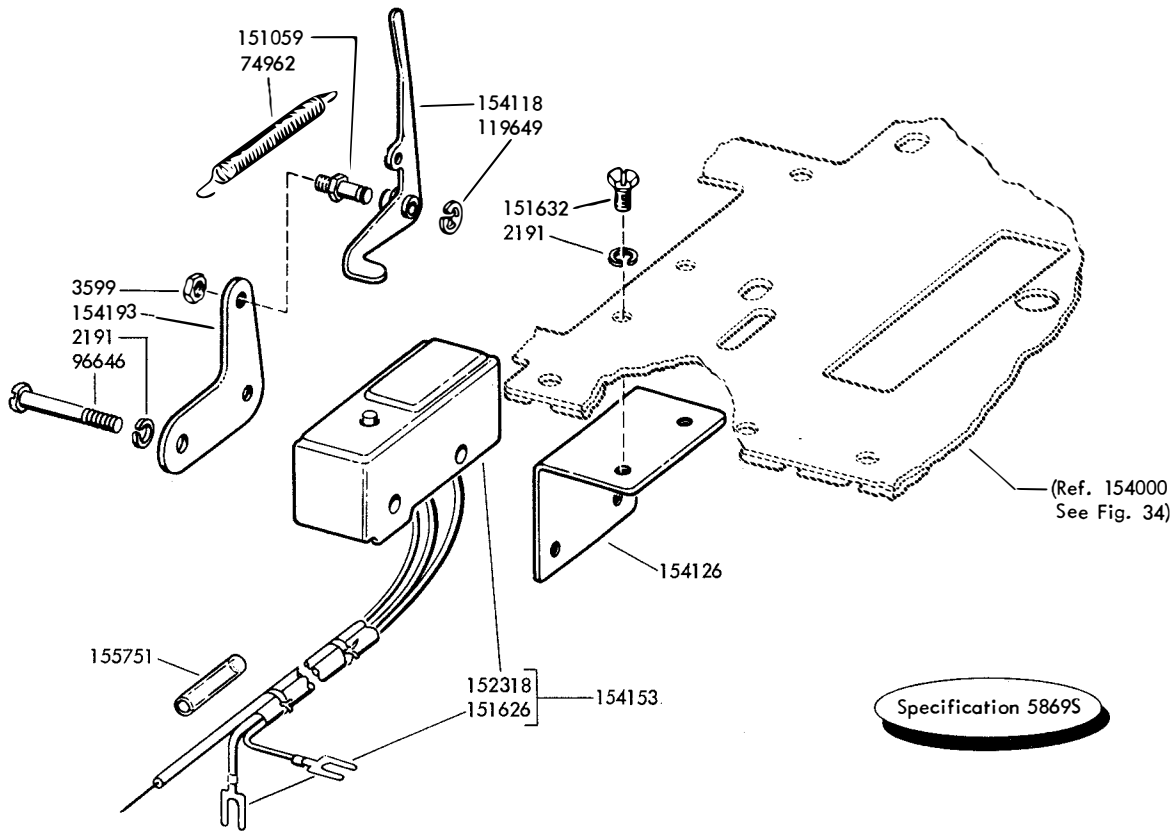


FIGURE 54. 154147 MODIFICATION KIT TO PROVIDE LOCAL PAPER FEED-OUT MOTOR STARTING MECHANISM (MARK III)

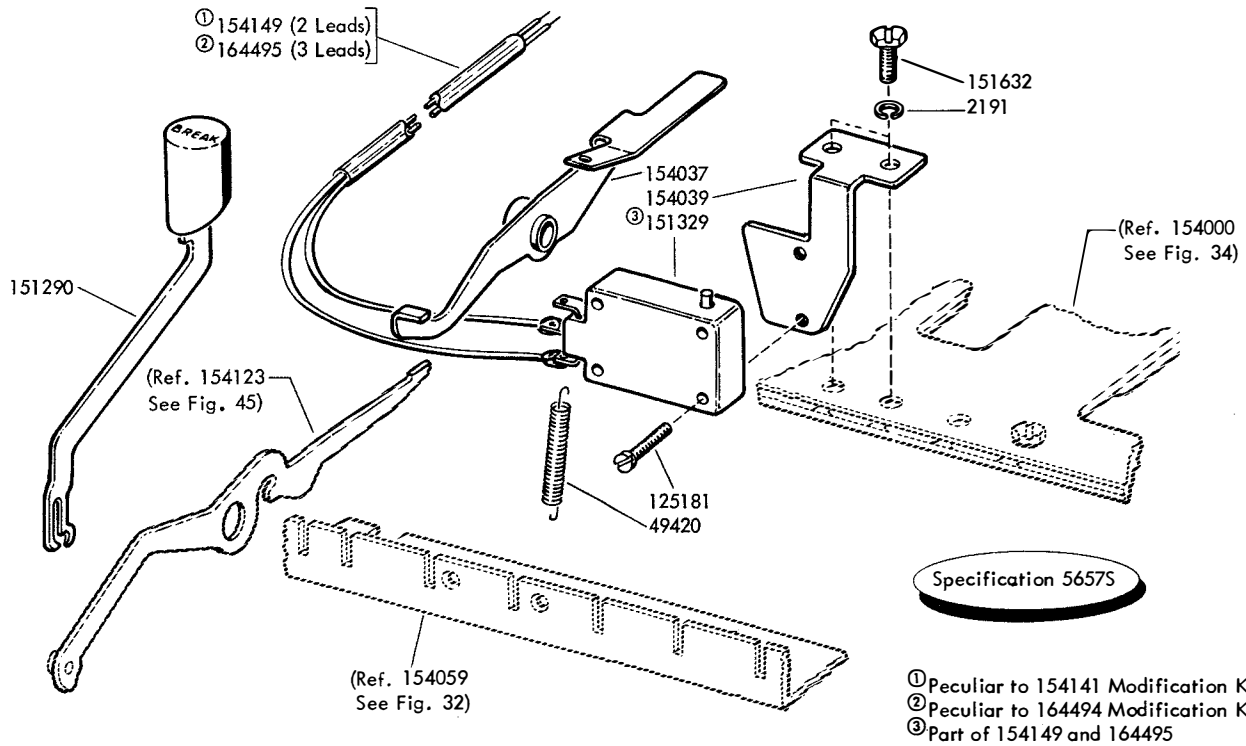


FIGURE 55. 154141 (NEUTRAL TRANSMISSION) AND 164494 (POLAR TRANSMISSION) MODIFICATION KITS TO PROVIDE ELECTRICAL SIGNAL LINE BREAK MECHANISM (MARK III)

- ① Peculiar to 154141 Modification Kit
- ② Peculiar to 164494 Modification Kit
- ③ Part of 154149 and 164495

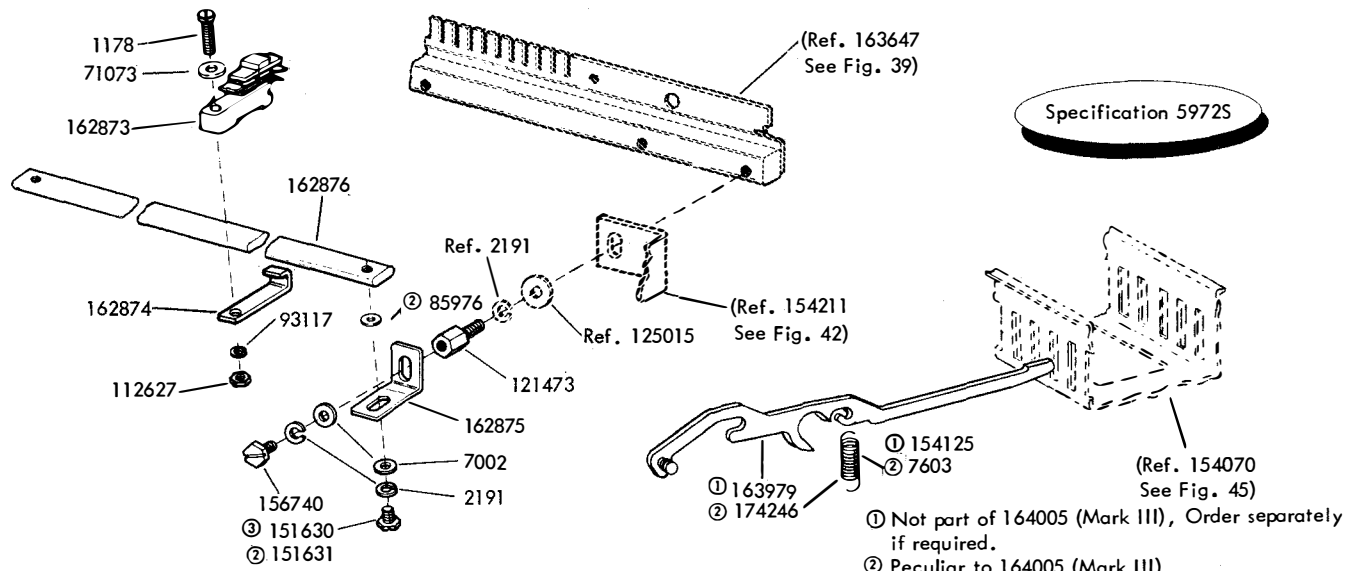


FIGURE 56. 164005 (FOR MARK III) AND 164077 (FOR MARK II) MODIFICATION KITS TO PROVIDE UNIVERSAL KEYBOARD SWITCH

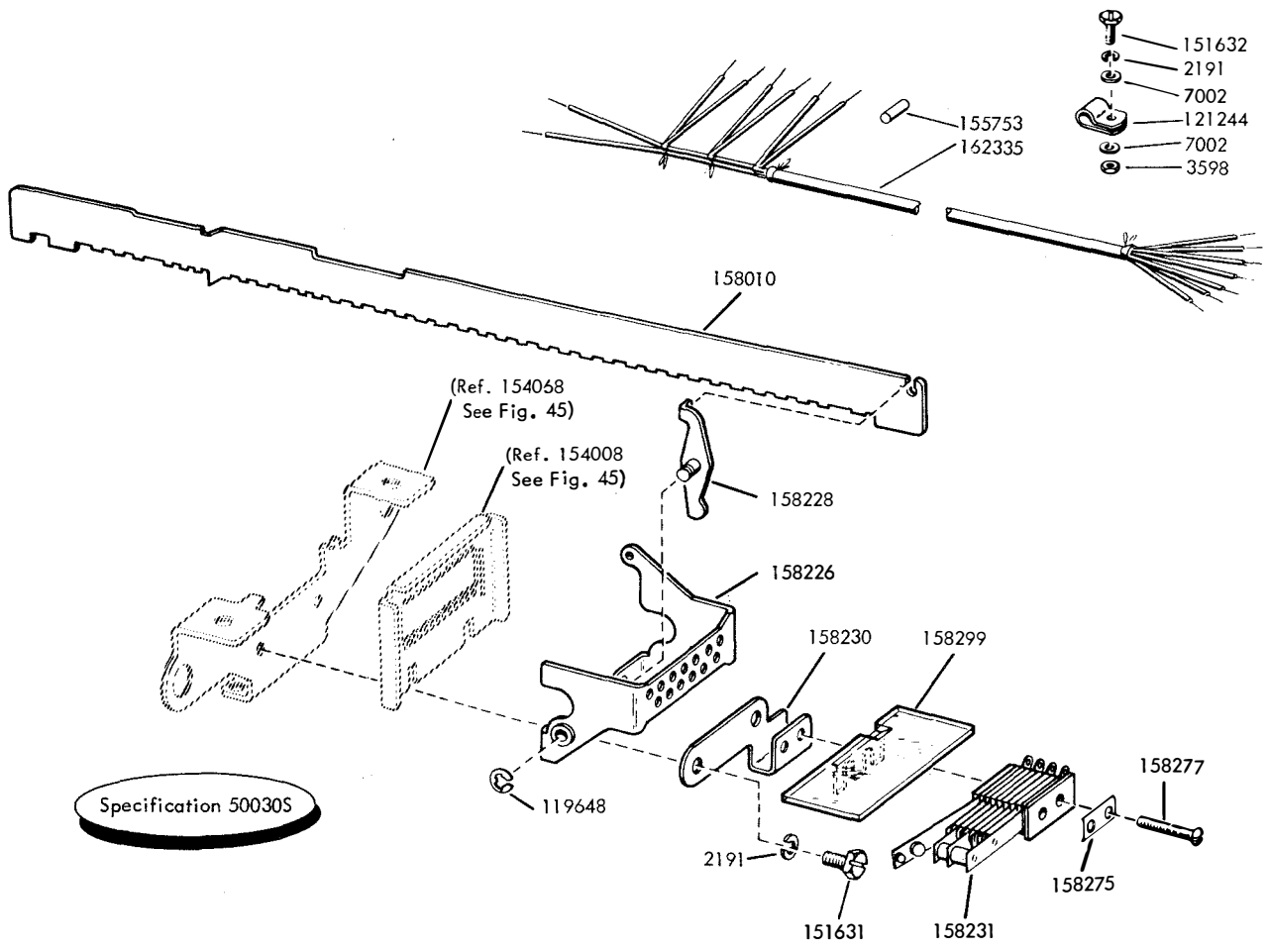


FIGURE 57. 162224 MODIFICATION KIT TO ADD LOCK BAR CONTACT TO KEYBOARD (MARK III)

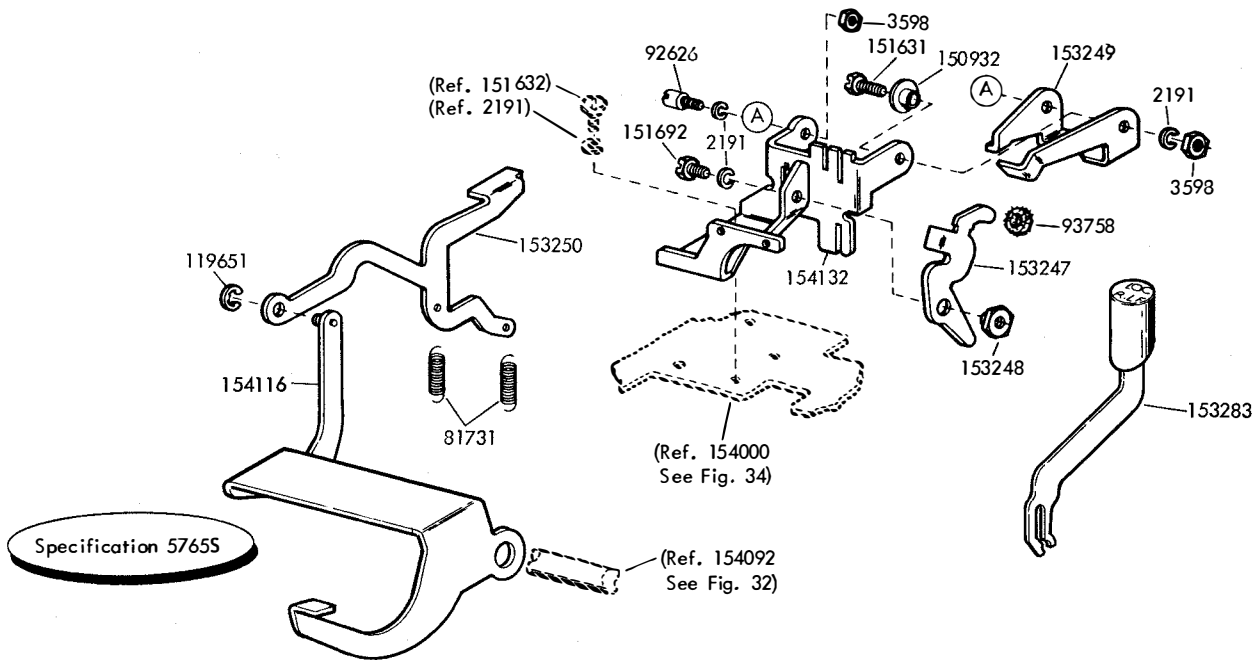


FIGURE 58. 154145 MODIFICATION KIT TO PROVIDE LOCAL REVERSE LINE FEED MECHANISM (MARK III)

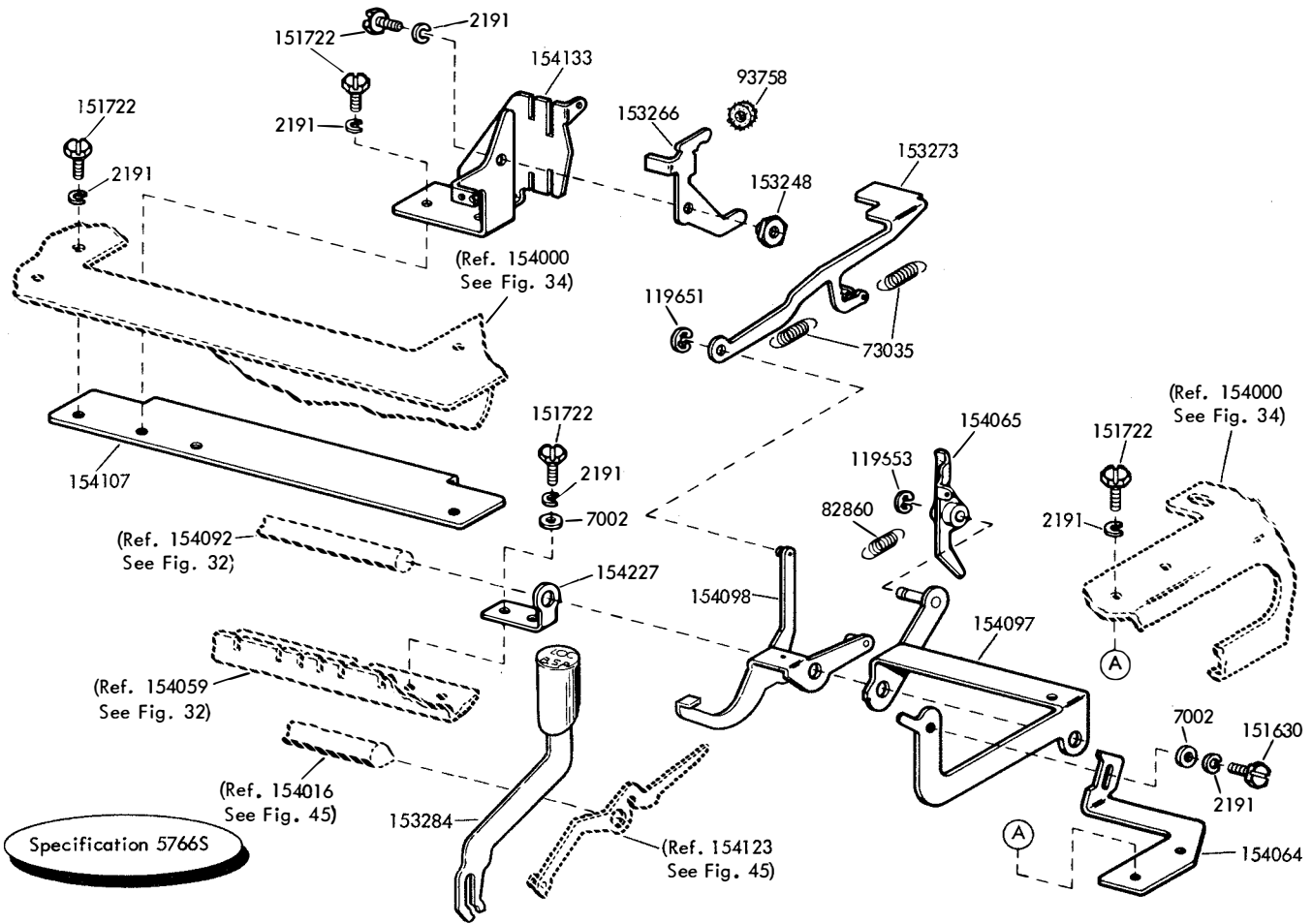
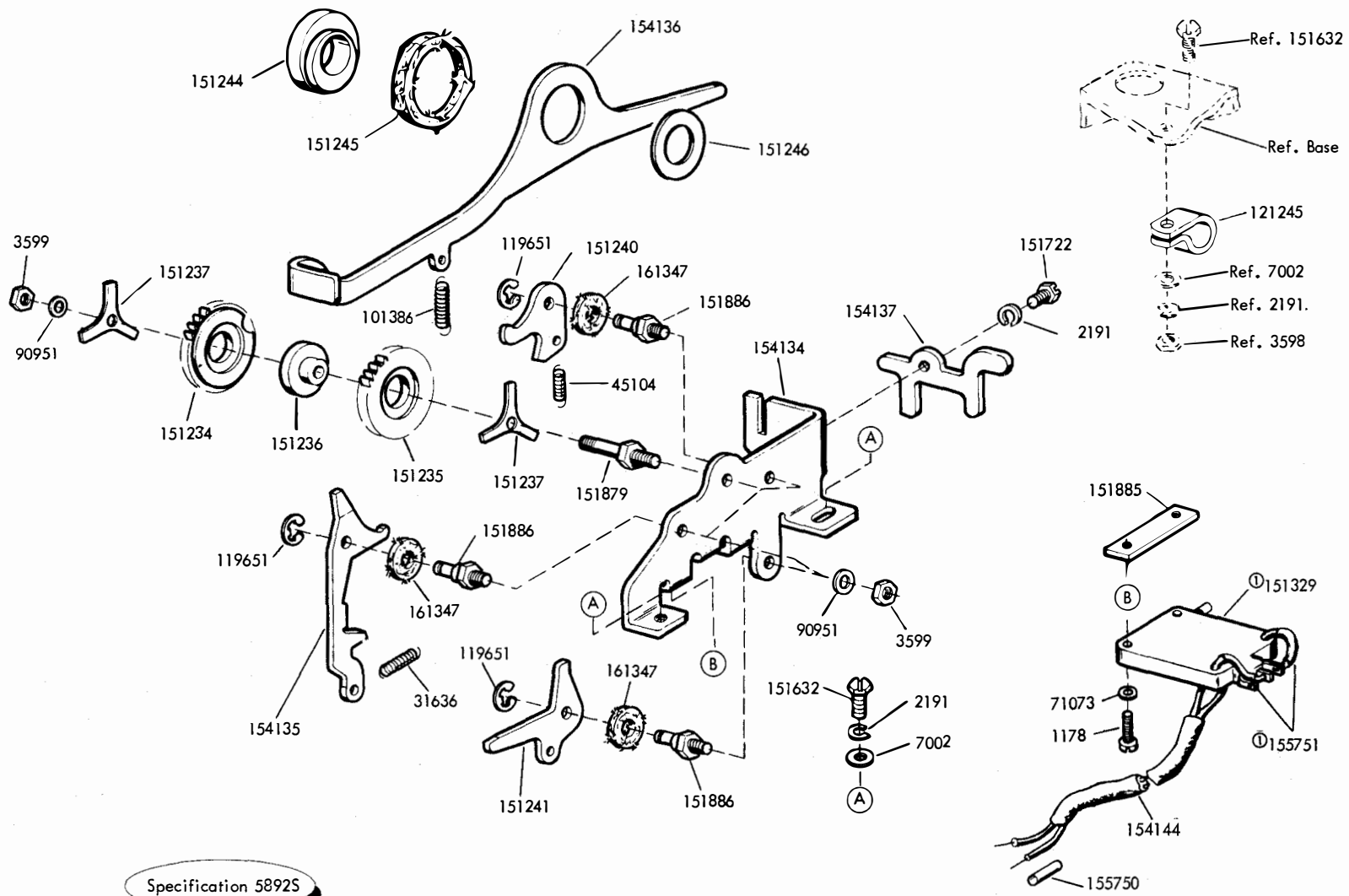


FIGURE 59. 154146 MODIFICATION KIT TO PROVIDE LOCAL BACK SPACE MECHANISM (MARK III)

FIGURE 60. 154142 MODIFICATION KIT TO PROVIDE KEYBOARD WITH TIME DELAY MECHANISM
(MARK III)



Specification 5892S

ⓐ Part of 154144

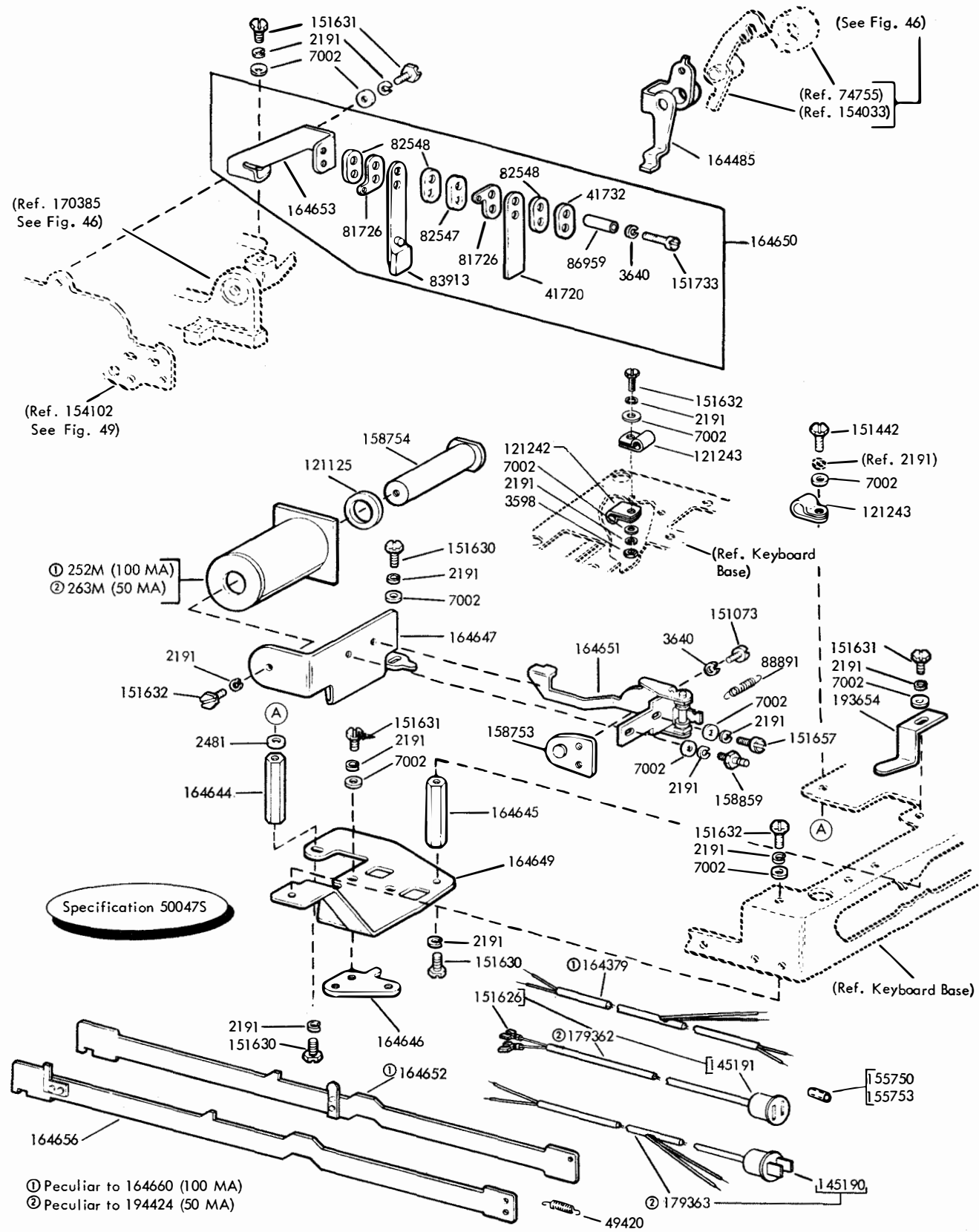


FIGURE 61 164660 (100 MA) and 194424 (50 MA) MODIFICATION KITS TO PROVIDE SYNCHRONOUS PULSED TRANSMISSION (MARK III)

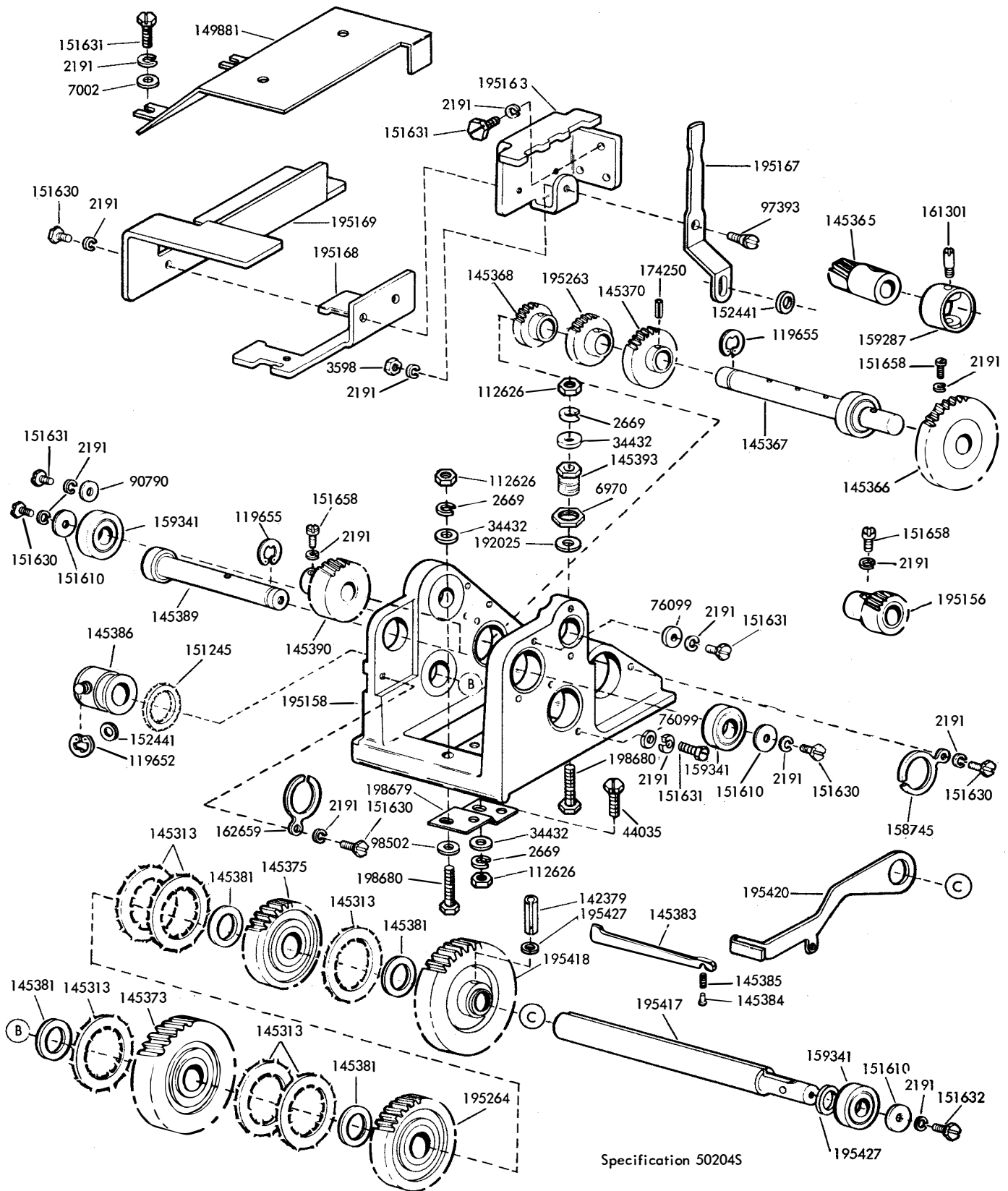


FIGURE 62. 195415 MODIFICATION KIT TO PROVIDE A THREE SPEED GEAR SHIFT (60, 67 and 100 WPM, 7.42 UNIT CODE)

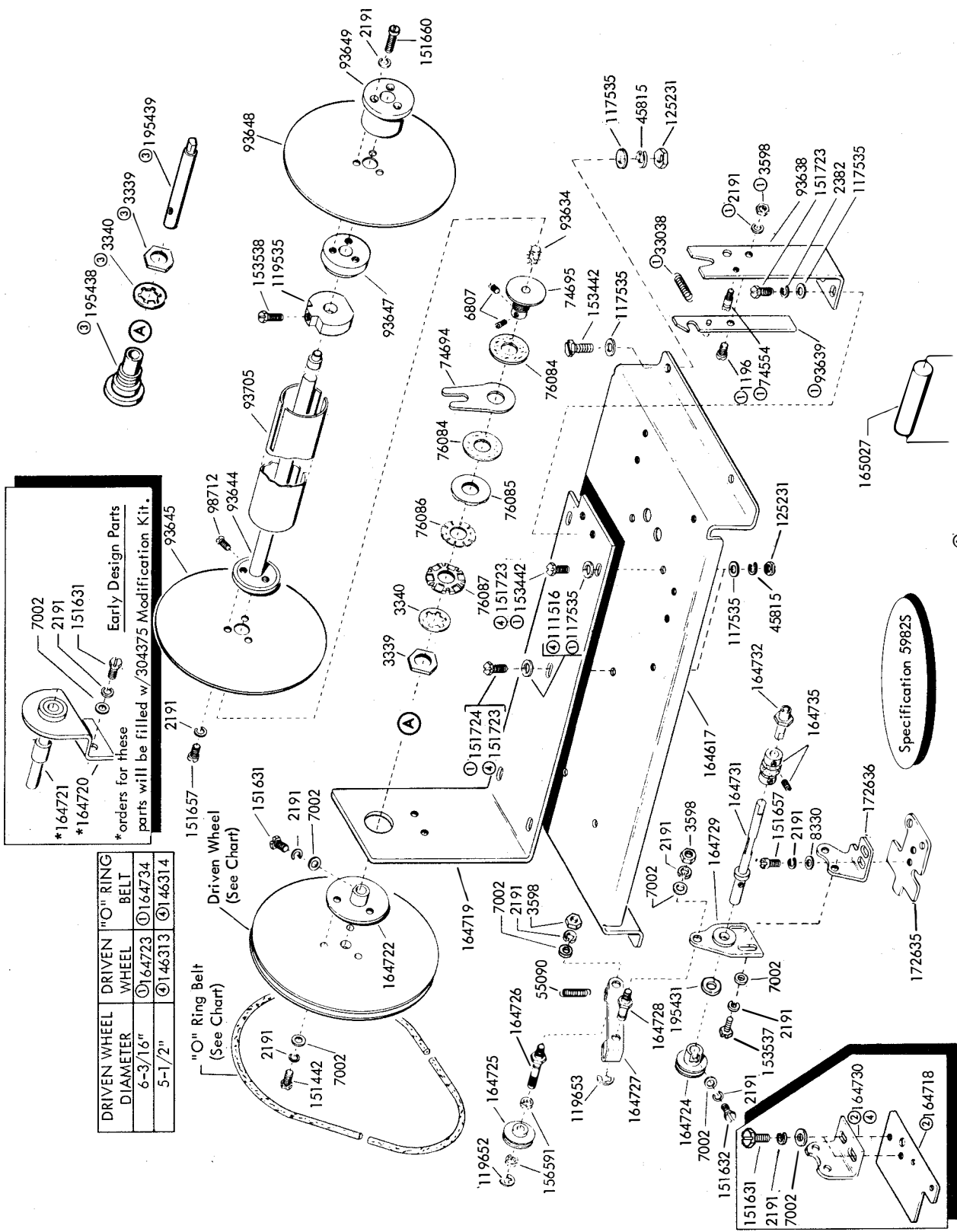
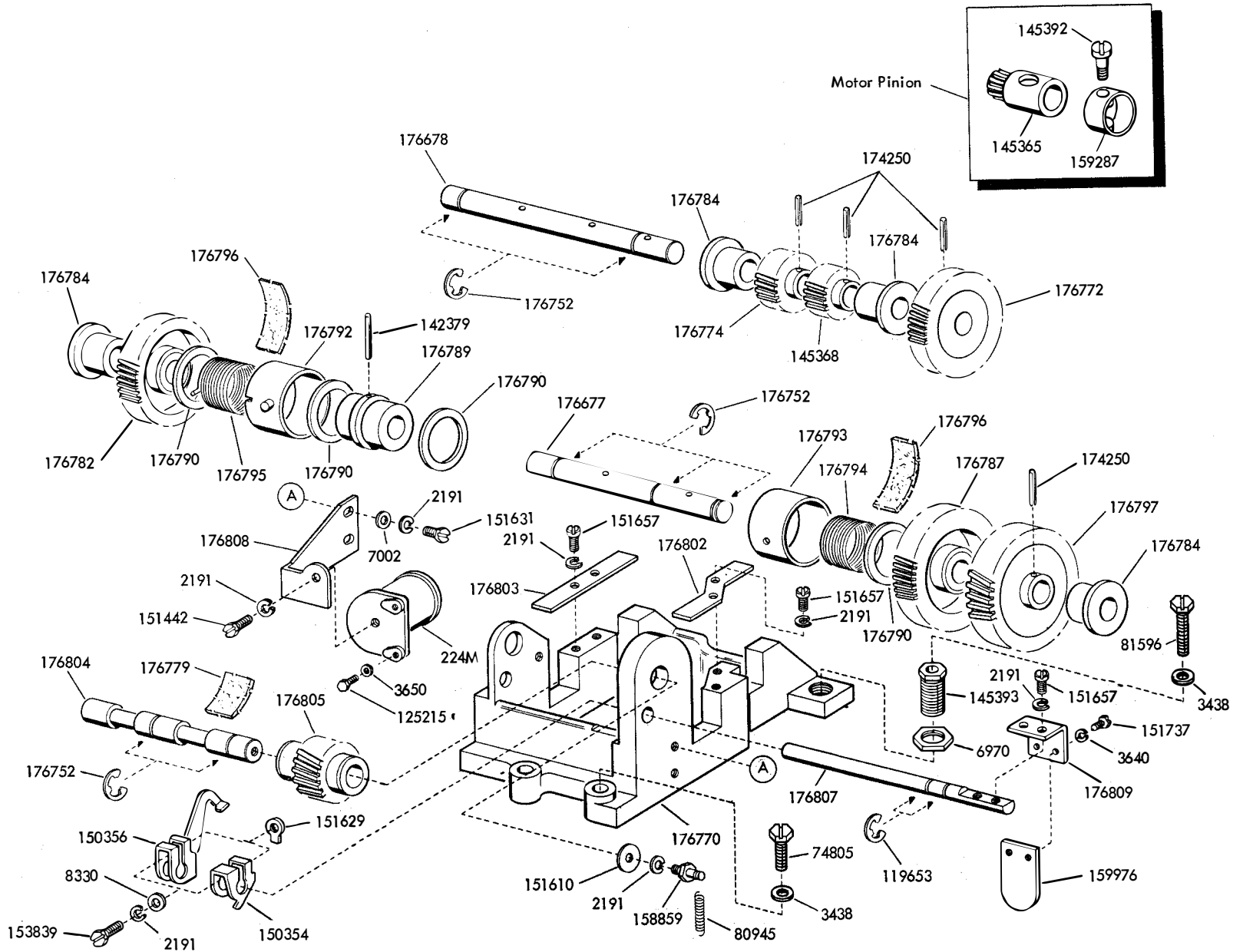
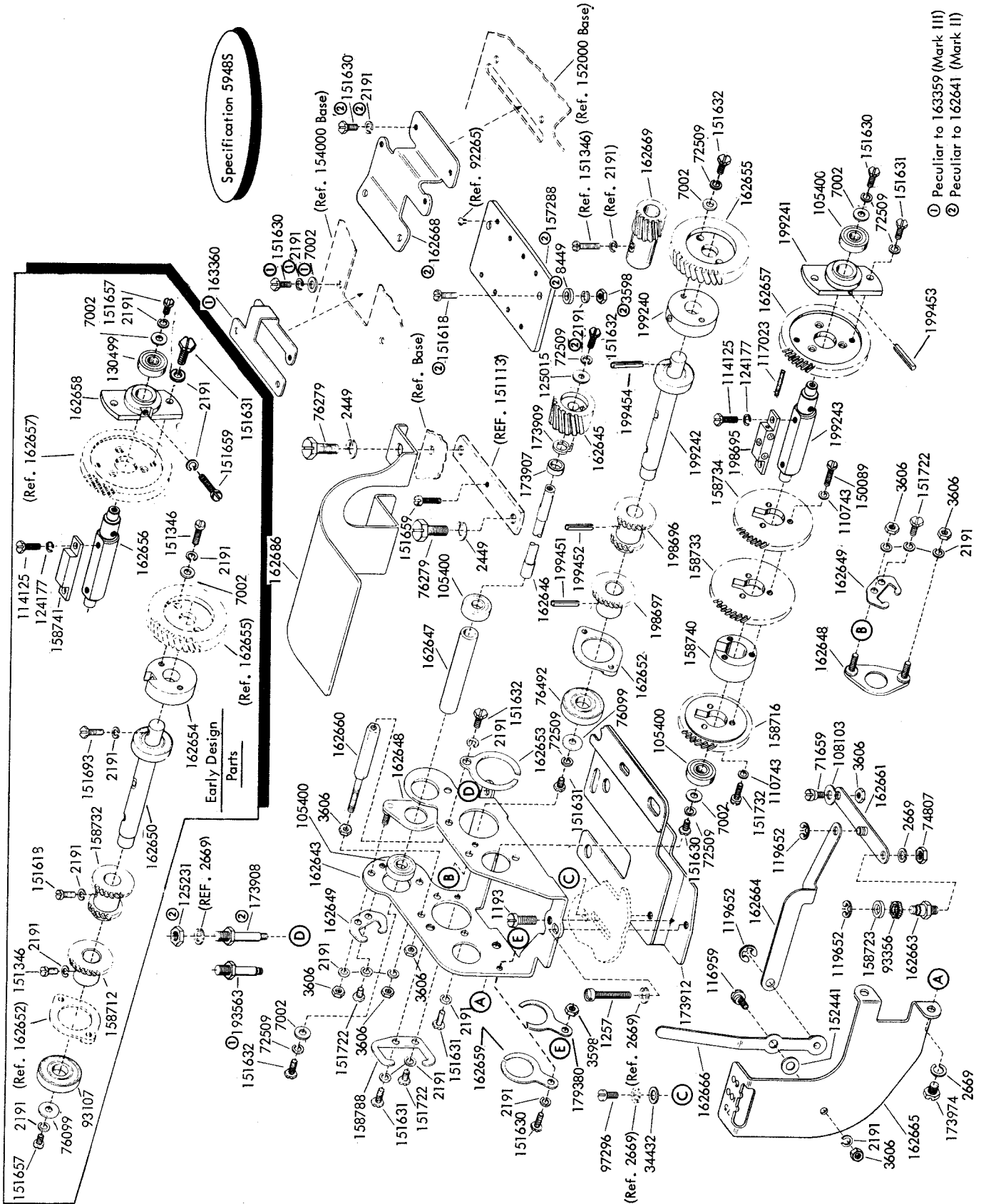


FIGURE 63. 164926 AND 146320 MODIFICATION KITS TO PROVIDE PAPER WINDING FACILITIES FOR SEND-RECEIVE AND RECEIVE-ONLY BASES MOUNTED IN AN APPARATUS CABINET

FIGURE 64. REMOTE CONTROLLED SHIFT GEAR MECHANISM
(60 AND 100 WPM, 7.42 UNIT CODE)





⊙ Peculiar to 163359 (Mark III)
 ⊙ Peculiar to 162641 (Mark II)

FIGURE 65. 162641 (MARK II) AND 163359 (MARK III) MODIFICATION KITS TO PROVIDE VARIABLE SPEED GEAR SHIFT MECHANISM (60, 75 AND 100 WPM, 7.42 UNIT CODE)

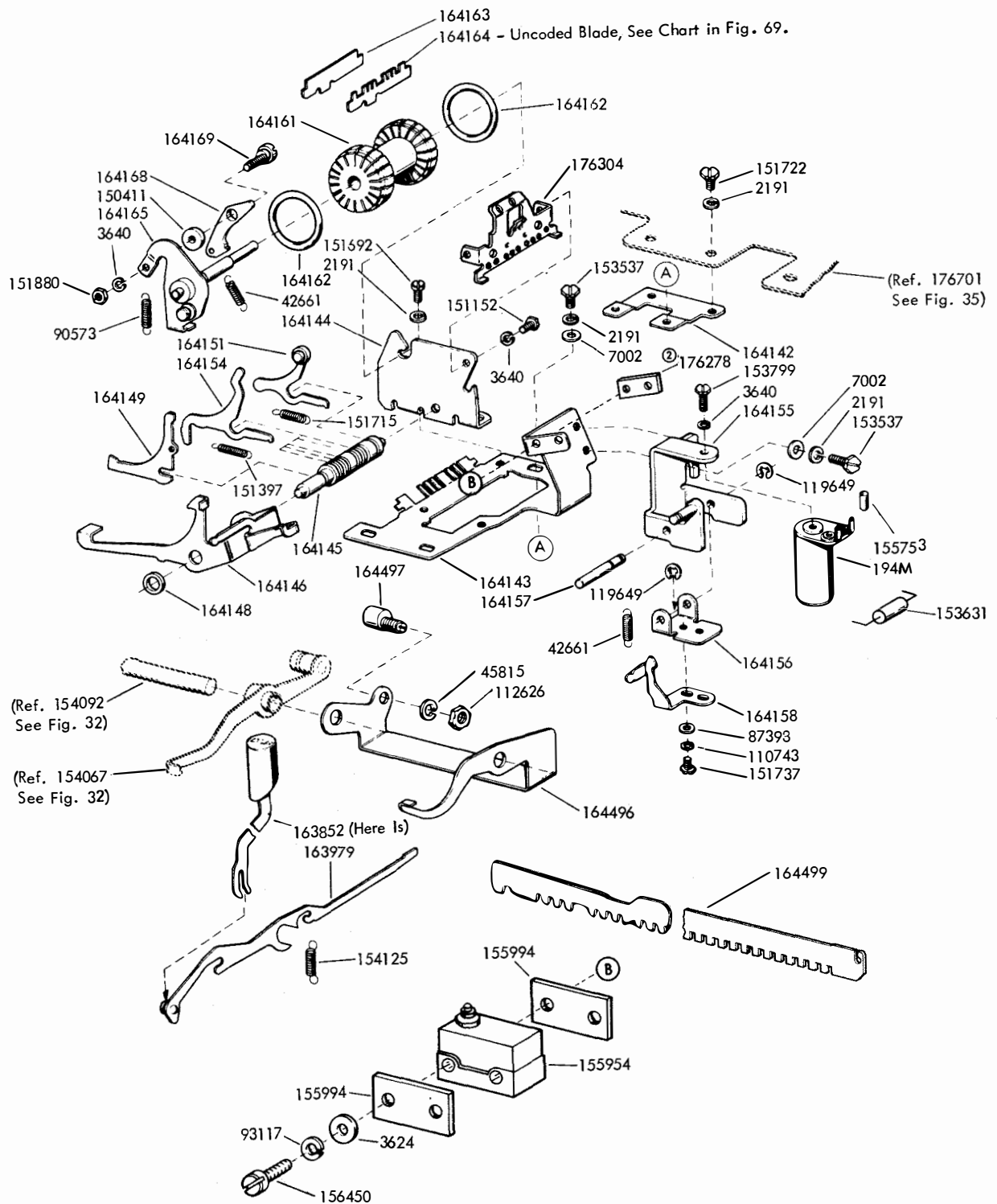
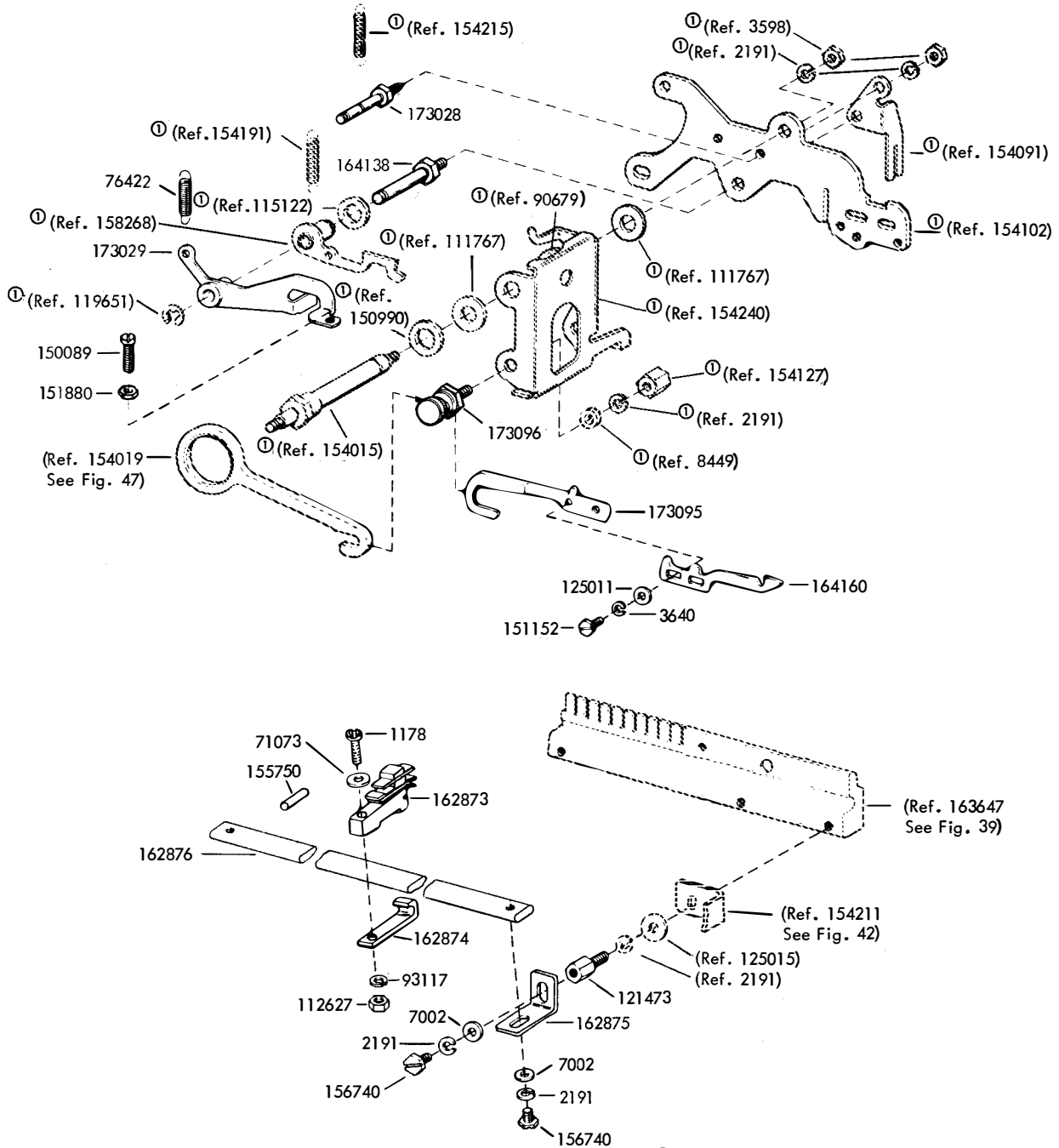


FIGURE 66. ANSWER-BACK MECHANISM



① These reference parts are shown on figure 49

FIGURE 67. ANSWER-BACK MECHANISM (CONTINUED)

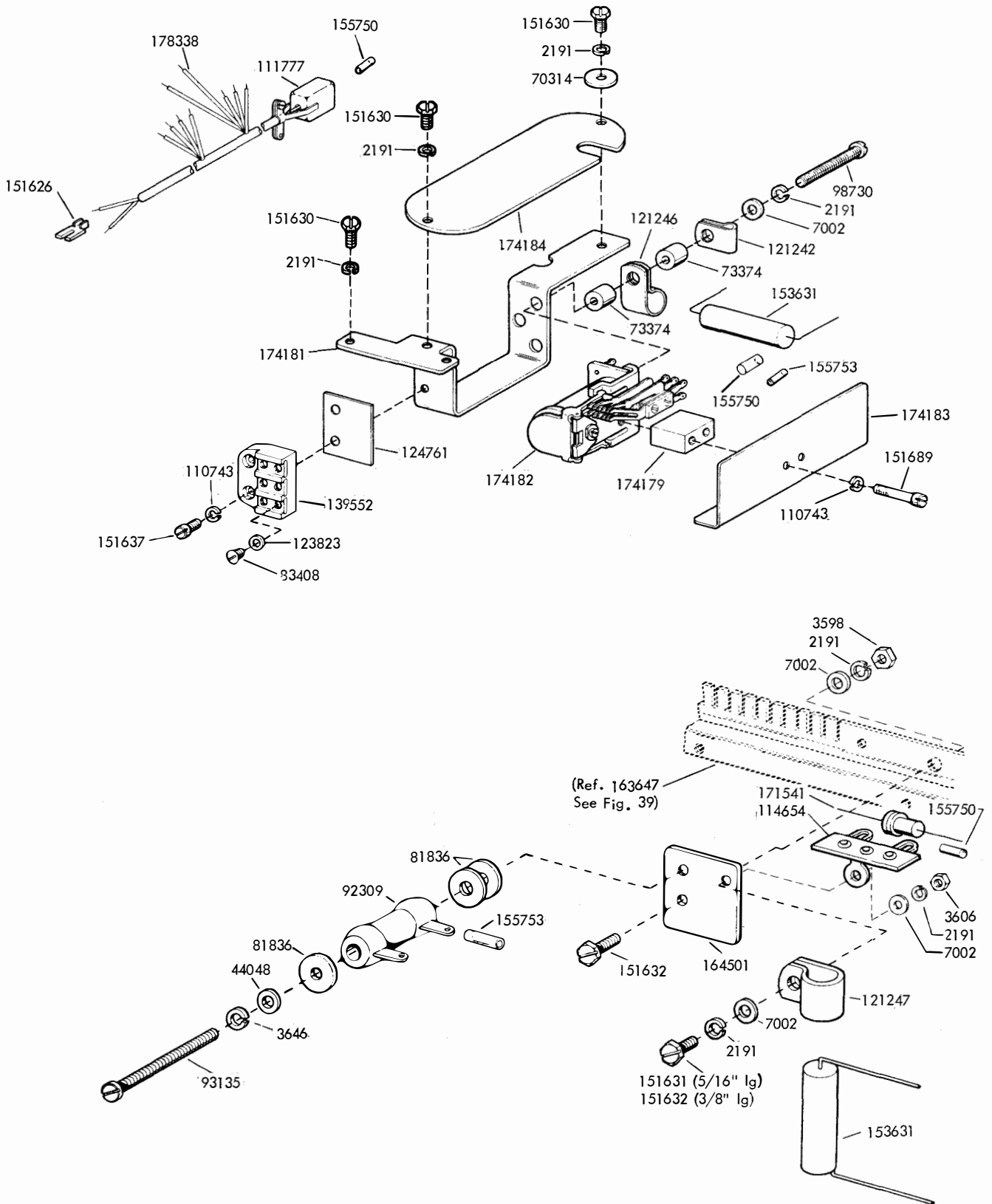
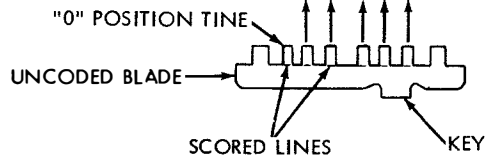


FIGURE 68. ANSWER-BACK MECHANISM (CONTINUED)

Character	Code				
	1	2	3	4	5
A	X	X			
B	X			X	X
C		X	X	X	
D	X			X	
E	X				
F	X		X	X	
G		X		X	X
H			X		X
I		X	X		
J	X	X		X	
K	X	X	X	X	
L		X			X
M			X	X	X
N			X	X	
O				X	X
P		X	X		X
Q	X	X	X		X
R		X		X	
S	X		X		
T					X
U	X	X	X		
V		X	X	X	X
W	X	X		X	X
X	X		X	X	X
Y	X		X		X
Z	X				X
CARRIAGE RETURN				X	
LINE FEED		X			
LETTERS SHIFT	X	X	X	X	X
FIGURES SHIFT	X	X		X	X
SPACE			X		
BLANK					

— LEAVE TIME
 — REMOVE TIME



Coding Instructions for the Code Blades used in the Answer Back Feature on an LK Keyboard Base.

FIGURE 69. CODING KEYBOARD ANSWER-BACK DRUM BLADE

NUMERICAL INDEX

Part Number	Description and Page Number	Part Number	Description and Page Number	Part Number	Description and Page Number
194M	Coil, Magnet 57	8449	Spacer, .094" Thk 44, 56, 58	81731	Spring 25, 50
224M	Coil, Magnet 55	27263	Screw, 5-40 x 7/16 Hex 27	81774	Washer, Flat 37
247M	Coil, Magnet 33	31636	Spring 15, 23, 27, 51	81836	Washer, Insulating 59
252M	Coil, Magnet 52	33038	Spring 54	82463	Spring 19
263M	Coil, Magnet 52	34432	Washer, Flat 5, 53, 56	82474	Terminal 11, 47
1020	Screw, 6-40 x 1/4 Hex 43	41325	Nut, 5-40 Hex 27	82547	Insulator, .094" Thk 43, 52
1028	Screw, 4-40 x 1/4 Fil 33	41663	Washer, Flat 5	82548	Insulator, .062" Thk 43, 52
1047	Screw, 6-40 Shoulder 11, 21	41720	Spring, Contact 52	82860	Spring 24, 50
1164	Screw, 2-56 x 3/16 Fil 18, 30	41732	Plate, Clamp 28, 52	83408	Screw, 4-40 x 3/16 Rd 59
1178	Screw, 2-56 x 7/16 Fil 23, 49, 51, 58	41733	Insulator, .062" Thk 28	83913	Spring, Contact 52
1193	Screw, 10-32 x 7/8 Fil 56	42661	Spring 6, 28, 57	85957	Washer, Flat 9
1196	Screw, 6-40 Shoulder 54	42823	Washer, Flat 6, 16, 42	85976	Washer, Flat 49
1210	Screw, 2-56 x 5/8 Fil 31	43954	Bell 33	86079	Washer, Flat 18
1257	Screw, 10-32 x 1-1/8 Fil 56	44035	Screw, 10-32 x 9/16 Hex 53	86304	Spring 45, 46
1293	Screw, 4-40 x 1/8 Fil 45, 46	44048	Washer, Flat 59	86720	Post, Spring 15
2034	Washer, Flat 15, 17, 18, 30	45104	Spring 23, 51	86742	Nut, 4-40 Hex 17, 21, 44
2191	Washer, Lock 4 to 11, 15, 16, 19, 21, 23, 24, 25, 27, 28, 30 to 34, 36 to 41, 43 to 59	45815	Washer, Lock 54, 57	86835	Spring 4, 31, 33
2247	Washer, Flat 18	49420	Spring 15, 29, 40, 48, 52	86959	Bushing, Insulating 52
2382	Washer, Lock 54	49653	Screw, 10-32 x 13/16 Fil 34	87398	Washer, Flat 57
2415	Spring 40	55090	Spring 54	87401	Spring 28
2449	Washer, Lock 4, 33, 56	55219	Screw, 8-32 x 3/8 Fil 33	88891	Spring 52
2481	Washer, Flat 52	55669	Spring 4, 20, 31	89897	Nut, 10-32 Hex 27
2597	Washer, Flat 18	70071	Washer, Lock 27	90260	Spring 15
2669	Washer, Lock 5, 8, 15, 16, 31 to 34, 41, 53, 56	70314	Washer, Flat 59	90573	Spring 18, 57
3339	Nut, 9/16-32 Hex 54	70388	Spring 6, 43	90599	Shim, .008" Thk 28
3340	Washer, Lock 54	71073	Washer, Flat 15, 23, 49, 51, 58	90606	Spring 35
3438	Washer, Flat 8, 9, 31 to 34, 55	71659	Screw, 6-40 Shoulder 56	90679	Washer, Felt 15, 44, 58
3595	Nut, 1/4-32 Hex 15, 33	72509	Washer, Lock 56	90714	Washer, Flat 5
3598	Nut, 6-40 Hex 4, 6, 10, 11, 15, 21, 23, 25, 27, 30, 31, 33, 35, 36, 37, 39, 41, 43, 44, 49, 50 to 54, 56, 58, 59	72563	Washer, Felt 16	90790	Washer, Flat 53
3599	Nut, 4-40 Hex 4, 6, 9, 10, 15, 17, 18, 20, 23, 31, 45 to 48, 51	73008	Washer, Flat 15	90791	Washer, Lock 5, 15, 18, 30, 45, 46
3606	Nut, 6-40 Hex 10, 28, 44, 47, 56, 59	73035	Spring 24, 50	90951	Washer, Lock 23, 51
3624	Washer, Flat 57	73180	Switch, SP Toggle 12	91228	Strap, 2-1/2" Braided 33
3640	Washer, Lock 10, 12, 28, 31, 33, 35, 36, 43, 45, 46, 47, 52, 55, 57, 58	73374	Spacer, .250" Thk 59	91229	Strap, 2" Braided 33
3646	Washer, Lock 18, 33, 59	73497	Plug, Red Shell 5	91683	Nut, 15/32-32 Hex 12, 22, 29, 38
3650	Washer, Flat 55	73844	Washer, Flat 17	91684	Nut, 15/32-32 Ring 12, 22, 29, 38
3870	Spring 31, 40, 41	73894	Screw, 6-40 Set 5	91765	Spacer 15
3949	Spacer, .160" Thk 5	74291	Bracket, Spring 28	91904	Washer, Flat 10
4702	Spring 41	74554	Post, Spring 54	92265	Screw, 2-56 x 1/8 Rd 56
4703	Spring 9, 33	74694	Arm 54	92309	Resistor, 400 Ohm 59
4707	Washer, Flat 27	74695	Sleeve, Clutch 54	92626	Stud 25, 50
4809	Wick, Felt 6	74722	Washer, Flat 19	92668	Post, Spring 15
5475	Nut, 3/16-40 Hex 15	74727	Terminal, Contact 43	93075	Ring, Shoulder 12
5599	Nut, 8-32 Hex 5	74728	Terminal, Contact 28	93082	Extension 21
6342	Wire, 1" Lg 26	74755	Washer, Felt 41, 52	93107	Bearing, Ball 56
6807	Screw, 6-40 Set 54	74805	Screw, 10-32 x 3/4 Hex 5, 34, 41, 55	93117	Washer, Lock 27, 28, 49, 57, 58
6970	Nut, 3/8-32 Hex 53, 55	74807	Nut, 10-32 Shoulder Hex 56	93118	Washer, Lock 18, 30, 31
7002	Washer, Flat 4 to 7, 10, 11, 21, 23, 24, 25, 27, 30 to 33, 36 to 41, 43 to 46, 49 to 59	74962	Spring 48	93135	Screw, 8-32 x 1-3/4 Fil 59
7602	Spring, Compression 6	74965	Bushing, Insulating 28	93356	Washer, Felt 56
7603	Spring 6, 7, 24, 25, 44, 49	76081	Washer, Flat 40	93507	Screw, 4-40 x 3/4 Hex 43
7655	Spring 6	76084	Washer, Felt 54	93634	Wick, Felt 54
7965	Spring 6	76085	Disk, Friction 54	93638	Bracket, Bearing 54
8262	Knob 5	76086	Washer, Spring 54	93639	Latch w/Post 54
8330	Washer, Flat 5, 8, 34, 38, 39, 54, 55	76087	Nut, Friction 9/16-32 54	93644	Shaft 54
		76099	Washer, Flat 41, 53, 56	93645	Spindle, Left Paper 54
		76279	Screw, 1/4-32 x 5/8 Hex 56	93647	Hub, Right Paper Spindle 54
		76299	Spring 9	93648	Spindle, Right Paper 54
		76379	Spring 32	93649	Knob 54
		76422	Spring 47, 58	93705	Cylinder, Paper Spindle 54
		76492	Bearing, Ball 56	93758	Washer, Felt 17, 24, 25, 50
		77051	Post, Spring 28	94072	Bushing 34
		77063	Screw, 4-40 Stop 19	94665	Screw, 6-40 Shoulder 28
		78533	Spring 44	95499	Screw, 6-40 Pilot 23
		80581	Spring 19, 43	96646	Screw, 6-40 x 1-3/64 Fil 21, 48
		80945	Spring 55	97143	Jack 5
		81596	Screw, 10-32 x 1-3/8 Hex 55		
		81726	Terminal 52		

NUMERICAL INDEX (Continued)

Part Number	Description and Page Number	Part Number	Description and Page Number	Part Number	Description and Page Number
97296	Screw, 10-32 x 5/16 Fil 56	119648	Ring, Retaining 6, 15, 17, 18, 32, 43, 47, 49	145365	Pinion, 20T 53, 55
97393	Screw, 6-40 Shoulder 53			145366	Gear, 56T 53
98502	Washer, Flat 53	119649	Ring, Retaining 15, 17, 18, 21, 32, 48, 57	145367	Shaft, Drive 53
98712	Screw, 4-40 x 1/4 Flat 54			145368	Gear, 27T 53, 55
98730	Screw, 6-32 x 1-1/4 Rd 59	119650	Ring, Retaining 40	145370	Gear, 42T 53
99220	Spring, Compression 5	119651	Ring, Retaining 5, 8, 9, 15, 19, 23, 24, 25, 27, 31, 37, 43, 44, 50, 51, 58	145373	Gear, 66T 53
100149	Stud 11, 21			145375	Gear, 63T 53
101386	Spring 17, 41	119652	Ring, Retaining 5, 9, 15, 18, 24, 25, 41, 53, 54, 56	145381	Washer, Thrust 53
101714	Spring 28			145383	Key 53
101796	Washer, Felt 7, 15	119653	Ring, Retaining 29, 36, 50, 54, 55	145384	Pin, Guide 53
102057	Screw, 4-40 Shoulder 4, 20, 31			145385	Spring, Compression 53
102329	Spring, Contact 28	119654	Ring, Retaining 40	145386	Sleeve 53
102330	Spring, Contact 28	119655	Ring, Retaining 33, 53	145389	Shaft, Idler 53
104710	Ball, Bearing 10, 35, 36	120175	Plate, On-Off 12, 38	145390	Pinion, 25T 53
104751	Spring 5	120824	Washer, Flat 16, 42	145392	Post 55
104807	Washer, Flat 6, 28	120870	Wick, Felt 43	145393	Bushing 53, 55
104827	Bearing, Ball 8, 33, 34	121018	Nut, 4-40 Hex 5	146313	Wheel, Driven 54
105400	Bearing, Ball 56	121125	Washer, Spring 52	146314	Belt, "O" Ring 54
105551	Shell, Red 5	121242	Clamp, 1/8" ID Cable 5, 31, 52, 59	146320	Modification Kit 54
106047	Screw, 1/4-32 x 1/2 Hex 4	121243	Clamp, 3/16" ID Cable 4, 21, 30, 52	148128	Washer, Flat 35
107364	Screw, 6-32 x 3/8 Fil 39			149881	Cover, Gear 53
107398	Terminal 33	121244	Clamp, 1/4" ID Cable 11, 49	150013	Disk, Adjusting 16, 42
108007	Spacer, .040" Thk 28	121245	Clamp, 5/16" ID Cable 31, 51	150026	Lever, Shoe Release 16, 42
108102	Screw, 4-40 x 1/4 Flat 12, 38	121246	Clamp, 3/8" ID Cable 59	150028	Disk, w/Post 16
108103	Washer, Flat 56	121247	Clamp, 7/16" ID Cable 4, 59	150029	Wick, Flat 16, 42
108370	Washer, Felt 43	121473	Post 49, 58	150043	Shoe, Secondary Clutch 16, 42
108891	Screw, 6-40 x 3/16 Hex 24	121539	Terminal 33	150044	Shoe, Primary Clutch 16, 42
108949	Stiffener 28	122057	Switch, Sensitive 19, 28	150089	Screw, 4-40 x 1/2 Fil 5, 6, 56, 58
110191	Washer, Lock 5	123823	Washer, Flat 59	150241	Spring 16, 42
110434	Screw, 4-40 x 3/16 Fil 4, 6, 20, 33	124177	Washer, Lock 56	150354	Arm, Trip 55
		124244	Washer, Felt 32	150356	Lever, Trip 55
110435	Nut, 4-40 Hex 6, 18, 30, 33	124610	Plug 5	150411	Washer, Flat 57
110436	Spring 23	124761	Plate, Insulating 59	150923	Washer, Felt 32, 43, 44
110437	Spring 40, 47	124999	Switch, Sensitive 27	150932	Bushing, Shoulder 25, 50
110475	Screw, 2-64 x 5/64 Rd 5	125011	Washer, Flat 5, 6, 18, 35, 41, 46, 58	150966	Insulator 4, 31, 33
110476	Screw, 4-48 x 5/64 Fil 5	125015	Washer, Flat 27, 28, 33, 37, 39, 44, 49, 56, 58	150990	Washer, Felt 44, 58
110743	Washer, Lock 4 to 7, 9, 10, 15 to 18, 20, 28, 30, 35, 41, 42, 45, 46, 47, 56, 57, 59	125112	Screw, 2-56 x 1/8 Fil 43	150991	Washer, Felt 40, 41
		125122	Screw, 2-56 x 3/4 Fil 27	151008	Lever, Latch 6
111017	Screw, 6-40 x 5/16 Fil 4, 5, 31, 32, 33	125126	Screw, 2-56 x 9/32 Fil 18, 30, 45, 46	151013	Bail, Space Bar 10
				151014	Link, 10
111342	Spring 15	125181	Screw, 2-56 x 3/8 Fil 4, 19, 20, 21, 48	151016	Bearing, Roller 15
111343	Clamp, Retaining 10, 35			151018	Stud 15
111409	Screw, 4-40 x 7/32 Fil 28	125215	Screw, 4-40 x 3/16 Hex 55	151023	Guide, Code Bar 6
111516	Washer, Flat 54	125231	Nut, 10-32 Hex 33, 54, 56	151025	Lever, Detent 17
111767	Washer, Flat 15, 33, 44, 58	125241	Spring 21	151026	Arm, Toggle Detent 17
111777	Connector, 4 Pt Receptacle 59	125268	Spring 17	151030	Shaft, Code Lever 6
112127	Hinge 43	128002	Screw, 2-56 x 3/16 Fil 15	151032	Bellcrank 6
112128	Retainer 43	128357	Ring, Retaining 30	151036	Screw, 4-40 Shoulder 6, 10, 44
112626	Nut, 10-32 Hex 8, 15, 16, 33, 41, 53, 57	130499	Bearing, Ball 56	151037	Lever, Flutter 17
		131099	Terminal, 5/8" Lg 33, 47	151038	Plate, Guide 15
112627	Nut, 2-56 Hex 21, 49, 58	139012	Solenoid, 85 Ohm 27	151039	Stud 15
112630	Spring 9, 31	139552	Block, Terminal 59	151041	Screw, 4-40 Pilot 15
112695	Connector, 3 Pt Plug 26	139555	Spring 11, 21	151043	Plate, Nut 6
113980	Washer, Flat 27, 28	139564	Nut, 3/8-32 Hex 12	151045	Bar, Spacing 10, 38, 39
114125	Screw, 6-40 x 3/8 Hex 56	139565	Washer, Flat 12	151051	Lever, Intermediate 17
114478	Nut, 15/32-32 Hex 12, 38	139754	Screw, 6-40 Shoulder 47	151052	Lever, Selector 18
114654	Strip, Terminal 59	142379	Pin, Roll 53, 55	151053	Lever, Transfer 18
115122	Washer, Felt 41, 44, 58	144871	Shaft, Solenoid Plunger 32	151054	Stud 15
116959	Screw, 6-40 Eccentric Shoulder 56	145190	Connector, 2 Pt Plug 52	151055	Post 18
117023	Wick, Felt 56	145191	Connector, 2 Pt Receptacle 52	151056	Stud 17
117416	Post 41	145307	Plate, Nut 32	151057	Screw, 1/4-32 Pilot 15
117535	Washer, Flat 54	145313	Washer, Felt 53	151059	Stud 17, 21, 48
117608	Nut, Speed 10, 11, 13, 27, 38	145318	Screw, 6-40 Spl 36	151060	Gear Set, 60 WPM 20
119467	Insulator, .032" Thk 27, 28			151062	Stud 18
119535	Bushing 54			151063	Spacer 16
119647	Ring, Retaining 15			151064	Plate, Rear 16

NUMERICAL INDEX (Continued)

Part Number	Description and Page Number	Part Number	Description and Page Number	Part Number	Description and Page Number
151065	Bail, Locking 18	151190	Lever, Oscillating 17	151376	Label, Instruction 38
151066	Bail, Rocker 15	151191	Bracket 6	151389	Paper, Carbon 38
151067	Bail, Code Bar 15	151193	Bumper 6	151390	Label, Blank 38
151068	Lever, Reset 16	151201	Wick, Felt 16	151391	Label Set 10, 38
151073	Screw, 4-40 x 5/32 Fil 5, 52	151205	Plate 17	151395	Spring 17
151075	Gear Set, 75 WPM 20	151207	Stud 15	151397	Spring 18, 57
151076	Wedge, Locking 10	151211	Lever, Stop 15	151398	Spring 18
151080	Washer, Flat 10, 35, 36	151213	Stud, 6-40 Eccentric 15	151399	Bracket 4
151082	Screw, 4-40 Pilot 7	151215	Shaft 15	151411	Block, Terminal 32
151084	Bar, Clutch Trip 6	151216	Detent 15	151412	Insulator 32
151085	Bar, Code #5 6	151217	Roller 15	151415	Block, Terminal 4, 31, 33
151086	Bar, Code #4 6	151218	Rod, Break 19	151416	Nut, 6-40 Hex 4, 31, 32, 33
151087	Bar, Code #3 6	151219	Plate 8	151442	Screw, 6-40 x 1/2 Hex 37, 41, 52, 54, 55
151088	Bar, Code #2 6	151222	Washer, Felt 17	151444	Bracket, Guard 28
151089	Bar, Code #1 6	151223	Screw, 4-40 Shoulder 10, 38, 39	151540	Lampholder 33, 47
151090	Screw, 6-40 Pilot 6	151224	Screw, 6-40 Pilot 10, 37, 43	151564	Bracket 33
151091	Plate, Nut 6	151225	Washer, Felt 15	151565	Bushing, Shoulder 33
151092	Frame, Code Bar 6	151226	Strip 10, 11	151567	Armature w/Clapper 33
151096	Frame, Signal Generator 15, 19	151227	Bracket, Space Bar 10	151574	Grommet, Rubber 22, 33
151097	Shaft 18	151228	Bracket w/Bearing 8, 34	151577	Screw, 6-40 Shoulder 33
151098	Stud 17	151234	Ratchet, 27T 23, 51	151579	Plate, Retaining 33
151099	Extension, Rocker 15	151235	Ratchet, 28T 23, 51	151610	Washer, Flat 53, 55
151100	Gear Set, 100 WPM 20	151236	Hub 23, 51	151618	Screw, 6-40 x 7/16 Fil 4, 8, 27, 56
151101	Guide 6	151237	Spring, Flat 23, 51	151626	Terminal 21, 22, 26, 31, 32, 38, 47, 48, 52, 59
151102	Pawl 7	151239	Pawl 23	151629	Nut, 6-40 Lug 55
151104	Clip 6	151240	Pawl, Latch 23, 51	151630	Screw, 6-40 x 1/4 Hex 10, 27, 31, 32, 33, 34, 36, 37, 39, 40, 49, 50, 52, 53, 56, 59
151105	Extension, Space Code Lever 10	151241	Lever, Latching 23, 51	151631	Screw, 6-40 x 5/16 Hex 8, 25, 31, 32, 33, 34, 37, 38, 39, 41, 43, 49, 50, 52 to 56, 59
151106	Plate 15	151243	Pawl 23	151632	Screw, 6-40 x 3/8 Hex 8, 31 to 34, 37, 39, 40, 45, 46, 48 to 54, 56, 59
151112	Shaft 9	151244	Bushing, Eccentric 23, 51	151637	Screw, 4-40 x 1/4 Fil 5, 6, 10, 11, 12, 59
151113	Strip, Mounting 4, 31, 56	151245	Washer, Felt 8, 23, 51, 53	151642	Screw, 6-40 x 3/4 Fil 5, 15
151115	Plunger, Lock 9	151246	Washer, Flat 8, 23, 51	151657	Screw, 6-40 x 1/4 Fil 4 to 7, 21, 23, 52, 54, 55, 56
151118	Plate, Spacing 4, 31	151286		151658	Screw, 6-40 x 5/16 Fil 4, 6, 9, 10, 11, 16, 25, 27, 30, 31, 33, 53
151126	Spacer, .250" Thk 8, 34	151289	Keylever Assembly 13	151659	Screw, 6-40 x 1/2 Fil 10, 11, 37, 38, 39, 56
151127	Shaft 8	151290	Keylever Assembly 13, 19, 48	151660	Screw, 6-40 x 7/8 Fil 54
151130	Pinion, 14T 20	151291		151678	Screw, 1/4-32 Pilot 4, 31
151131	Gear, 96T 20	151300	Keylever Assembly 13	151685	Screw, 4-40 x 5/16 Fil 18, 30
151132	Pinion, 17T 20	151301	Keylever Assembly 14	151686	Screw, 4-40 x 3/8 Fil 30, 47
151133	Gear, 93T 20	151302		151688	Screw, 4-40 x 5/8 Fil 6, 28
151134	Pinion, 20T 20	151306	Keylever Assembly 13	151689	Screw, 4-40 x 3/4 Fil 59
151135	Gear, 84T 20	151307	Keylever Assembly 14	151692	Screw, 6-40 x 3/16 Fil 4, 9, 10, 11, 15, 24, 25, 27, 47, 50, 57
151140	Plate 17	151308		151693	Screw, 6-40 x 9/16 Fil 4, 56
151145	Screw, 2-56 Shoulder 17	151322	Keylever Assembly 13	151712	Button, Pivot 8, 34
151146	Strap, Mounting 4, 31	151325	Cover 10	151715	Spring 57
151151	Camsleeve 16	151326	Plate, Seal 10, 11	151722	Screw, 6-40 x 3/16 Hex 31, 37, 40, 43, 50, 51, 56, 57
151152	Screw, 4-40 x 3/16 Hex 5, 6, 15, 17, 18, 30, 35, 41, 45, 46, 47, 57, 58	151329	Switch, Sensitive 4, 20, 21, 23, 33, 48, 51	151723	Screw, 10-32 x 3/8 Hex 8, 31, 32, 54
151154	Sleeve, Gear 16	151333	Wick, Felt 16	151724	Screw, 10-32 x 5/8 Hex 8, 34, 54
151157	Shaft 16	151335	Stud 4, 31, 32, 33	151725	Screw, 10-32 x 3/4 Fil 8, 34
151158	Guide, Selector Lever 18	151338	Spacer, .075" Thk 10, 11	151728	Spring 16, 42
151159	Bracket 9	151341	Lever, Contact 4, 20	151731	Screw, 4-40 x 7/8 Fil 18, 30, 47
151161	Shaft 18	151342	Bracket 4, 20	151732	Screw, 4-40 x 11/32 Fil 56
151167	Bracket 6	151346	Screw, 6-40 x 3/8 Fil 4, 5, 6, 8, 10, 11, 28, 33, 56		
151169	Screw, 4-40 Adjusting 18	151350	Screw, 4-40 Shoulder 6		
151170	Box Assembly, Contact 18	151352	Spring, Flat 9, 31		
151171	Toggle, Contact 18, 30, 45, 46	151353	Window, Plastic 10		
151173	Screw, 4-40 Contact 18, 30	151354	Screw, 2-56 x 15/32 Fil 10, 28		
151176	Base 18, 30	151355	Bar, Lock 6		
151177	Terminal 18, 30	151358	Box, Contact 18		
151179	Terminal 18, 30	151359	Cover w/Springs 18, 30		
151180	Link, Toggle 18, 30, 45, 46	151365	Terminal 4		
151182	Washer, Insulating 18, 30, 45, 46	151367	Plate 6		
151183	Insulator 18, 30	151369	Suppressor, Electrical Noise 4		
151184	Extension, Toggle 18, 30				
151185	Guide 18, 30				
151188	Guide, Transfer Lever 18				
151189	Bail, Clutch Trip 15				

NUMERICAL INDEX (Continued)

Part Number	Description and Page Number	Part Number	Description and Page Number	Part Number	Description and Page Number
151733	Screw, 4-40 x 9/16 Fil 52	152008	thru	153115	Keylever Assembly 21
151737	Screw, 4-40 x 11/64 Hex 16, 42, 55, 57	152016	Keylever Assembly 13	153116	Plug, Button 10, 11, 13, 27
151739*	Screw, 6-40 Identification 13	152017	thru	153117	Cover 11, 12, 22, 29
151820	Spring, Contact 18, 30, 45, 46	152020	Keylever Assembly 14	153118	Cover, Label 11, 12
151827	Strap, Terminal 32	152045	Guard, Gear 4, 31	153119	Label Set 11, 12
151830	Bar, Upstop 6	152051	Tissue 38	153120	Label, Instruction Left 12
151832	Screw, 6-40 Shoulder 18	152122	Screw, 4-40 Shoulder 9	153122	Label, Blank 12
151833	Frame, Front 10	152130	thru	153123	Paper, Carbon 12
151834	Plate, Keytop Guide 10	152139	Keylever Assembly 14	153124	Tissue 12
151835	Lever, Latch 15	152250	Stud, 4-40 Eccentric 6	153243	Bail 25
151837	Stud 15	152296	Bracket, Spring 6	153244	Shaft 9
151840	Bail 6	152318	Switch, Magnetic 21, 48	153245	Bracket 25
151841	Channel 10	152333	Modification Kit 19	153246	Bracket 25
151842	Retainer, Ball 10	152334	Modification Kit 21	153247	Lever, Trip 25, 50
151843	Screw, 6-40 Adjusting 10, 35, 36	152338	Modification Kit 8, 23	153248	Bushing, 6-40 Shoulder 24, 25, 50
151844	Screw, 4-40 Stop 10	152342	Modification Kit 22	153249	Bail, Transfer 25, 50
151845	Lever 6	152343	Modification Kit 20	153250	Link 25, 50
151846	Post, Spring 19	152344	Modification Kit 21	153252	Link 25, 31
151848	Lock 10	152441	Washer, Flat 53, 56	153264	Shaft 9, 24
151849	Guide, Code Lever 7	152460	Bracket 4	153265	Bracket 24
151851	Lever, Code Bar 7	152461	Bracket 33	153266	Lever, Trip 24, 50
151852	Lever, Space 7	152462	Latch, Right 4, 31, 33	153267	Washer, Felt 5
151853	Lever, Keyboard Lock & Break 7, 24, 25	152463	Latch, Left 4, 31, 33	153268	Bracket 24
151854	Lever, Local LF and Local CR 7	152464	Insulator, .062" Thk 4, 31, 33	153271	Bail 24
151855	Lever, Keyboard Unlock & Repeat 7	152465	Connector, 20 Pt	153273	Link 24, 50
151856	Bracket 9	152466	Receptacle 26	153274	Lever, Adjusting 24
151857	Bail 9, 24	152467	Connector, 20 Pt Plug 4, 31, 33, 47	153276	Bracket, Adjusting 24
151858	Bail 9	152493	Lever, Latch 15	153277	Bail 24
151859	Link 9	152754	Jumper, 4-1/2" Red 32	153283	Keylever Assembly 14, 25, 50
151861	Bail 9	152764	Gear, 81T 20	153284	Keylever Assembly 14, 24, 50
151862	Bracket 9	152765	Pinion, 13T 20	153441	Screw, 10-32 x 7/16 Hex 33
151863	Shaft 9	152766	Gear Set, 67 WPM 20	153442	Screw, 10-32 x 1/2 Hex 54
151867	Bracket 11	152814	Stud 17, 19	153444	Keylever Assembly 11
151879	Stud 23, 51	152815	Lever, Break 19	153445	Keylever Assembly 11
151880	Nut, 4-40 Hex 45, 46, 57, 58	152839	Spring, Latch 6	153537	Screw, 6-40 x 9/32 Hex 54, 57
151884	Bracket 23	152873	Latch 6	153538	Screw, 6-40 x 7/16 Hex 54
151885	Plate, Nut 23, 51	152874	Shaft, Latch 6	153572	Cable Assembly 22, 38
151886	Stud 23, 51	152875	Spacer, .050" Thk 6	153589	Switch, Toggle 22, 38
151887	Modification Kit 15, 19	152876	Bracket 6	153590	Spacer 22, 29
151889	Extension 6	152877	Bail 6	153591	Cable 22
151890	Gear Assembly, Intermediate 8	152878	Bracket, Stop 6	153595	Block, Switch Mounting 22
151893	Plate 8	152890	Washer, Flat 36	153619	Board, Terminal 4, 30
151894	Gear, 48T 8	152893	Screw, 4-40 x 1/4 Hex 10, 28, 35, 36	153620	Insulator 4
151895	Bushing, Eccentric 8	152894	Bracket 17	153622	Jumper, 5" Purple 26
151896	Shaft 8, 20	152904	Modification Kit to Convert Keytop Arrangement "ARC" to "ARD" 13	153623	Box, Contact 18
151897	Lever 8	152905	Modification Kit to Convert Keytop Arrangement "ARC" to "ARB" 13	153624	Box Assembly, Contact 18
151898	Spring 8	152906	Modification Kit to Convert Keytop Arrangement "ARC" to "ARA" 13	153626	Insulator, .031" Thk 19
151899	Nut, 2-56 Shoulder 17	152911	Modification Kit 21	153627	Screw, 6-40 Spl 19
151901	thru	152916	Modification Kit 25	153629	Lever, Break 19
151910	Keylever Assembly 13	152918	Modification Kit 24	153630	Bracket 19
151934	Modification Kit to Convert "ARA" Keytop Arrangement to "ARC" 13	153109	Lever, Function 11, 21	153631	Network, Spark Suppression 4, 28, 30, 57, 59
151939	Grommet, Rubber 33	153110	Cable w/Terminals 11	153632	Cable Assembly 19
151982	Lamp, 6V Incandescent 33	153112	Bracket 11, 21, 22	153633	Suppressor Assembly, Spark 4
152000	Base 4, 56			153635	Cable 21
152001	thru			153636	Lever, Switch 21
152006	Keylever Assembly 13			153637	Spring, Torsion 21
152007	Keylever Assembly 14			153638	Bracket, Switch 21
				153639	Cable Assembly 23
				153671	Cable Assembly 20
				153672	Cable Assembly 21
				153796	Cable 5
				153799	Screw, 4-40 x 21/64 Hex 57
				153803	Jumper, 5" Slate 26
				153817	Screw, 4-40 x 3/8 Hex 18, 31, 45, 46
				153839	Screw, 6-40 x 5/8 Hex 5, 55
				153841	Screw, 6-40 x 9/16 Hex 39, 41
				153843	Lever, Space Repeat 19
				153845	Bushing 19

NUMERICAL INDEX (Continued)

Part Number	Description and Page Number	Part Number	Description and Page Number	Part Number	Description and Page Number
153846	Plate, Nut 5	154066	Lever, LOC-LF 29	154151	Bail Assembly, Universal 35
153847	Generator, Tachometer 5	154067	Lever 29, 57	154152	Bar Assembly, Ball Lock 35
153848	Bracket, Generator 5	154068	Bracket, Right Guide 35, 40, 49	154153	Cable Assembly 48
153876	Clamp, 1-21/32" ID Cable 5	154069	Bracket, Left Guide 40	154154	Cam, Signal Generator 42
153877	Bracket 5	154070	Guide, Code Lever 40, 49	154156	Grommet, Rubber 33, 47
153878	Link 5	154071	Screw, 1/4-32 Pilot 40	154165	Box Assembly, Contact 45
153887	Detent 15	154072	Bracket, Stop 40	154166	Suppressor, ARC 45
153892	Meter, Tachometer 5	154076	Plate, Nut 31	154173	Plate 33, 47
153902	Modification Kit 19	154079	Stud 44	154176	Bracket 31
153952	Cover, Motor 5	154080	Lock, Wedge 40	154178	Spring 43
153955	Lever 5	154081	Plate, Retainer 10, 35	154179	Blade, Universal 35
153956	Cover 5	154083	Spacer, Cam 42	154183	Blade, Front 35
153958	Plate, Guide 5	154084	Bearing, Needle 44	154184	Blade, Rear 35
153959	Plate, Cover 5	154085	Plate 8, 31, 34	154189	Insulator 45
153969	Slide 5	154086	Retainer, Wedge 10, 35	154190	Filter, R F 45
153970	Plate, Bearing 5	154087	Plate, Nut 31	154191	Spring 44, 58
153971	Plunger 5	154088	Plate, Nut 31	154193	Plate 48
153984	Bail 5	154089	Post, Spring 44	154194	Base 45, 46
153985	Shim, .020" Thk 5	154091	Guide, Non-Repeat Lever 44, 58	154197	Plug, Button 38
153986	Plate, Identification 5	154092	Shaft, Function 29, 50, 57	154198	Window, Plastic 38
153987	Brake, Slide 5	154095	Eccentric, Contact Box 45, 46	154199	Shim, .005" Thk 31
153992	Meter Assembly 5	154096	Bushing, Eccentric 41	154201	Shim, .014" Thk 31
153993	Pinion, 20T 5, 20	154097	Bail 50	154202	Screw, #4 Spl 38
154000	Base 29, 31, 48, 50, 56	154098	Bail 50	154203	Bracket 37
154001	Bar, Code #1 40	154099	Bail, LOC-CR Function 29	154204	Grommet, Plastic 38
154002	Bar, Code #2 40	154101	Plate, Rear 41	154208	Bracket, Switch 31
154003	Bar, Code #3 40	154102	Plate, Rear 44, 47, 52, 58	154210	Bracket, Left 37
154004	Bar, Code #4 40	154105	Post, Transfer Bail 43	154211	Bracket, Right 37, 49, 58
154005	Bar, Code #5 40	154106	Bracket 31, 32	154212	Frame, Front 37
154008	Guide, Code Bar 40, 49	154107	Bracket 50	154215	Spring 44, 58
154009	Plate, Front 43	154109	Plunger 31	154217	Wick, Leather 43
154010	Bail Transfer 43	154110	Hood, Keyboard 37	154224	Gear Assembly, Intermediate 34
154013	Bracket, Spring 40	154111	Plate Keytop Guide 38	154225	Box Assembly, Contact 45
154014	Post, Guide 43	154112	Lever 47	154226	Box w/Strap 45
154015	Post 44, 58	154114	Post, Spring 47	154227	Bracket, Support 50
154016	Shaft 40, 50	154115	Plate, Guide 31	154236	Lever, Latch 41
154018	Post, Locking Bail 43	154116	Bail 50	154237	Lever, Non-Repeat 44
154019	Follower, Eccentric 42, 44, 58	154117	Bail, Space Bar 37	154238	Extension 35
154020	Seal, Front 37	154118	Lever w/Hub 48	154239	Extension w/Post 35
154021	Link 37	154119	Bracket, Space Bar 37	154240	Bail, Code Bar 44, 58
154023	Latch, Lock Bar 40	154120	Lever, Code Bar 40	154241	Stud 44
154025	Plate, Adjusting 44	154121	Lever, Space Code Bar 40	154350	Modification Kit 44
154027	Bellcrank 44	154122	Lever, Keyboard Lock Function 40	154386	Plate, Adjusting 44
154029	Wick, Felt 42	154123	Lever, Function 40, 48, 50	154520	thru
154030	Shaft, Signal Generator 42	154124	Lever, Repeat and Keyboard Unlock 40	154535	Keylever Assembly 14
154032	Sleeve, Gear 42	154125	Spring 40, 49, 57	154662	Spacer 8, 34
154033	Lever, Clutch Latch 41, 52	154126	Bracket 48	154663	Shaft 8, 20, 34
154034	Lever, Clutch Stop 41	154127	Nut, 6-40 Hex 44, 58	154681	Modification Kit 22
154036	Plate, Detent 43	154129	Bar, Clutch Trip 40	154682	Block, Switch Mounting 22
154037	Lever 48	154130	Box, Contact 45	154694	Disk, Clutch Cam 16, 42
154039	Bracket 48	154131	Cover, Contact 45	154783	Modification Kit 27, 28
154040	Lever, Transfer 43	154132	Bracket 50	155023	Switch, DP-DT Toggle 12, 38
154041	Post, Stop 43	154133	Bracket 50	155025	thru
154042	Terminal 45, 46	154134	Bracket 51	155040	Keylever Assembly 14
154043	Terminal 45, 46	154135	Pawl 23, 51	155052	Cable Assembly 26
154045	Screw, 6-40 Spl 45, 46	154136	Pawl 23, 51	155615	Base 4, 5
154046	Stud 41	154137	Lever, Adjusting 51	155616	Plate, Seal 10
154047	Post, Spring 43	154138	Washer, Felt 42	155727	Bar, Code 28
154051	Screw, 6-40 Shoulder 44	154140	Bail, Locking 43	155728	Bar, Code 28
154052	Bar, Locking 40	154141	Modification Kit 48	155729	Bar, Code 28
154053	Bail, Clutch Trip 41	154142	Modification Kit 51	155731	Bracket, Contact 28
154056	Bracket, Contact Box 45, 46	154144	Cable Assembly 51	155732	Bracket, Contact 28
154057	Plate 37	154145	Modification Kit 50	155733	Lever 28
154058	Plate 37	154146	Modification Kit 50	155739	Bracket 27
154059	Bracket, Function Bail 29, 48, 50	154147	Modification Kit 48	155741	Block w/Pin 27
154064	Bracket, Adjusting 50	154149	Cable Assembly 48		
154065	Lever w/Hub 50				

NUMERICAL INDEX (Continued)

Part Number	Description and Page Number	Part Number	Description and Page Number	Part Number	Description and Page Number
155743	Stud 27	158362	Cable 29	162643	Bracket 56
155744	Bail 27	158406	thru	162645	Gear, 21T 56
155745	Contact Assembly, Left 28	158445	Keylever Assembly 14	162646	Shaft 56
155746	Contact Assembly 28	158447	thru	162647	Sleeve 56
155747	Cable 28	158455	Keylever Assembly 14	162648	Plate w/Stud 56
155750	Sleeve, 3/32 ID x 1/2" Lg	158501	Plate, Switch 27	162649	Retainer 56
	Insulating 12, 47, 51, 52, 58, 59	158712	Gear, 26T 56	162650	Shaft 56
155751	Sleeve, 1/8 ID x 1" Lg Insulating	158716	Gear, 39T 56	162652	Plate 56
	30, 47, 48, 51	158723	Roller 56	162653	Retainer 56
155752	Sleeve, 5/64 ID x 1/2" Lg	158732	Gear, 24 & 18T 56	162654	Hub 56
	Insulating 26, 47	158733	Gear, 44T 56	162655	Gear, 56T 56
155753	Sleeve, 1/8 ID x 1/2" Lg	158734	Gear, 47T 56	162656	Shaft 56
	Insulating 12, 32, 43, 47, 49, 52, 57, 59	158740	Block 56	162657	Gear, 48T 56
155754	Sleeve, 1/16 ID x 1/2" Lg	158741	Bar 56	162658	Hub 56
	Insulating 47	158745	Clamp, Bearing 33, 34, 53	162659	Retainer 53, 56
155755	Sleeve, 11/64 ID x 5/8" Lg	158753	Armature, Magnet 52	162660	Post 56
	Insulating 31, 33, 47	158754	Core, Magnet 52	162661	Link w/Stud 56
155848	Bracket, Left 28	158788	Clamp, Bearing 56	162663	Stud 56
155849	Bracket, Right 28	158859	Post, Spring 52, 55	162664	Link 56
155850	Contact Assembly, Right 28	159278	Pinion, 14T 20	162665	Bracket 56
155851	Bracket, Switch 28	159279	Gear 96T 20	162666	Lever w/Stud 56
155859	Screw, 4-40 Spl 26	159281	Pinion, 17T 20	162668	Bracket 56
155860	Screw, 4-40 x 3/8 Rd 26	159282	Gear, 93T 20	162669	Gear, 15T 56
155861	Washer, Lock 26	159284	Pinion, 20T 20	162686	Guard 56
155954	Switch, Sensitive 57	159285	Gear, 84T 20	162873	Contact Assembly, Universal 49, 58
155994	Insulator, .015" Thk 57	159287	Retainer, Pinion 20, 53, 55	162874	Clamp 49, 58
156450	Screw, 2-56 x 1/2 Fil 57	159327	Washer, Flat 44	162875	Bracket 49, 58
156503	Wick, Felt 42	159334	Washer, Insulating 44	162876	Bar, Retainer 49, 58
156509	Washer, Flat 43	159341	Bearing, Ball 53	162878	Contact Assembly 43
156516	Latch 43	159660	Gear Set, 60 WPM 20	162879	Spring, Contact 43
156574	Post, Spring 35	159661	Pinion, 10T 20	162880	Bracket 43
156591	Washer, Felt 54	159662	Gear, 57T 20	162881	Plate 43
156630	Washer, Felt 43	159663	Pinion, 15T 20	162882	Bushing, Insulating 43
156632	Screw, 6-40 x 13/32 Hex 37, 39	159664	Gear, 78T 20	162883	Cover, Insulating 43
156644	Link, Drive 45, 46	159665	Pinion, 14T 20	162884	Arm 43
156663	Bushing, Insulating 45, 46	159666	Gear, 64T 20	162885	Segment, Cam 42
156740	Screw, 6-40 x 7/32 Hex 32, 34, 49, 58	159667	Gear Set, 67 WPM 20	162886	Screw, 4-40 x 7/32 Hex 42
157288	Plate, Adapter 56	159668	Pinion, 20T 20	162891	Cover, Contact Box 45
157320	thru	159669	Gear, 70T 20	162892	Box Assembly, Contact 45
157323	Keylever Assembly 14	159675	Gear Set, 75 WPM 20	163359	Modification Kit 56
157325	thru	159700	Gear Set, 100 WPM 20	163360	Bracket 56
157367	Keylever Assembly 14	159976	Armature 55	163440	Gear, 48T 8, 34
157940	thru	160369	Switch, No Pushbutton 12	163445	Insulator, Strip 45, 46
157971	Keylever Assembly 14	161100	Spring, Contact 43	163460	Gear, 55T 8, 34
157989	Hub w/Pin 5	161106	Pinion, 14T 20	163461	Pinion, 18T 20
158010	Bar, Locking 49	161111	Gear Set, 60 WPM 20	163462	Gear, 117T 20
158163	Switch, Sensitive 31, 47	161293	Gear Set, 60 WPM 20	163463	Pinion, 24T 20
158164	Lever w/Hub 31	161294	Gear Set, 75 WPM 20	163464	Gear, 104T 20
158215	Plate, Nut 32	161295	Gear Set, 100 WPM 20	163504	Gear Set, 71 WPM 20
158226	Bracket w/Bushing 49	161301	Post 20, 53	163505	Gear Set, 107 WPM 20
158228	Lever w/Stud 49	161346	Washer, Felt 18, 43	163519	Sleeve, Gear 42
158230	Bracket, Contact 49	161347	Washer, Felt 23, 47, 51	163536	Spacer, .562" Thk 45
158231	Contact, Lock Bar 49	161348	Spring 16	163647	Channel, Ball 10, 35, 49, 58, 59
158268	Latch w/Hub 44, 58	161426	Cable 30	163775	Modification Kit 47
158275	Plate, Clamp 49	161427	Plate, Nut 30	163813	Plate 47
158277	Screw, 3-48 x 1 Rd 49	161435	Modification Kit 30	163814	Lever w/Hub 47
158299	Cover, Contact 49	161437	Box, Contact 30	163852	Keylever Assembly 14, 57
158358	Switch, SP-ST Toggle 29	161438	Sleeve 30	163962	Plate 11
158359	Modification Kit 29	161525	Connector, 14 Pt Plug 26, 38	163963	Plate 38
158360	Block, Switch Mounting 29	162224	Modification Kit 49	163964	Plate 38
158361	Cable Assembly 29	162333	Stud, Locating 4, 29	163979	Lever, Code Bar 49, 57
		162335	Cable 49	164005	Modification Kit 49
		162485	Plate 15	164077	Modification Kit 49
		162641	Modification Kit 56	164127	Plate, Keytop Guide 38
				164131	Cable Assembly 38

NUMERICAL INDEX (Continued)

Part Number	Description and Page Number	Part Number	Description and Page Number	Part Number	Description and Page Number
164132	Cover 11, 12, 22, 29	164731	Shaft 54	176782	Gear, 63T 55
164133	Cable Assembly 26	164732	Extension 54	176784	Bearing, Flange 55
164138	Stud 58	164734	Belt, "O" Ring 54	176787	Gear, 66T 55
164142	Bracket 57	164735	Coupling, Flexible 54	176789	Hub 55
164143	Plate Mounting 57	164926	Modification Kit 54	176790	Washer, Bearing 55
164144	Plate, Side 57	164998	Modification Kit to Provide Pulsing Contacts 42, 43	176792	Sleeve w/Stud 55
164145	Pivot, Lever 57	165027	Network, Spark Suppression 32, 54	176793	Sleeve 55
164146	Lever, Stop 57	170324	Bracket, Front 40	176794	Spring, Right Clutch 55
164148	Spacer, Stop Arm 57	170379	Retainer, Ball 36	176795	Spring, Left Clutch 55
164149	Lever, Blocking 57	170380	Retainer, Wedge 36	176796	Wick, Felt 55
164151	Lever, Detent 57	170385	Frame w/Bushing 41, 52	176797	Gear, 48T 55
164154	Lever, Sensing 57	170386	Guide, Transfer Lever 43	176802	Plate, Right Bearing 55
164155	Yoke, Magnet 57	170391	Guide, Transfer Lever 43	176803	Plate, Left Bearing 55
164156	Armature 57	171541	Diode 59	176804	Shaft, Idler 55
164157	Shaft 57	171953	Connector, Orange Shielding 47	176805	Gear, 25T 55
164158	Latch 57	171973	Connector, Black Insulated 47	176807	Shaft, Trip 55
164160	Link 58	172635	Plate, Adapter 54	176808	Bracket 55
164161	Drum, Message 57	172636	Bracket 54	176809	Bracket 55
164162	Ring, "O" 57	172962	Cable 43	176900	Base 33
164163	Blade, Stop 57	173028	Post, Spring 58	176906	Plate, Keytop Guide 39
164164	Blade, Code 57	173029	Lever, Latch 58	176907	Switch, Rocker 39
164165	Plate, Drive 57	173095	Link 58	176908	Shaft 33
164168	Pawl, Stepping 57	173096	Stud, Eccentric 44, 58	176923	Plate, Vibration 33
164169	Stud, Eccentric 57	173712	Cable Assembly 31	176924	Plate, Nut 33
164234	Gear Assembly, Intermediate 34	173907	Spacer 56	176929	Retainer, Belt 33
164327	Cable 26, 38	173908	Post 56	176932	Plate, Upper Bearing 33
164328	Plate, Switch 12	173909	Washer, Locking 56	176933	Stud 33
164329	Cover 12	173912	Plate 56	176936	Bracket, Left 33
164375	Plate, Keytop Guide 38	173974	Screw, 10-32 x 5/16 Hex 56	176937	Bracket, Right 33
164376	Guard 12, 38	174179	Spacer, .578" Thk 59	176940	Plate, Nut 33
164379	Cable 52	174181	Bracket, Rear Mounting 59	176941	Plate, Nut 33
164434	Keylever Assembly 13	174182	Relay, 550 Ohm 59	176944	Plate, Nut 33
164435	Keylever Assembly 13	174183	Guard 59	176945	Bracket, Connector, 33
164457	Keylever Assembly 14	174184	Plate, Cover 59	177070	Plate, Identification 12
164485	Bail w/Hub 41, 52	174246	Lever, Code Bar 49	178338	Cable Assembly 59
164494	Modification Kit 48	174250	Pin, Roll 53, 55	178525	Cable Assembly 33
164495	Cable Assembly 48	174410	Box Assembly, Contact 46	178526	Cable Assembly 33
164496	Bail 57	174411	Insulator 46	178547	Plate, 10-32 Nut 33
164497	Eccentric 57	174412	Spacer, .531" Thk 46	178549	Bumper, Rubber 33
164499	Bar, Locking 57	174413	Terminal 46	178586	Bracket 36
164501	Plate, Mounting 59	174414	Bushing 46	178587	Bracket, Switch 36
164617	Base, Paper Winder 54	174415	Cover, Contact Box 46	178588	Shaft 36
164629	Bracket 38	174416	Box, Contact 46	178589	Lever w/Hub 36
164644	Post 52	174421	Filter, R F 46	178592	Bracket, Connector 33
164645	Post 52	174422	Filter, R F 46	178714	Switch, Rocker Type 36
164646	Plate, Nut 52	174491	Modification Kit to Provide R F Filter 45	178787	Sleeve, Gear 42
164647	Bracket 52	176278	Plate, Nut 57	178795	Camsleeve 42
164649	Plate, Mounting 52	176304	Bracket 57	179183	Switch, DP-ST Switch 12
164650	Contact Assembly 52	176659	Lever, Trip 32	179362	Cable Assembly 52
164651	Bail, Armature 52	176661	Bracket w/Post 32	179363	Cable Assembly 52
164652	Bar, Universal 40, 52	176663	Link 32	179372	Shield, Light 33
164653	Bracket 52	176672	Solenoid 32	179380	Retainer 56
164656	Bar, Clutch Trip 40, 52	176673	Suppressor, Spark 32	179383	Bracket 9
164660	Modification Kit 52	176675	Solenoid Assembly 32	179626	Plate, Switch 38
164718	Plate, Adapter 54	176677	Shaft, Clutch 55	179630	Modification Kit to Provide Print Suppression Switch On Keyboard 38
164719	Bracket, Mounting 54	176678	Shaft, Driver 55	179800	Toggle, Gold Plated 45
164720	Bracket, Assembly 54	176691	Resistor w/Terminals, 5 Ohm 32	192025	Washer, Flat 53
164721	Shaft 54	176701	Base 32, 57	192550	Bar Assembly, Ball Lock 36
164722	Hub, Wheel 54	176703	Plate, Mounting 32	192552	Channel, Ball 36
164723	Wheel, Drive 54	176752	Ring, Retaining 55	192553	Bracket, Left Mounting 39
164724	Pulley 54	176770	Bracket 55	192554	Bracket, Right Mounting 39
164725	Pulley, Idler 54	176772	Gear, 56T 55	192556	Frame 39
164726	Post, Idler 54	176774	Gear, 42T 55	192557	Grommet, Rubber 39
164727	Lever, Idler 54	176779	Wick, Felt 55	192681	Screw, 4-40 Spl 35
164728	Post, Idler Lever 54			193563	Post 56
164729	Bracket w/Bearing 54				
164730	Bracket 54				

NUMERICAL INDEX (Continued)

Part Number	Description and Page Number	Part Number	Description and Page Number	Part Number	Description and Page Number
193654	Clamp, Armature 52	195263	Pinion, 22T 53	198679	Bracket, Bolt Retaining 53
193723	Clip, Spring 33	195264	Gear, 49T 53	198680	Screw, 10-32 Spl 53
194424	Modification Kit 52	195268	Modification Kit to Replace Old Style Shaft 8	198695	Bar 56
194436	Plate, Identification 12	195415	Modification Kit 53	198696	Gear, 24 & 18T 56
194443	Plate, Jack 38	195417	Shaft, Driven 53	198697	Gear, 26T 53, 56
194444	Hood, Keyboard 37	195418	Gear, 48T 53	199240	Hub 56
194445	Plate, Keytop Guide 38	195420	Pawl 53	199241	Hub 56
194446	Frame, Front 37	195427	Washer, Flat 53	199242	Shaft 56
194447	Bracket, Right 37	195431	Washer, Spring 54	199243	Shaft 56
194448	Base 5, 31	195438	Sleeve 54	199451	Pin, 9/16" Roll 56
194449	Plate 37	195439	Shaft 54	199452	Pin, 5/8" Roll 56
194450	Seal, Front 37	195648	Jumper, 1-3/4" Green 45	199453	Pin, 3/4" Roll 56
195156	Pinion, 28T 53	195923	Filter, R F 45	199454	Pin, 1" Roll 56
195158	Bracket w/Bearings 53	195992	Belt, 83T 33	304375	Modification Kit 54
195163	Bracket 53	195993	Gear, 26T 33	305007	Box Assembly, Contact 45
195167	Lever 53	195994	Pulley, 34T 33	306991	Bracket 34
195168	Bracket 53	195997	Gear, 34T 33	306992	Clamp 34
195169	Bracket 53	195999	Gear, 21T 33	306993	Plate 34
195186	Screw, 4-40 x 7/8 Hex 18, 45	197928	Switch, Red Pushbutton 11, 38	306994	Shaft 34
195187	Screw, 4-40 x 1-1/2" Hex 45, 46	197929	Switch, Black Pushbutton 11, 38	306995	Spacer 34
195241	Screw, 4-40 Gold Plated Contact 45	197930	Switch, Green Pushbutton 38	311451	Camsleeve 42

28 ELECTRICAL SERVICE UNIT (LESU)
for KEYBOARD SEND-RECEIVE and RECEIVE-ONLY SETS
PARTS

FIGURE	CONTENTS	PAGE
1	Electrical Service Unit	3
2	Electrical Service Unit	4
3	Electrical Service Unit	5
4	Electrical Service Unit	6
5	Electrical Service Unit	7
6	177076 Relay Assembly	8
7	192674 Relay Assembly	9
8	192669 and 194369 Selector Magnet Driver Assemblies	10
9	Early Design Rectifier and Cable Assembly (120 MA)	11
10	151999 and 152950 Rectifier and Cable Assemblies (150 MA)	12
11	Variable Features for the Electrical Service Unit	13
12	162361 Rectifier and Cable Assembly (500 MA)	13
13	164503 Rectifier Assembly	14
14	151822 Line Relay Mounting Assembly	15
15	152623 and 160226 Line Relay Mounting Assemblies	16
16	157216 Line Relay Mounting Assembly	17
17	152744 Line Test Key Assembly	18
18	152625 Line Test Key Assembly	19
19	Filter and Bell Assembly	20
20	163696 and 163697 Relay Panel Assemblies	21
21	152021 and 152624 Capacitor-Resistor Assemblies	22
22	151400, 153040 and 153251 Motor Control Assemblies	23
23	165687 Motor Control Relay Assembly	24
24	152332 Motor Control Relay Assembly	25
25	165673 and 178307 Motor Control Relay Assemblies	26
26	165650 Motor Control and Answer-Back Control Relay Assembly	27
27	176810 Answer-Back Control Relay Assembly	28
28	176694 (Motor Control) and 176698 (Slow Release) Relay Assemblies	28
29	154732, 154779 and 172667 Modification Kits to Add a Relay Shift to an Electrical Service Unit	29
30	164271 Electrical Service Assembly	30
31	173363 Modification Kit to Adapt a 164271 Electrical Service Assembly for Use in a Cabinet	30
32	160223 and 179434 Auxiliary Cable Assemblies	31
33	155558 DC Control Relay Assembly	31
34	155785 Cable Extension	32
35	159397 Modification Kit to Convert the 152623 Line Relay Mounting Assembly to the 160226 Assembly	32
36	Variables for the Electrical Service Unit	33
37	151995 and 152330 Modification Kits to Add Line Pad Resistor to LESU	33
38	93073 1500 Ohm Resistor Modification Kit	34
39	152331 Rectifier Assembly	34
40	Line Shunt Relay (New Style)	35
41	154747 Modification Kit to Equip an LESU for Continuous Spacing	35
42	Cable Components	36
43	179472 Modification Kit to Provide Transmitter and Reperforator Control	37
	Numerical Index	38

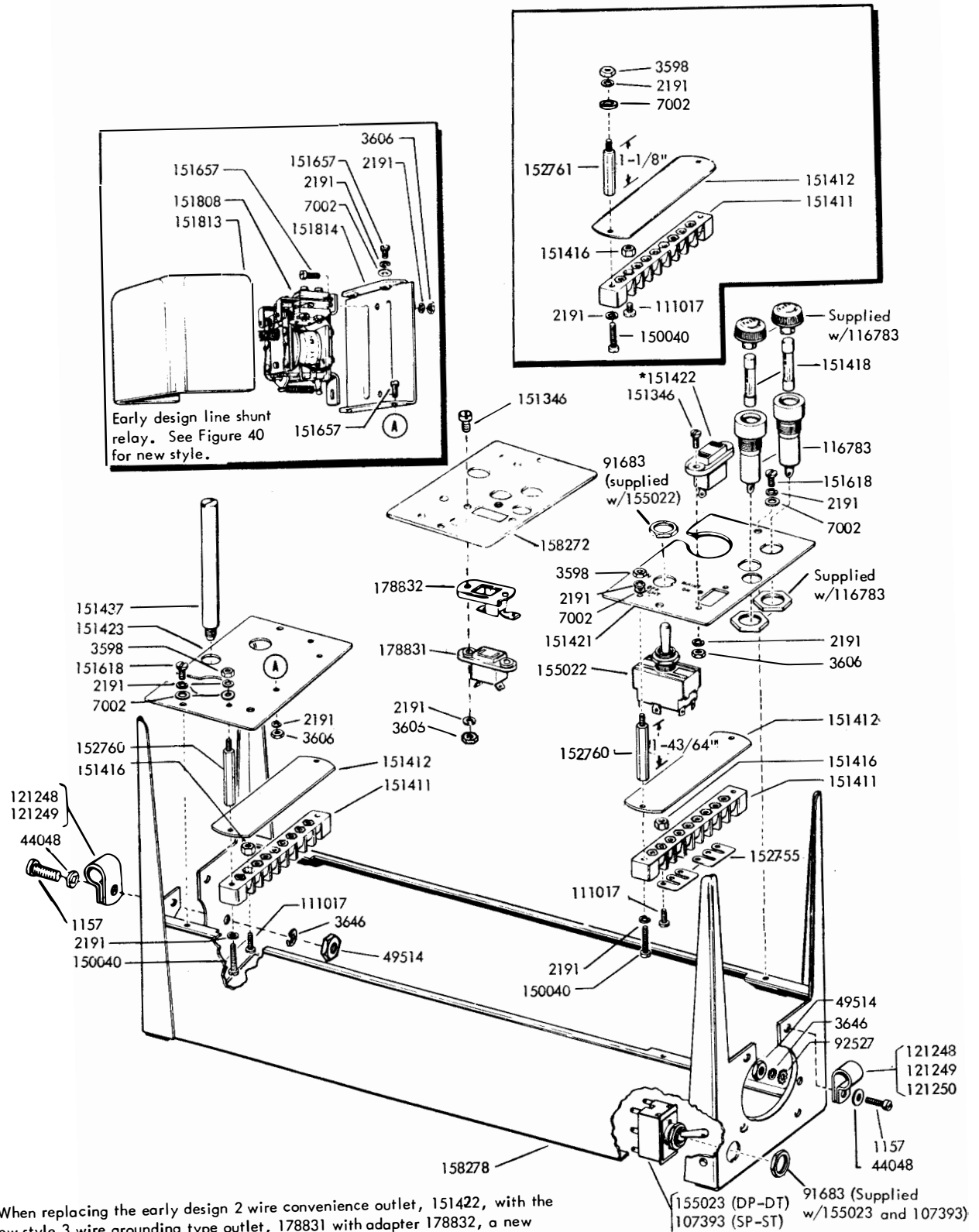
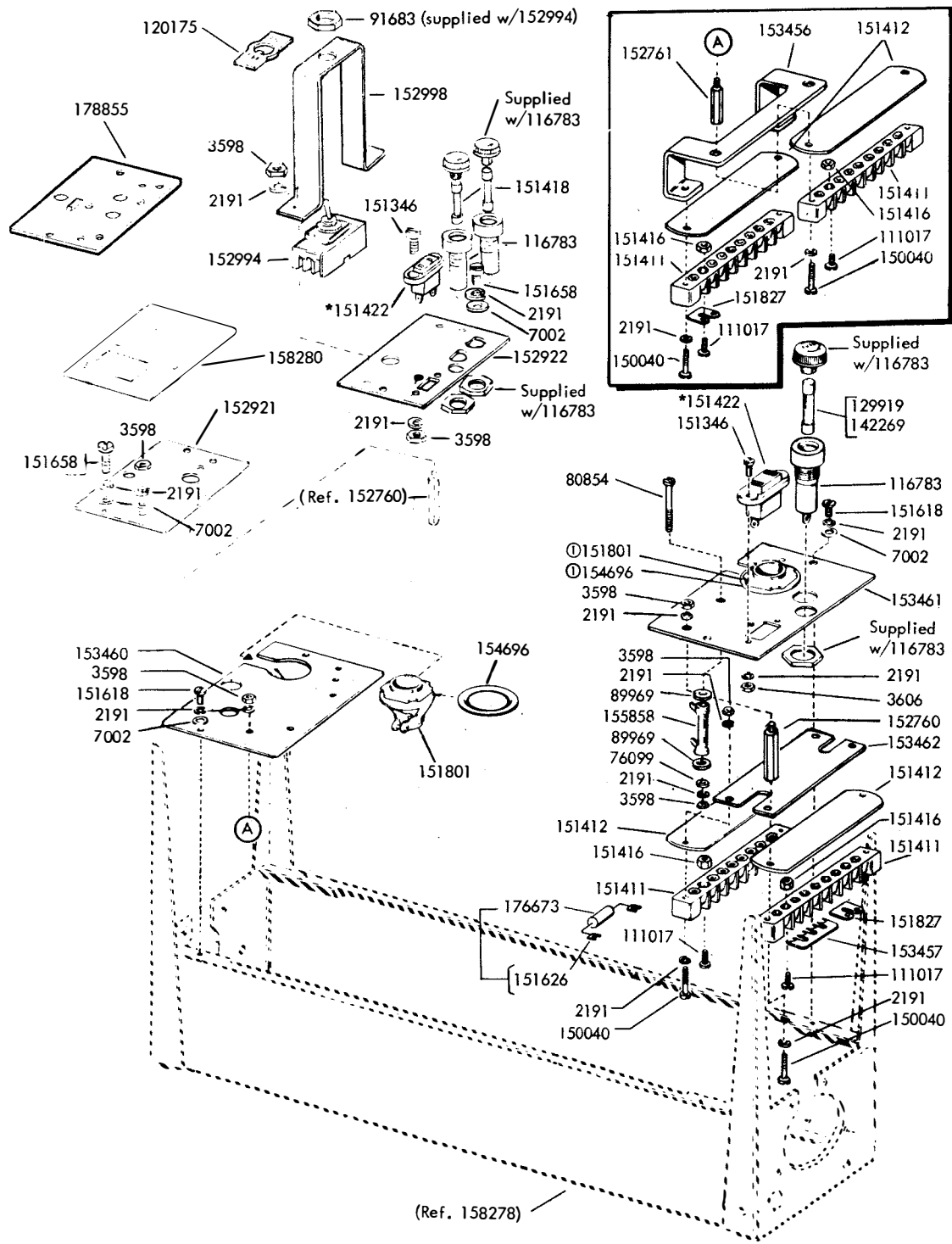


FIGURE 1. ELECTRICAL SERVICE UNIT



*When replacing the early design 2 wire convenience outlet, 151422, with the new style 3 wire grounding type outlet, 178831 with adapter 178832, a new style mounting plate with provisions for the ground prong should be ordered (See Figure 1 for new style outlet, 178831 and adapter, 178832). A 178833 adapter plug (not illustrated) may be ordered to convert an existing 2 wire outlet to a grounded type, 3 wire outlet.

FIGURE 2. ELECTRICAL SERVICE UNIT

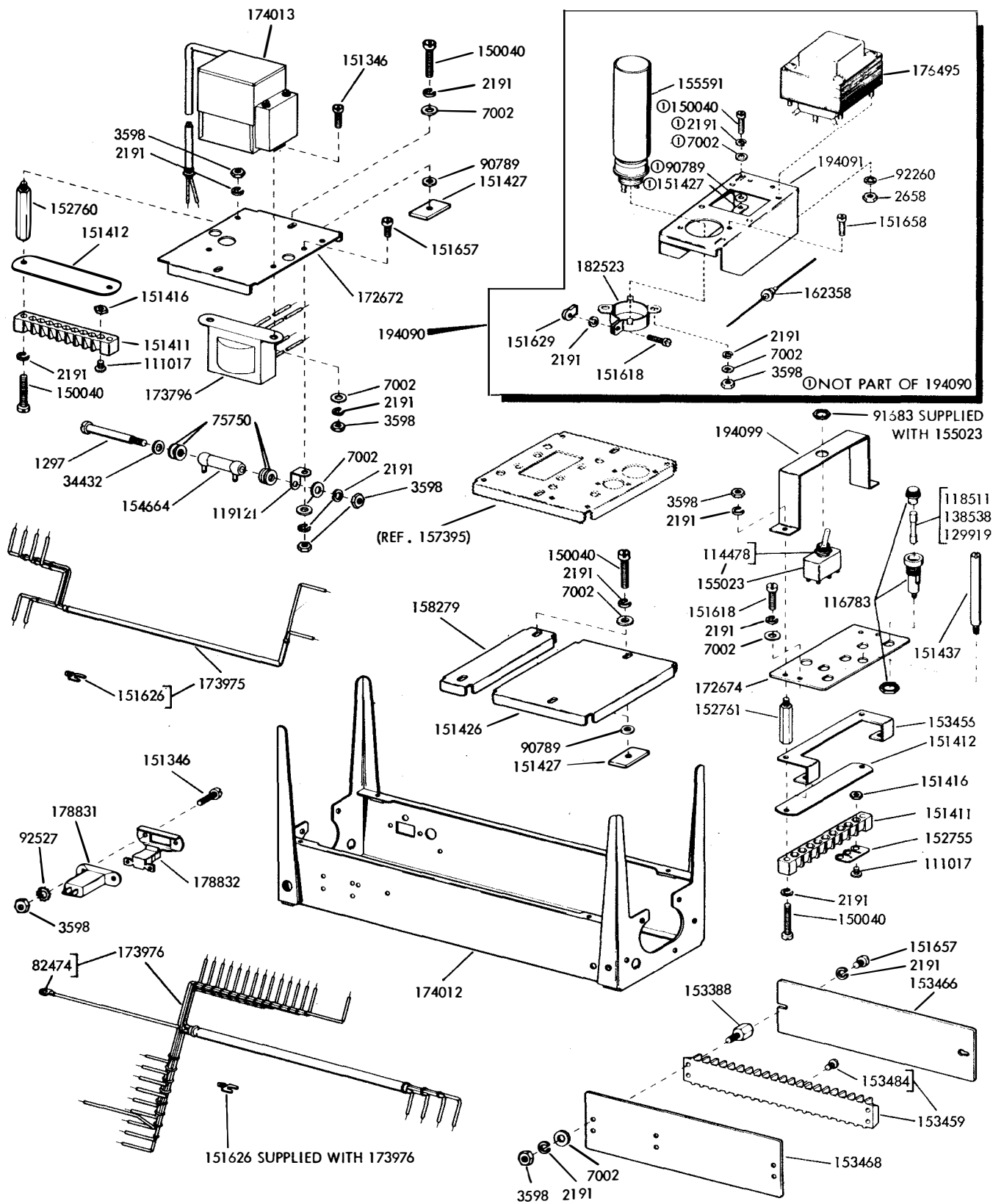


FIGURE 3. ELECTRICAL SERVICE UNIT

Cable Assembly	171555 50 pin Connector	142899 24 pin Connector	161526 14 pin Connector
145013	X		X
145014	X	X	X

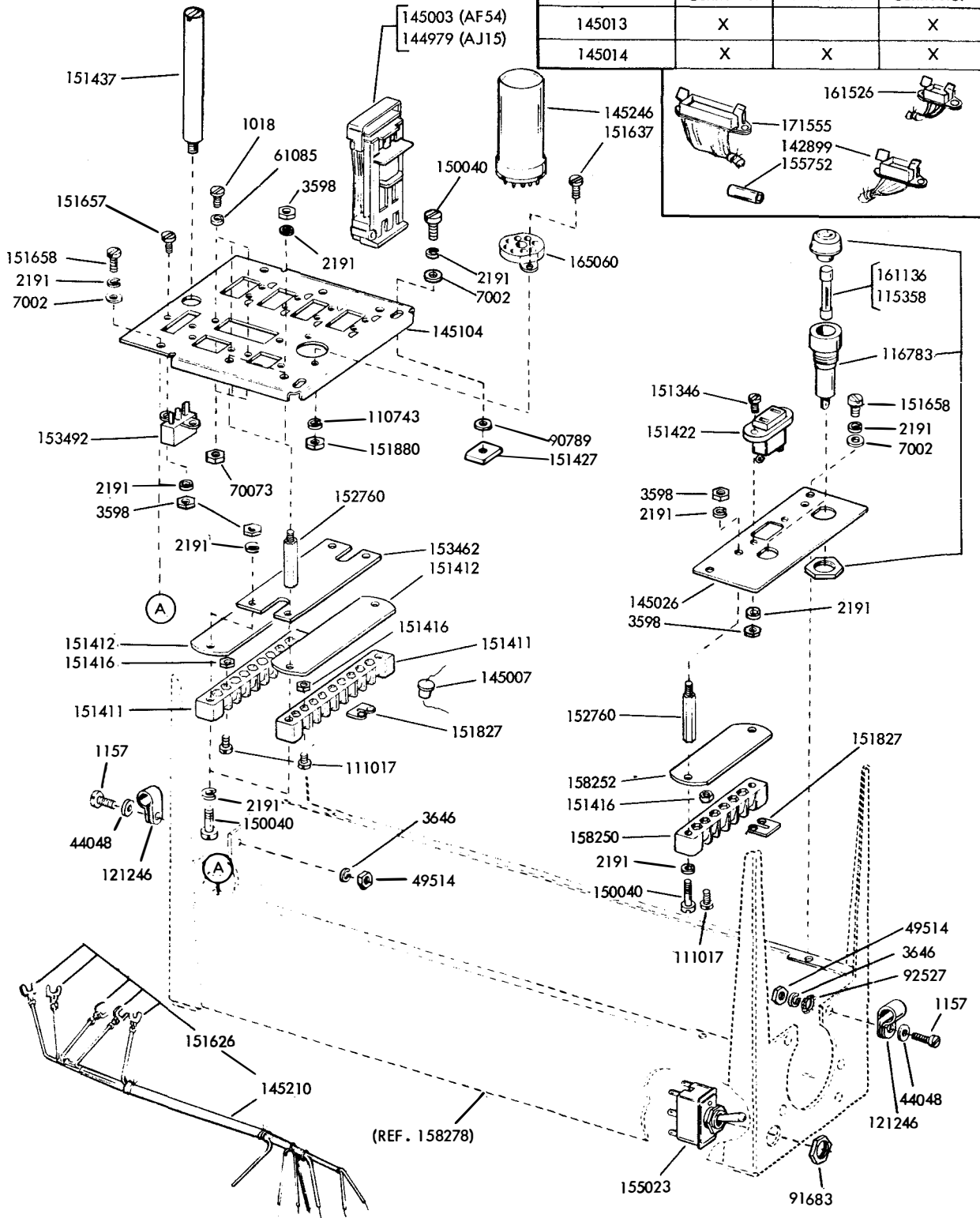


FIGURE 4. ELECTRICAL SERVICE UNIT

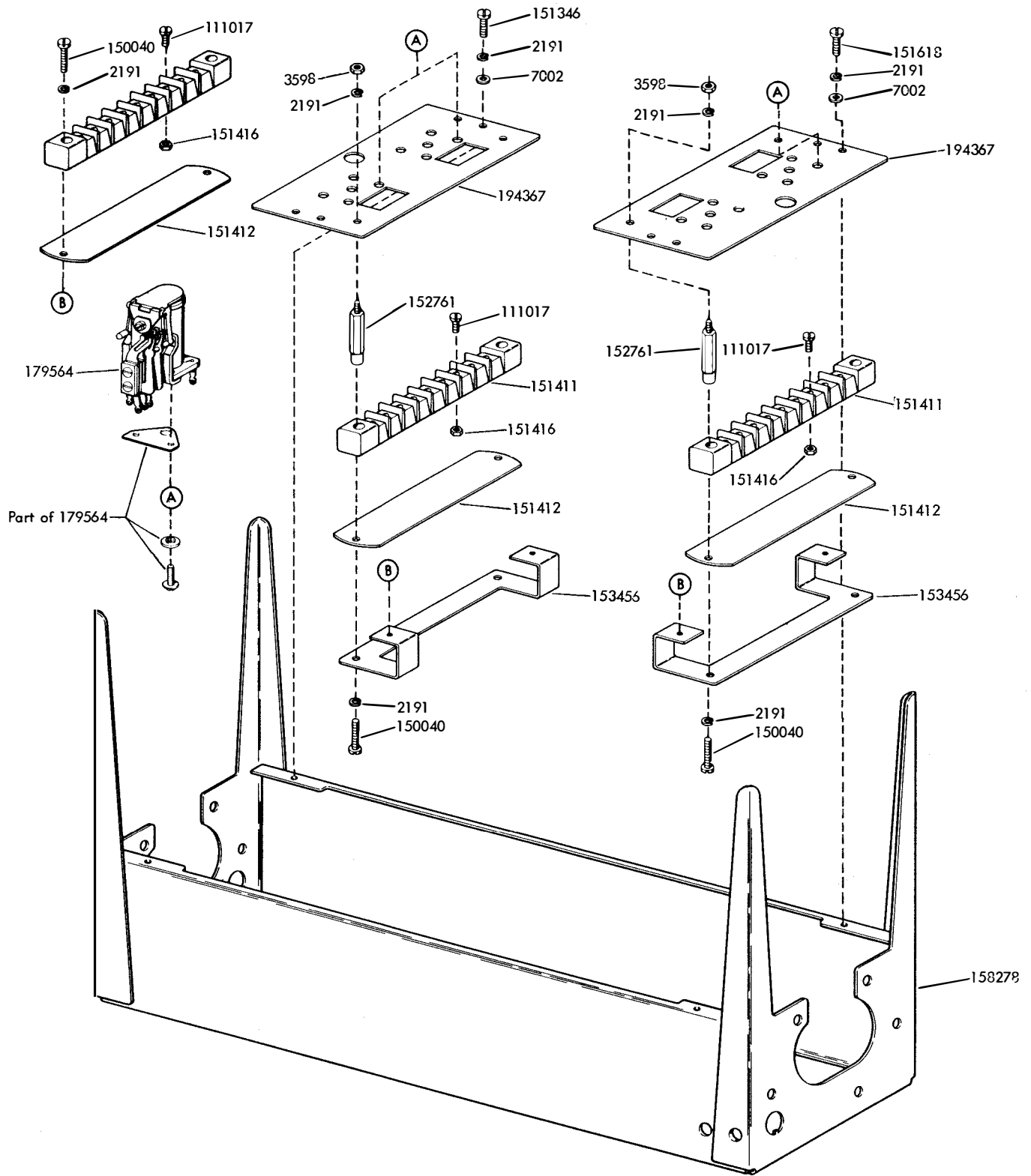


FIGURE 5. ELECTRICAL SERVICE UNIT

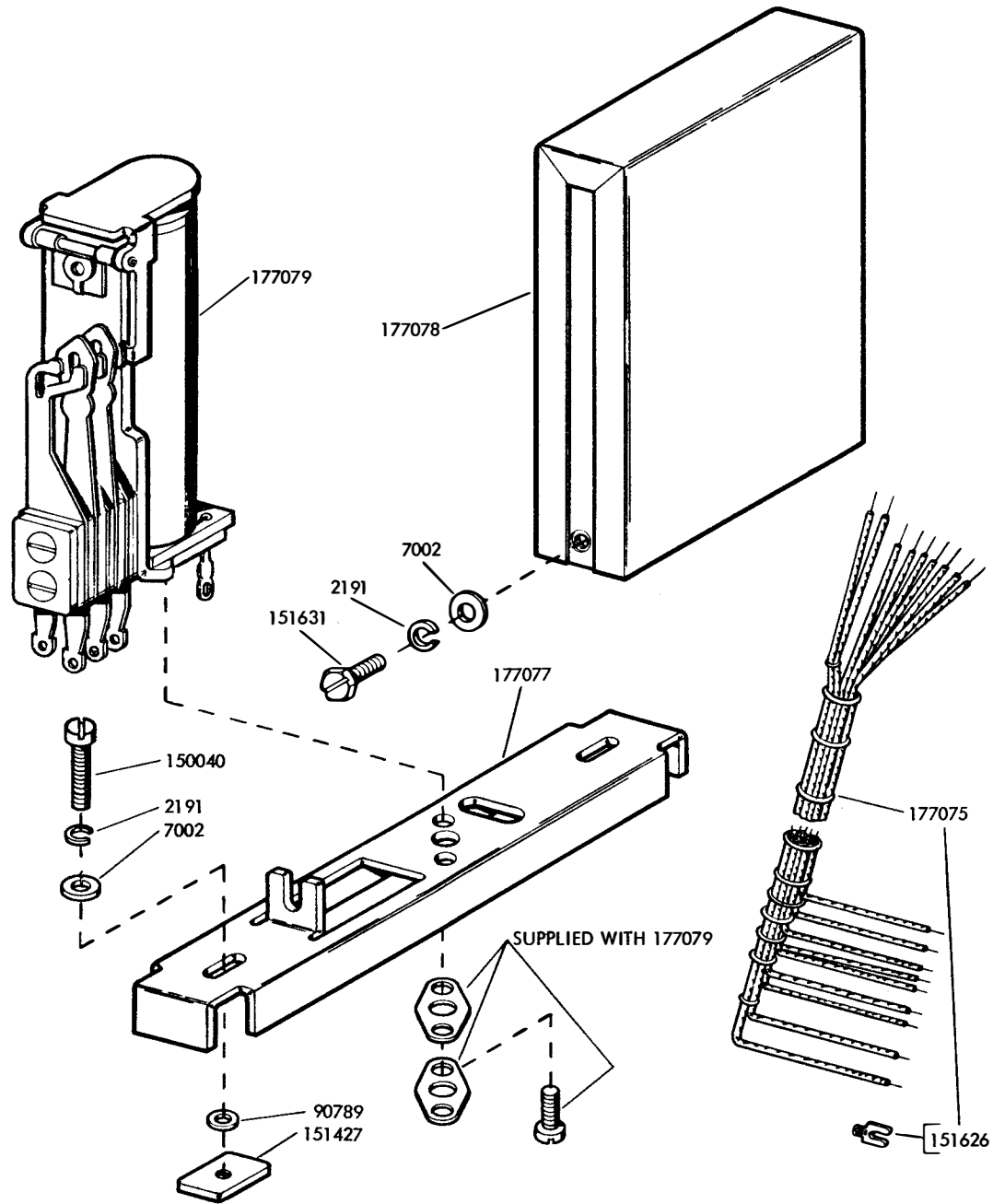


FIGURE 6. 177076 RELAY ASSEMBLY

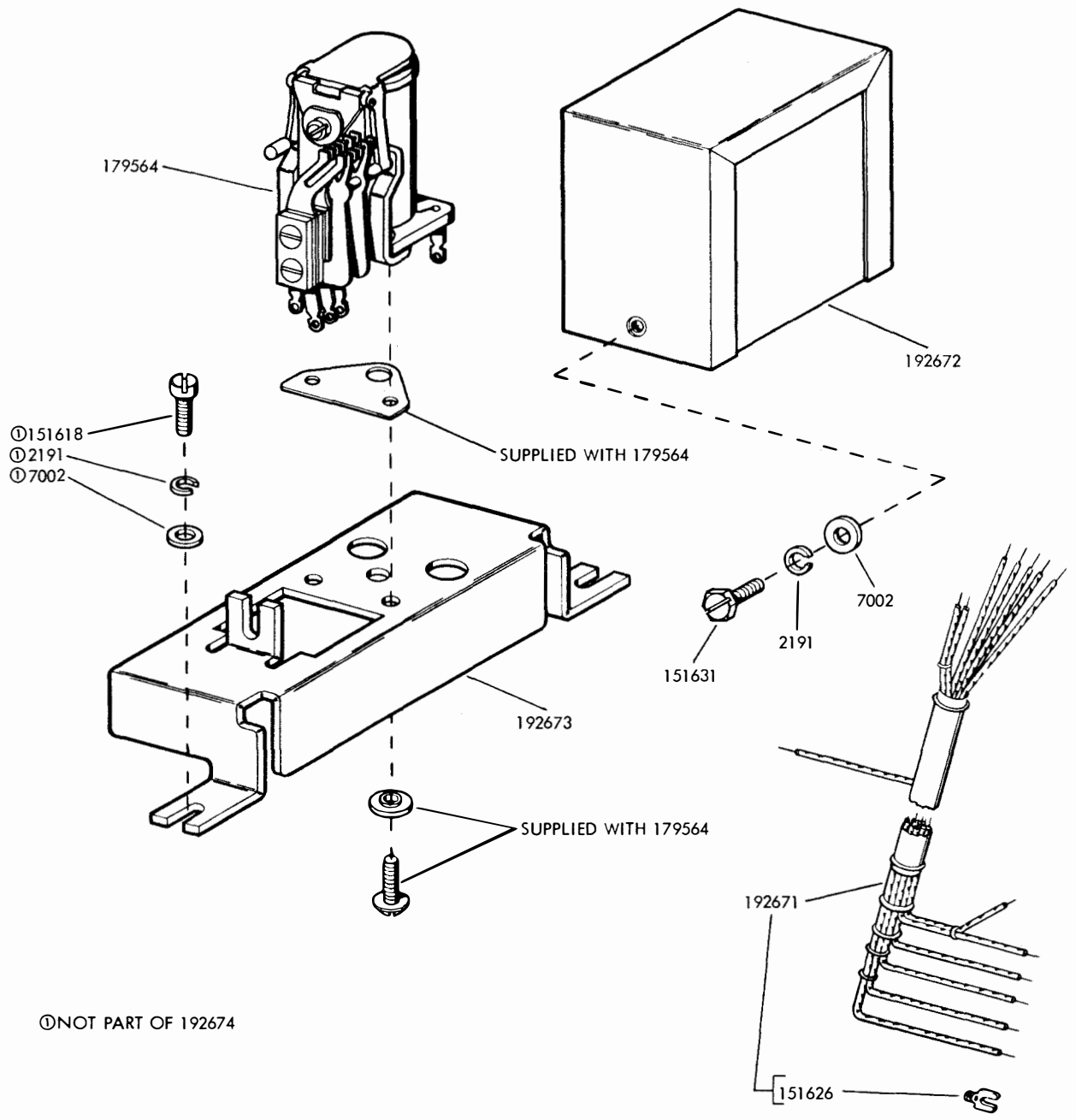
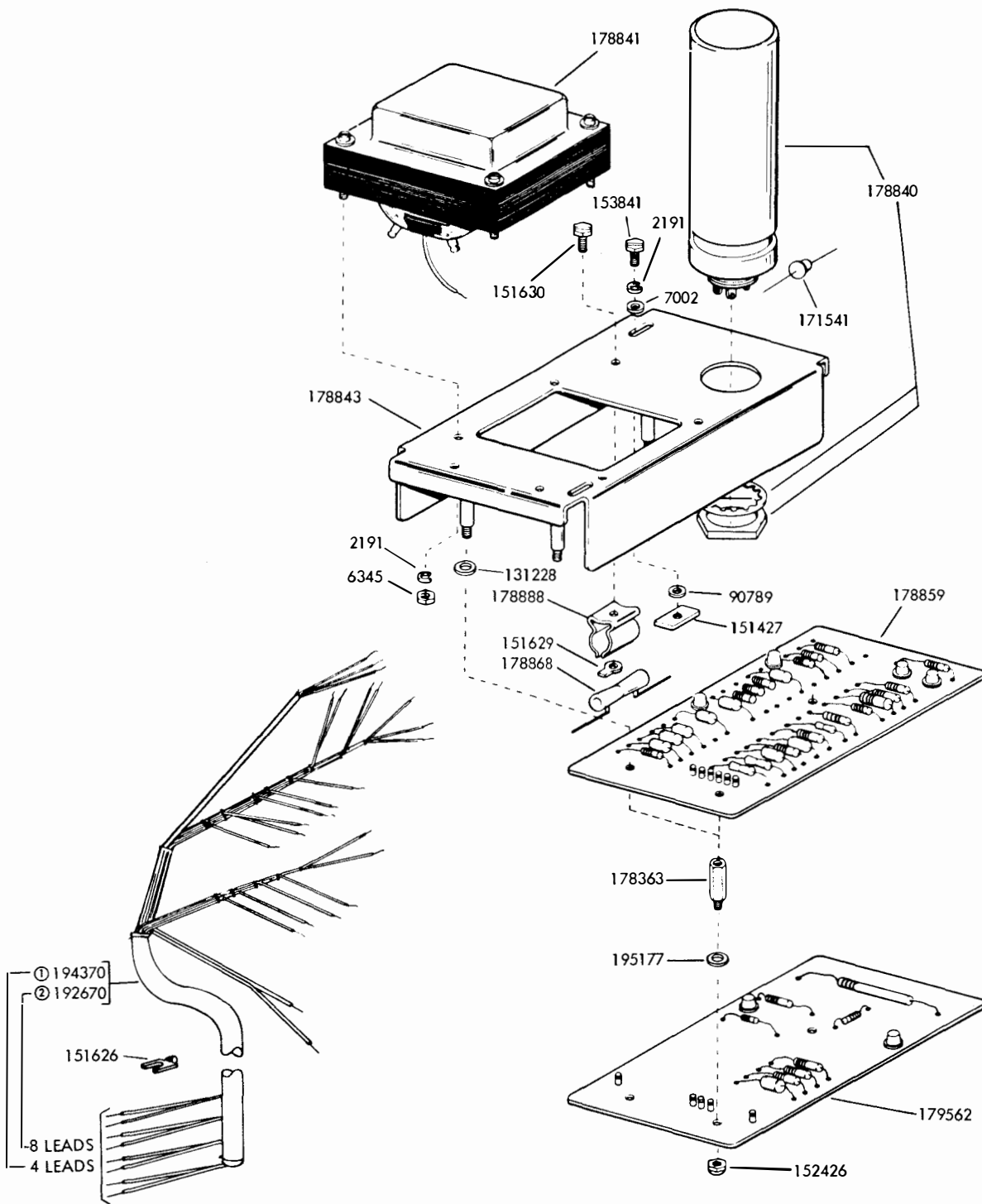


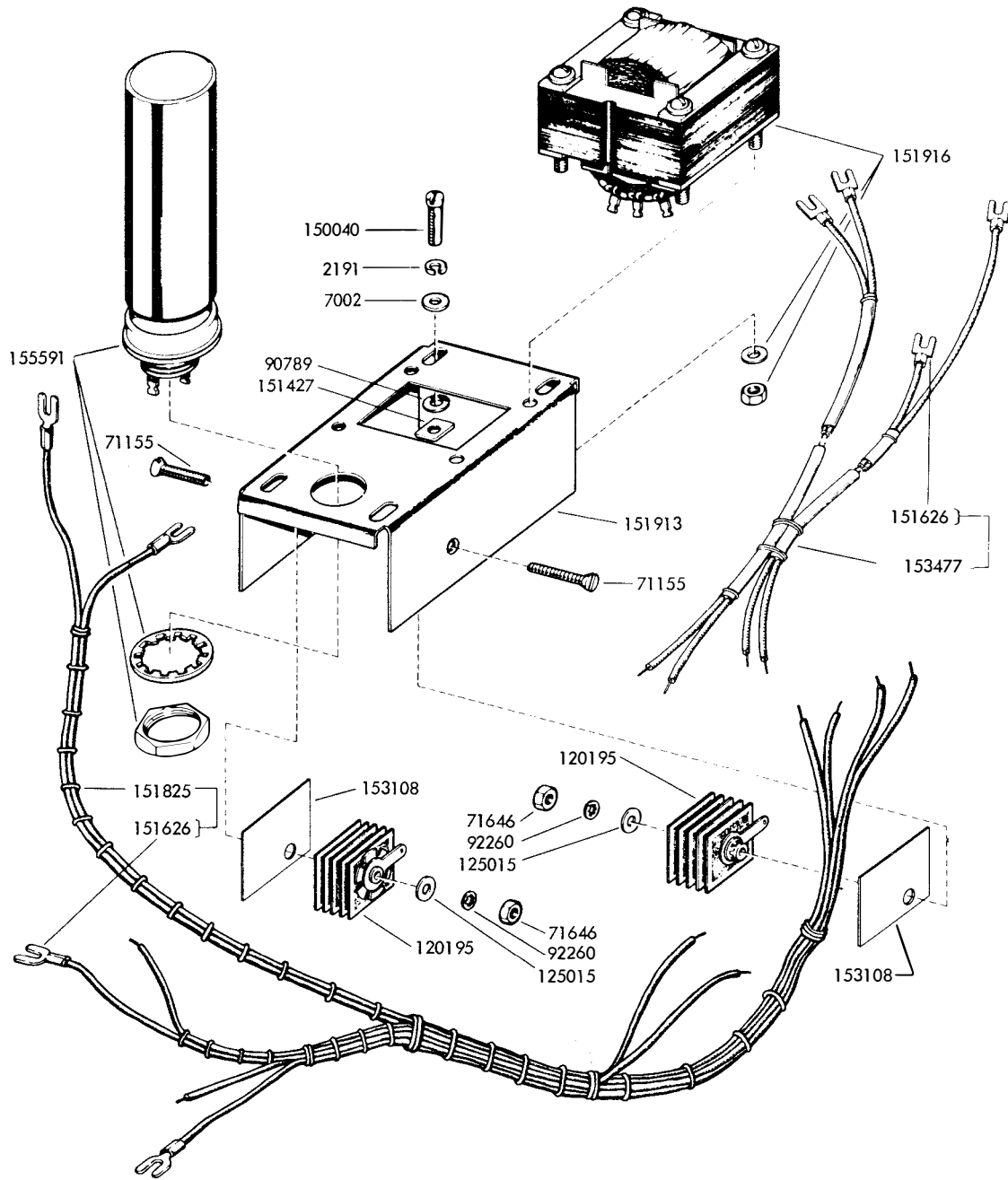
FIGURE 7. 192674 RELAY ASSEMBLY



① PECULIAR TO 194369

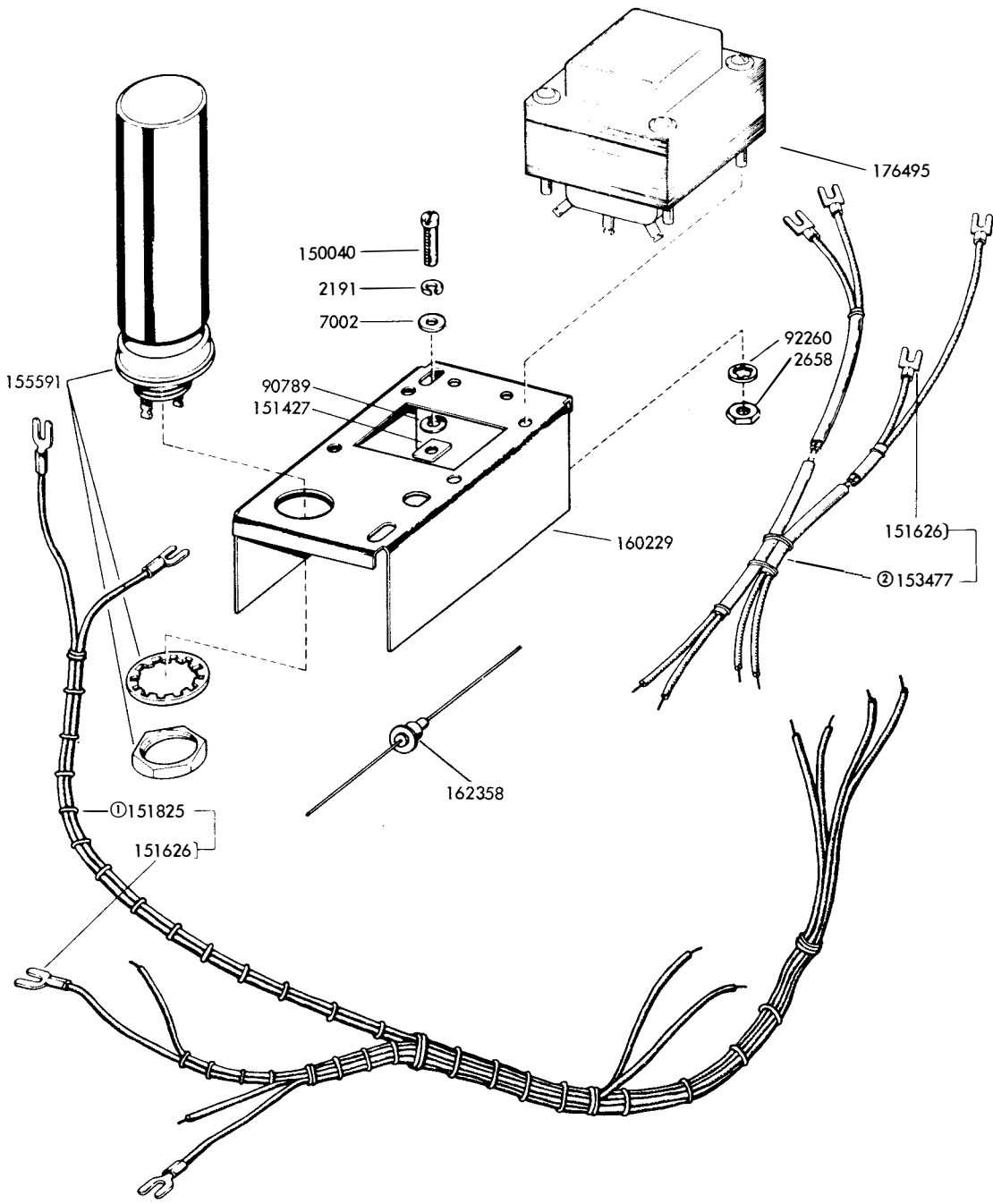
② PECULIAR TO 192669

FIGURE 8. 192669 AND 194369 SELECTOR MAGNET DRIVER ASSEMBLIES
(WITH OPEN LINE DETECTOR)



See Figure 10 for new style

FIGURE 9. EARLY DESIGN RECTIFIER AND CABLE ASSEMBLY (120 MA)



① PECULIAR TO 151999

② PECULIAR TO 152950

SPECIFICATION 5707S

See Figure 9 for Early Design

FIGURE 10. 151999 AND 152950 RECTIFIER AND CABLE ASSEMBLIES (150 MA)

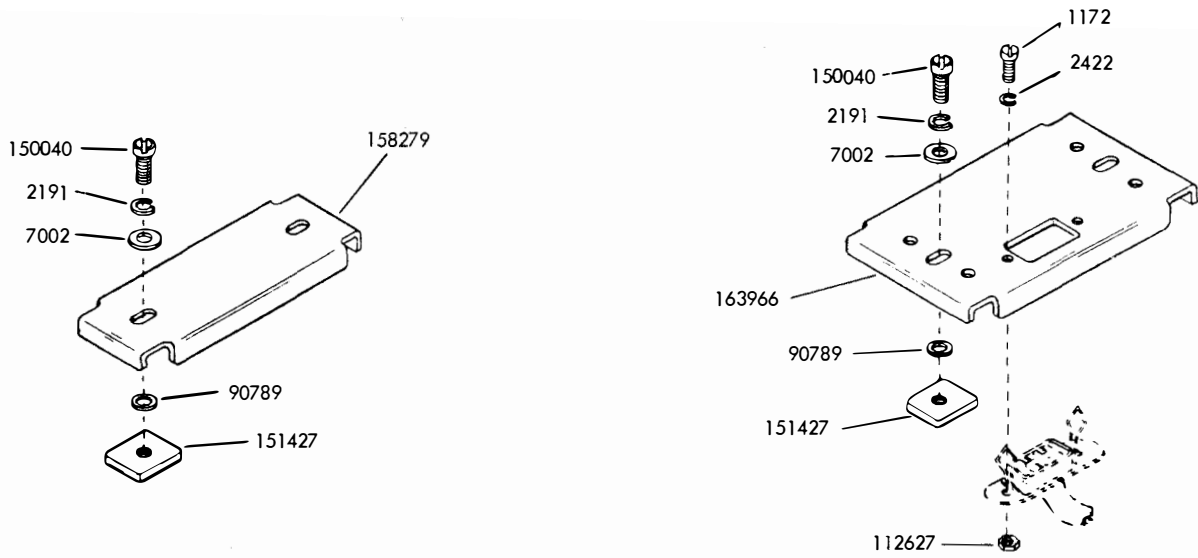


FIGURE 11. VARIABLE FEATURES FOR THE ELECTRICAL SERVICE UNIT

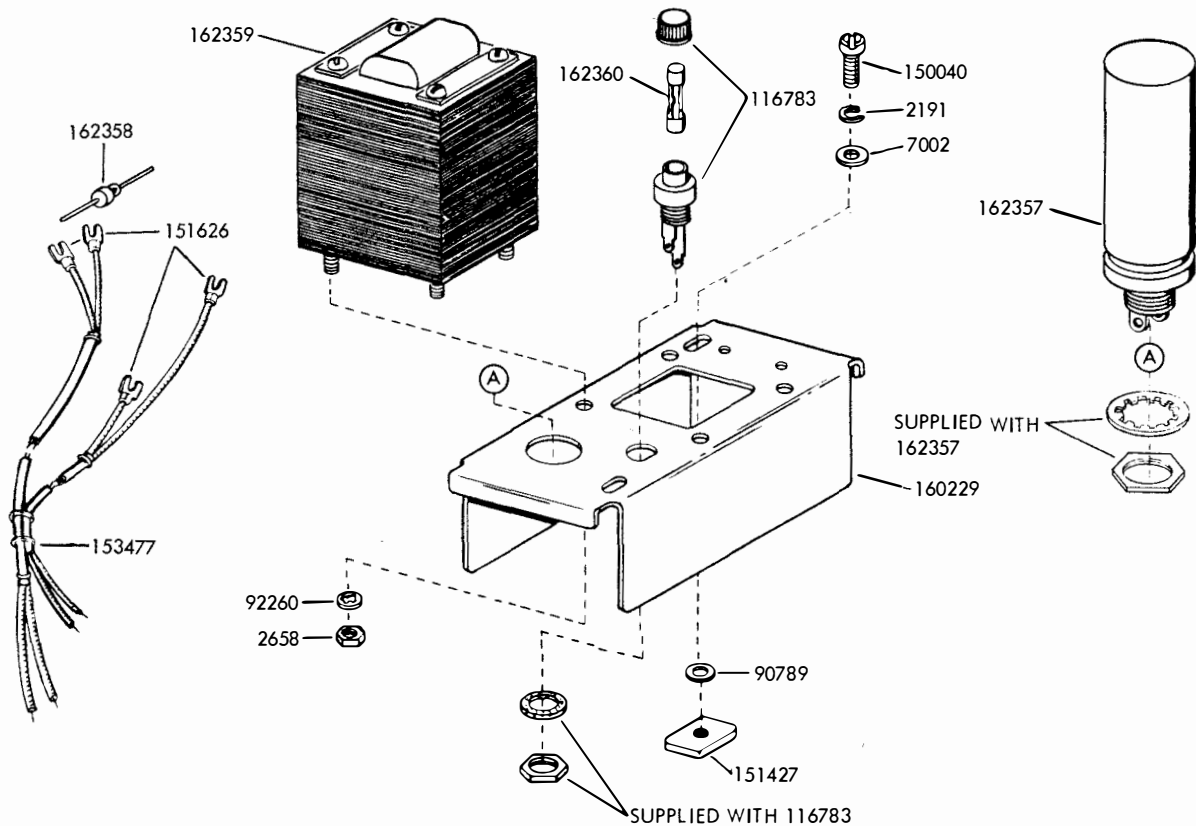


FIGURE 12. 162361 RECTIFIER AND CABLE ASSEMBLY (500MA)

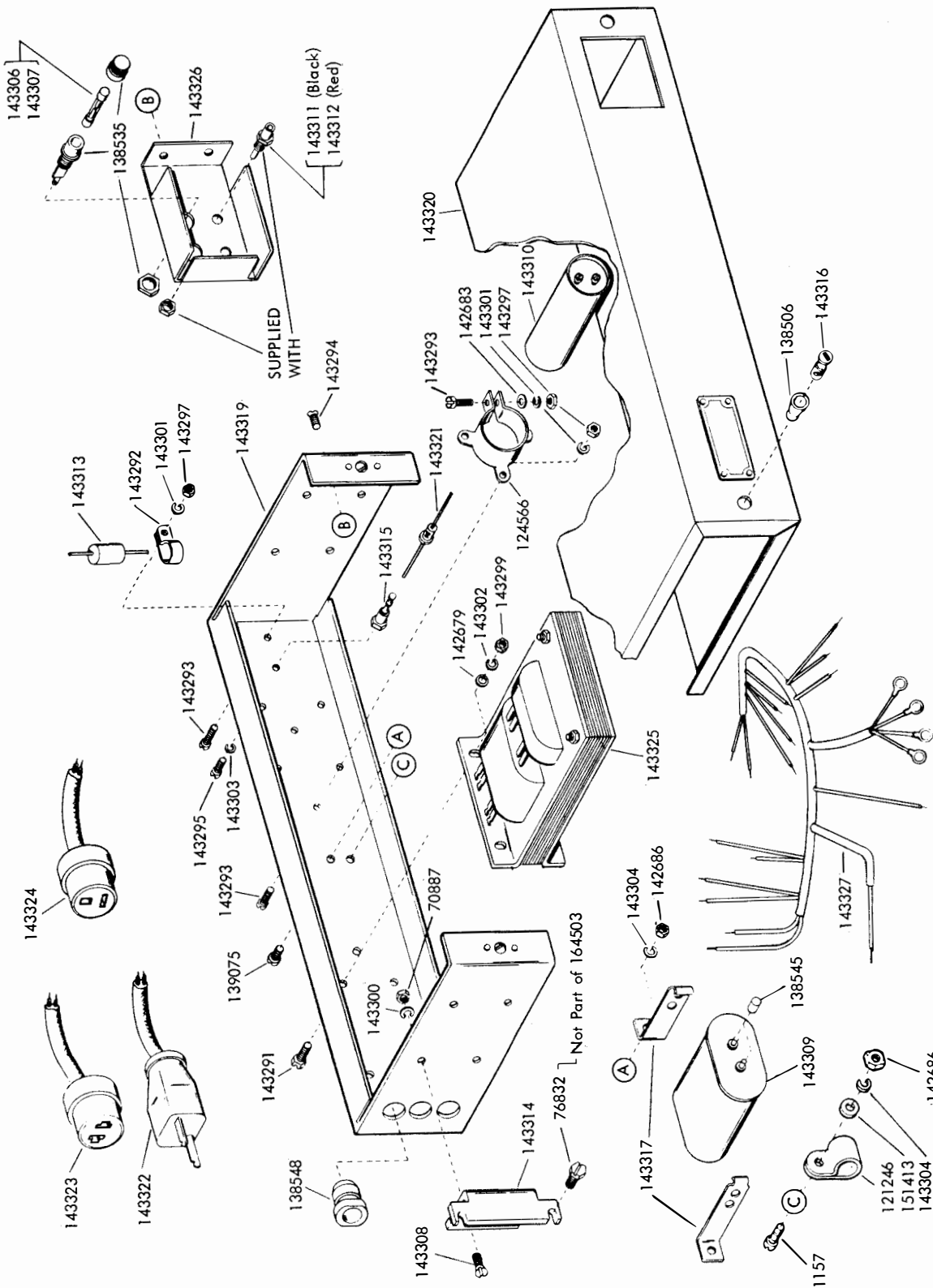


FIGURE 13. 164503 RECTIFIER ASSEMBLY

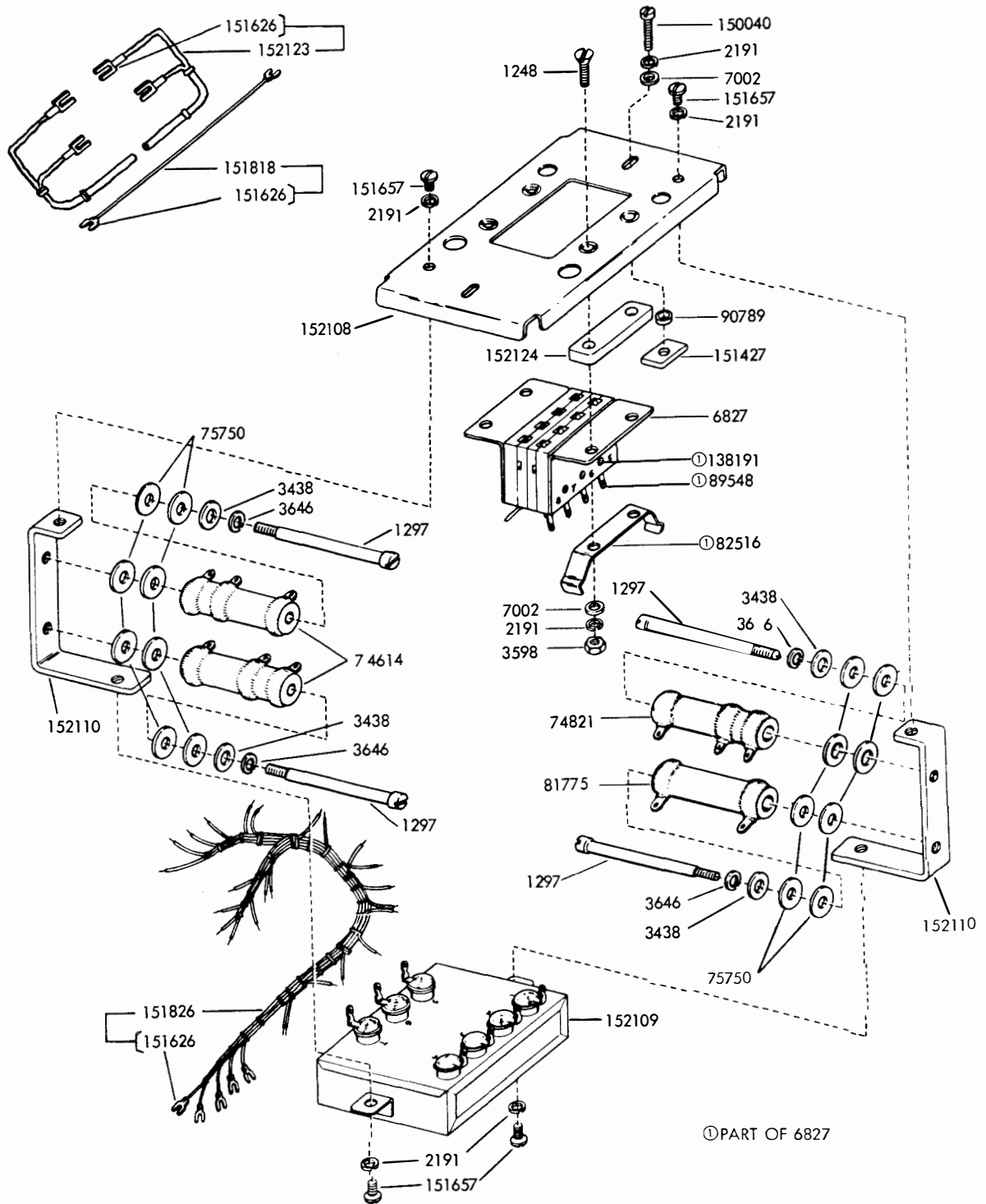


FIGURE 14. 151822 LINE RELAY MOUNTING ASSEMBLY

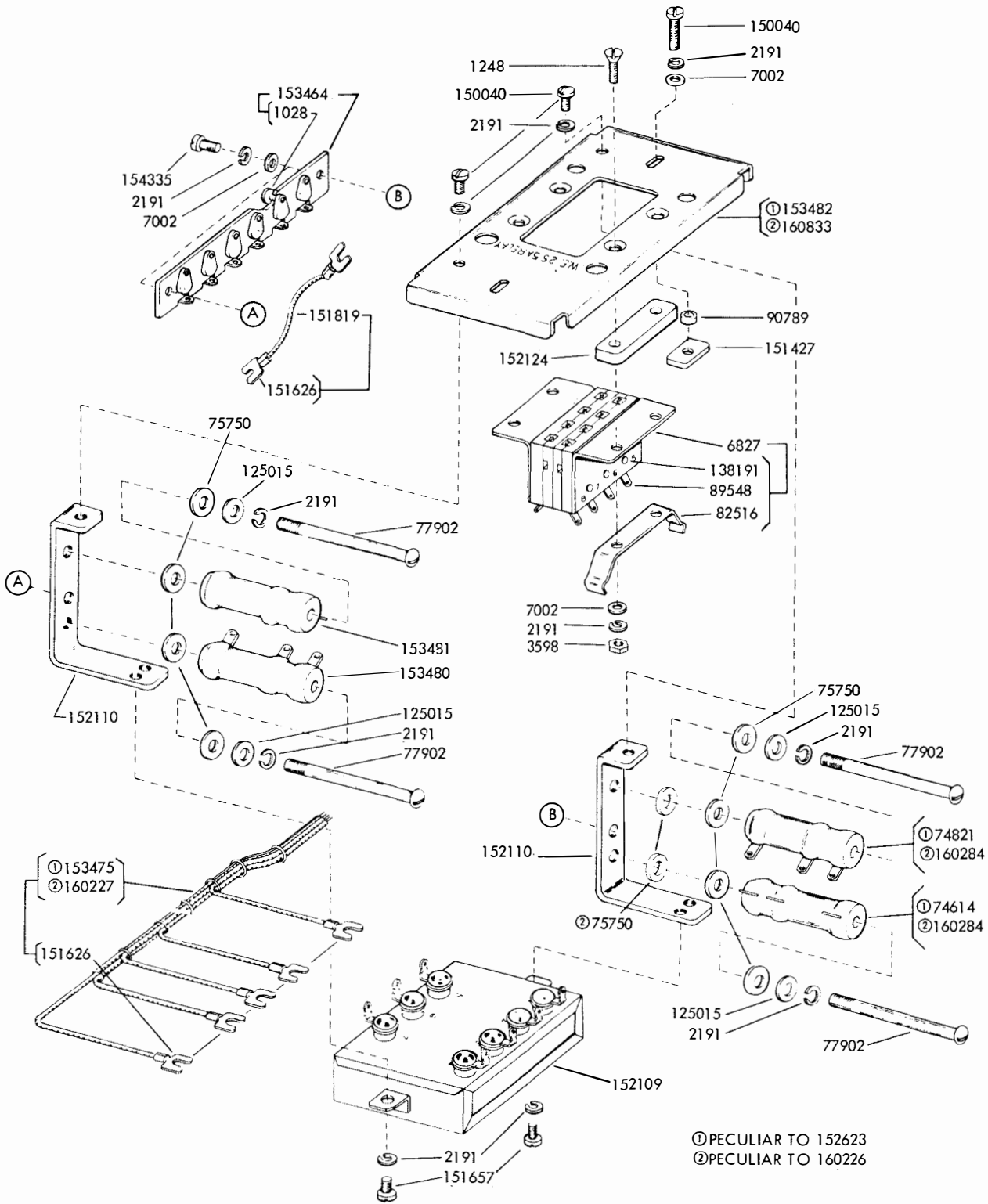


FIGURE 15. 152623 AND 160226 LINE RELAY MOUNTING ASSEMBLIES

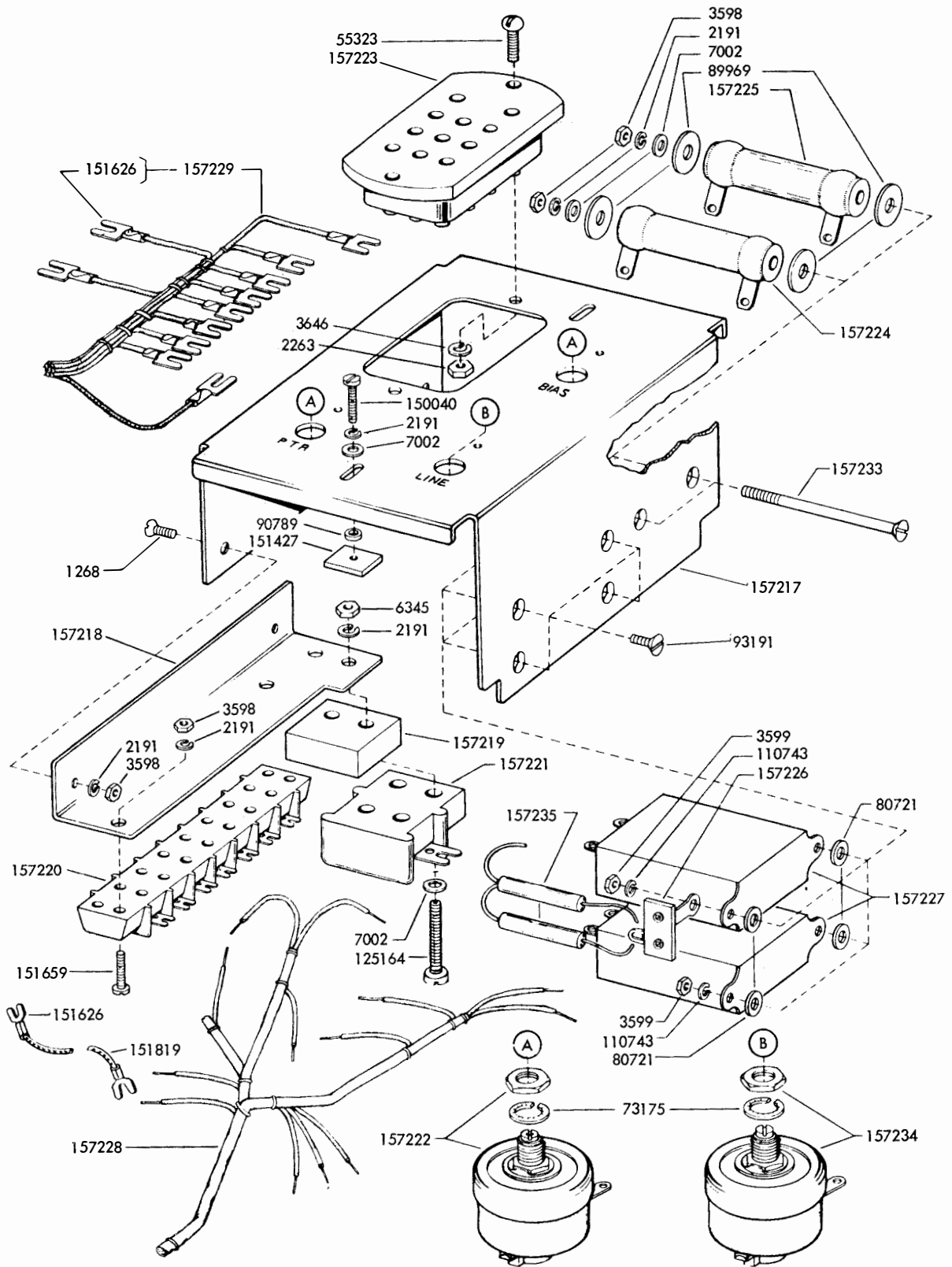


FIGURE 16. 157216 LINE RELAY MOUNTING ASSEMBLY

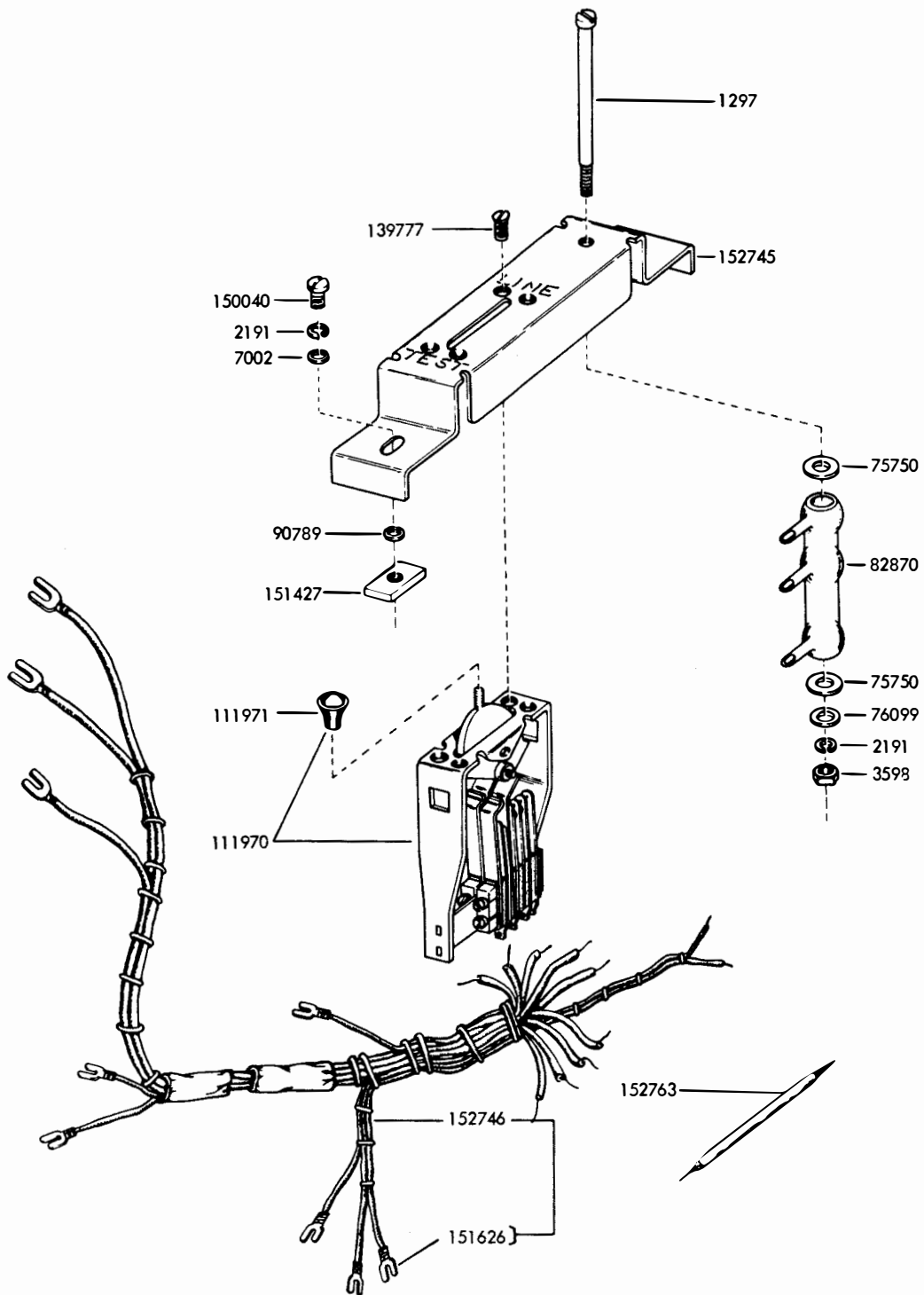


FIGURE 17. 152744 LINE TEST KEY ASSEMBLY

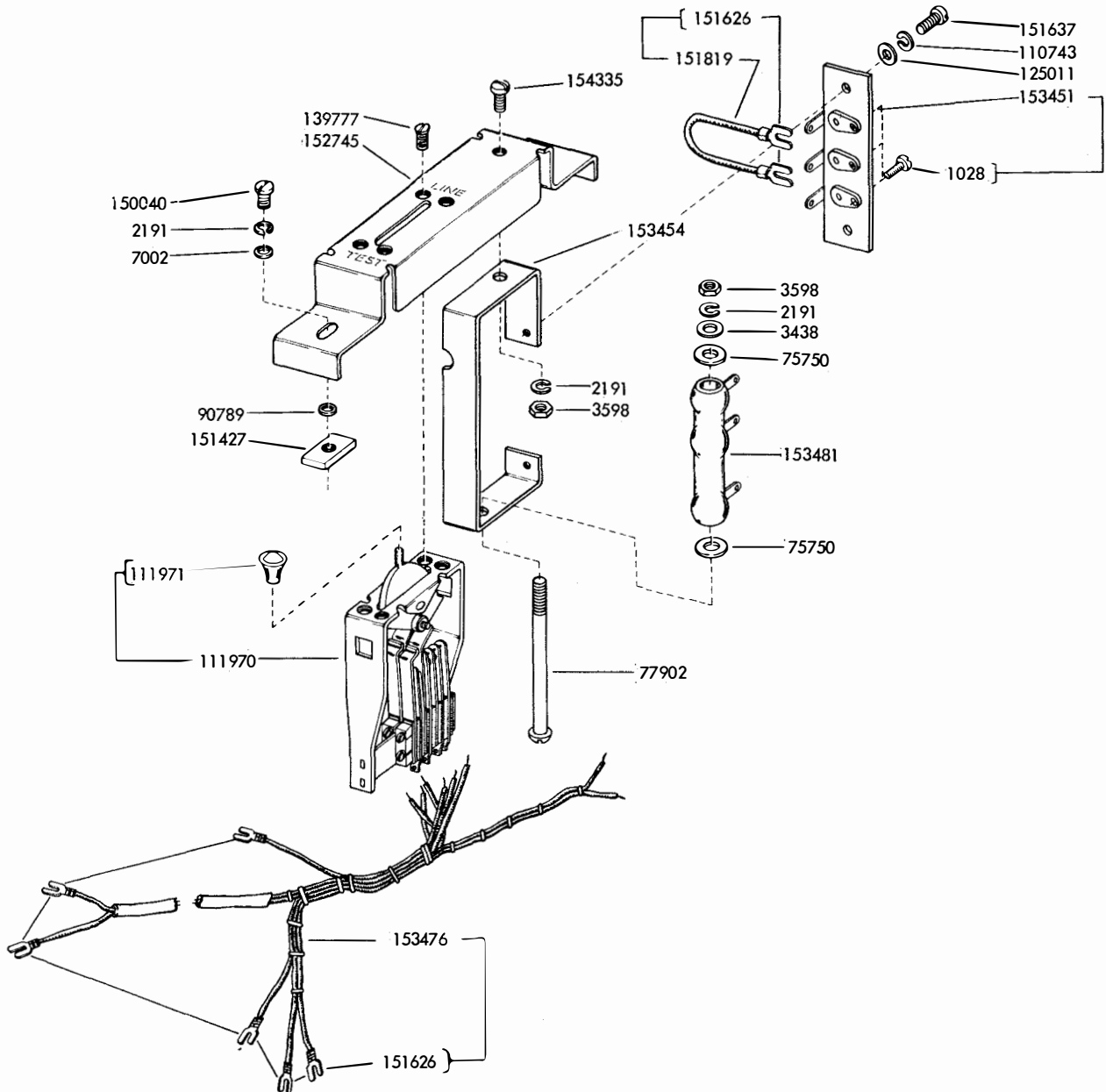


FIGURE 18. 152625 LINE TEST KEY ASSEMBLY

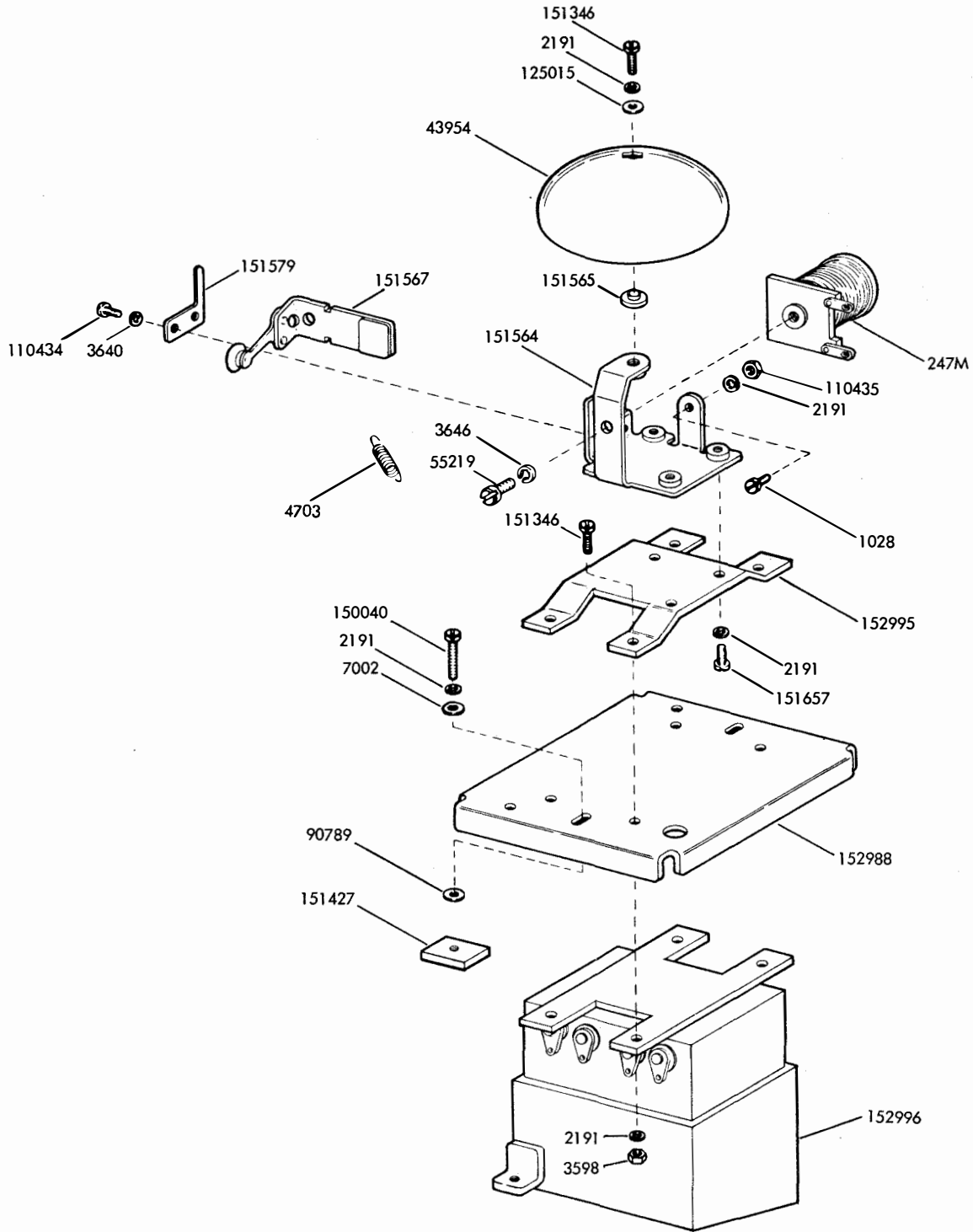
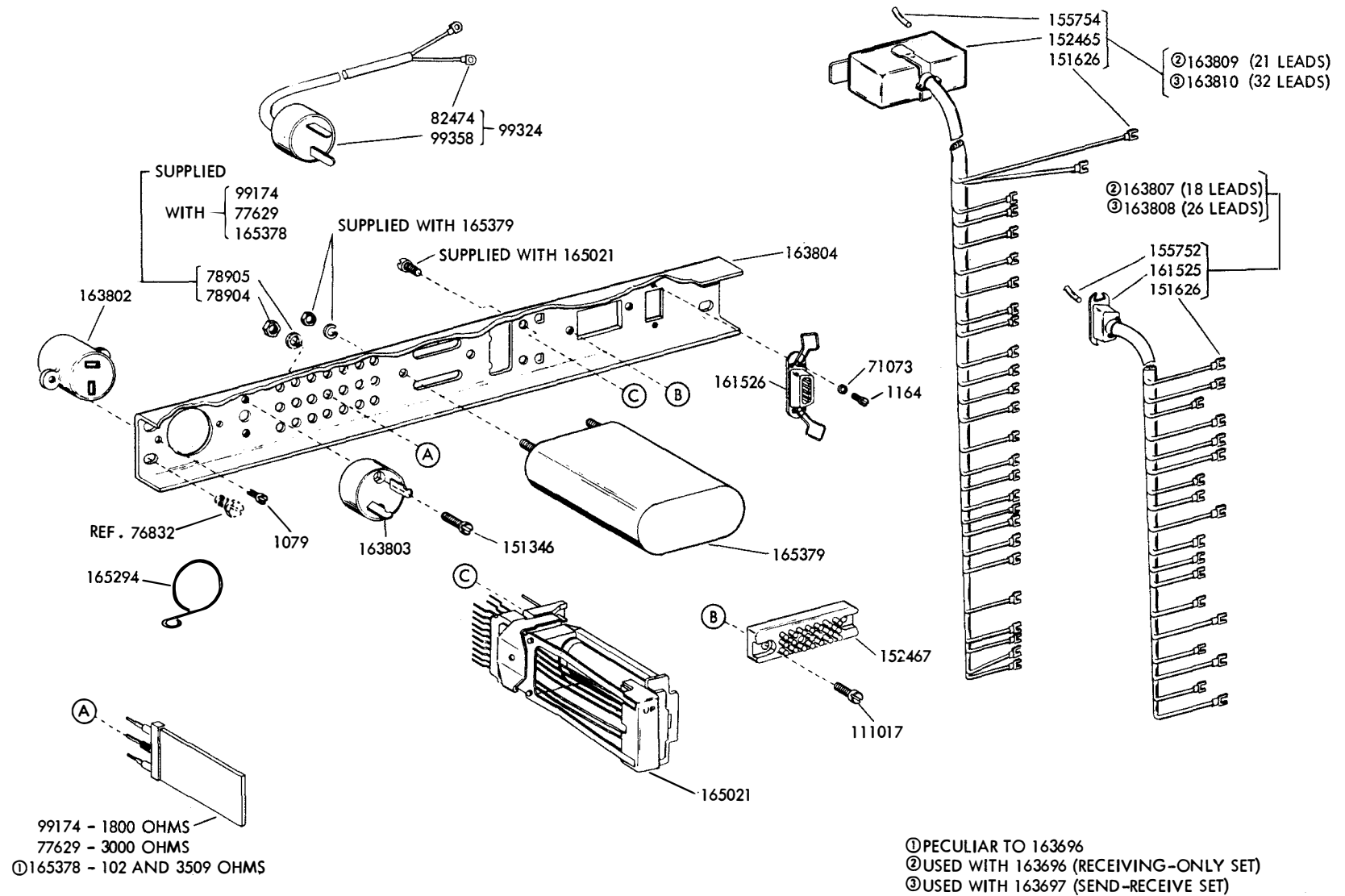


FIGURE 19. FILTER AND BELL ASSEMBLY

FIGURE 20. 163696 AND 163697 RELAY PANEL ASSEMBLIES



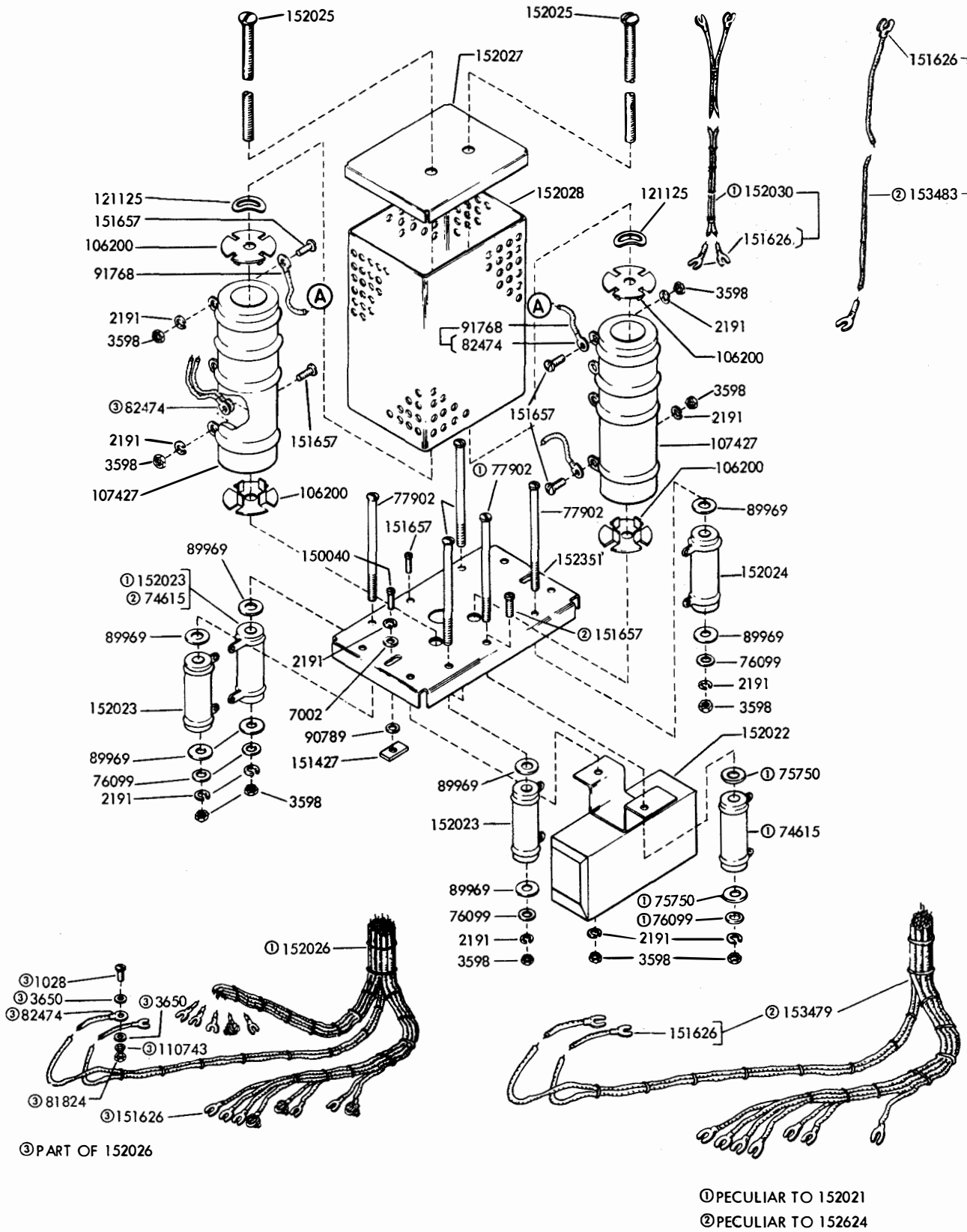


FIGURE 21. 152021 AND 152624 CAPACITOR-RESISTOR ASSEMBLIES

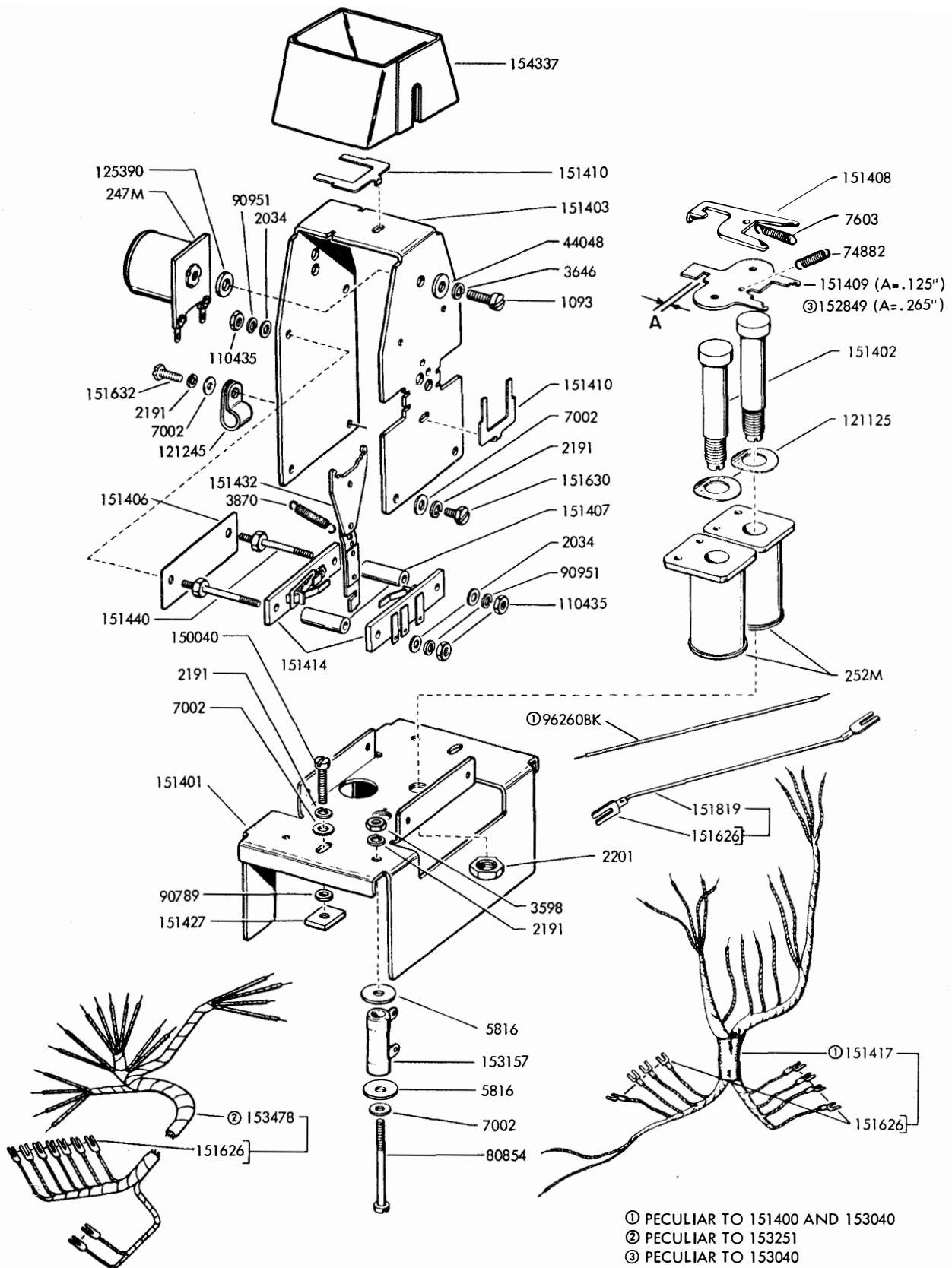


FIGURE 22. 151400, 153040 AND 153251 MOTOR CONTROL ASSEMBLIES

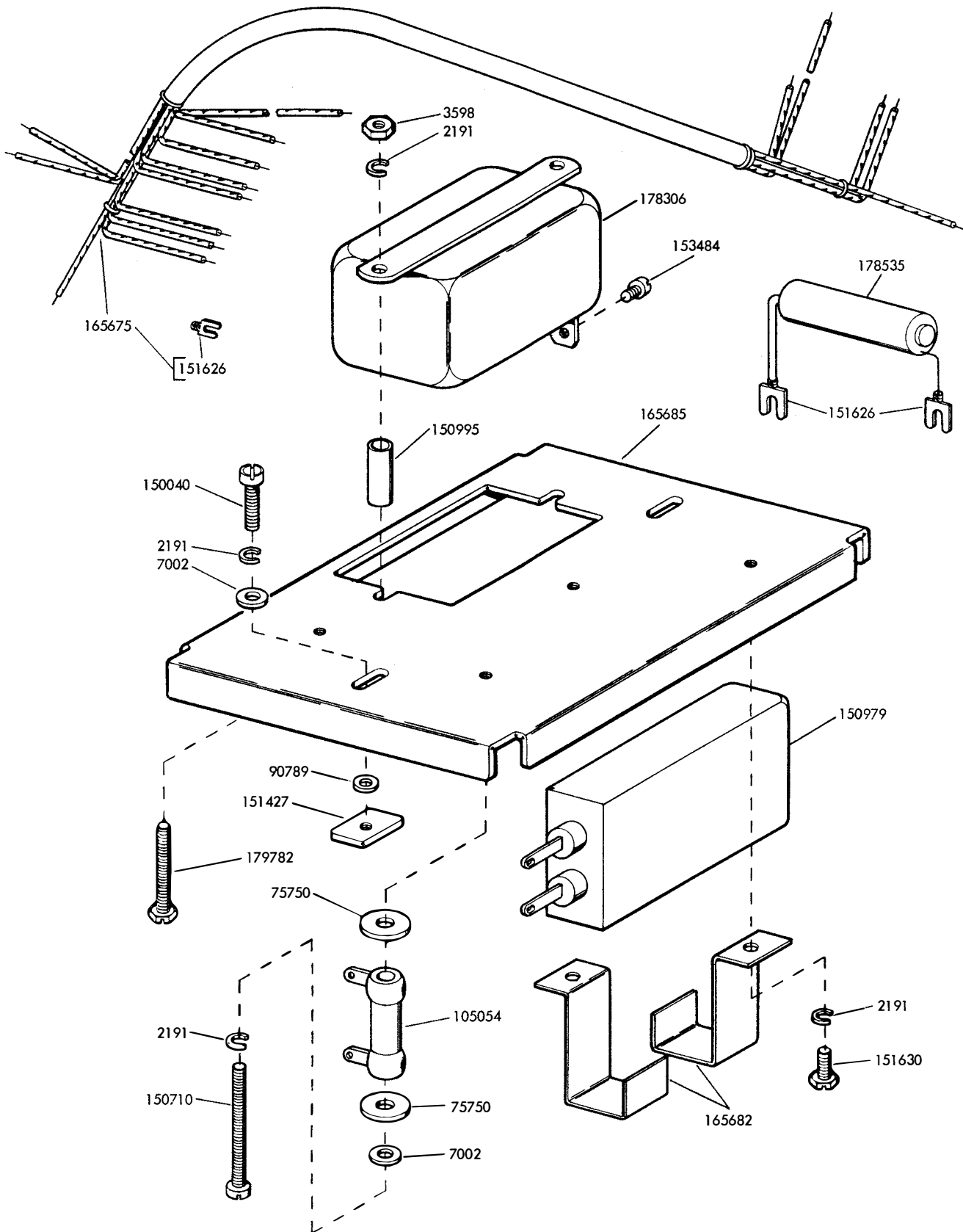
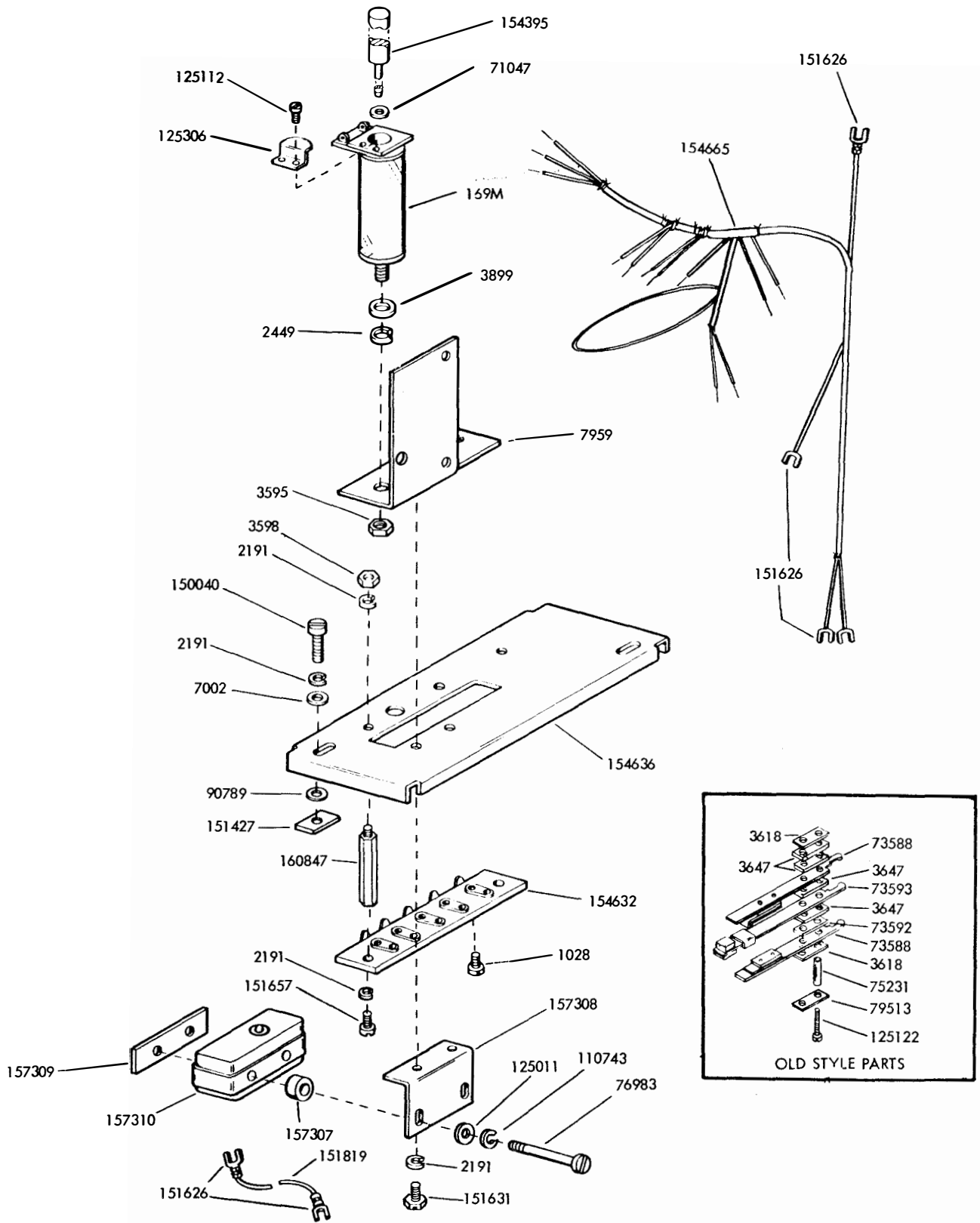


FIGURE 23. 165687 MOTOR CONTROL RELAY ASSEMBLY



Specification 57795

FIGURE 24. 152332 MOTOR CONTROL RELAY ASSEMBLY

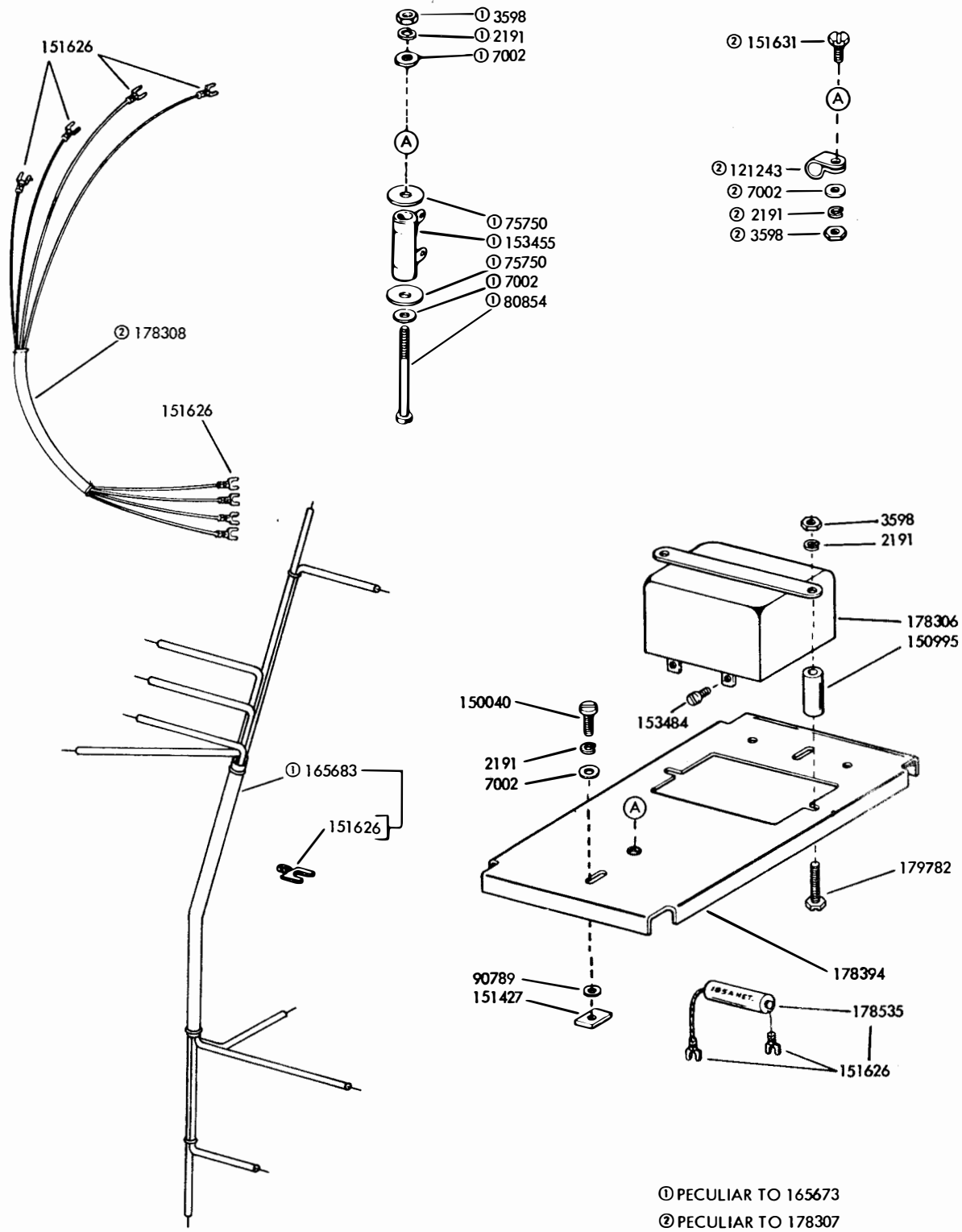


FIGURE 25. 165673 AND 178307 MOTOR CONTROL RELAY ASSEMBLIES

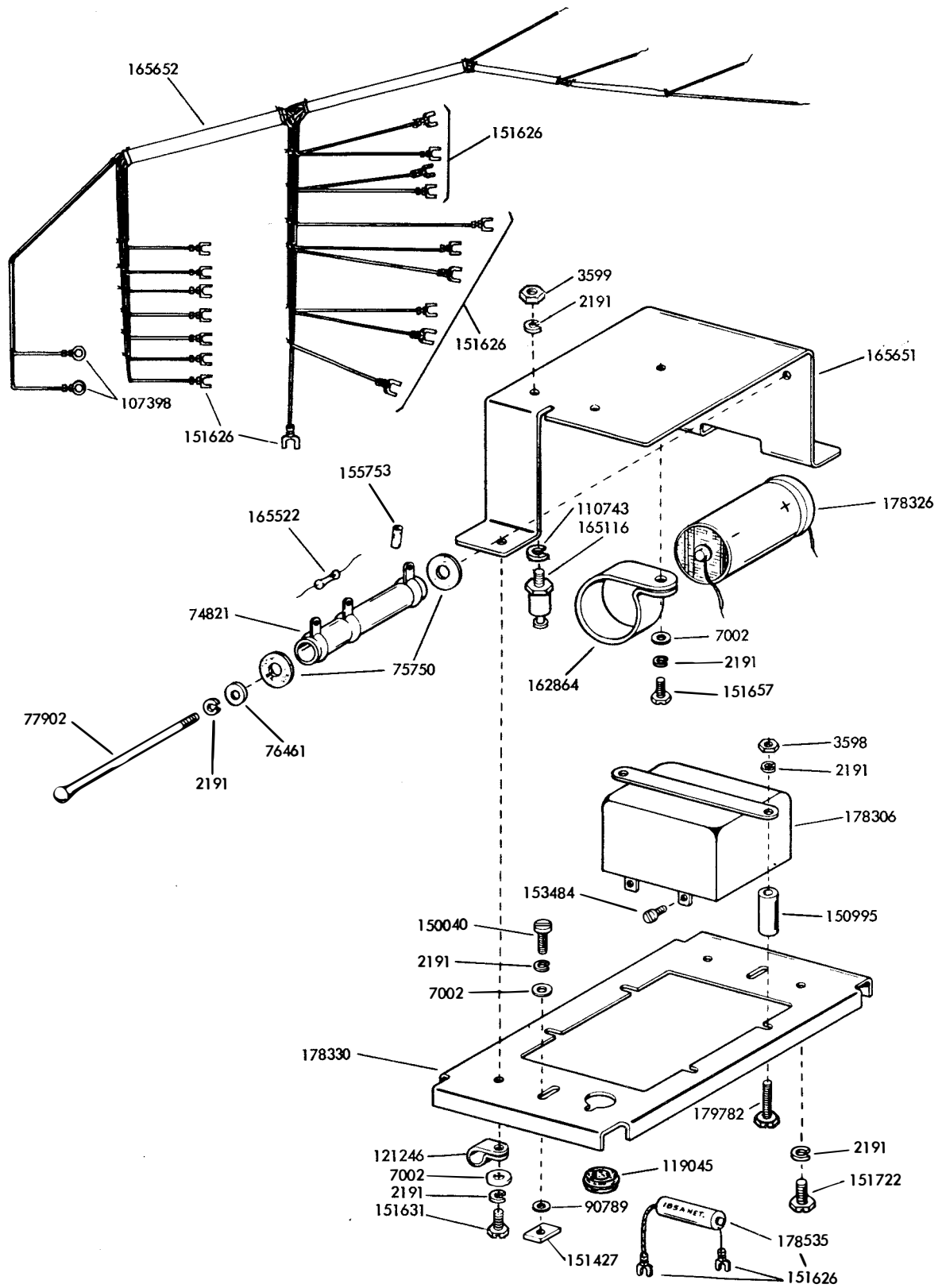


FIGURE 26. 165650 MOTOR CONTROL AND ANSWER-BACK CONTROL RELAY ASSEMBLY

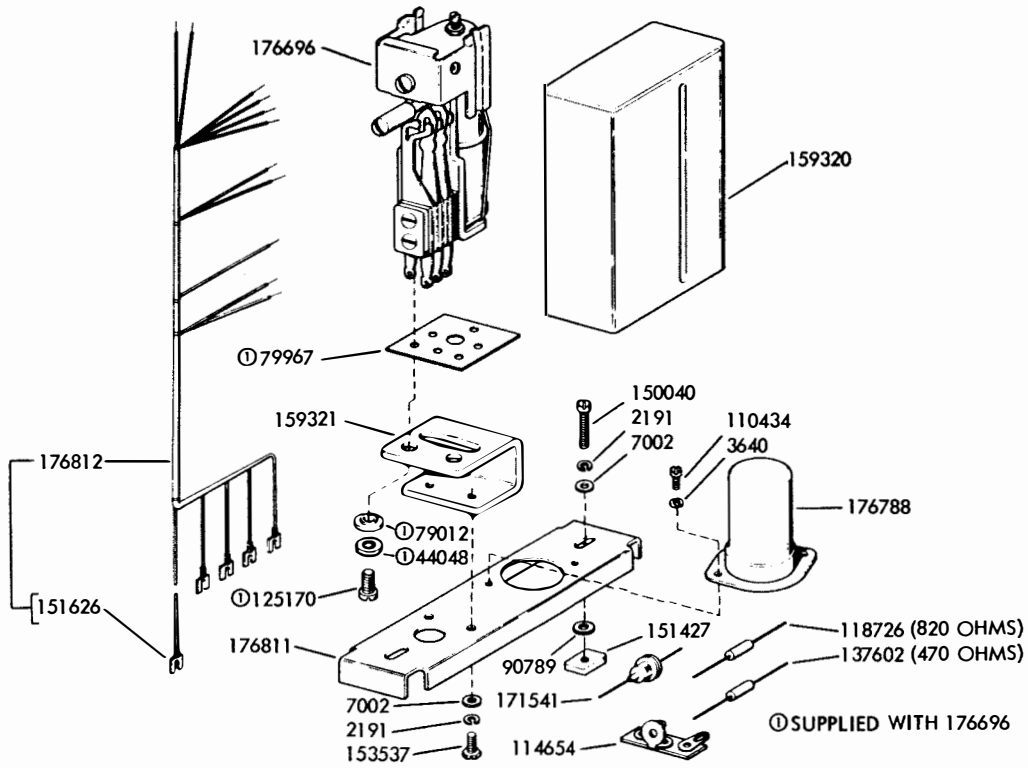


FIGURE 27. 176810 ANSWER-BACK CONTROL RELAY ASSEMBLY

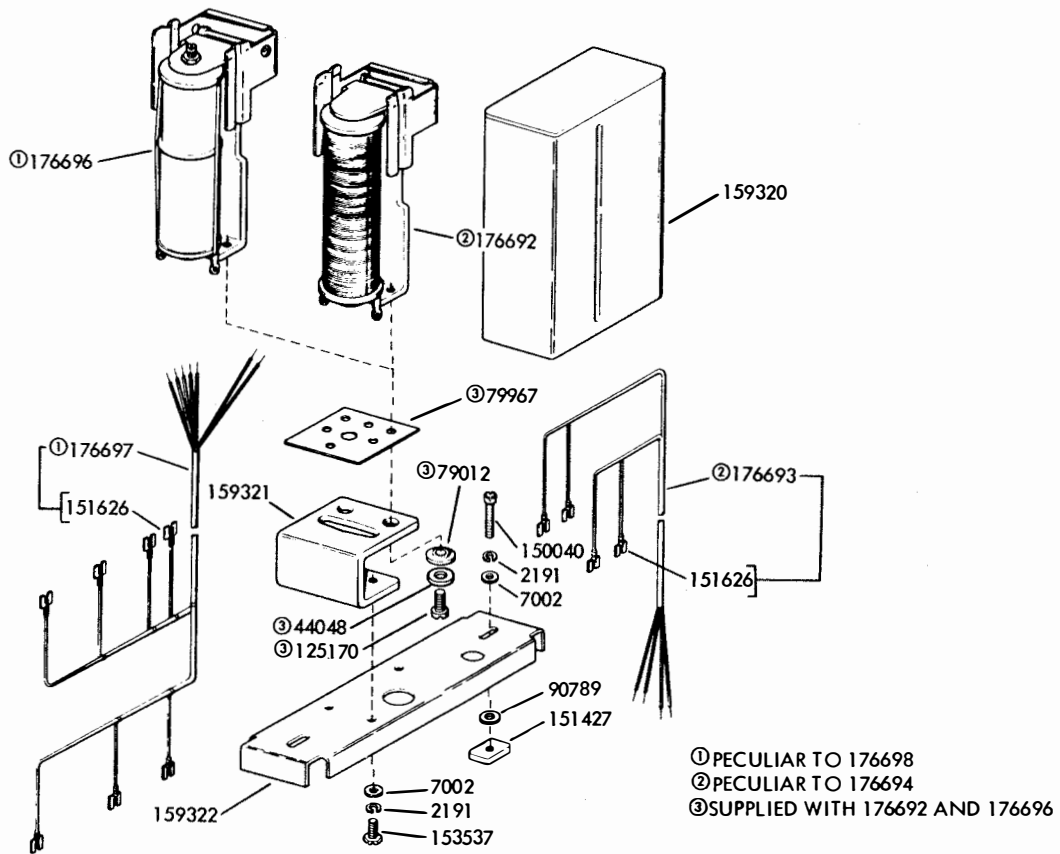
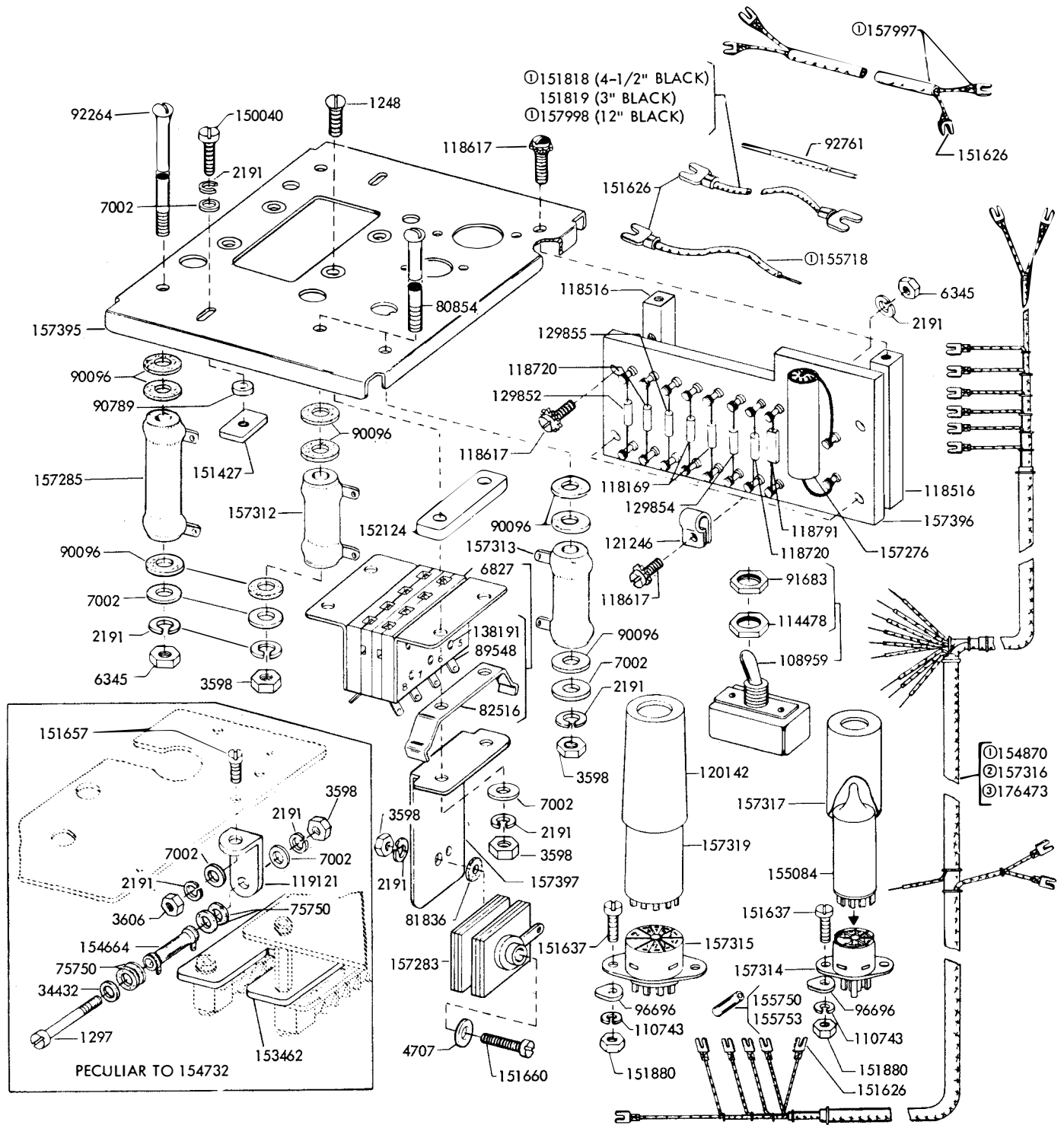


FIGURE 28. 176694 (MOTOR CONTROL) AND 176698 (SLOW RELEASE) RELAY ASSEMBLIES



SPECIFICATION 58715

SPECIFICATION 502885

- ① Peculiar to 154732 (for LESU5)
- ② Peculiar to 154732 (for LESU5) and 154779 (for LESU7 and LESU8)
- ③ Peculiar to 172667 (for LESU54)

FIGURE 29. 154732, 154779 AND 172667 MODIFICATION KITS TO ADD A RELAY SHIFT TO AN ELECTRICAL SERVICE UNIT

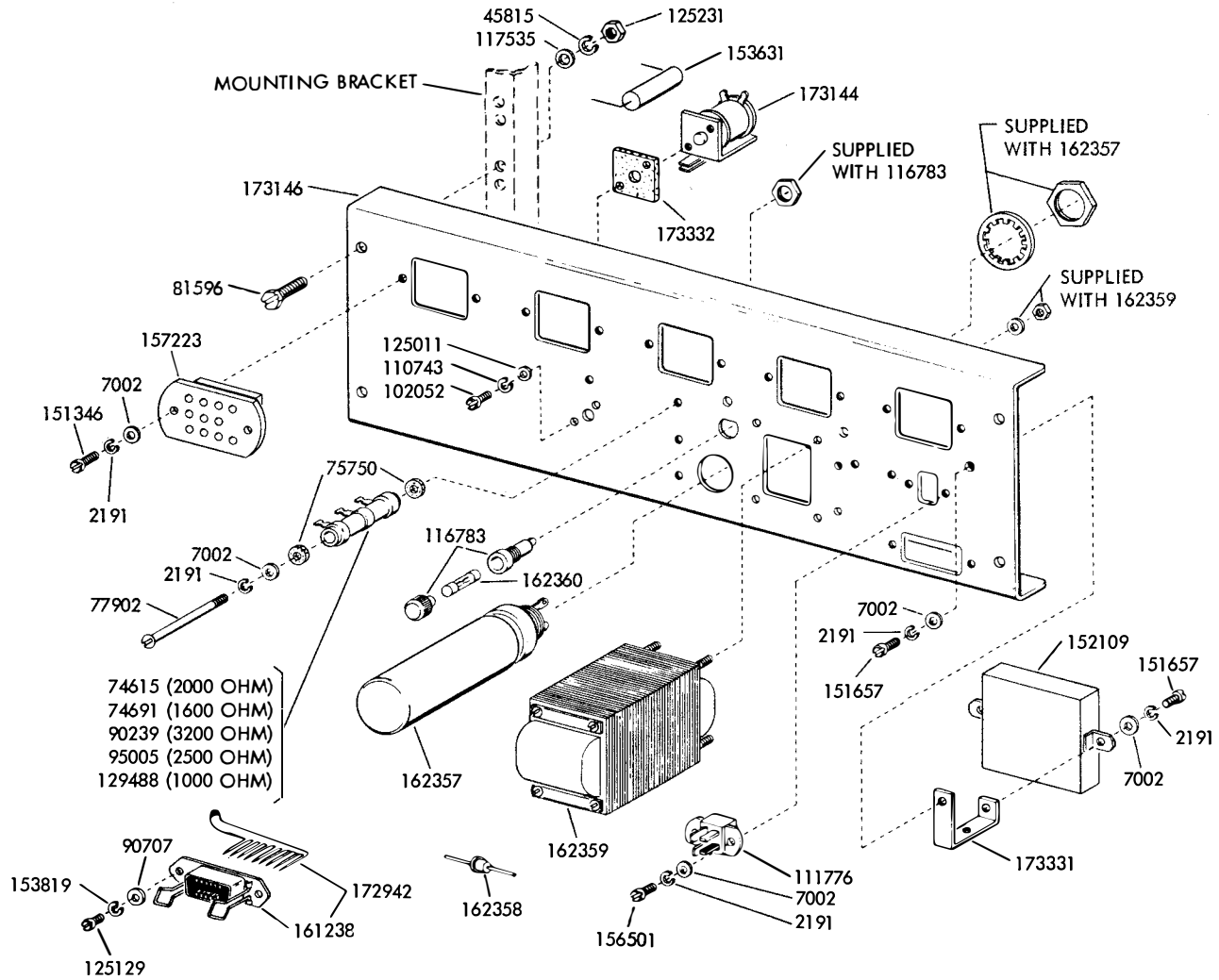


FIGURE 30. 164271 ELECTRICAL SERVICE ASSEMBLY

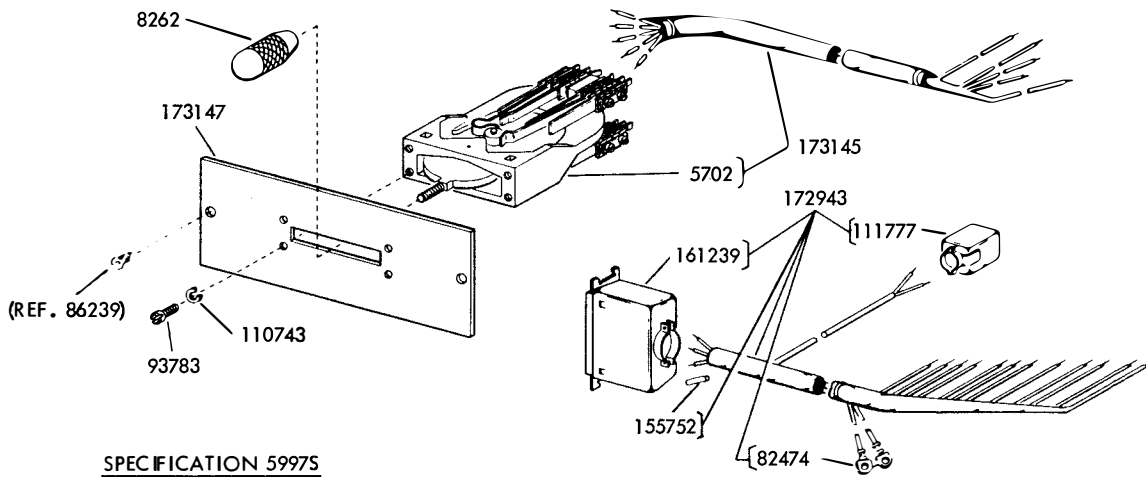
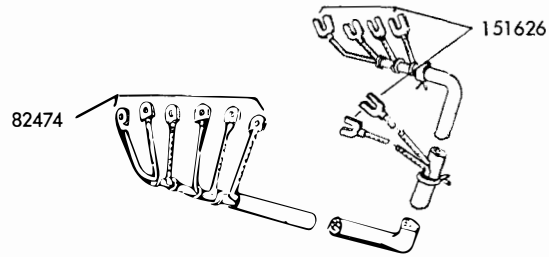
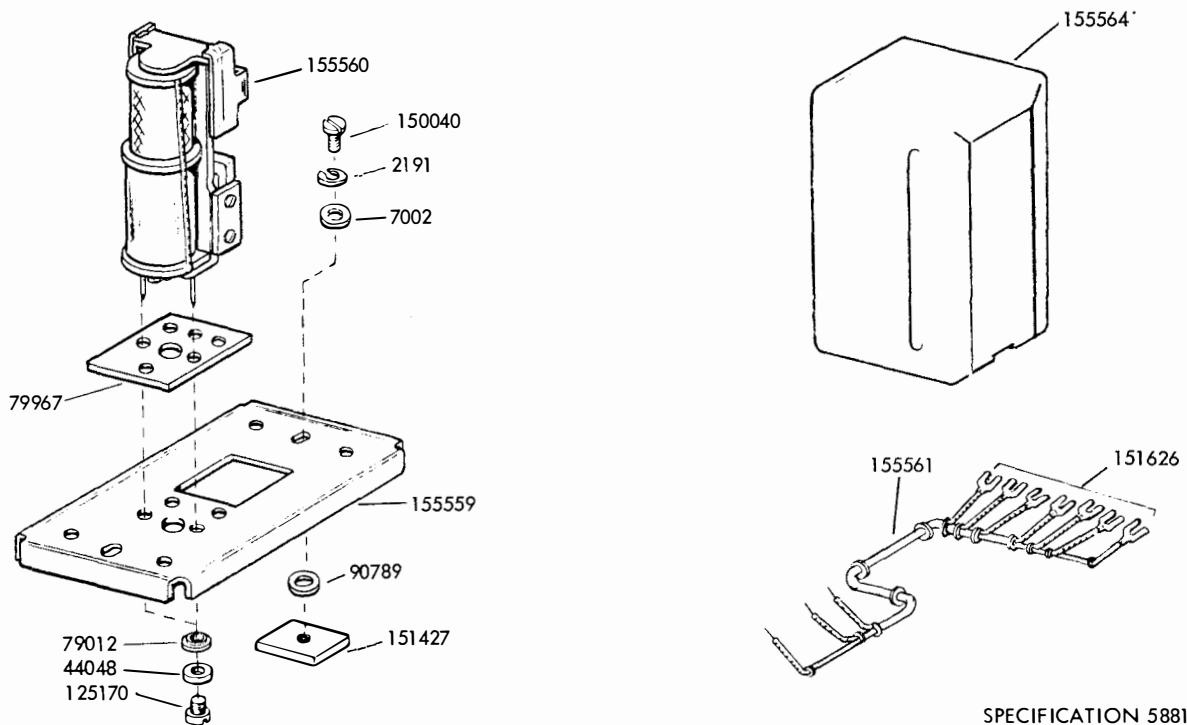


FIGURE 31. 173363 MODIFICATION KIT TO ADAPT A 164271 ELECTRICAL SERVICE ASSEMBLY FOR USE IN A CABINET



160223 (APPROXIMATELY 35" LONG)
 179434 (APPROXIMATELY 92" LONG)

FIGURE 32. 160223 AND 179434 AUXILIARY CABLE ASSEMBLIES



SPECIFICATION 5881 S

FIGURE 33. 15558 DC CONTROL RELAY ASSEMBLY

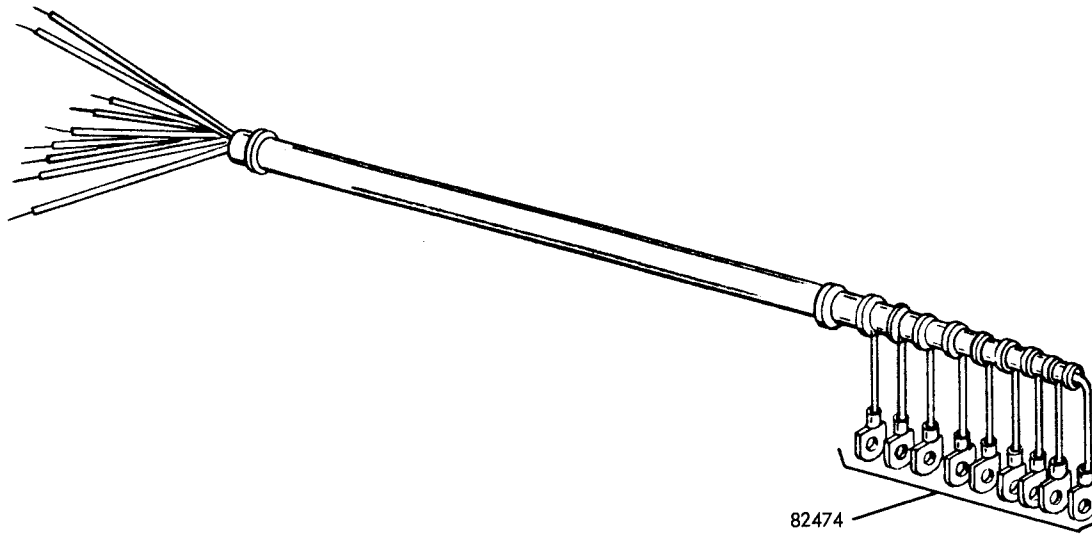
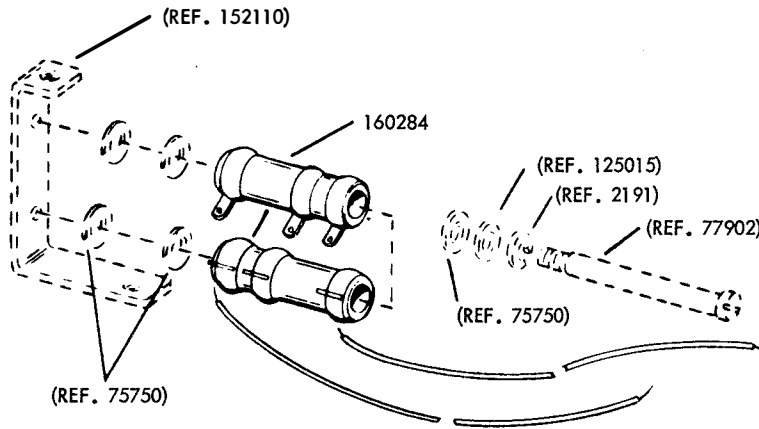


FIGURE 34. 155785 CABLE EXTENSION



SPECIFICATION 56645

FIGURE 35. 159397 MODIFICATION KIT TO CONVERT THE 152623 LINE RELAY MOUNTING ASSEMBLY TO THE 160226 ASSEMBLY

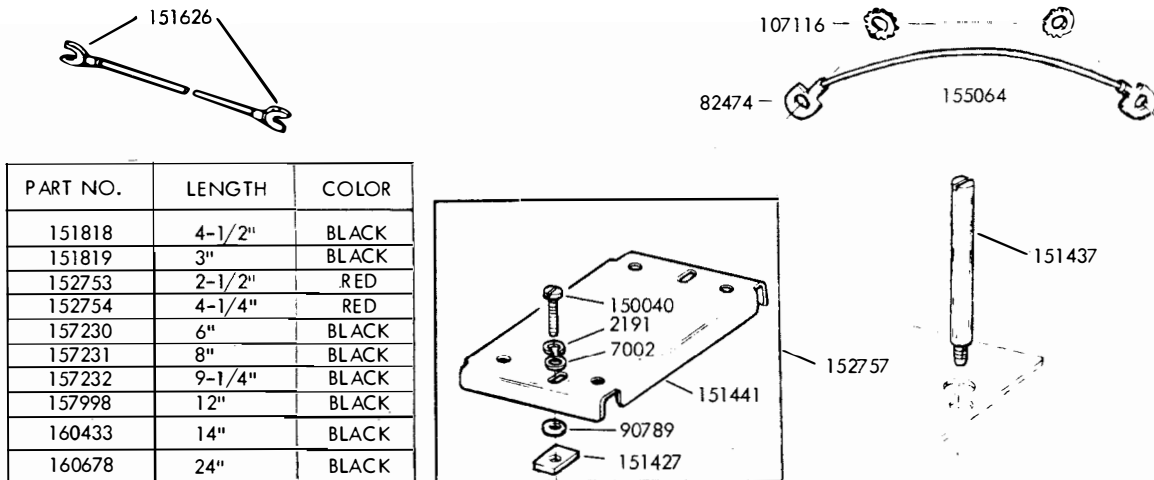
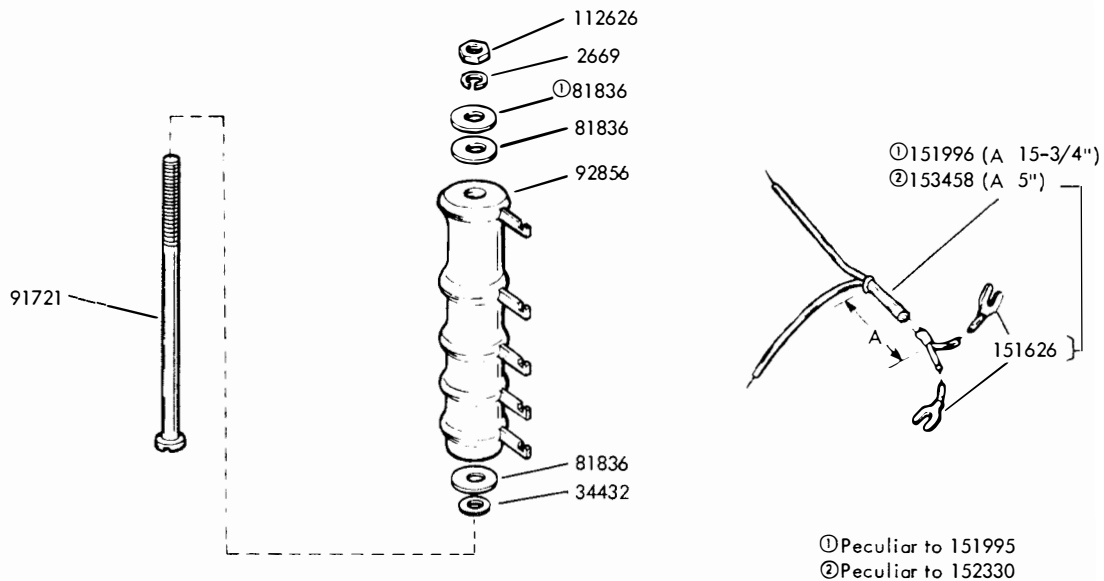
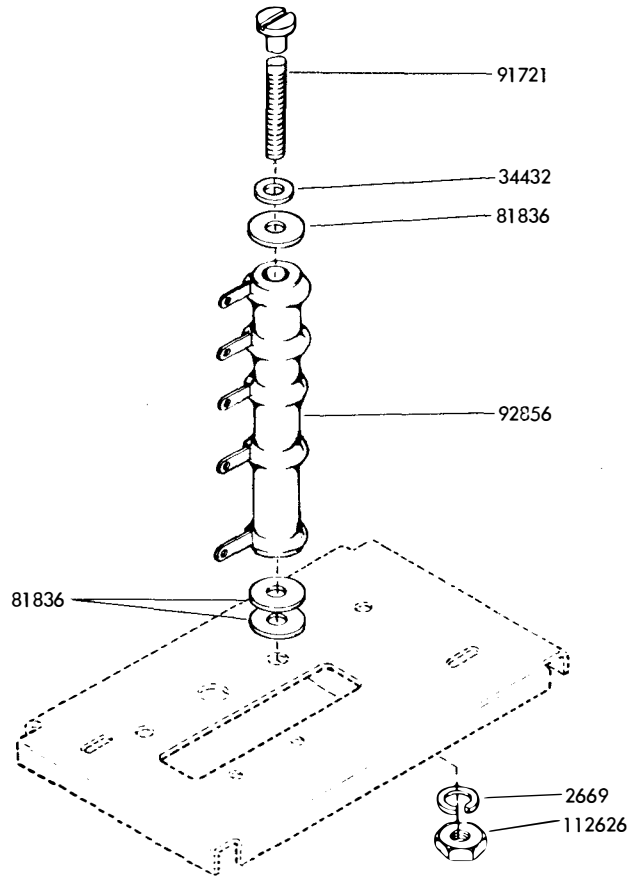


FIGURE 36. VARIABLES FOR THE ELECTRICAL SERVICE UNIT



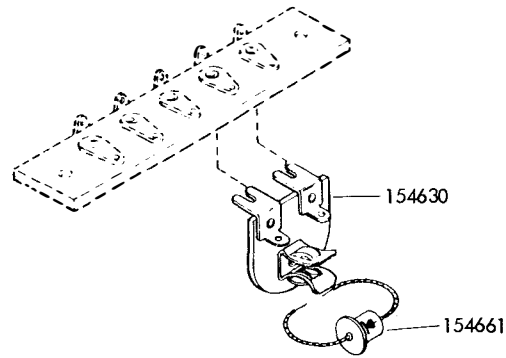
SPECIFICATION 5774S

FIGURE 37. 151995 AND 152330 MODIFICATION KITS TO ADD LINE PAD RESISTOR TO LESU



USED WITH 152332
SEE FIGURE 24

FIGURE 38. 93073 1500 OHM RESISTOR MODIFICATION KIT



Specification 5779S
USED WITH 152332
SEE FIGURE 24

FIGURE 39. 152331 RECTIFIER ASSEMBLY

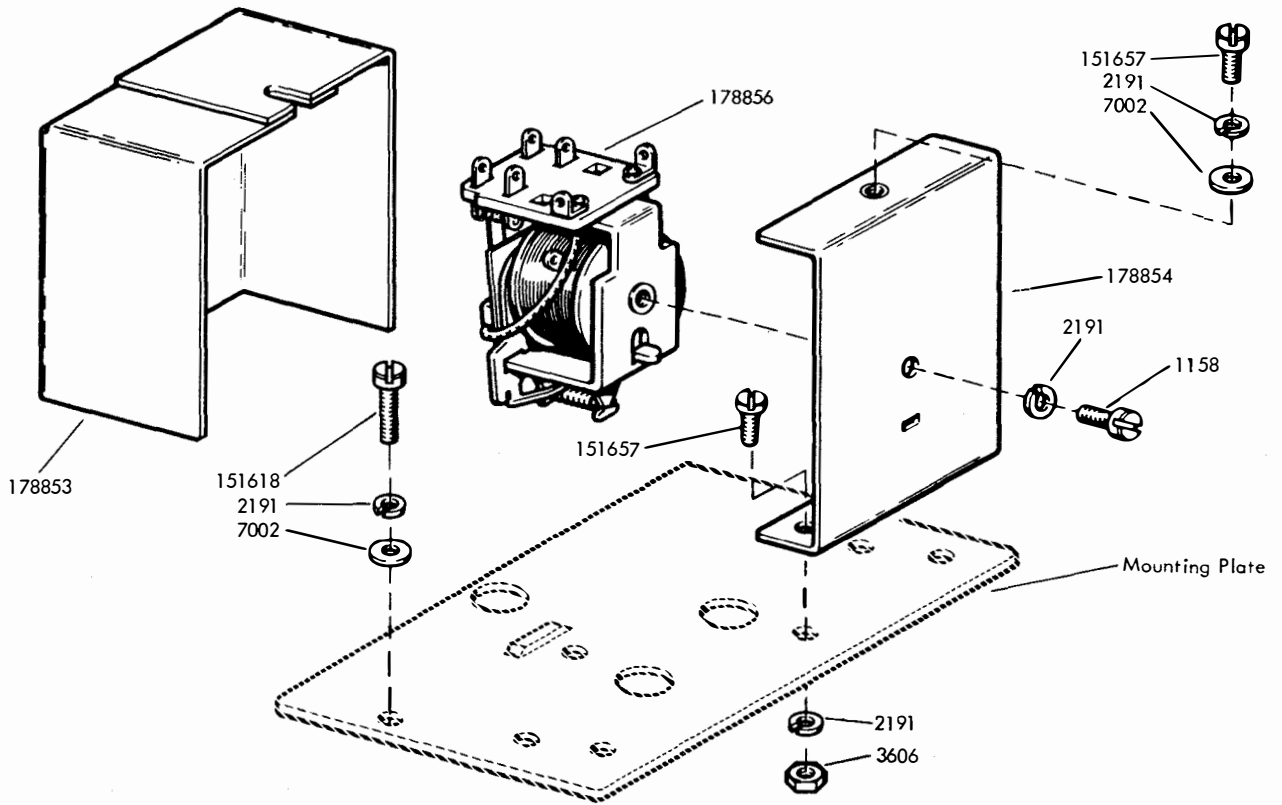
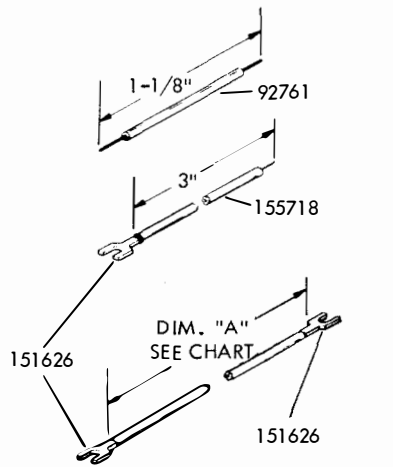


FIGURE 40. LINE SHUNT RELAY (NEW STYLE)



PART NUMBER	"A" DIMENSION	PARTS REQUIRED
151819	3"	151626 (2)
157231	8"	151626 (2)
157232	9-1/4"	151626 (2)

SPECIFICATION 57765

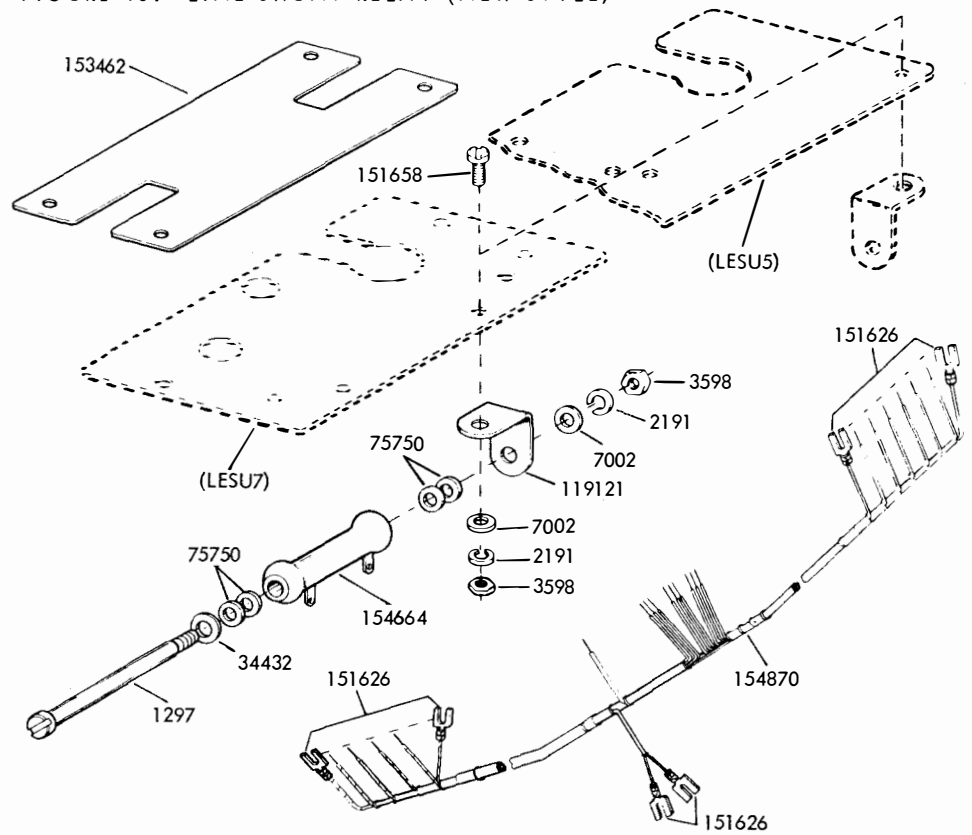




FIGURE 41. 154747 MODIFICATION KIT TO EQUIP AN LESU FOR CONTINUOUS SPACING

CABLE CLAMPS	
	
Part No.	I.D.
121242	1/8
121243	3/16
121244	1/4
121245	5/16
121246	3/8
121247	7/16
121248	1/2
121249	5/8
121250	3/4
121251	1

INSULATING SLEEVES		
		
Part No.	I.D.	Length
155750	3/32	1/2"
155751	1/8	1"
155752	5/64	1/2"
155753	1/8	1/2"
155754	1/16	1/2"
155755	11/64	5/8"

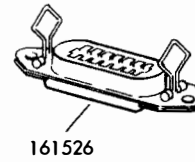
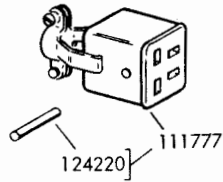
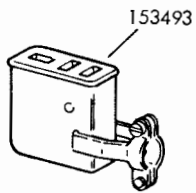
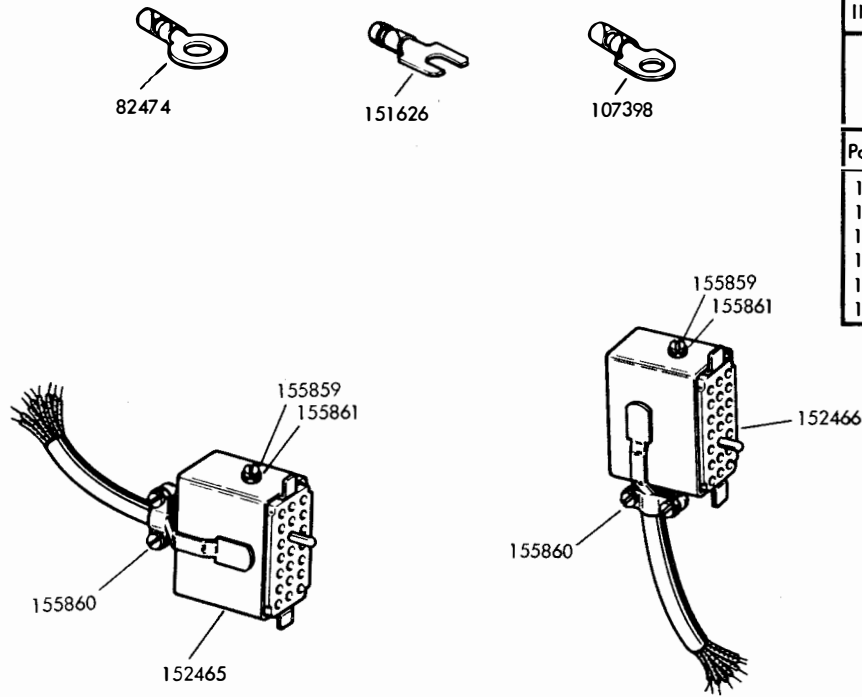
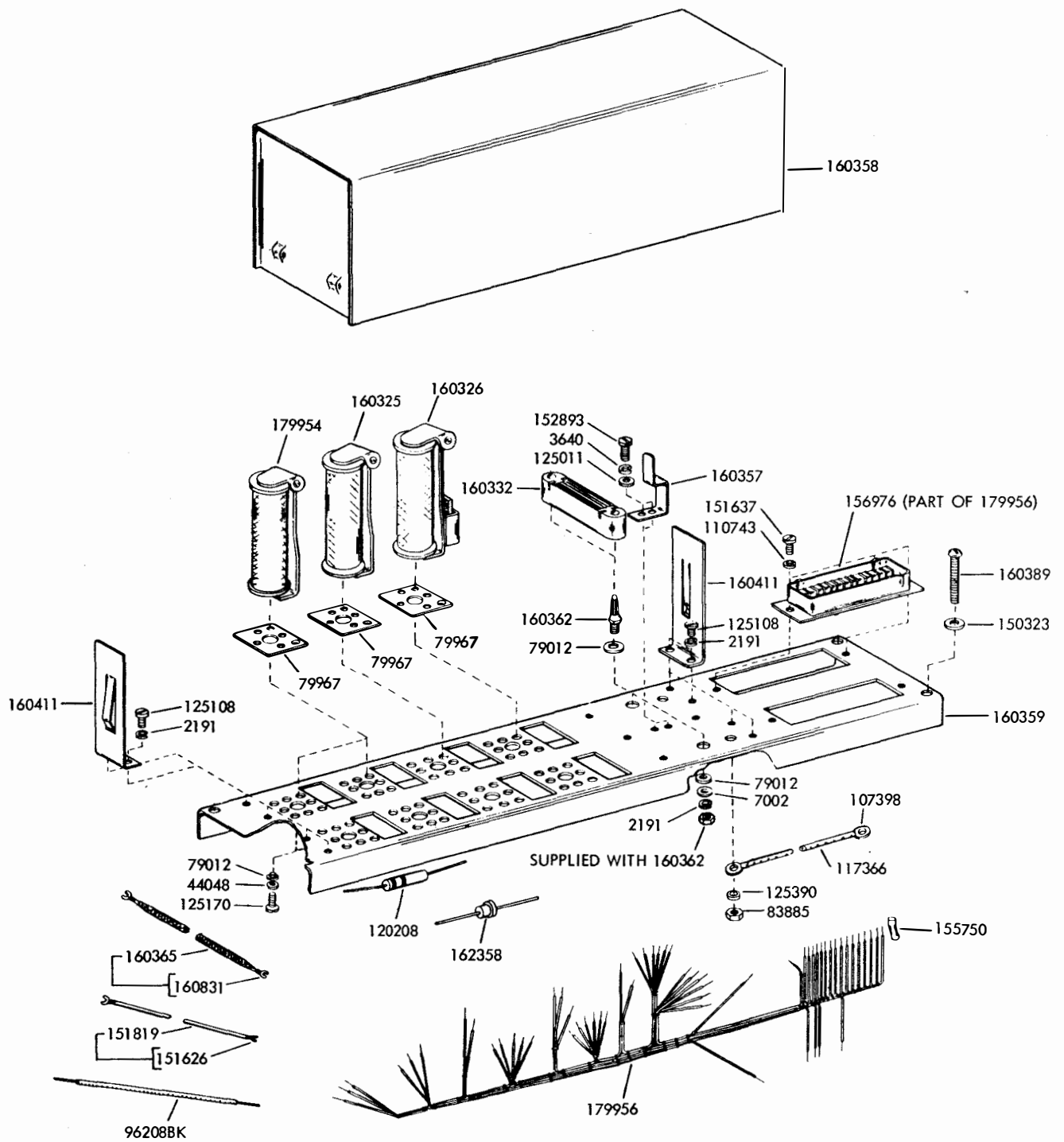


FIGURE 42. CABLE COMPONENTS



SPECIFICATION 58875

FIGURE 43. 179472 MODIFICATION KIT TO PROVIDE TRANSMITTER AND REPERFORATOR CONTROL

NUMERICAL INDEX

Part Number	Description and Page Number	Part Number	Description and Page Number	Part Number	Description and Page Number
169M	Coil, Magnet 25	73588	Spring, Contact 25	107427	Resistor (25 Ohm) 22
247M	Coil, Magnet 20, 23	73592	Plate 25	108959	Switch, Toggle (DP-ST) 29
252M	Coil, Magnet 23	73593	Spring, Contact 25	110434	Screw (4-40 x 3/16 Fil) 20, 28
1018	Screw (3-48 x 5/16 Fil) 6	74614	Resistor (2,600 Ohm) 15, 16	110435	Nut (4-40 Hex) 20, 23
1028	Screw (4-40 x 1/4 Fil) 16, 19, 20, 22, 25	74615	Resistor (2,000 Ohm) 22, 30	110743	Washer, Lock 6, 17, 19, 22, 25, 27, 29, 30, 37
1079	Screw (6-32 x 5/16 Rd) 21	74691	Resistor (1,600 Ohm) 30	111017	Screw (6-40 x 5/16 Fil) 3 To 7, 21
1093	Screw (8-32 x 7/16 Fil) 23	74821	Resistor (2,810 Ohm) 15, 16, 27	111776	Connector, Plug (4 Pt) 30
1157	Screw (8-32 x 1/2 Fil) 3, 6, 14	74882	Spring 23	111777	Connector, Receptacle (4 Pt) 30, 36
1158	Screw (6-32 x 5/16 Fil) 35	75231	Bushing, Insulating 25	111970	Key, Line Test 18, 19
1164	Screw (2-56 x 3/16 Fil) 21	75750	Washer, Insulating 5, 15, 16, 18, 19, 22, 24, 26, 27, 29, 30, 35	111971	Knob 18, 19
1172	Screw (2-56 x 5/16 Fil) 13	76099	Washer, Flat 4, 18, 22	112626	Nut (10-32 Hex) 33, 34
1248	Screw (6-40 x 1/2 Flat) 15, 16, 29	76461	Washer, Flat 27	112627	Nut (2-56 Hex) 13
1268	Screw (6-40 x 5/16 Flat) 17	76832	Screw (12-24 x 5/8 Hex) 14	114478	Nut (15/32-32 Hex) 5, 29
1297	Screw (6-40 x 2-7/16 Fil) 5, 15, 18, 29, 35	76983	Screw (4-40 x 1-1/4 Fil) 25	114654	Strip, Terminal 28
2034	Washer, Flat 23	77629	Resistor (3,000 Ohm) 21	115358	Fuse (1 Amp) 6
2191	Washer, Lock 3 To 13, 15 To 20, 22 To 31, 33, 35, 37	77902	Screw (6-40 x 2-3/8 Rd) 16, 19, 22, 27, 30	116783	Holder, Fuse 3 To 6, 13, 30
2201	Nut (5/16-32 Hex) 23	78904	Nut (8-32 Hex) 21	117366	Jumper (8-1/2" Green) 37
2263	Nut (8-32 Hex) 17	78905	Washer, Insulating 21	117535	Washer, Flat 30
2422	Washer, Lock 13	79012	Insulator 27, 28, 31, 37	118169	Resistor (1.0 Meg Ohm) 29
2449	Washer, Lock 25	79513	Plate, Contact Top 25	118511	Fuse (.125 Amp) 5
2658	Nut (6-32 Hex) 5, 12, 13	79967	Insulator 27, 31, 37	118516	Post 29
2669	Washer, Lock 33, 34	80721	Washer, Flat 17	118617	Screw, Self-Tapping (6-32) 29
3438	Washer, Flat 15, 19	80854	Screw (6-40 x 1-7/16 Fil) 4, 23, 26, 29	118720	Resistor (100,000 Ohm) 29
3595	Nut (1/4-32 Hex) 25	81596	Screw (10-32 x 1-3/8 Hex) 30	118726	Resistor (820 Ohm) 28
3598	Nut (6-40 Hex) 3 To 7, 15 To 21, 23 To 27, 29, 35	81775	Resistor (8,000 Ohm) 15	118791	Capacitor (1,000 MFD) 29
3599	Nut (4-40 Hex) 17, 27	81824	Nut (4-40 Hex) 22	119045	Grommet, Rubber 27
3606	Nut (6-40 Hex) 3, 4, 29, 35	81836	Washer, Insulating 29, 33, 34	119121	Bracket 5, 29, 35
3618	Insulator (.062") 25	82474	Terminal 5, 21, 22, 30 To 33, 36	120142	Shield, Tube 29
3640	Washer, Lock 20, 27, 37	82516	Spring, Retaining 15, 16, 29	120175	Plate (ON-OFF) 4
3646	Washer, Lock 3, 6, 15, 17, 20, 23	82870	Resistor (6,300 Ohm) 18	120195	Rectifier 11
3647	Insulator (.094") 25	83885	Nut (6-32 Hex) 37	120208	Resistor (22 Ohm) 37
3650	Washer, Flat 22	89548	Spring, Contact 15, 16, 29	121125	Washer, Spring 22, 23
3870	Spring 23	89969	Washer, Insulating 4, 17, 22	121242	Clamp, Cable (1/8" ID) 36
3899	Spacer (.188") 25	90096	Washer, Insulating 29	121243	Clamp, Cable (3/16" ID) 26, 36
4703	Spring 20	90239	Resistor (3,200 Ohm) 30	121244	Clamp, Cable (1/4" ID) 36
4707	Washer, Flat 29	90707	Washer, Flat 30	121245	Clamp, Cable (5/16" ID) 23, 36
5702	Key 30	90789	Washer, Flat 5, 6, 8, 10 To 13, 15 To 20, 22 To 29, 31, 33	121246	Clamp, Cable (3/8" ID) 6, 14, 27, 29, 36
5816	Washer, Insulating 23	90951	Washer, Lock 23	121247	Clamp, Cable (7/16" ID) 36
6345	Nut (6-32 Hex) 10, 17, 29	91683	Nut (15/32-32 Hex) 3 To 6, 29	121248	Clamp, Cable (1/2" ID) 3, 36
6827	Block 15, 16, 29	91721	Screw (10-32 x 2-3/4 Fil) 33, 34	121249	Clamp, Cable (5/8" ID) 3, 36
7002	Washer, Flat 3 To 13, 15 To 20, 22 To 31, 33, 35, 37	91768	Jumper (3-1/2" Black) 22	121250	Clamp, Cable (3/4" ID) 3, 36
7603	Spring 23	92260	Washer, Lock 5, 11, 12, 13	121251	Clamp, Cable (1" ID) 36
7959	Bracket, Magnet 25	92264	Screw (6-32 x 2-1/4 Rd) 29	124220	Pin, Drive 36
8262	Knob 30	92527	Washer, Lock 3, 5, 6	124566	Clamp, Condenser 14
34432	Washer, Flat 5, 29, 33, 34, 35	92761	Jumper (1-1/2" Black) 29, 35	125011	Washer, Flat 19, 25, 30, 37
43954	Bell 20	92856	Resistor (1,500 Ohm) 33, 34	125015	Washer, Flat 11, 16, 20
44048	Washer, Flat 3, 6, 23, 27, 28, 31, 37	93073	Modification Kit 34	125108	Screw (6-32 x 3/8 Fil) 37
45815	Washer, Lock 30	93191	Screw (4-40 x 5/16 Flat) 17	125112	Screw (2-56 x 1/8 Fil) 25
49514	Nut (8-32 Hex) 3, 6	93783	Screw (4-36 x 1/4 Fil) 30	125122	Screw (2-56 x 3/4 Fil) 25
55219	Screw (8-32 x 3/8 Fil) 20	95005	Resistor (2,500 Ohm) 30	125129	Screw (3-48 x 3/8 Fil) 30
55323	Screw (8-32 x 1/2 Rd) 17	96208BK	Jumper (3" Black) 37	125164	Screw (6-32 x 1 Fil) 17
61085	Washer, Lock 6	96260BK	Jumper (3-1/2" Black) 23	125170	Screw (8-32 x 5/16 Fil) 28, 31, 37
70073	Nut (3-48 Hex) 6	96696	Terminal 29	125231	Nut (10-32 Hex) 30
70887	Nut (10-24 Hex) 14	99174	Resistor (1,800 Ohm) 21	125306	Stop, Magnet Plunger 25
71047	Washer, Flat 25	99324	Cord Assembly 21	125390	Washer, Flat 23, 37
71073	Washer, Flat 21	99358	Connector, Plug (2 Pt) 21	129488	Resistor (1,000 Ohm) 30
71155	Screw (6-32 x 1-1/4 Flat) 11	105054	Resistor (5 Ohm) 24	129852	Resistor (2,200 Ohm) 29
71646	Nut (6-32 Hex) 11	106200	Washer, Centering 22	129854	Resistor (10,000 Ohm) 29
73175	Washer, Lock 17	107116	Washer, Lock 33	129855	Resistor (51,000 Ohm) 29
		107393	Switch, Toggle (SP-ST) 3	129919	Fuse (4 Amp) 4, 5
		107398	Terminal 27, 36, 37	131228	Washer, Insulating 10
				137602	Resistor (470 Ohm) 28

NUMERICAL INDEX (Continued)

Part Number	Description and Page Number	Part Number	Description and Page Number	Part Number	Description and Page Number
138191	Screw (3-48 x 1 Rd) 15, 16, 29	151403	Frame 23	152022	Suppressor, Electrical Noise 22
138506	Grammet, Fastener 14	151406	Plate, Insulating 23	152023	Resistor (400 Ohm) 22
138535	Holder, Fuse 14	151407	Collar, Spacing 23	152024	Resistor (1 Ohm) 22
138538	Fuse (2 Amp SL-BL) 5	151408	Lever 23	152025	Bolt (1/4-20 x 5 Rd) 22
138545	Cap, Insulator 14	151409	Armature 23	152026	Cable W/Terminals 22
138548	Connector, Cord 14	151410	Clip, Retaining 23	152027	Plate 22
139075	Screw (8-32 x 1/4 Fil) 14	151411	Block, Terminal 3 To 7	152028	Guard 22
139777	Screw (3-56 x 1/4 Flat) 18, 19	151412	Insulator (1-9) 3 To 7	152030	Cable W/Terminals 22
142269	Fuse (3 Amp SL-BL) 4	151413	Washer, Flat 14	152108	Plate, Relay 15
142679	Washer, Flat 14	151414	Switch, Sensitive 23	152109	Filter 15, 16, 30
142683	Washer, Flat 14	151416	Nut (6-40 Hex) 3 To 7	152110	Bracket, Resistor Mounting 15, 16
142686	Nut (8-32 Hex) 14	151417	Cable W/Terminals 23	152123	Cable W/Terminals 15
142899	Connector, Receptacle (24 Pt) 6	151418	Fuse (10 Amp) 3, 4, 7	152124	Spacer 15, 16, 29
143291	Screw (1/4-20 x 5/8 Hex) 14	151421	Plate 3	152330	Modification Kit 33
143292	Clamp, Tube 14	151422	Connector, Receptacle (2 Pt) 3, 4, 6	152331	Rectifier Assembly 34
143293	Screw (6-32 Spl) 14	151423	Plate 3	152332	Control Assembly, Motor 25, 34
143294	Screw (8-32 x 3/8 Flat) 14	151426	Plate, Blank (3-3/4" Wide) 5	152351	Plate 22
143295	Screw (4-40 x 1/4 Rd) 14	151427	Plate, Clamp 5, 6, 8, 10 To 13, 15 To 20, 22 To 29, 31, 33	152426	Nut, Self-Locking (6-40) 10
143297	Nut (6-32 Hex) 14	151432	Armature 23	152465	Connector, Receptacle (20 Pt) 21, 36
143299	Nut (1/4-20 Hex) 14	151437	Stud 3, 5, 6, 33	152466	Connector, Receptacle (20 Pt) 36
143300	Washer, Lock 14	151440	Stud 23	152467	Connector, Plug (20 Pt) 21
143301	Washer, Lock 14	151441	Plate, Blank (2-3/4" Wide) 33	152623	Mounting Assembly, Line Relay 16, 32
143302	Washer, Lock 14	151564	Bracket 20	152624	Capacitor Assembly 22
143303	Washer, Lock 14	151565	Bushing, Shoulder 20	152625	Key Assembly, Line-Test 19
143304	Washer, Lock 14	151567	Armature W/Clapper 20	152744	Key Assembly, Line-Test 18
143306	Fuse (1 Amp. SL-BL) 14	151579	Plate, Retaining 20	152745	Bracket, Test Key 18, 19
143307	Fuse (.6 Amp) 14	151618	Screw (6-40 x 7/16 Fil) 3, 4, 5, 9, 35	152746	Cable W/Terminals 18
143308	Screw (10-24 x 5/8 Flat) 14	151626	Terminal 4, 5, 6, 8 To 13, 15 To 19, 21 To 29, 31, 33, 35, 36, 37	152753	Jumper (2-1/2" Red) 33
143309	Capacitor (2.75 MFD) 14	151629	Nut (6-40 Lug) 5, 10	152754	Jumper (4-1/2" Red) 33
143310	Capacitor (1250 MFD) 14	151630	Screw (6-40 x 1/4 Hex) 10, 23, 24	152755	Strap, Terminal 3, 5
143311	Jack, Black 14	151631	Screw (6-40 x 5/16 Hex) 8, 9, 25, 26, 27	152757	Plate Assembly, Blank 33
143312	Jack, Red 14	151632	Screw (6-40 x 3/8 Hex) 23	152760	Stud 3 To 6
143313	Resistor (6,000 Ohm) 14	151637	Screw (4-40 x 1/4 Fil) 6, 19, 29, 37	152761	Stud 3, 4, 5, 7
143314	Bracket, Mounting 14	151657	Screw (6-40 x 1/4 Fil) 3, 5, 6, 15, 16, 20, 22, 25, 27, 29, 30, 35	152763	Jumper (2" Yellow) 18
143315	Terminal, Insulating 14	151658	Screw (6-40 x 5/16 Fil) 4, 5, 6, 35	152849	Armature 23
143316	Stud, Fastener 14	151659	Screw (6-40 x 1/2 Fil) 17	152893	Screw (4-40 x 1/4 Hex) 37
143317	Bracket 14	151660	Screw (6-40 x 7/8 Fil) 29	152921	Plate 4
143319	Chassis 14	151722	Screw (6-40 x 3/16 Hex) 27	152922	Plate 4
143320	Cover 14	151801	Bushing, Clamp 4	152922	Rectifier Assembly 12
143321	Diode 14	151808	Relay 3	152950	Plate, Cover 20
143322	Cord Assembly 14	151813	Cover 3	152994	Switch, Toggle (TP-DT) 4
143323	Cord Assembly 14	151814	Bracket, Relay Mounting 3	152995	Bracket, Bell 20
143324	Cord Assembly 14	151818	Jumper (4-1/4" Black) 15, 29, 33	152996	Suppressor, Electrical Noise 20
143325	Regulator 14	151819	Jumper (3" Black) 16, 17, 19, 23, 25, 29, 33, 35, 37	152998	Bracket, Switch 4
143326	Bracket, Fuse and Jack 14	151822	Mounting Assembly, Line Relay 15	153040	Control Assembly, Motor 23
143327	Cable W/Terminals 14	151825	Cable W/Terminals 11, 12	153108	Insulator (.031") 11
144979	Relay (700 Ohm) 6	151826	Cable W/Terminals 15	153157	Resistor (400 Ohm) 23
145003	Relay (700 Ohm) 6	151827	Strap, Terminal 4, 6	153251	Control Assembly, Motor 23
145007	Diode 6	151880	Nut (4-40 Hex) 6, 29	153388	Stud 5
145013	Cable Assembly 6	151913	Plate, Mounting 11	153451	Block, Terminal 19
145014	Cable Assembly 6	151916	Transformer 11	153454	Bracket 19
145026	Plate, Right Mounting 6	151995	Modification Kit 33	153455	Resistor (600 Ohm) 26
145104	Plate, Mounting 6	151996	Cable W/Terminals 33	153456	Bracket 4, 5, 7
145210	Cable 6	151999	Rectifier Assembly 12	153457	Strap, Terminal 4
145246	Relay (4,000 Ohm) 6	152021	Capacitor Assembly 22	153458	Cable W/Terminals 33
150040	Screw (6-40 x 5/8 Fil) 3 To 8, 11, 12, 13, 15 To 20, 22 To 29, 31, 33			153459	Block, Terminal 5
150323	Washer, Flat 37			153460	Plate, Left Mounting 4
150710	Screw (6-40 x 1-1/4 Fil) 24			153461	Plate, Right Mounting 4
150979	Capacitor (1/2 MFD) 24			153462	Plate 4, 6, 29, 35
150995	Bushing 24, 26, 27			153464	Block, Terminal 16
151346	Screw (6-40 x 3/8 Fil) 3 To 7, 20, 21, 30			153466	Cover 5
151400	Control Assembly, Motor 23			153468	Insulator, Left (1-20) 5
151401	Base 23			153475	Cable W/Terminals 16
151402	Core 23			153476	Cable W/Terminals 19

NUMERICAL INDEX (Continued)

Part Number	Description and Page Number	Part Number	Description and Page Number	Part Number	Description and Page Number
153477	Cable W/Terminals 11, 12, 13	157224	Resistor (250 Ohm) 17	161525	Connector, Plug (14 Pt) 21
153478	Cable W/Terminals 23	157225	Resistor (2,000 Ohm) 17	161526	Connector, Receptacle (14 Pt) 6, 21, 36
153479	Cable W/Terminals 22	157226	Block, Terminal 17	162357	Capacitor (500 MFD) 13, 30
153480	Resistor (6750 Ohm) 16	157227	Capacitor (.5 MFD) 17	162358	Diode 5, 12, 13, 30, 37
153481	Resistor (5800 Ohm) 16, 19	157228	Cable 17	162359	Transformer, Power 13, 30
153482	Plate, Relay 16	157229	Cable W/Terminals 17	162360	Fuse (.8 Amp) 13, 30
153483	Jumper (9" Black) 22	157230	Jumper (6" Black) 33	162361	Rectifier Assembly 13
153484	Screw (6-32 Spl) 5, 24, 26, 27	157231	Jumper (8" Black) 33, 35	162864	Clamp, Cable (7/8" ID) 27
153492	Connector, Plug (3 Pt) 6	157232	Jumper (9-1/4" Black) 33, 35	163696	Panel Assembly 21
153493	Connector, Receptacle (3 Pt) 36	157233	Screw (6-40 x 2-3/8 Flat) 17	163697	Panel Assembly 21
153537	Screw (6-40 x 9/32 Hex) 28	157234	Potentiometer (1500 Ohm) 17	163800	Connector, Receptacle (2 Pt) 21
153631	Network, Spark Suppression 30	157235	Resistor (390 Ohm) 17	163803	Connector, Plug (2 Pt) 21
153819	Washer, Lock 30	157276	Capacitor (.47 MFD) 29	163804	Plate, Relay Mounting 21
153841	Screw (6-40 x 9/16 Hex) 10	157283	Rectifier 29	163807	Cable Assembly 21
154335	Screw (6-40 x 9/32 Fil) 16, 19	157285	Resistor (5,000 Ohm) 29	163808	Cable Assembly 21
154337	Cover 23	157307	Spacer 25	163809	Cable Assembly 21
154395	Plunger, Solenoid 25	157308	Bracket 25	163810	Cable Assembly 21
154630	Plate 34	157309	Plate, Nut 25	163966	Plate 13
154632	Block, Terminal 25	157310	Switch, Sensitive 25	164271	Service Assembly 30
154636	Plate 25	157312	Resistor (6,000 Ohm) 29	164503	Rectifier Assembly 14
154661	Diode 34	157313	Resistor (1,800 Ohm) 29	165021	Relay 21
154664	Resistor (2000 Ohm) 5, 29, 35	157314	Socket, Tube 29	165060	Socket, Tube 6
154665	Cable W/Terminals 25	157315	Socket, Tube 29	165116	Terminal 27
154696	Washer, Reducing (3/4-1/2) 4	157317	Shield, Tube 29	165294	Guide, Wire 21
154732	Modification Kit 29	157316	Cable 29	165378	Resistor (3,611 Ohm) 21
154747	Modification Kit 35	157319	Tube, Electron 29	165379	Coil, Repeating 21
154779	Modification Kit 29	157395	Plate, Base 29	165522	Diode 27
154870	Cable W/Terminals 29, 35	157396	Board W/Terminals 29	165650	Relay Assembly 27
155022	Switch, Toggle (DP-DT) 3	157397	Bracket 29	165651	Bracket, Mounting 27
155023	Switch, Toggle (DP-DT) 3, 5, 6	157997	Cable W/Terminals 29	165652	Cable W/Terminals 27
155064	Jumper (6" Black) 33	157998	Jumper (12" Black) 29, 33	165673	Relay Assembly, Motor Control 26
155084	Tube, Electron 29	158250	Block, Terminal 6	165675	Cable W/Terminals 24
155558	Relay Assembly 31	158252	Insulator (1-6) 6	165682	Bracket 24
155559	Plate 31	158272	Plate, Right Mounting 3	165683	Cable W/Terminals 26
155560	Relay 31	158278	Container, Electrical 3, 7	165685	Plate, Mounting 24
155561	Cable W/Terminals 31	158279	Plate, Blank (1-5/16" Wide) 5, 13	165687	Relay Assembly, Motor Control 24
155564	Cover, Relay 31	158280	Plate, Left Mounting 4	171541	Diode 10, 28
155591	Capacitor (220 MFD) 5, 11, 12	159320	Cover, Relay 28	171555	Connector, Receptacle (50 Pt) 6
155718	Jumper (3" Black) 29, 35	159321	Bracket, Relay 28	172667	Modification Kit 29
155750	Sleeve, Insulating (3/32 ID x 1/2" Lg) 29, 36, 37	159322	Plate, Relay 28	172672	Plate, Left Mounting 5
155751	Sleeve, Insulating (1/8 ID x 1" Lg) 36	159397	Modification Kit 32	172674	Plate, Right Mounting 5
155752	Sleeve, Insulating (5/64 ID x 1/2" Lg) 6, 21, 30, 36	160223	Cable W/Terminals 31	172942	Cable Assembly 30
155753	Sleeve, Insulating (1/8 ID x 1/2" Lg) 27, 29, 36	160226	Mounting Assembly, Line Relay 16, 32	172943	Cable Assembly 30
155754	Sleeve, Insulating (1/16 ID x 1/2" Lg) 21, 36	160227	Cable W/Terminals 16	173144	Relay 30
155755	Sleeve, Insulating (11/64 ID x 5/8" Lg) 36	160229	Plate, Mounting 12, 13	173145	Cable Assembly 30
155785	Cable W/Terminals 32	160284	Resistor (5,500 Ohm) 16, 32	173146	Plate, Relay 30
155858	Resistor (700 Ohm) 4	160325	Relay, Quick Acting 37	173147	Plate, Switch Mounting 30
155859	Screw (4-40 Spl) 36	160326	Relay, Quick Acting 37	173331	Bracket 30
155860	Screw (4-40 x 3/8 Rd) 36	160332	Flasher, Thermal 37	173332	Insulator, Pod 30
155861	Washer, Lock 36	160357	Clip, Spring 37	173363	Modification Kit 30
156501	Screw (6-40 x 7/32 Fil) 30	160358	Cover 37	173724	Modification Kit To Install Cable Assembly in Container 4
156976	Connector, Plug (32 Pt) 37	160359	Plate, Relay Mounting 37	173796	Transformer 5
157216	Mounting Assembly, Line Relay 17	160362	Plug, Banana 37	173975	Cable W/Terminals 5
157217	Plate, Mounting 17	160365	Jumper (28" Braided) 37	173976	Cable W/Terminals 5
157218	Bracket 17	160389	Screw (12-24 x 1-1/4 Rd) 37	174012	Container, Electrical 5
157219	Spacer 17	160411	Bracket, Cover Guide 37	174013	Suppressor, Electrical Noise 5
157220	Block, Terminal 17	160433	Jumper (14" Black) 33	176473	Cable W/Terminals 29
157221	Block, Terminal 17	160678	Jumper (24" Black) 33	176495	Transformer, Power 5, 12
157222	Potentiometer (2000 Ohm) 17	160831	Terminal 37	176673	Suppressor, Spark 4
157223	Jack, Line Relay 17, 30	160833	Plate, Identification 16	176692	Relay 28
		160847	Stud 25	176693	Cable W/Terminals 28
		161136	Fuse (6-1/4 Amp SL-BL) 6	176694	Relay Assembly, Motor Control 28
		161238	Connector, Receptacle (36 Pt) 30		
		161239	Connector, Plug (36 Pt) 30		

NUMERICAL INDEX (Continued)

Part Number	Description and Page Number	Part Number	Description and Page Number	Part Number	Description and Page Number
176696	Relay 28	178535	Suppressor, Spark 24, 26, 27	179782	Screw (6-40 x 7/8 Hex) 24, 26, 27
176697	Cable W/Terminals 28	178831	Connector, Receptacle (2 Pt) 3, 5	179954	Relay 37
176698	Relay Assembly 28	178832	Plate, Adapter 3, 5	179956	Cable Assembly 37
176788	Capacitor (60 MFD) 28	178833	Connector, Adapter Plug (3 Pt) 3, 4	182523	Clamp, Mounting (1-3/8" ID) 5
176810	Relay Assembly 28	178840	Capacitor (400 MFD) 10	192669	Driver Assembly, Selector Magnet 10
176811	Plate, Mounting 28	178841	Transformer 10	192670	Cable W/Terminals 10
176812	Cable W/Terminals 28	178843	Plate, Mounting 10	192671	Cable Assembly 9
177075	Cable W/Terminals 8	178853	Cover, Relay 35	192672	Cover 9
177076	Relay Assembly 8	178854	Bracket, Relay 35	192673	Bracket 9
177077	Plate, Relay 8	178855	Plate, Left 4	192674	Relay Assembly 9
177078	Cover 8	178856	Relay 35	194090	Rectifier 5
177079	Relay 8	178859	Card, Circuit 10	194091	Plate, Mounting 5
178306	Relay, Power 24, 26, 27	178868	Resistor (700 Ohm) 10	194099	Bracket, Switch 5
178307	Relay Assembly 26	178888	Clip 10	194367	Plate, Relay Mounting 7
178308	Cable W/Terminals 26	179434	Cable W/Terminals 31	194369	Driver Assembly, Selector Magnet 10
178326	Capacitor (20 MFD) 27	179472	Modification Kit 37	194370	Cable W/Terminals 10
178330	Plate 27	179562	Card, Circuit 10	195177	Washer, Insulating 10
178363	Post 10	179564	Relay (350 Ohm) 7, 9		
178394	Plate 26				



28 CONSOLE and TABLE MODEL CABINETS (LAC) and 28 TABLE (LT)

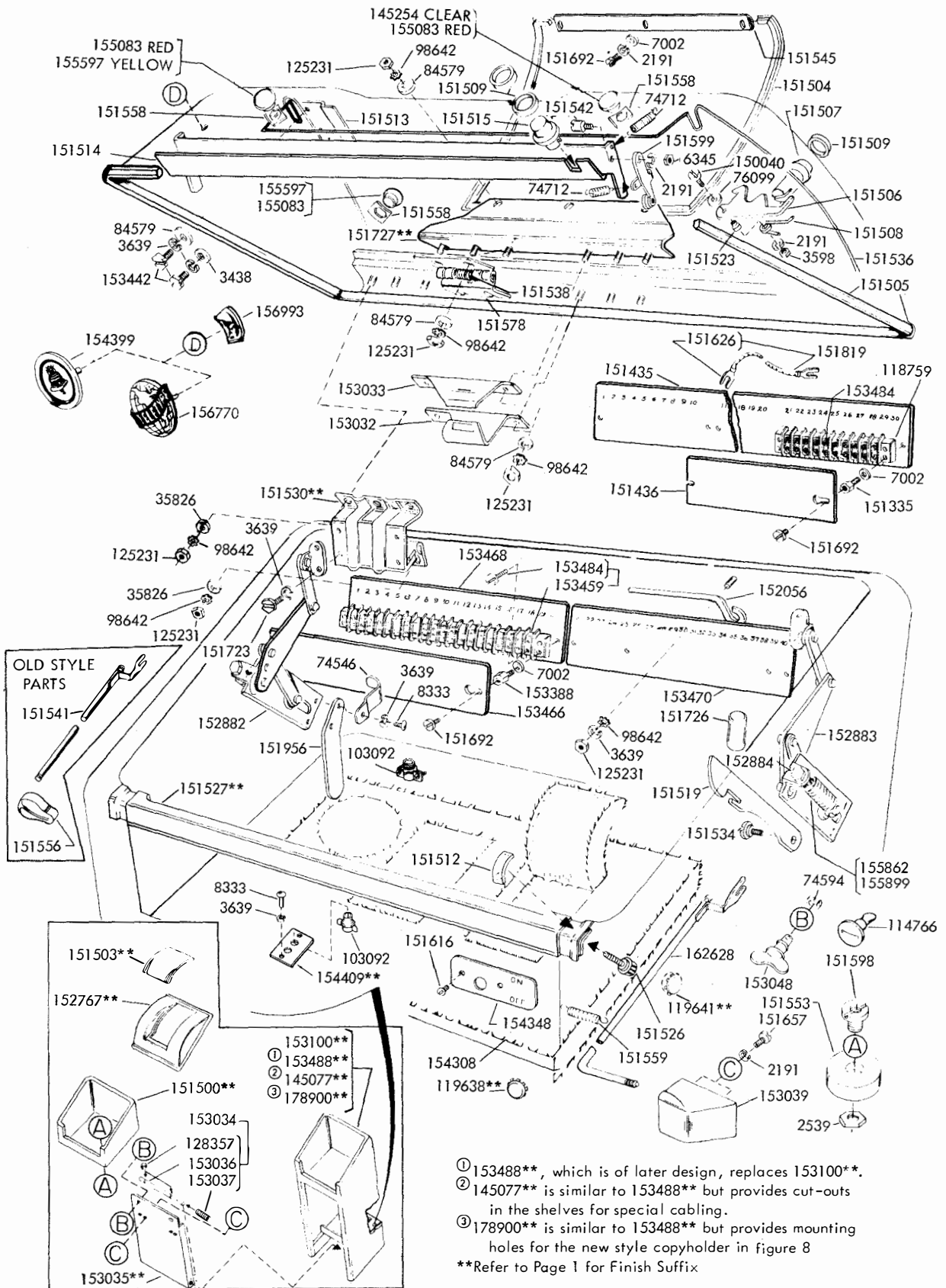
PARTS

PAINT FINISH COLOR CODE CHART (for parts and assemblies requiring a paint finish)									
Color	Finish Suffixes				Color	Finish Suffixes			
	Wrinkle Finish	Smooth Finish	Textured Vinyl	Smooth Vinyl		Wrinkle Finish	Smooth Finish	Textured Vinyl	Smooth Vinyl
Black	AA (37)	BB			Brussels Light Blue		EC		
Dark Brown	AD (38)				Medium Blue		ES		
Gray Green	AB (40)	BK	GA (45)		Cherry Red		EF		
Charcoal Gray	AL	BZ		HA	Pastel Yellow		EG		
Dark Gray			GB		White		EH		
Light Gray		EJ		HB (68)	Ivory		EM		
Beige Gray			GC		Beige		ET		
Light Beige		EL		HC	Rose Beige		ER		
Moss Green		EN		HD	Rose Pink		EU		
Eye Rest Green		EA			Dark Covert Gray				HE
Turquoise		EV			Light Olive Gray	EW		GE	HF (46)
Aqua Blue		EK			Fawn				HG

The double asterisk (**) denotes a painted part. Suffix to be applied following the part number. Number in parenthesis indicate Bell System code.

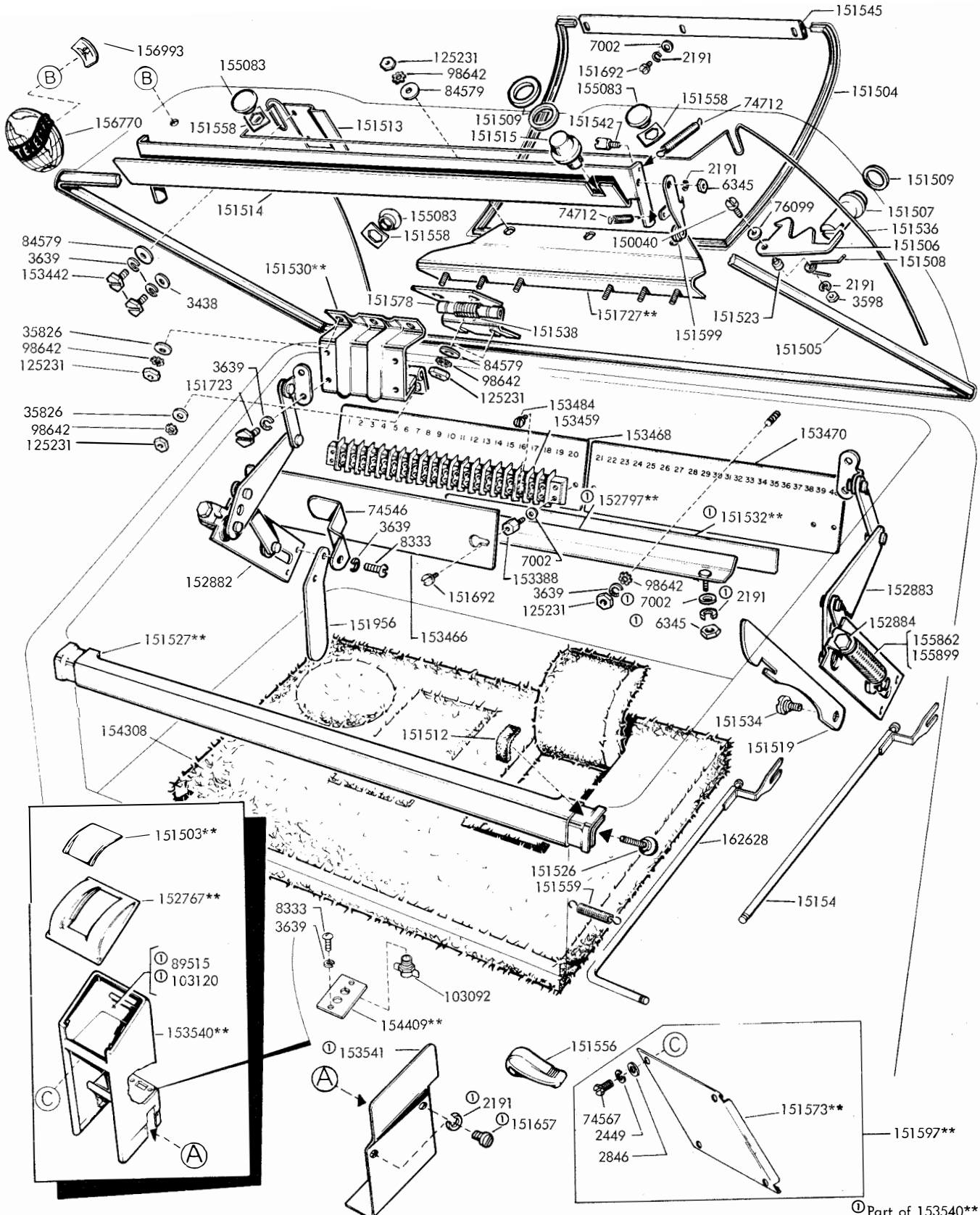
FIGURE	CONTENTS	PAGE
1	Cabinet Components	3
2	Cabinet Components	4
3	Cabinet Variable Features	5
4	Cabinet Variable Features	6
5	173400** Modification Kit to Provide Offset Copyholder (Table Model)	7
6	153920 and 154741 Modification Kits to Adapt Cabinet for Selective Calling	8
7	Cable Components	9
8	164024** Modification Kit to Provide Offset Copyholder	9
9	178897** Modification Kit to Provide Offset Copyholder	10
10	159357 (5.5 Volt, AC) and 165668 (48 Volt, DC) Modification Kits to Provide a Copyleft System	11
11	Incandescent Copyleft System (6 Volt, AC)	12
12	154777 Modification Kit to Provide 60 Volt, DC Incandescent Copyleft System	13
13	159375 Modification Kit to Convert an AC Copyleft System to a 60 Volt, DC Copyleft System	14
14	152902 Modification Kit to Equip Cabinet with Busy Line Light	15
15	160224 Modification Kit to Add Open and Busy Line Indicator Lights	16
16	152319 Modification Kit to Provide Terminal Connections on Cabinet	16
17	144600 Key and Lamp Assembly (W/Typing Unit Interchange)	17
18	145220 Key and Lamp Assembly (W/O Typing Unit Interchange)	17
19	173238 Modification Kit to Add Reader Light to Cabinet	18
20	174458 Modification Kit to Provide Cabinet with a Paper Tearing Plate	18
21	145278 and 154756 Modification Kits to Add Form-Out Alarm Mechanism	19
22	176714 Modification Kit to Provide Low-Paper and Paper-Out Alarm	20
23	154793 Modification Kit to Add Shock Mounts to Console Cabinet	21
24	154754** Modification Kit to Provide Sub-Base for Console Cabinet for Stand-Up Operation	21
25	159373 Modification Kit to Provide an Apparatus Mounting Rack	22
26	159390 Modification Kit to Provide an Apparatus Mounting Rack	22
27	152349** Modification Kit to Provide Paper Supply and Accumulating Shelf	23
28	153901** Modification Kit to Provide Paper Winder Mounting Bracket	24
29	163796** Modification Kit to Provide Telephone Shelf for Console Cabinet	24
30	173097** Modification Kit to Provide Shelf for Console Cabinet	25
31	152300** Modification Kit to Provide Directory Holder for Table Model Cabinet	26
32	152910** Modification Kit to Provide Directory Holder for Console Model Cabinet	26
33	153926 Modification Kit to Provide Sprocket Feed Rear Paper Guide	26
34	154651 Modification Kit to Add Signal Line Electrical Noise Suppressor (DC)	27
35	151988 Modification Kit to Add Power Line Electrical Noise Suppressor	27
36	178387 Modification Kit to Provide High Voltage Static Eliminator to Neutralize Electrostatic Charge on Page Copy	28
37	Printer Table	29
38	Printer Table with Sliding Shelf	30
	Numerical Index	31

**Refer to Page 1 for Finish Suffix



- ① 153488**, which is of later design, replaces 153100**.
 - ② 145077** is similar to 153488** but provides cut-outs in the shelves for special cabling.
 - ③ 178900** is similar to 153488** but provides mounting holes for the new style copyholder in figure 8
- **Refer to Page 1 for Finish Suffix

FIGURE 1. CABINET COMPONENTS



ⓐ Part of 153540**

**Refer to Page 1 for Finish Suffix

FIGURE 2. CABINET COMPONENTS

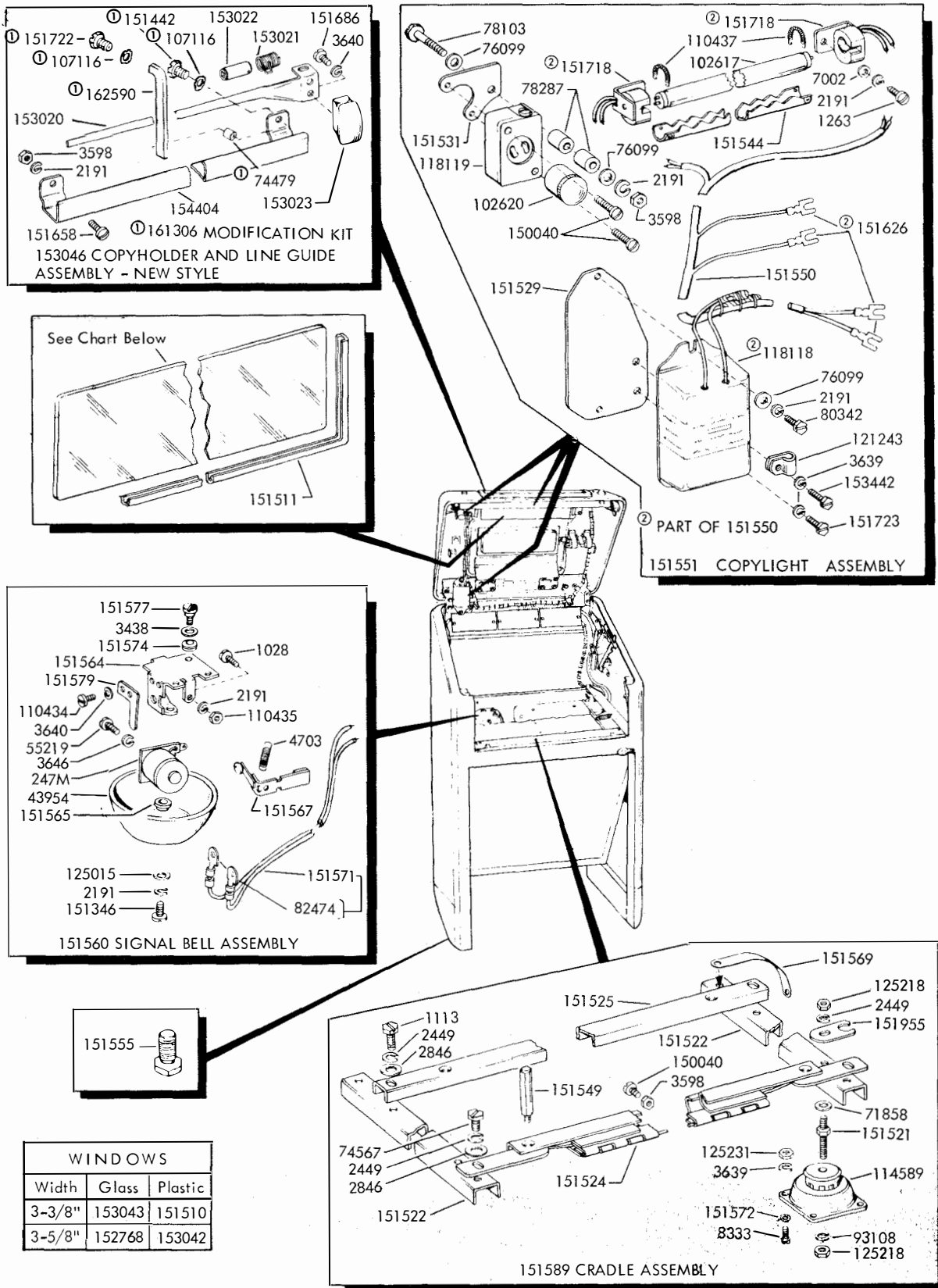


FIGURE 3. CABINET VARIABLE FEATURES

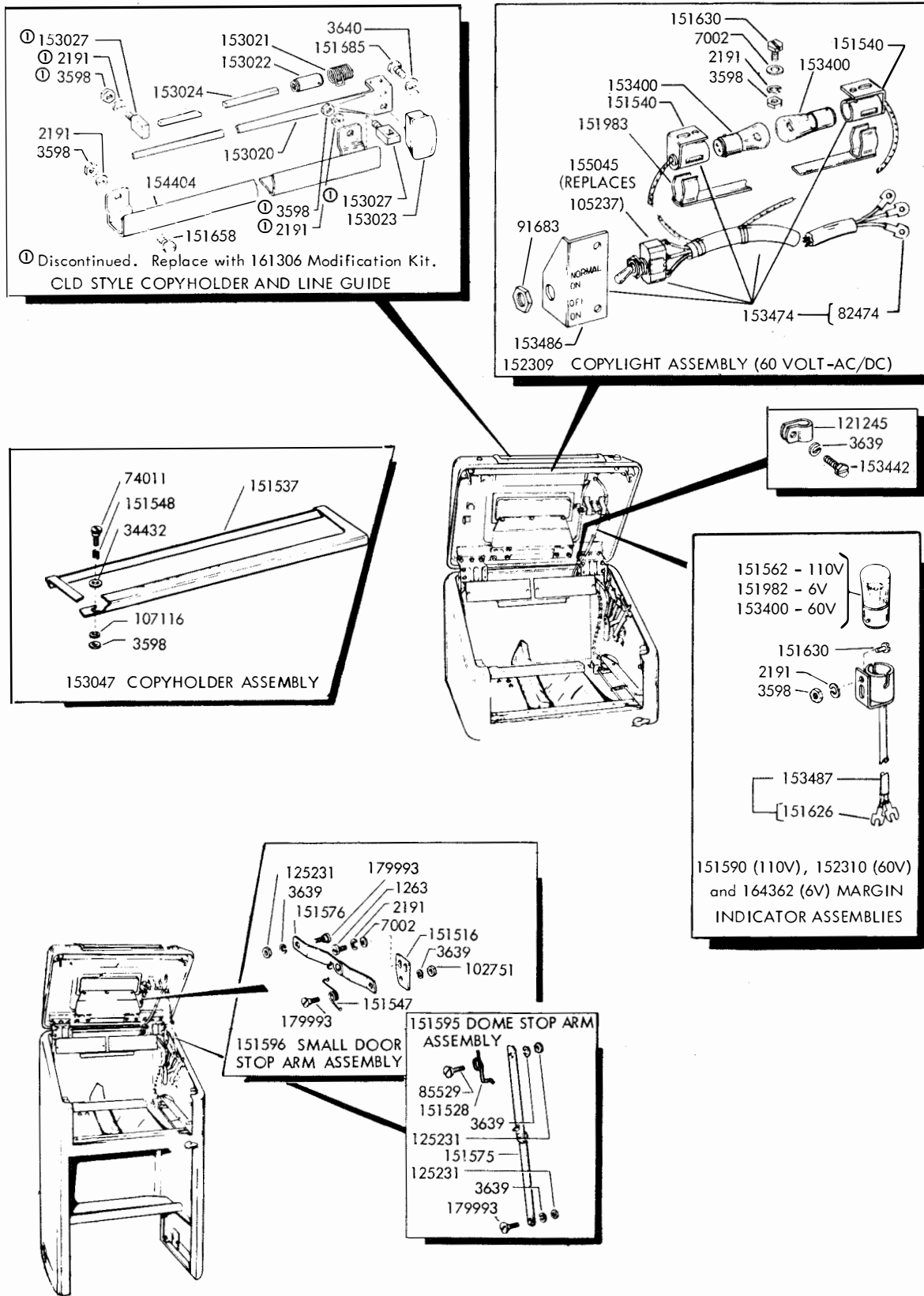
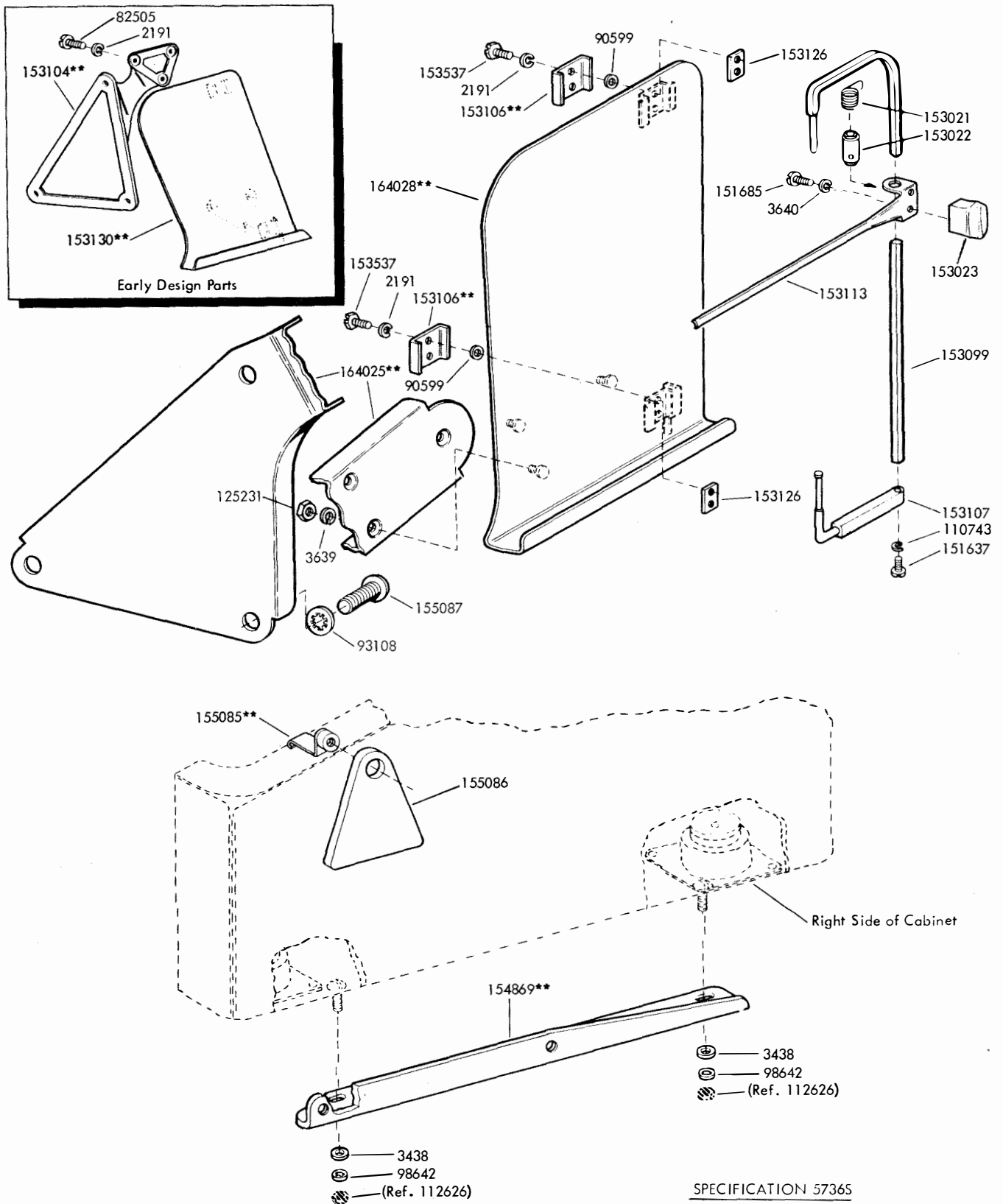


FIGURE 4. CABINET VARIABLE FEATURES



**Refer to Page 1 for Finish Suffix

FIGURE 5. 173400** MODIFICATION KIT TO PROVIDE OFFSET COPYHOLDER (TABLE MODEL)

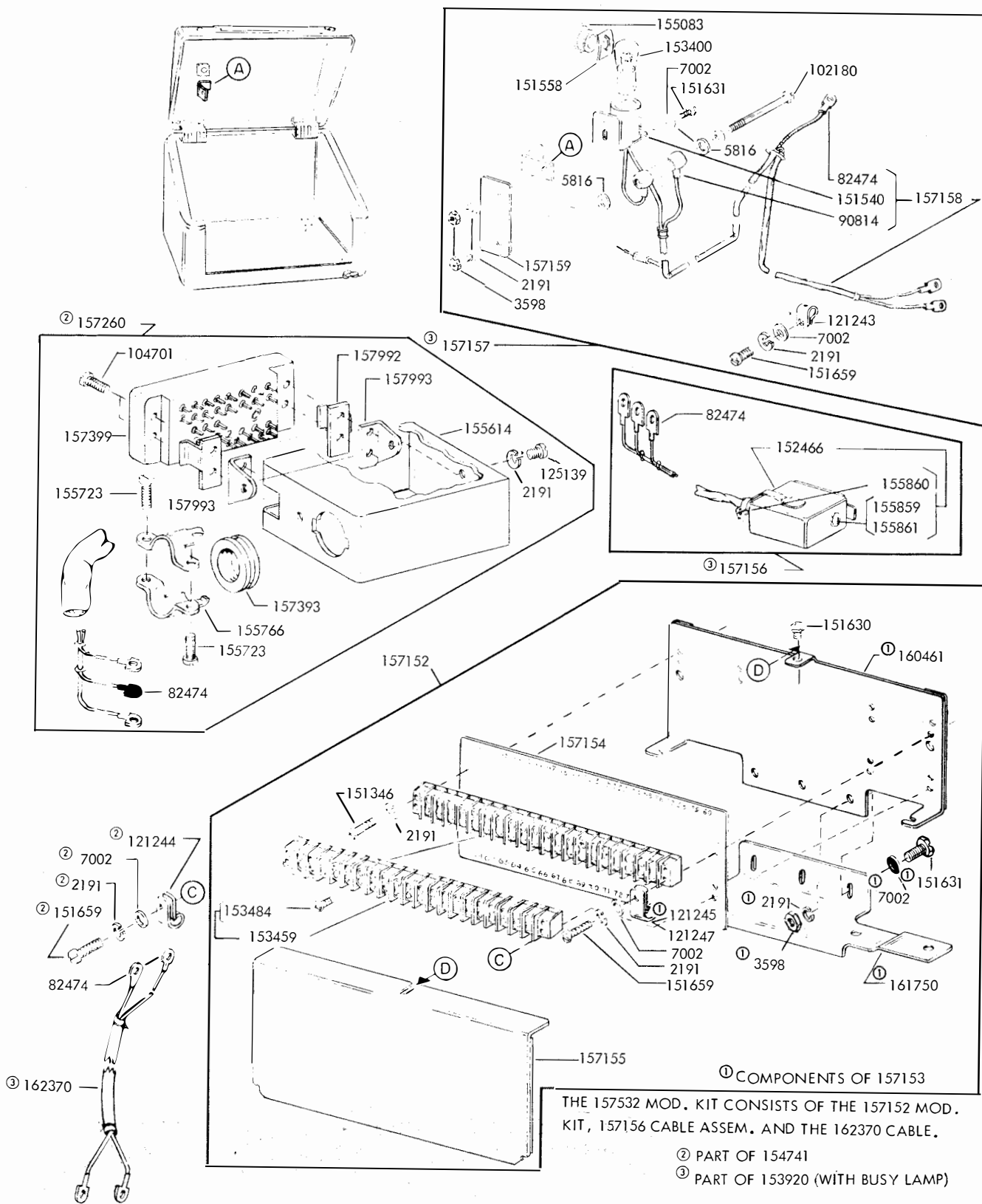


FIGURE 6. 153920 and 154741 MODIFICATION KITS TO ADAPT CABINET FOR SELECTIVE CALLING

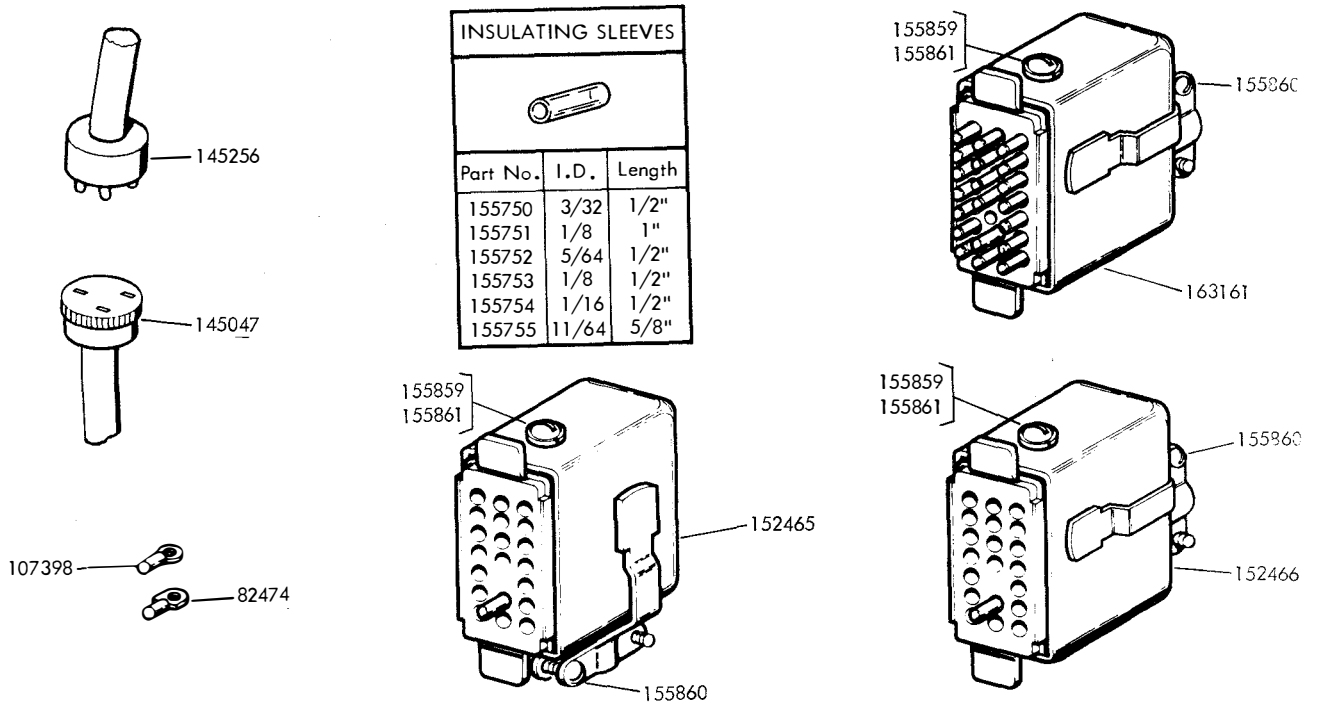


FIGURE 7. CABLE COMPONENTS

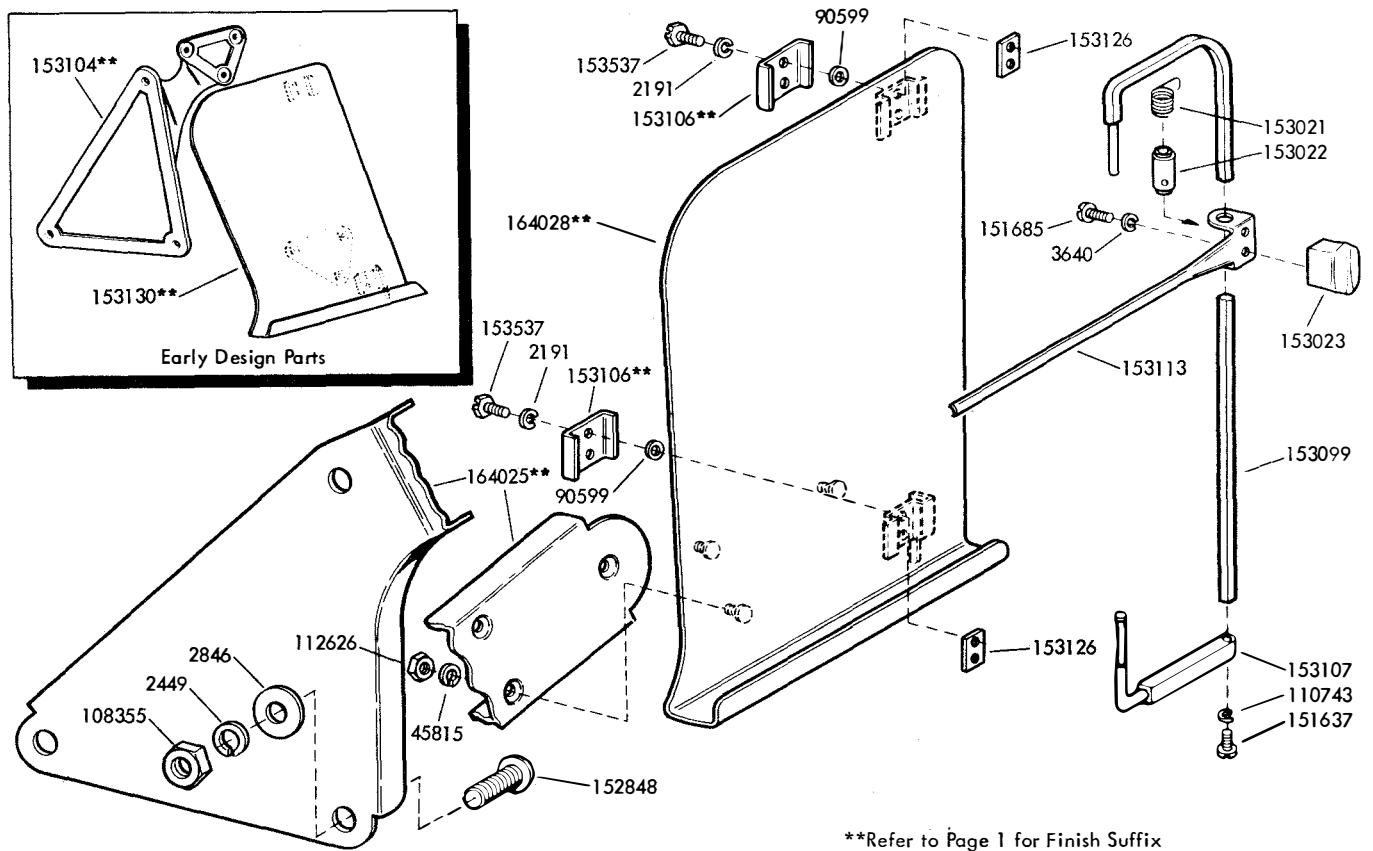
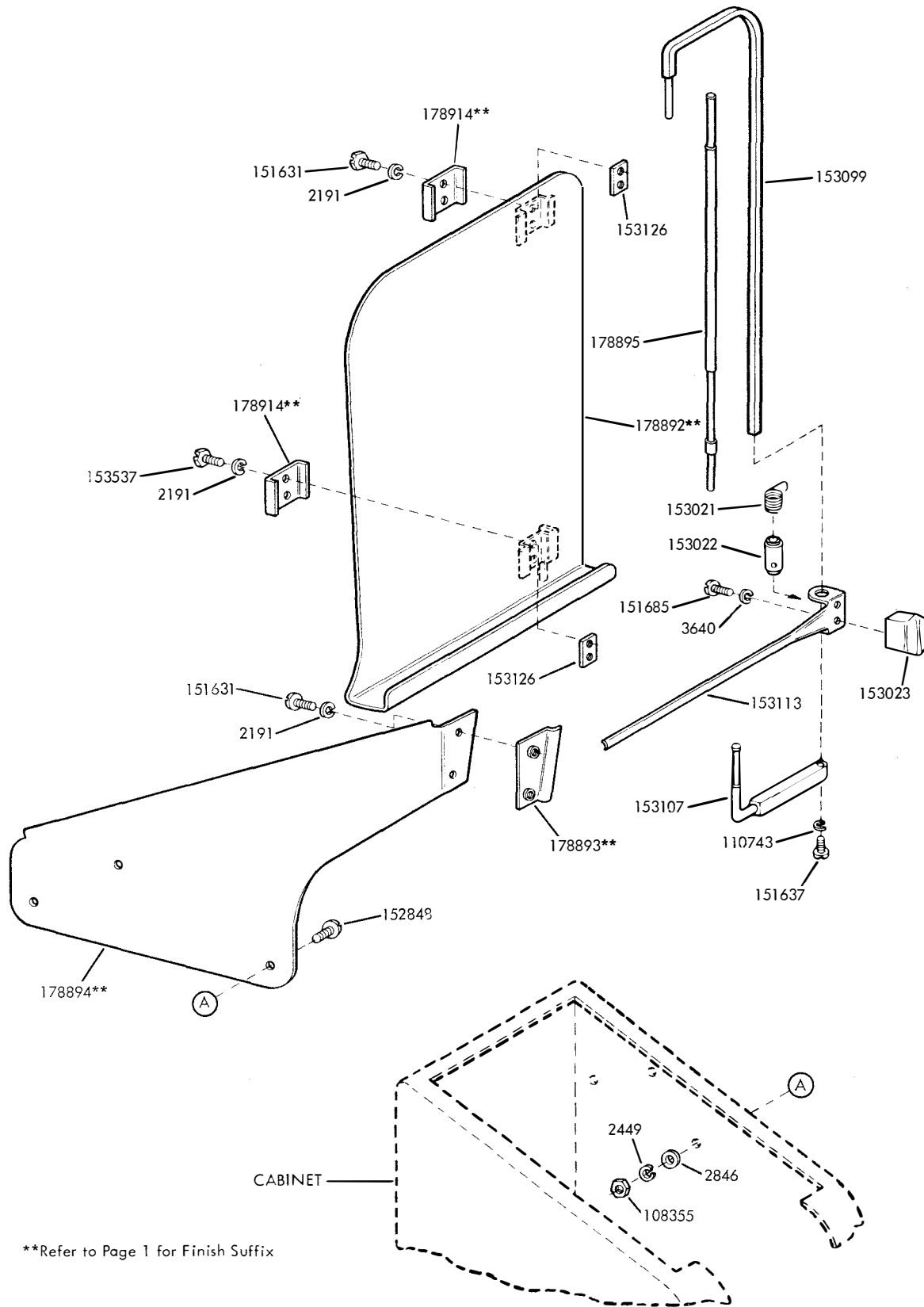


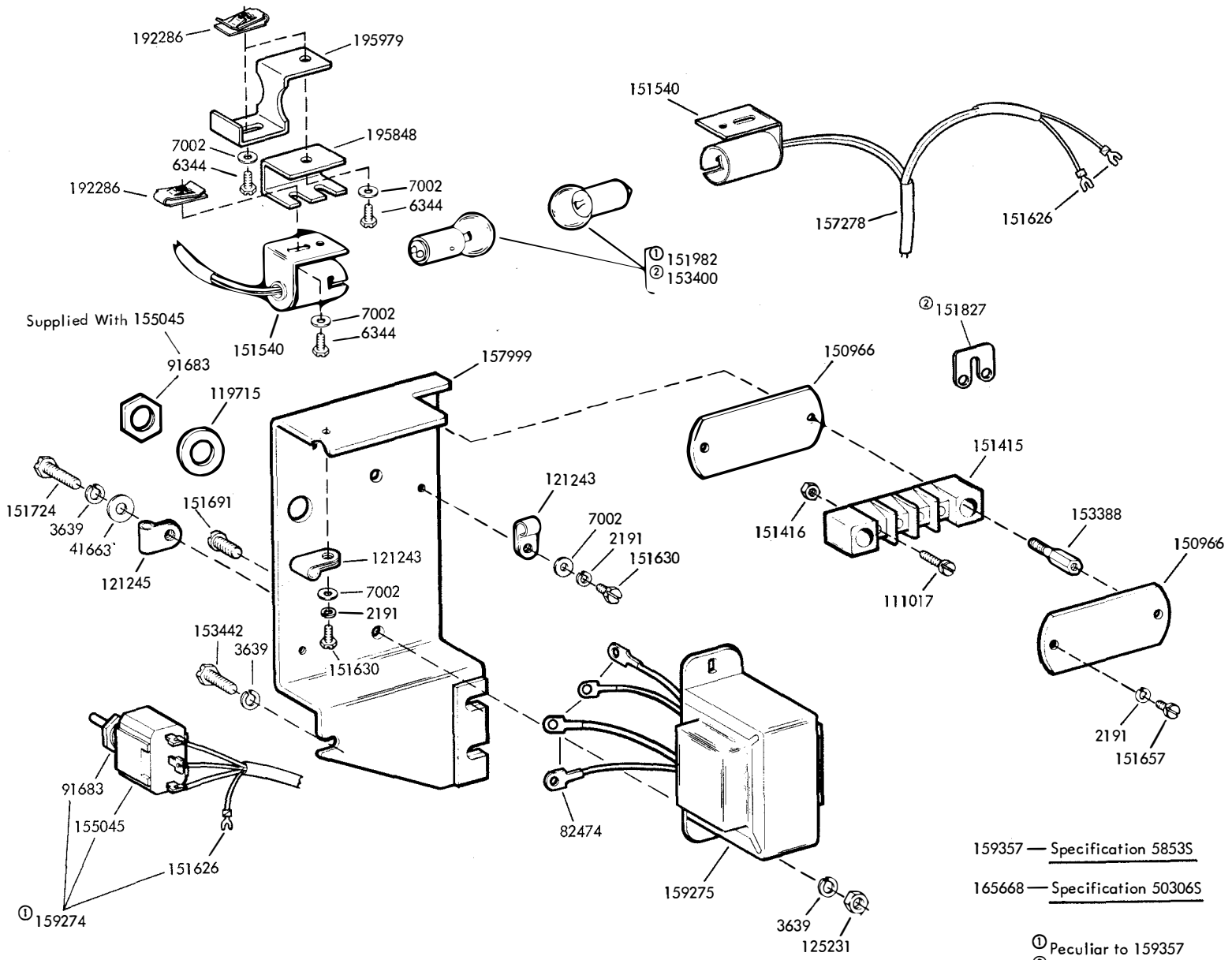
FIGURE 8. 164024** MODIFICATION KIT TO PROVIDE OFFSET COPYHOLDER



**Refer to Page 1 for Finish Suffix

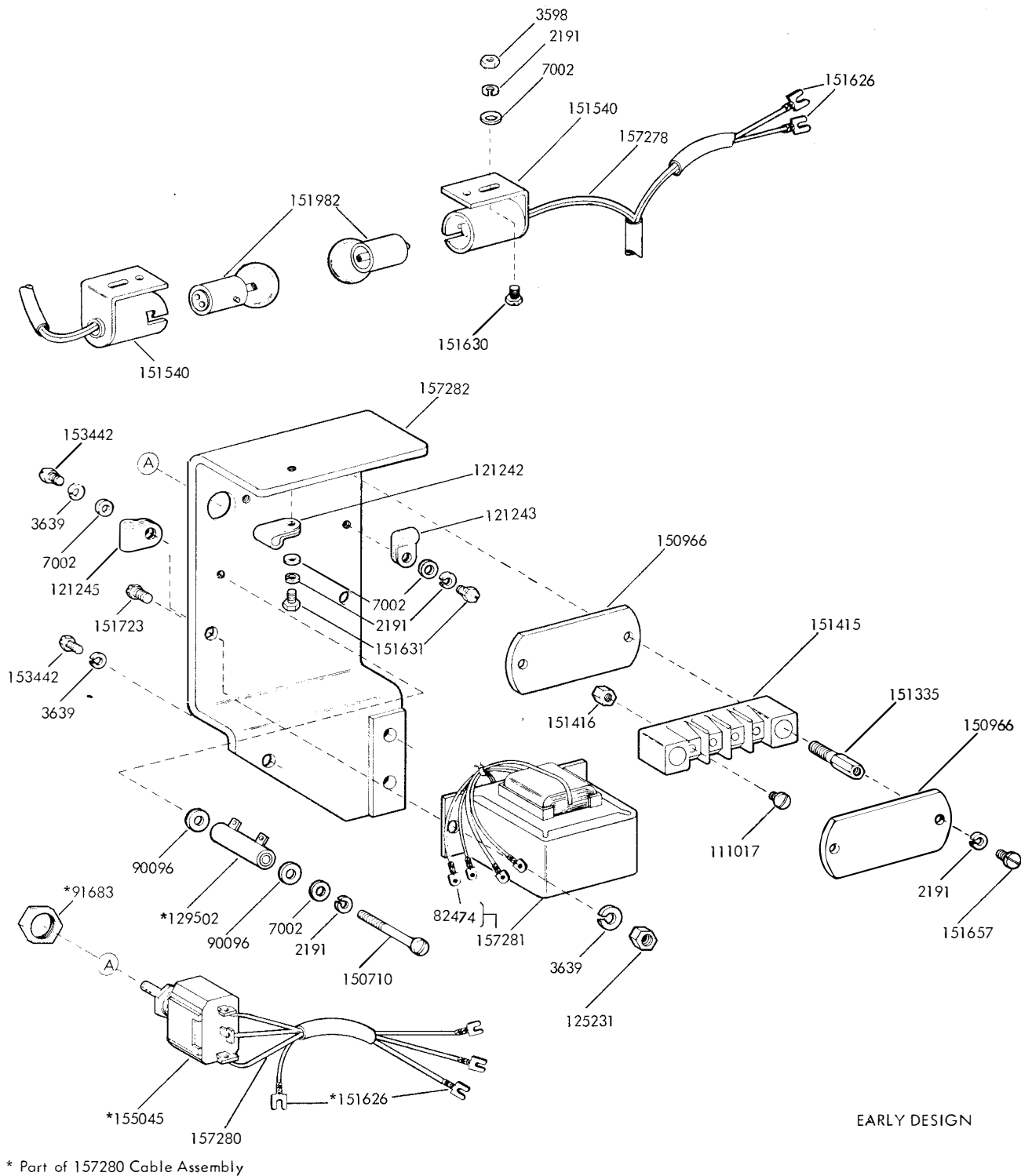
FIGURE 9. 178897** MODIFICATION KIT TO PROVIDE OFFSET COPYHOLDER

FIGURE 10. 159357 (5.5 VOLT, AC) and 165668 (48 VOLT, DC) MODIFICATION KITS TO PROVIDE A COPYLIGHT SYSTEM



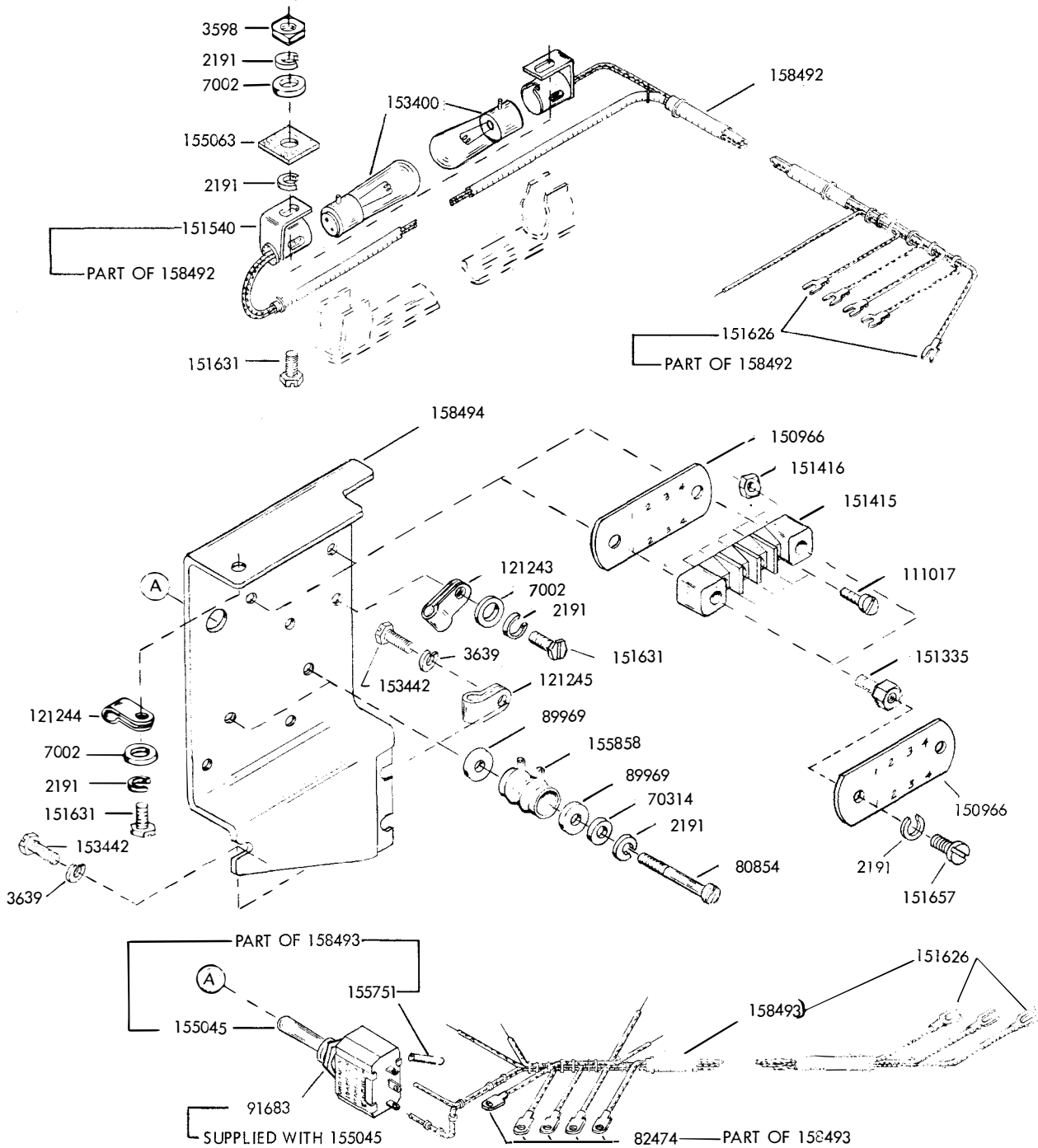
159357 — Specification 58535
 165668 — Specification 503065

① Peculiar to 159357
 ② Peculiar to 165668



EARLY DESIGN

FIGURE 11. INCANDESCENT COPYLIGHT SYSTEM (6 VOLT, AC)



SPECIFICATION 58535

FIGURE 12. 154777 MCDIFICATION KIT TO PROVIDE 60 VOLT, DC INCANDESCENT COPYLIGHT SYSTEM

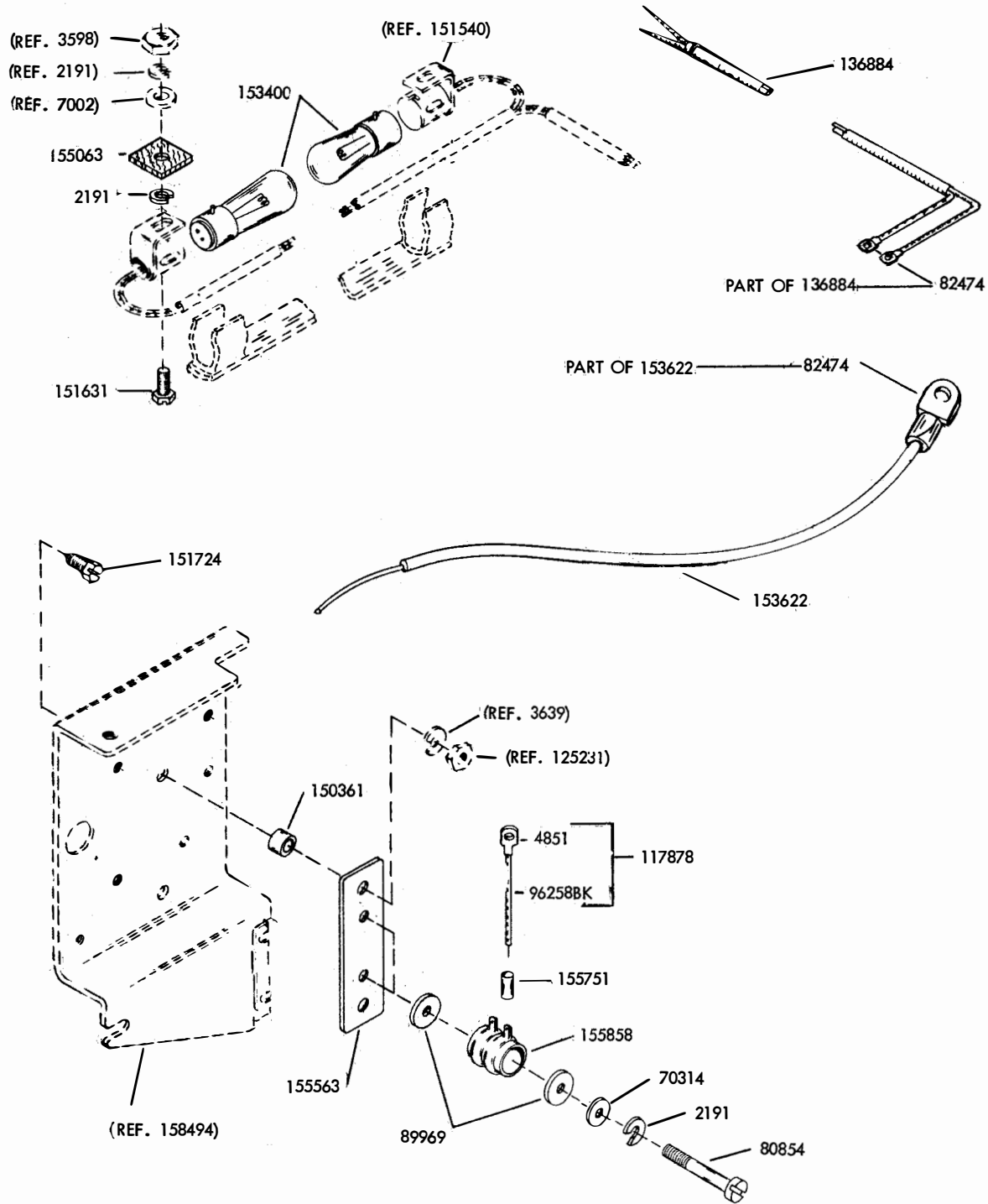
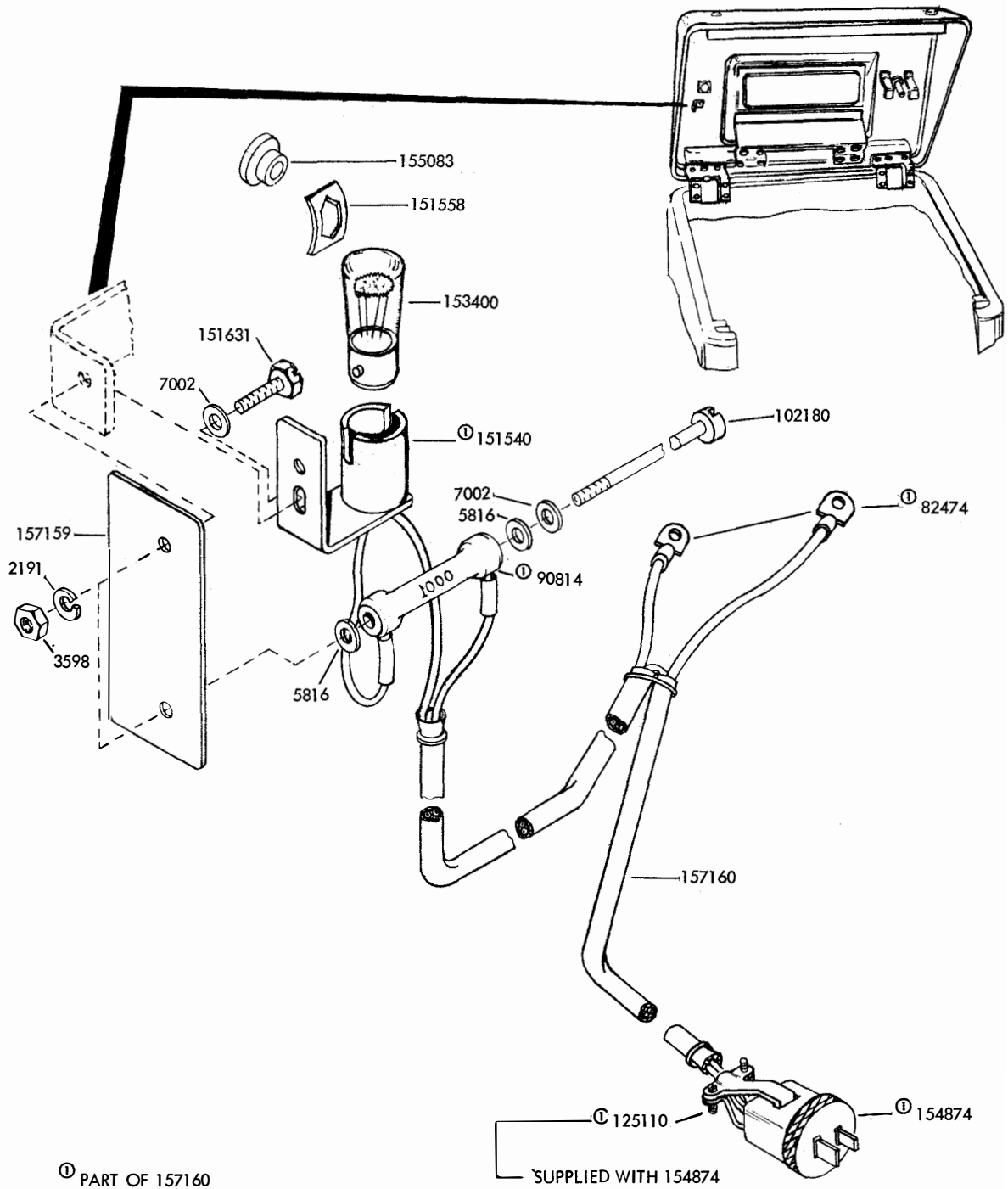
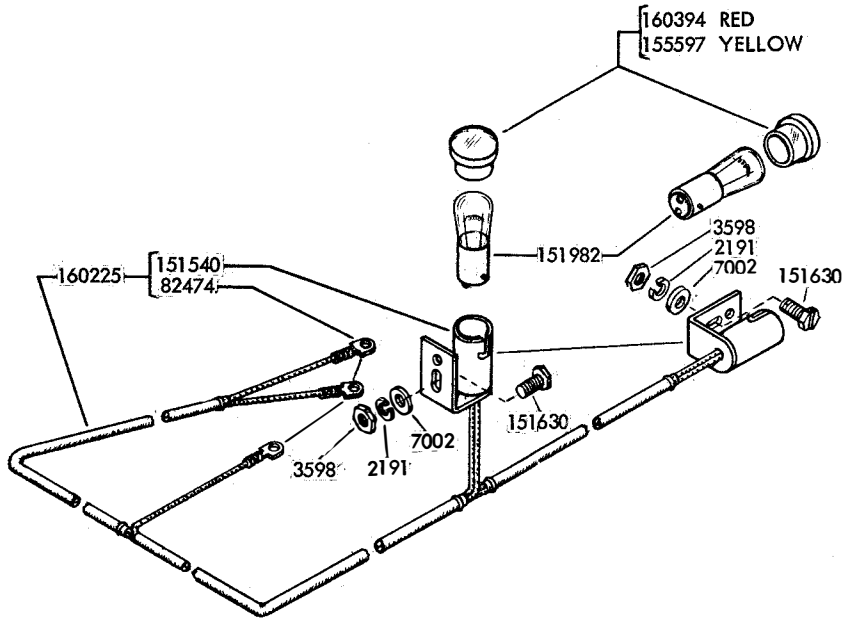


FIGURE 13. 159375 MODIFICATION KIT TO CONVERT AN AC COPYLIGHT SYSTEM TO A 60 VOLT, DC COPYLIGHT SYSTEM



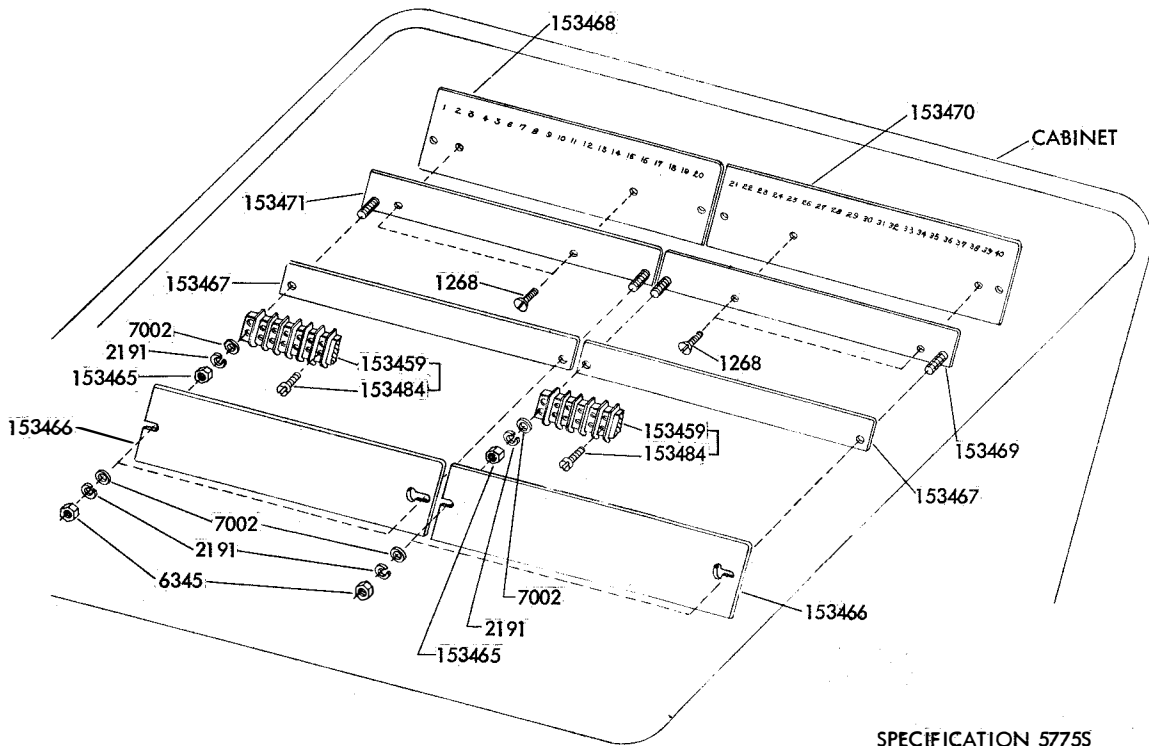
SPECIFICATION 5821S

FIGURE 14. 152902 MODIFICATION KIT TO EQUIP CABINET WITH BUSY LINE LIGHT



SPECIFICATION 58795

FIGURE 15. 160224 MODIFICATION KIT TO ADD OPEN AND BUSY LINE INDICATOR LIGHTS



SPECIFICATION 57755

FIGURE 16. 152319 MODIFICATION KIT TO PROVIDE TERMINAL CONNECTIONS ON CABINET

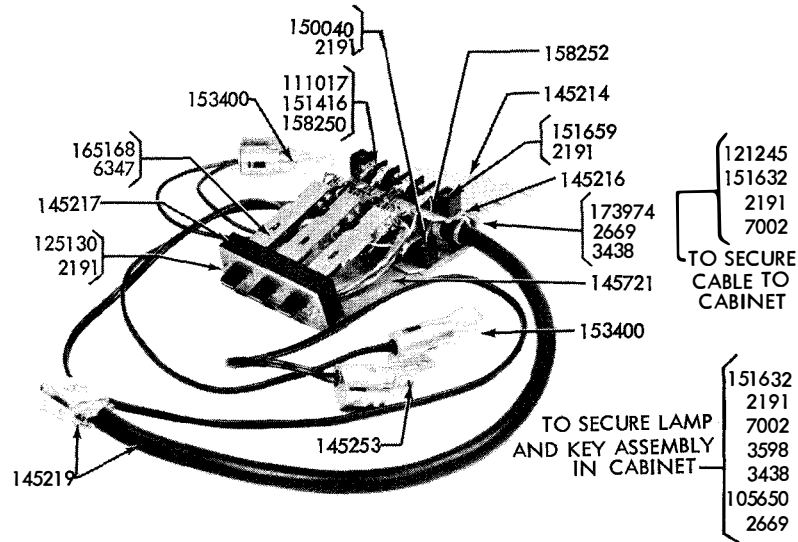


FIGURE 17. 144600 KEY AND LAMP ASSEMBLY (W/TYPING UNIT INTERCHANGE)

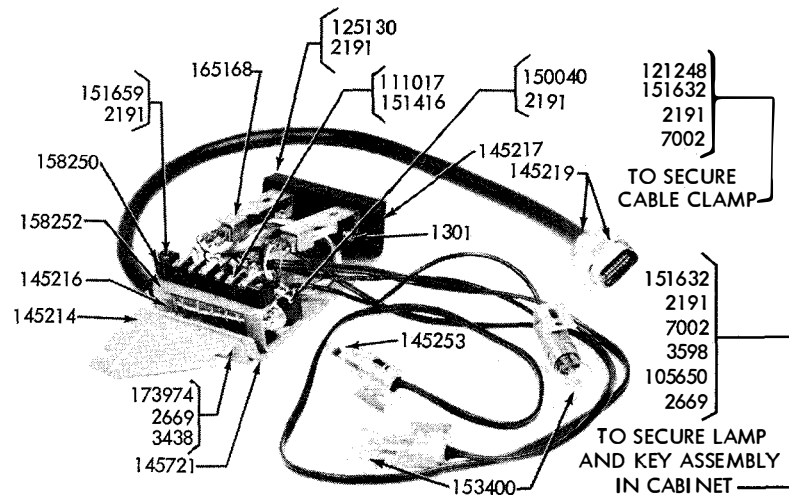


FIGURE 18. 145220 KEY AND LAMP ASSEMBLY (W/O TYPING UNIT INTERCHANGE)

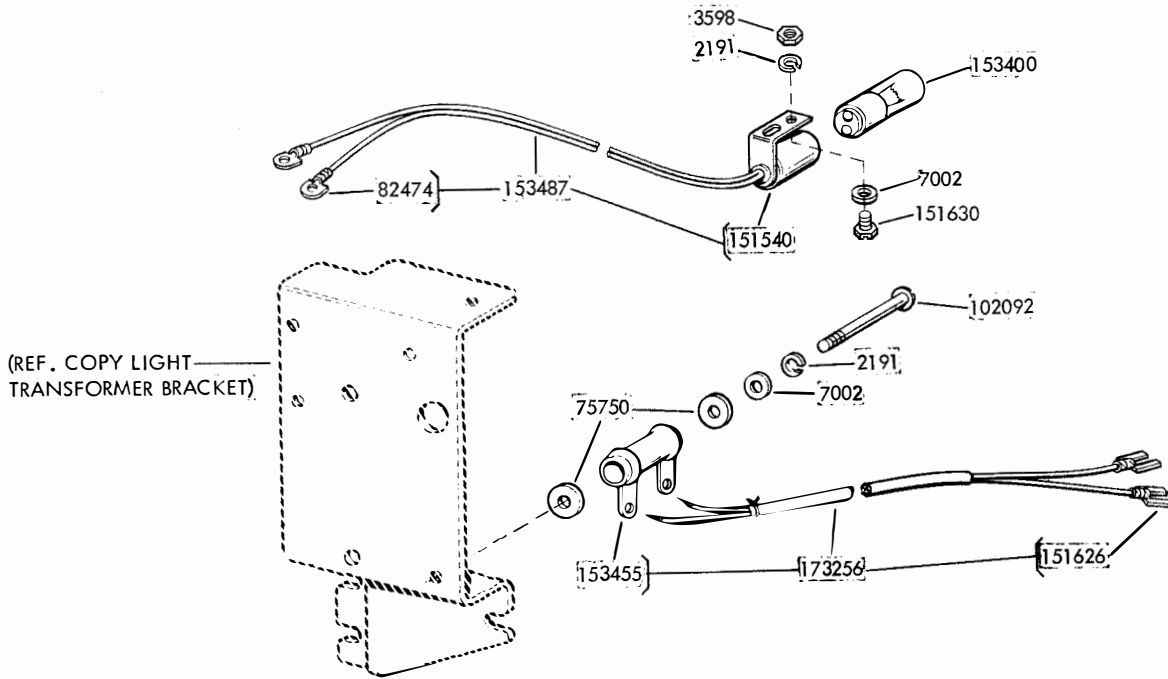


FIGURE 19. 173238 MODIFICATION KIT TO ADD READER LIGHT TO CABINET

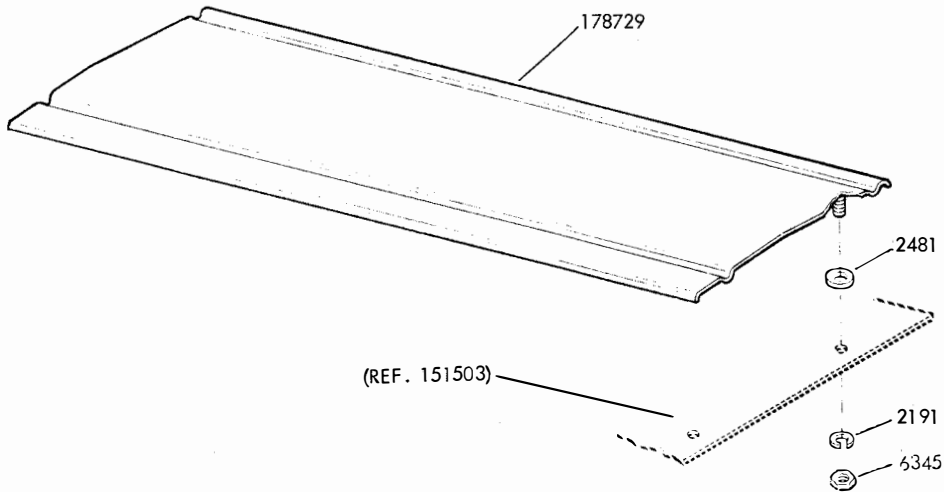
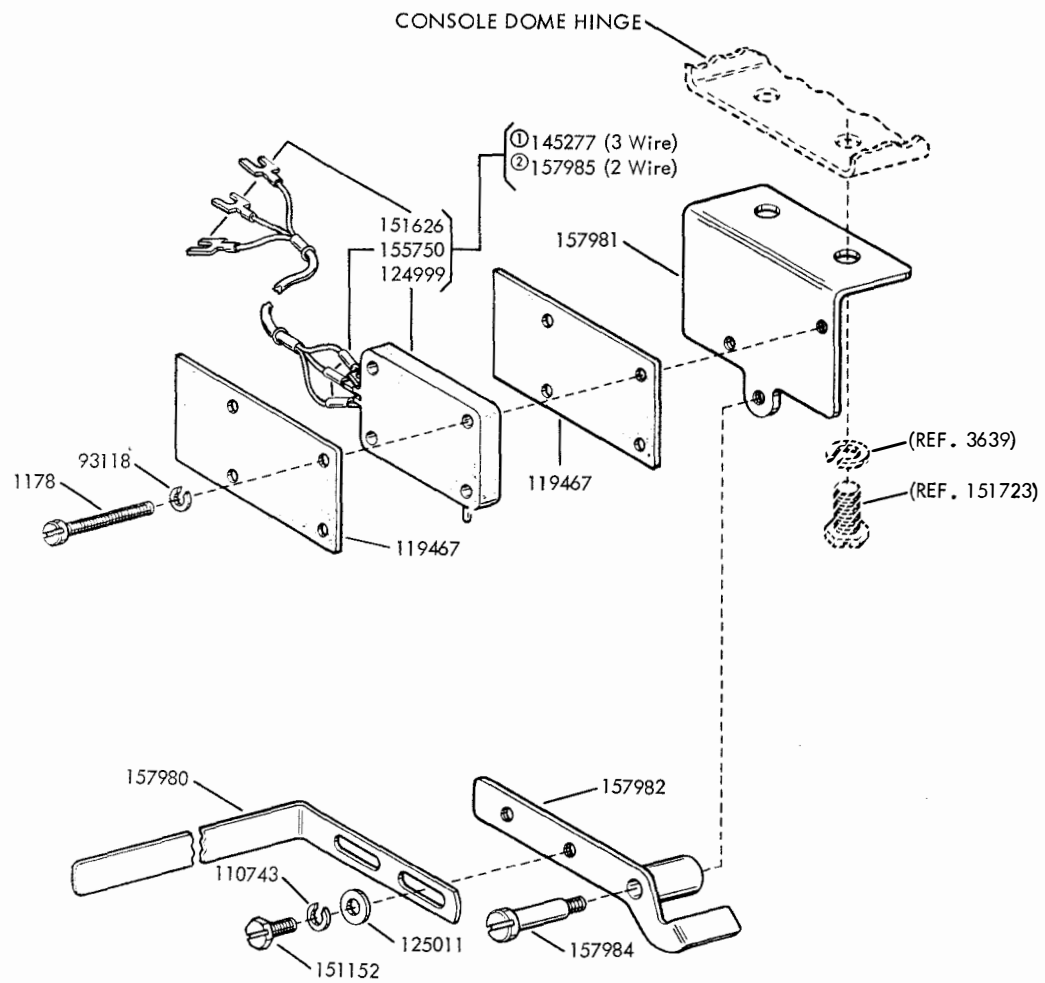


FIGURE 20. 174453 MODIFICATION KIT TO PROVIDE CABINET WITH A PAPER TEARING PLATE



- ① PECULIAR TO 145278 MODIFICATION KIT
- ② PECULIAR TO 154756 MODIFICATION KIT

FIGURE 21. 145278 and 154756 MODIFICATION KITS TO ADD FORM-CUT ALARM MECHANISM

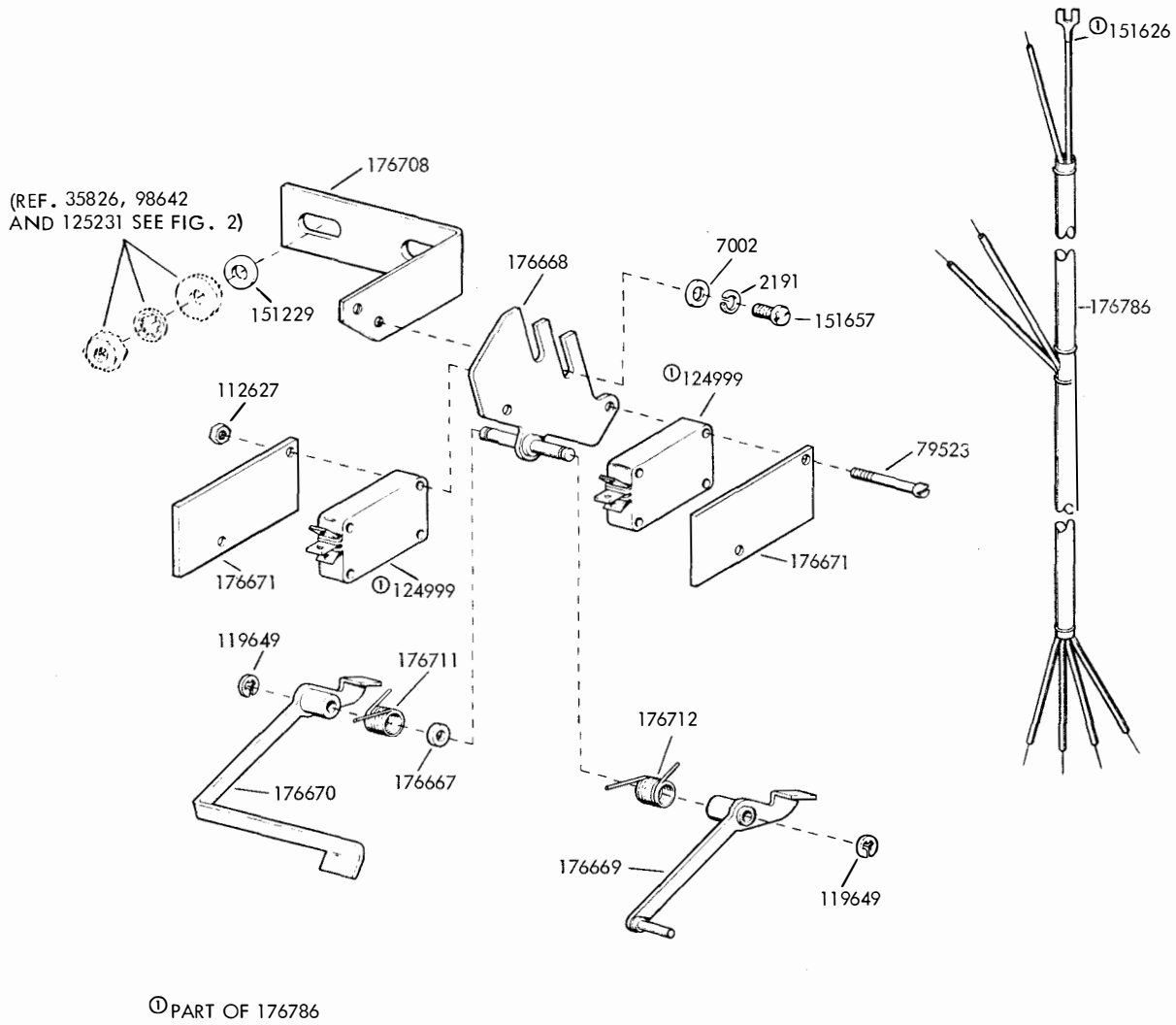


FIGURE 22. 176714 MODIFICATION KIT TO PROVIDE LOW-PAPER and PAPER-OUT ALARM

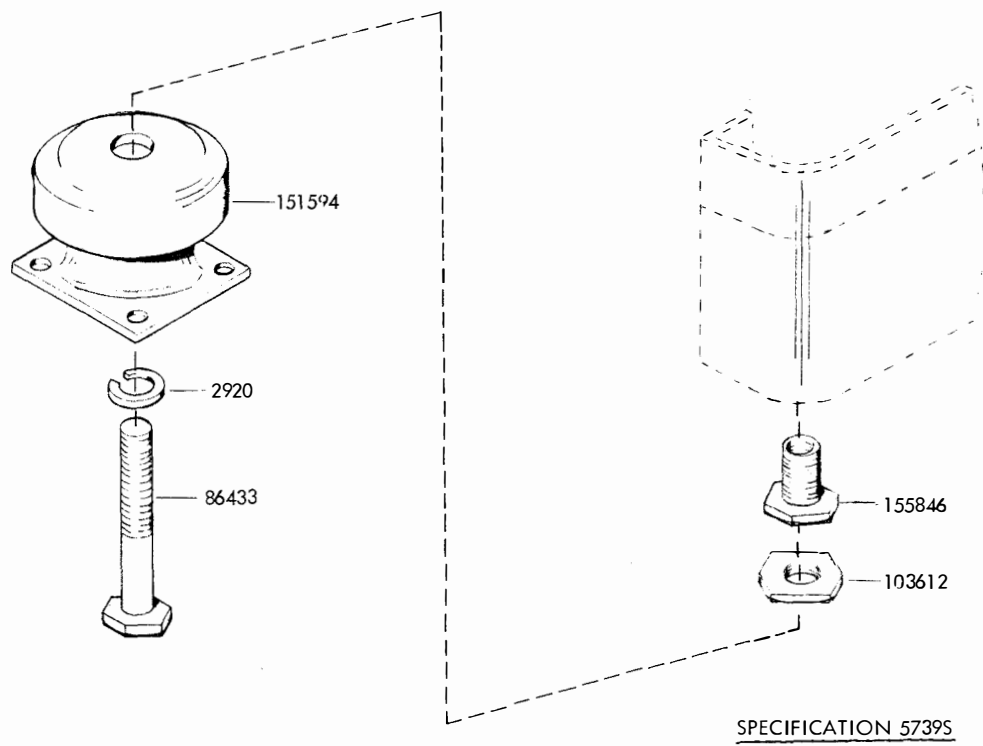
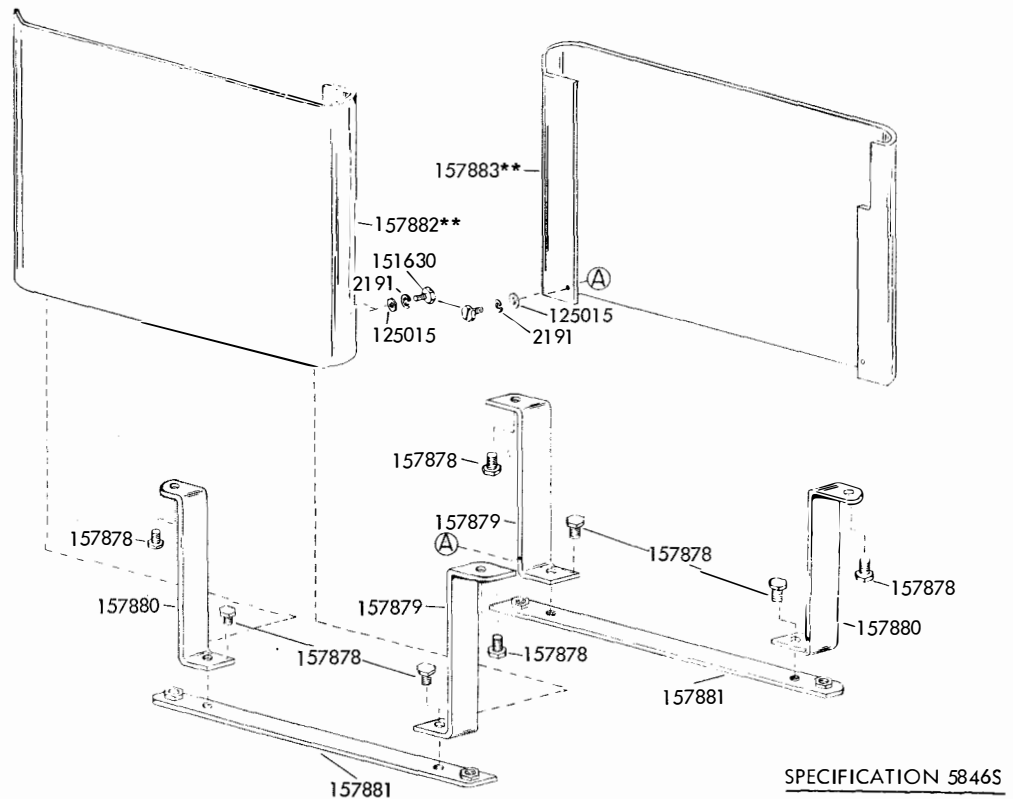
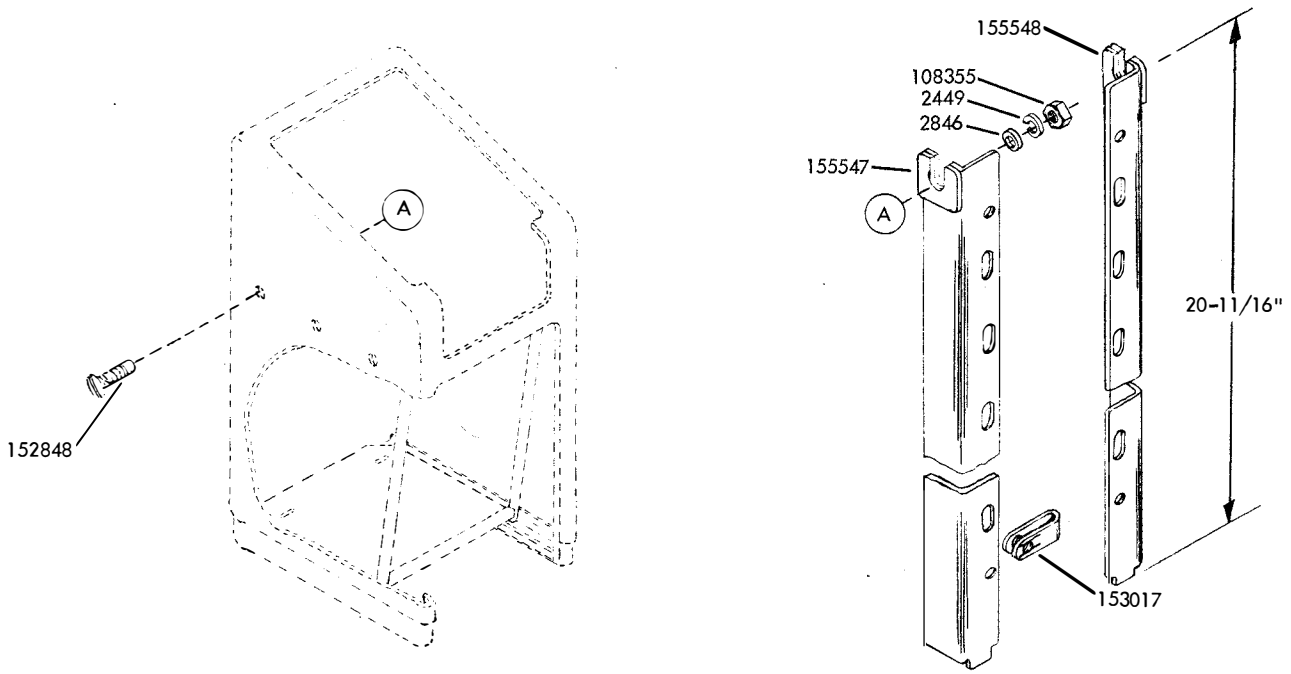


FIGURE 23. 154793 MODIFICATION KIT TO ADD SHOCK MOUNTS TO CONSOLE CABINET



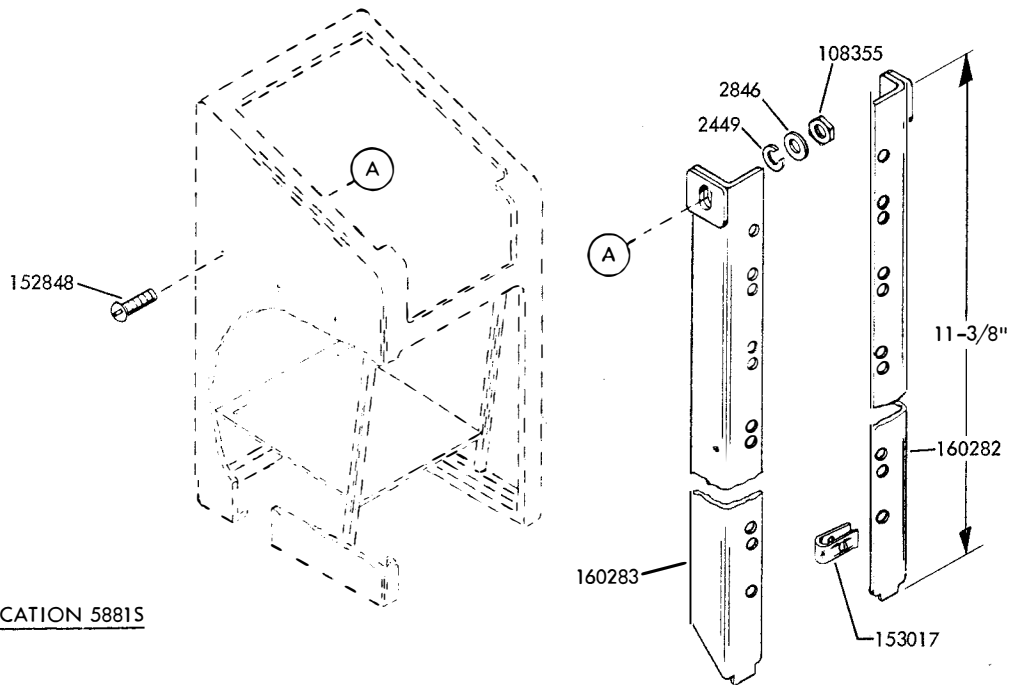
**Refer to Page 1 for Finish Suffix

FIGURE 24. 154754** MODIFICATION KIT TO PROVIDE SUB-BASE FOR CONSOLE CABINET FOR STAND-UP OPERATION



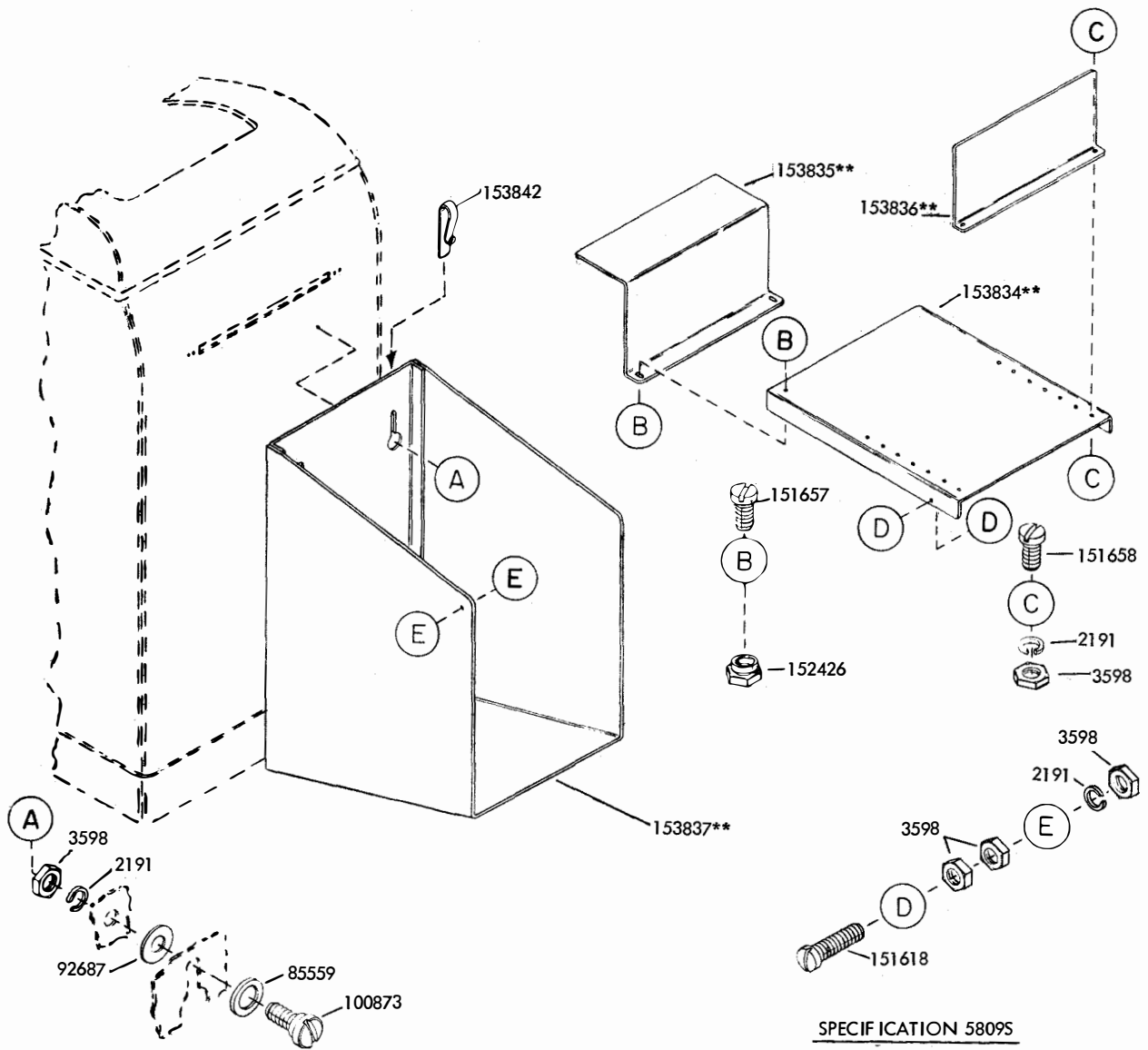
SPECIFICATION 57305

FIGURE 25. 159373 MODIFICATION KIT TO PROVIDE AN APPARATUS MOUNTING RACK



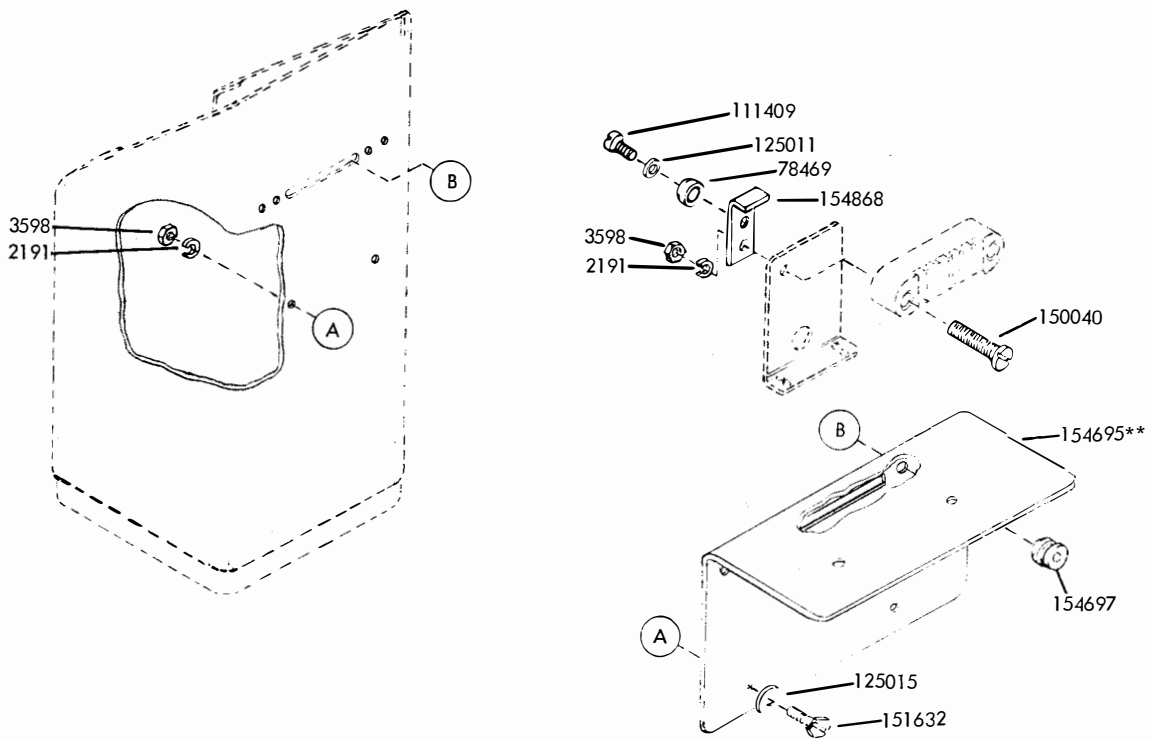
SPECIFICATION 58815

FIGURE 26. 159390 MODIFICATION KIT TO PROVIDE AN APPARATUS MOUNTING RACK



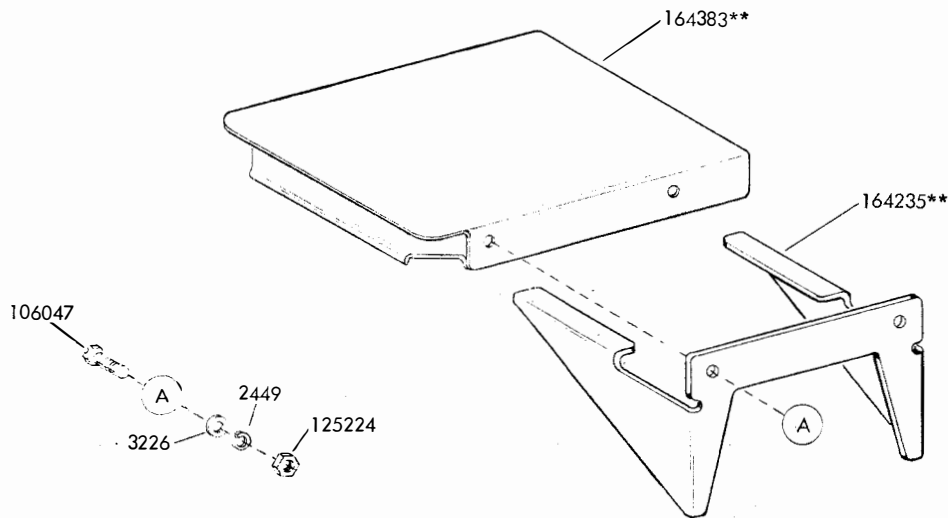
**Refer to Page 1 for Finish Suffix

FIGURE 27. 152349** MODIFICATION KIT TO PROVIDE PAPER SUPPLY AND ACCUMULATING SHELF



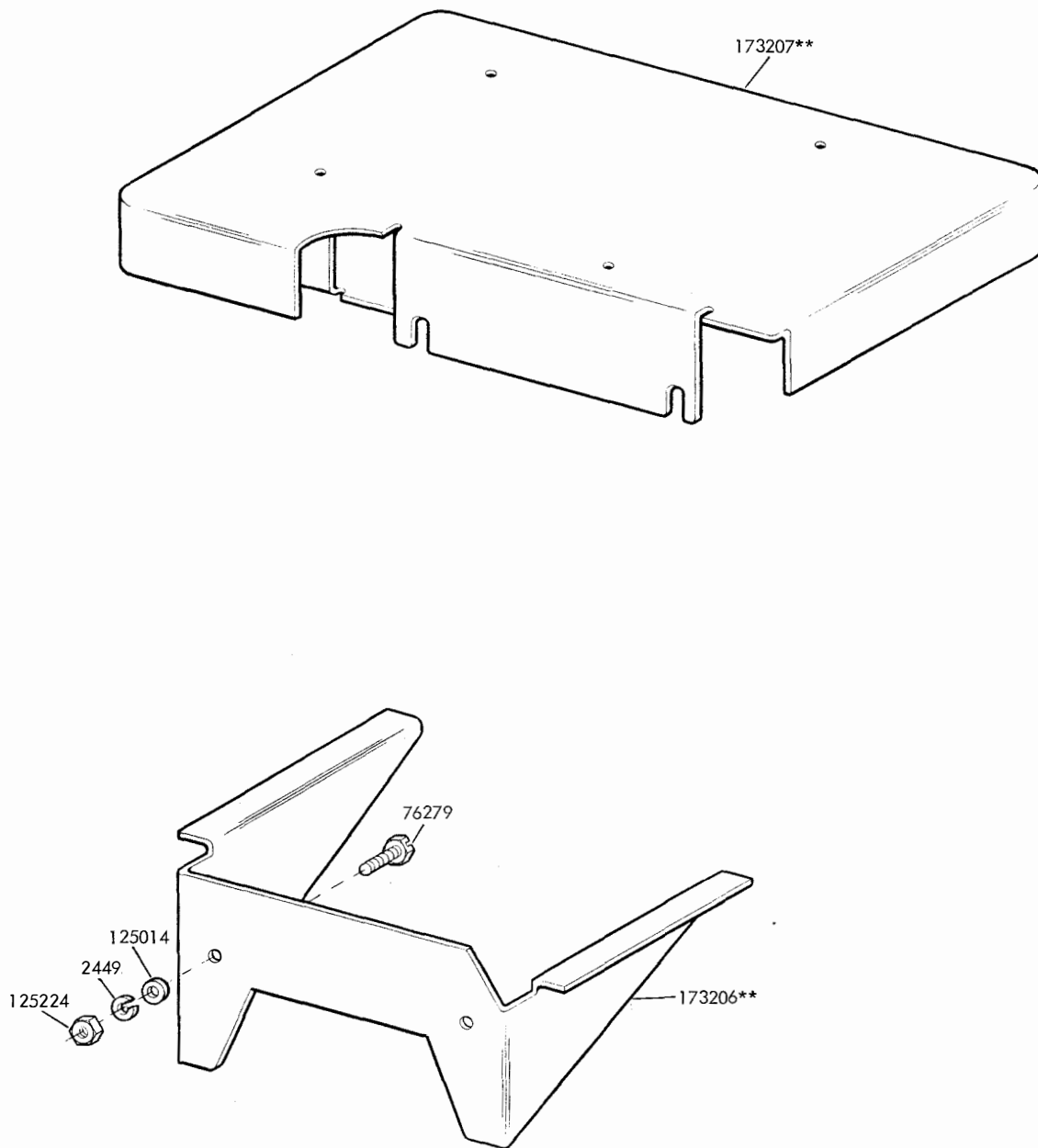
SPECIFICATION 58055

FIGURE 28. 153901** MODIFICATION KIT TO PROVIDE PAPER WINDER MOUNTING BRACKET



**Refer to Page 1 for Finish Suffix

FIGURE 29. 163796** MODIFICATION KIT TO PROVIDE TELEPHONE SHELF FOR CONSOLE CABINET



**Refer to Page 1 for Finish Suffix

FIGURE 30. 173097** MODIFICATION KIT TO PROVIDE SHELF FOR CONSOLE CABINET

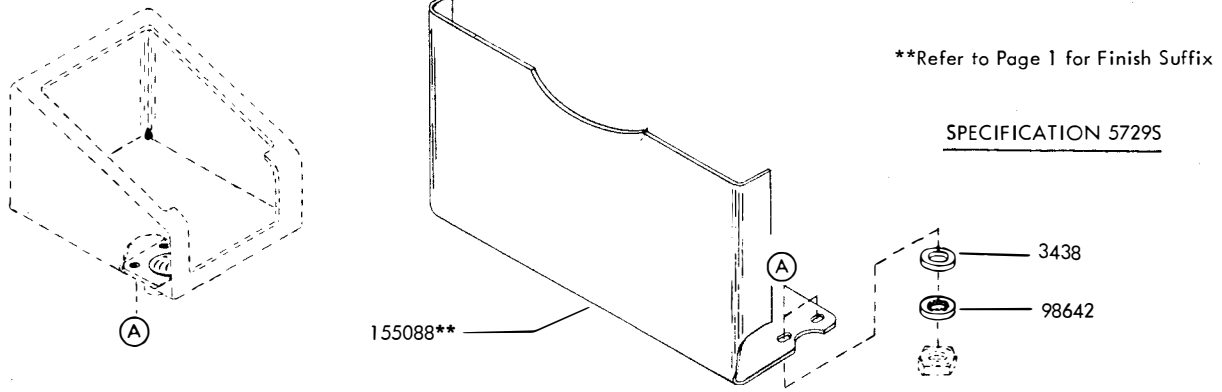


FIGURE 31. 152300** MODIFICATION KIT TO PROVIDE DIRECTORY HOLDER FOR TABLE MODEL CABINET

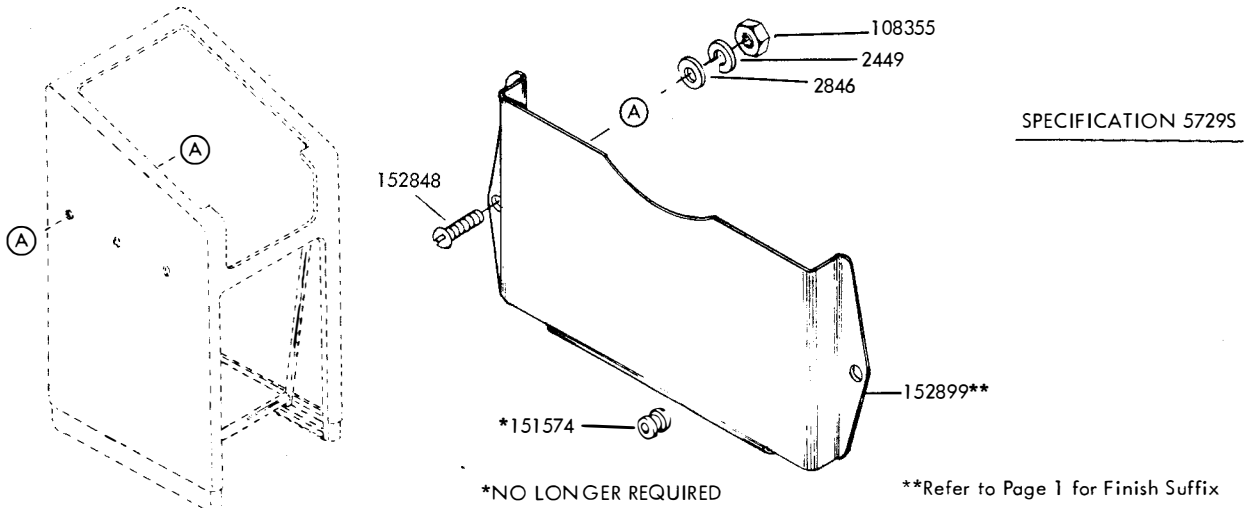


FIGURE 32. 152910** MODIFICATION KIT TO PROVIDE DIRECTORY HOLDER FOR CONSOLE MODEL CABINET

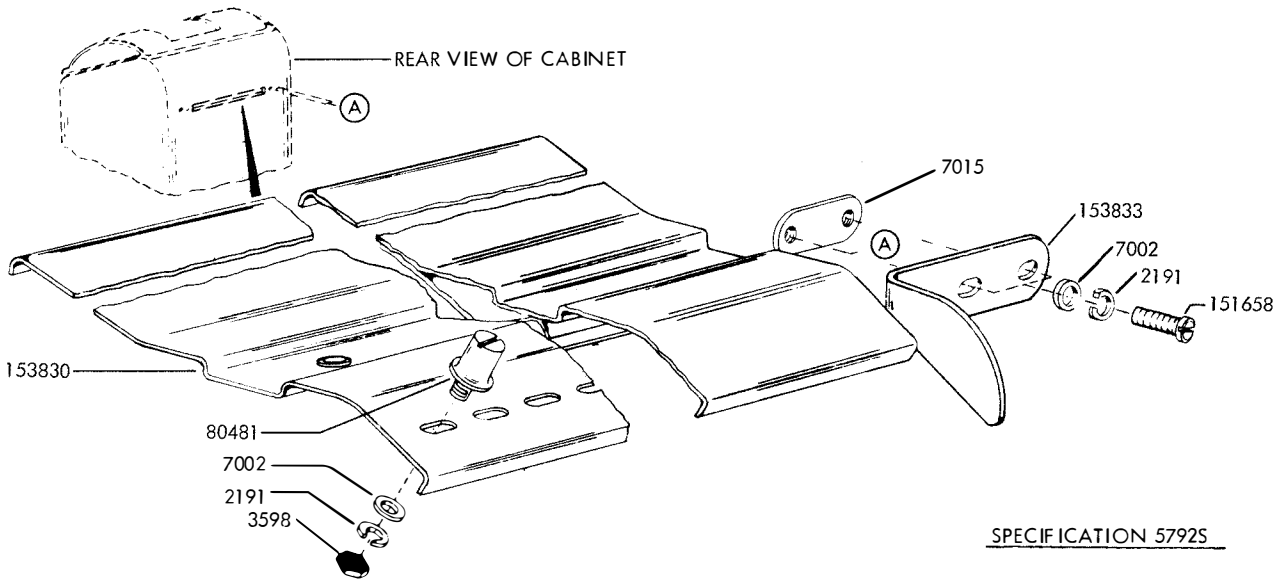


FIGURE 33. 153926 MODIFICATION KIT TO PROVIDE SPROCKET FEED REAR PAPER GUIDE

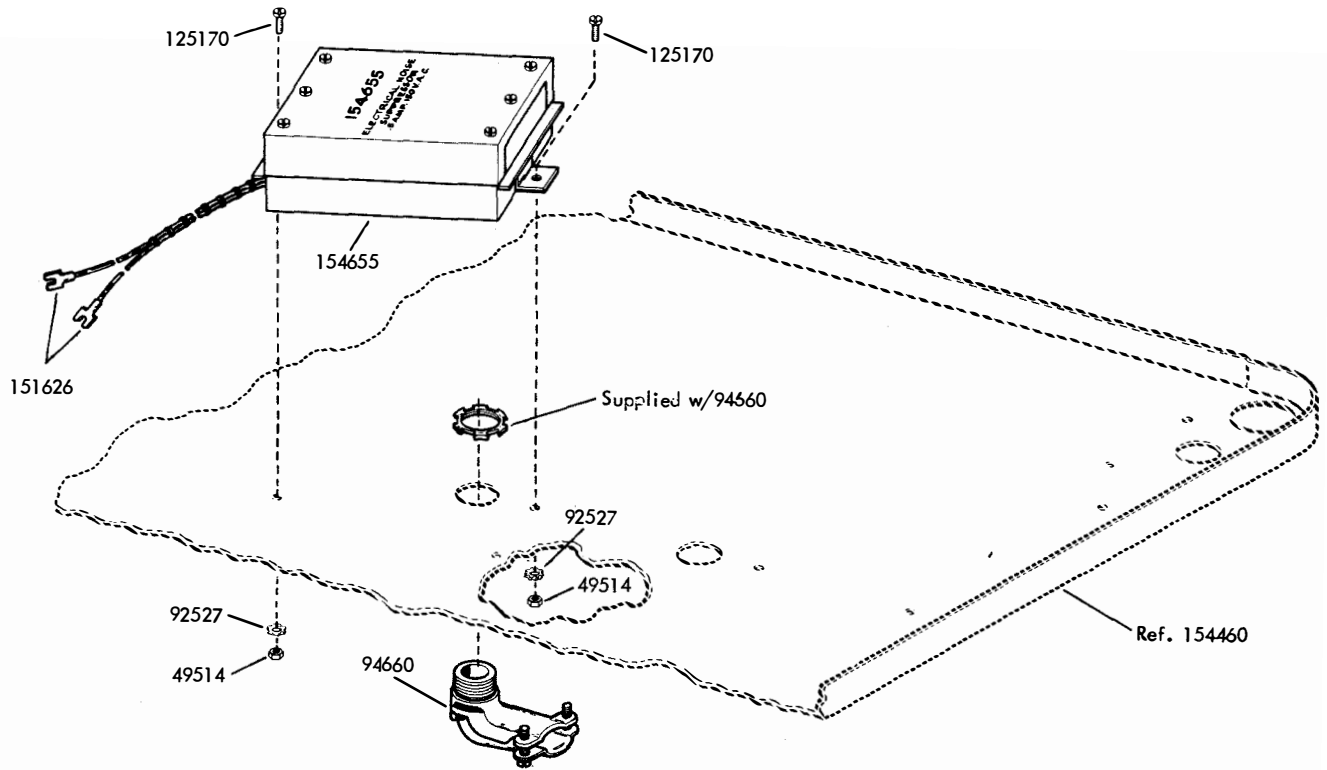


FIGURE 34. 154651 MODIFICATION KIT TO ADD SIGNAL LINE ELECTRICAL NOISE SUPPRESSOR (DC)

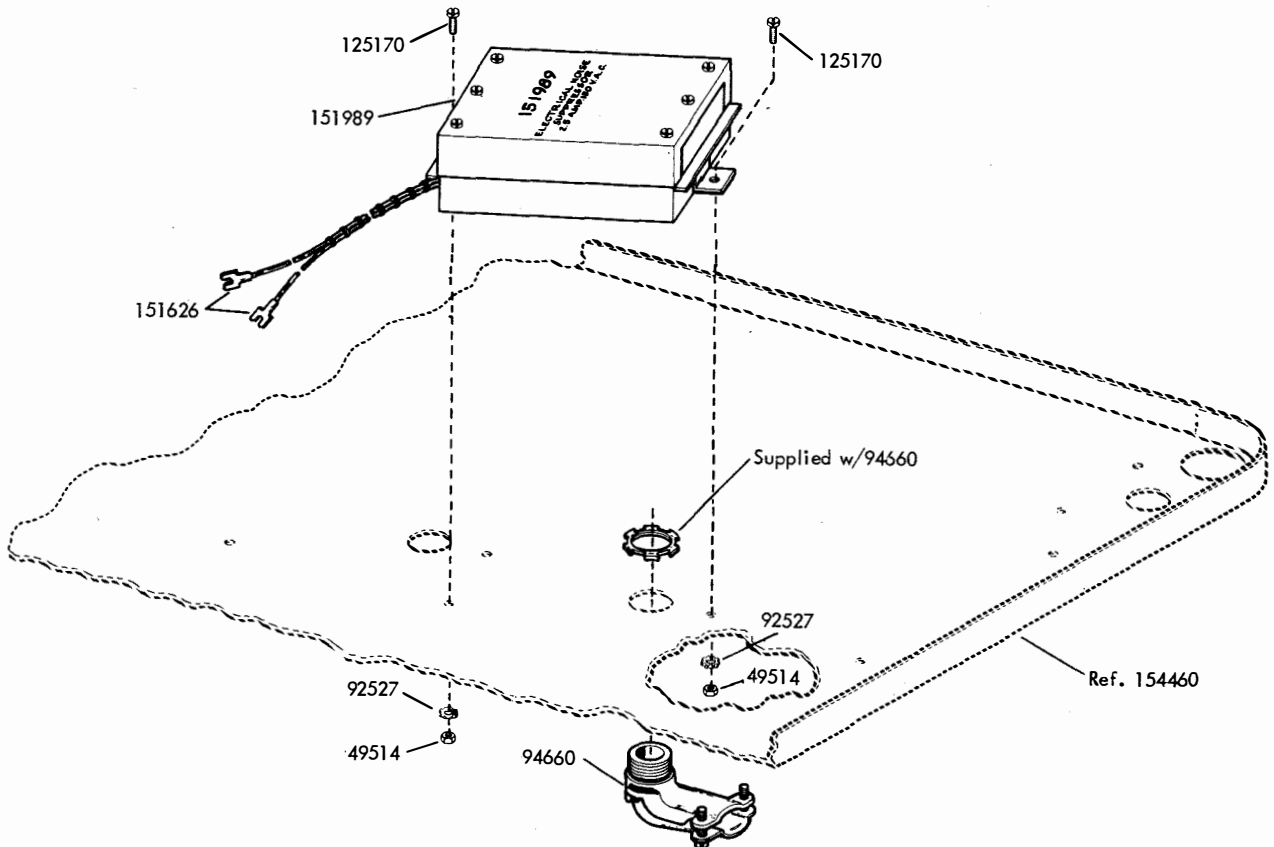


FIGURE 35. 151988 MODIFICATION KIT TO ADD POWER LINE ELECTRICAL NOISE SUPPRESSOR

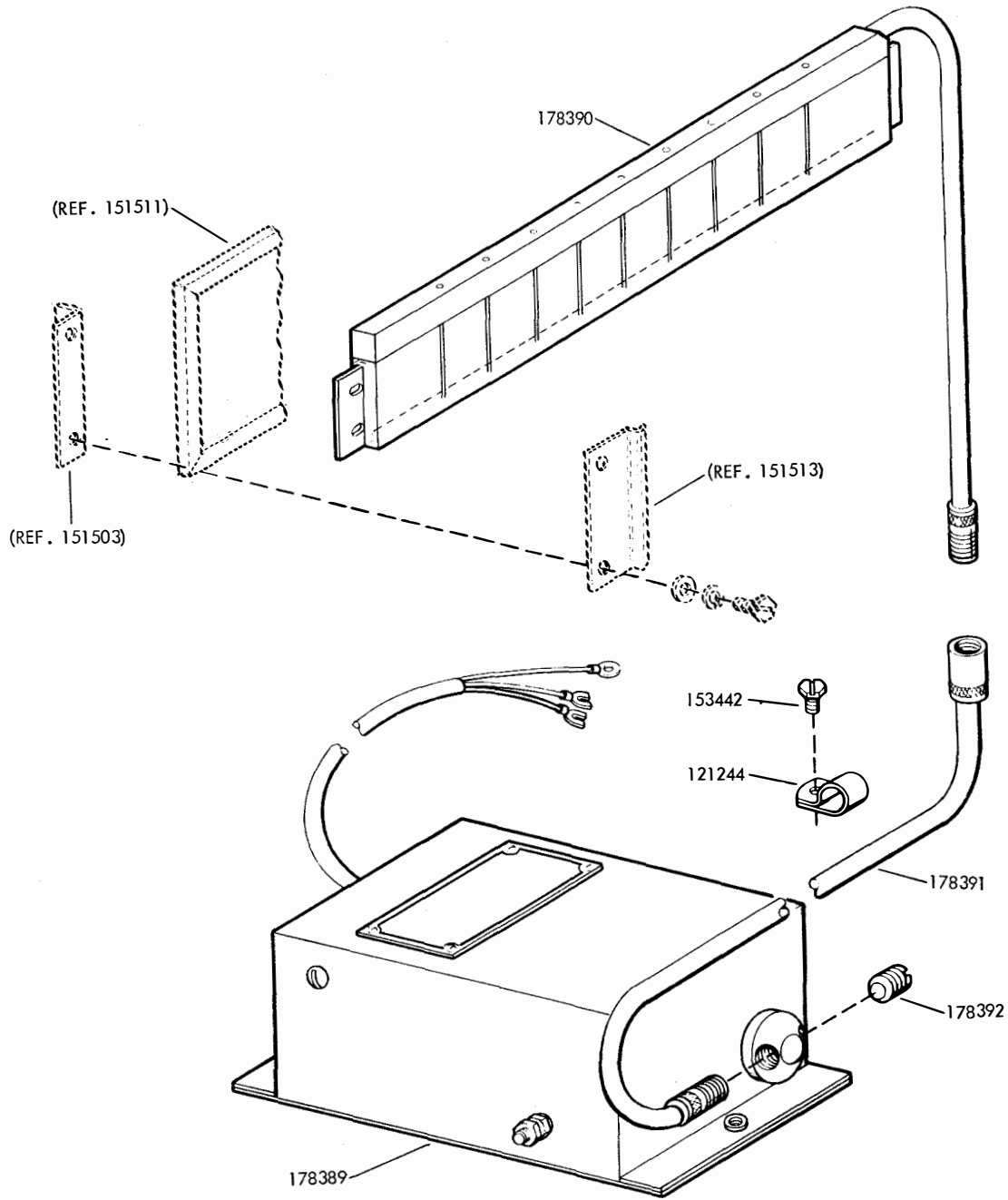
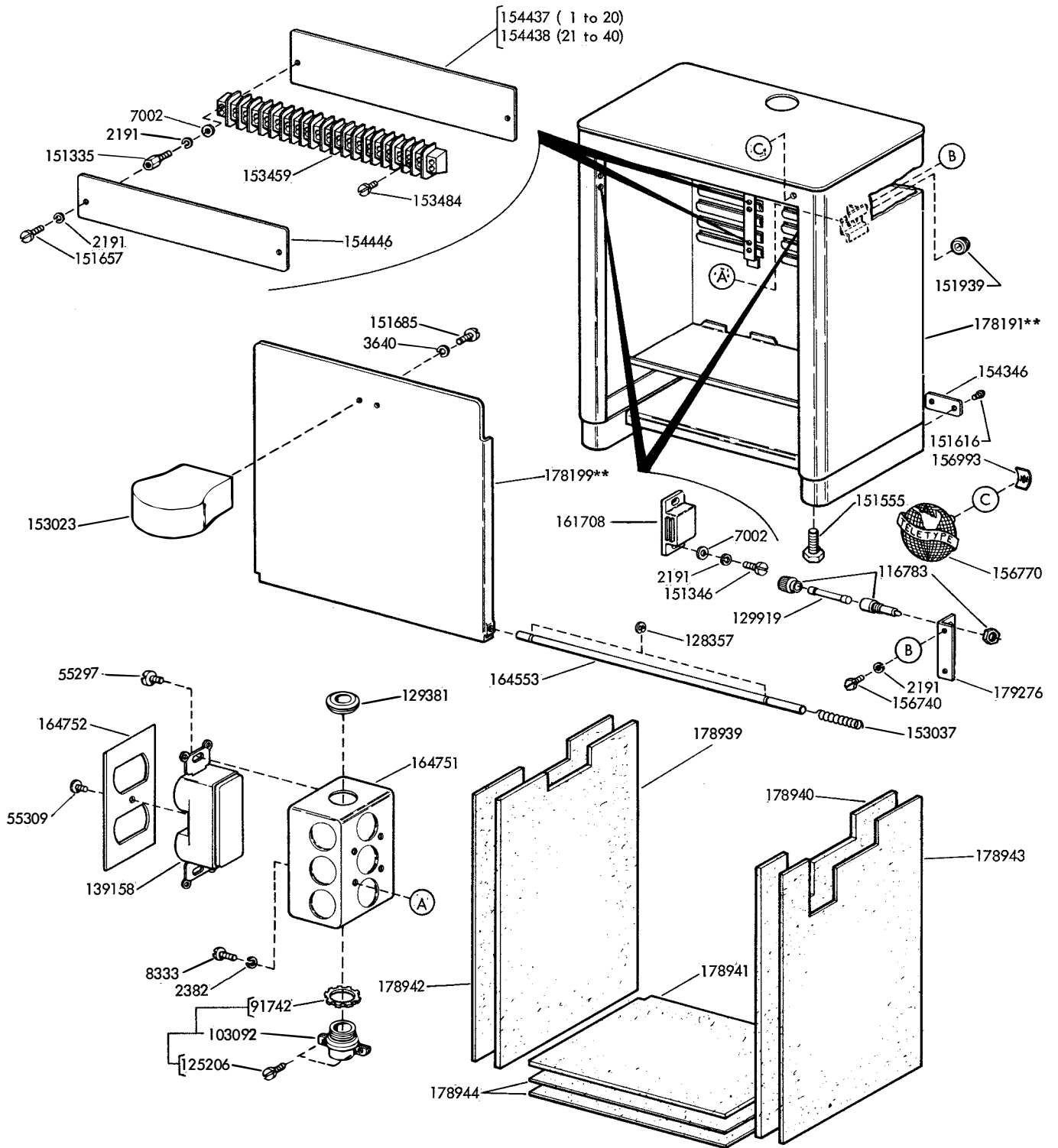


FIGURE 36. 178337 MODIFICATION KIT TO PROVIDE HIGH VOLTAGE STATIC ELIMINATOR TO NEUTRALIZE ELECTROSTATIC CHARGE ON PAGE COPY



**Refer to Page 1 for Finish Suffix

FIGURE 37. PRINTER TABLE

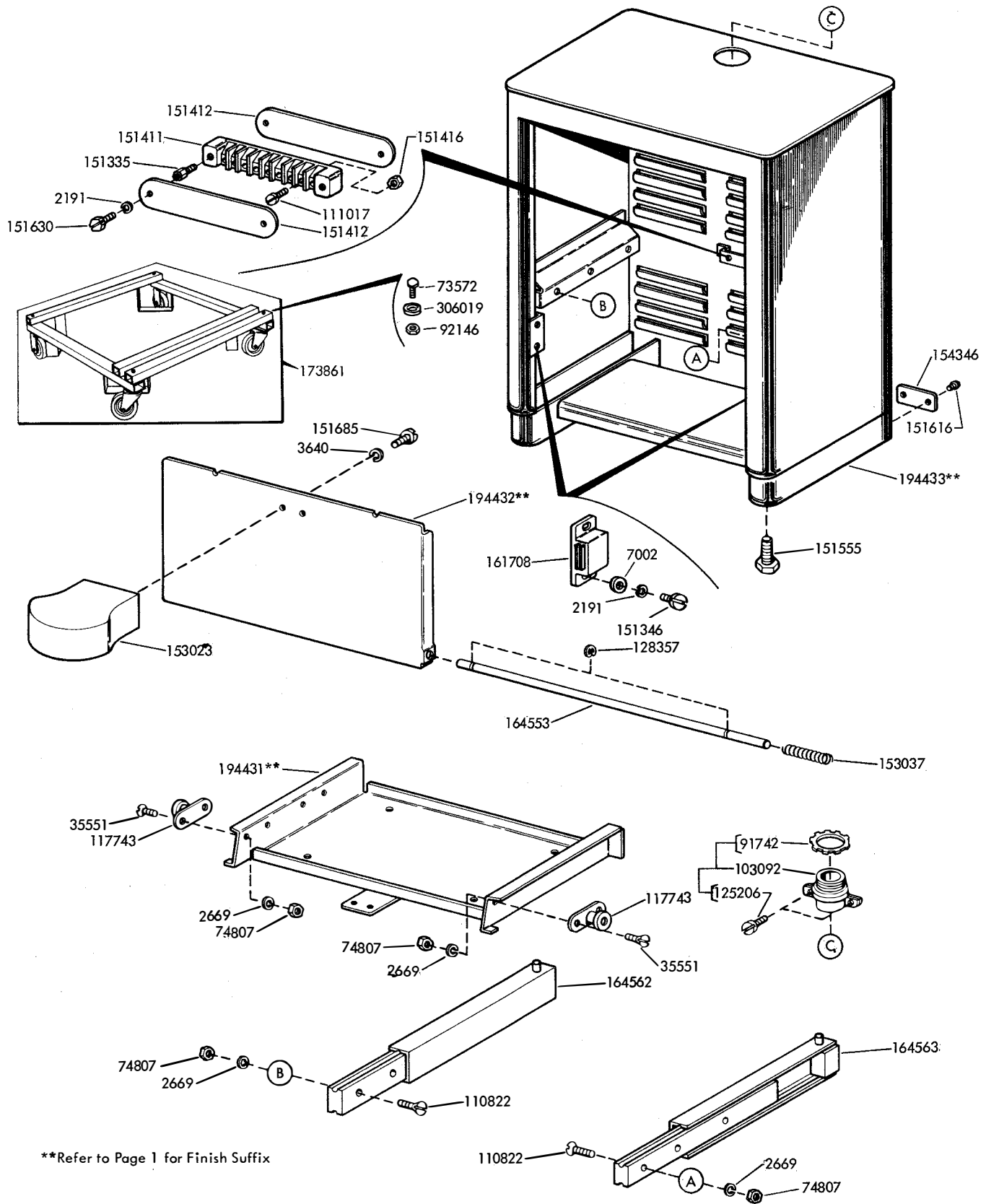


FIGURE 38. PRINTER TABLE WITH SLIDING SHELF

NUMERICAL INDEX

Part Number	Description and Page Number	Part Number	Description and Page Number	Part Number	Description and Page Number
247M	Coil, Magnet 5	55309	Screw (6-32 x 1/2 Oval) 29	102751	Nut (10-32 Hex) 6
1028	Screw (4-40 x 1/4 Fil) 5	70314	Washer, Flat 13, 14	103092	Connector, Cord 3, 4, 29, 30
1113	Screw (1/4-20 x 7/8 Hex) 5	71858	Washer, Flat 5	103120	Nut, Speed 4
1178	Screw (2-56 x 7/16 Fil) 19	73572	Screw (1/4-20 x 1 Hex) 30	103612	Nut (3/8-16 Hex) 21
1263	Screw (6-32 x 1/4 Fil) 5, 6	74011	Screw, Shoulder (6-40) 6	104701	Screw (4-40 x 9/32 Fil) 8
1268	Screw (6-40 x 5/16 Flat) 16	74479	Bushing 5	105237	Switch, Toggle 6
2191	Washer, Lock 3 to 18, 20, 21, 23, 24, 26, 29, 30	74546	Clamp, Cable 3, 4	105650	Screw (10-32 x 9/16 Hex) 17
2382	Washer, Lock 29	74567	Screw (1/4-20 x 33/64 Hex) 4, 5,	106047	Screw (1/4-32 x 1/2 Hex) 24
2449	Washer, Lock 4, 5, 9, 10, 22, 24, 25, 26	74594	Ring, Retaining 3	107116	Washer, Lock 5, 6
2481	Washer, Flat 18	74712	Spring 3, 4	107398	Terminal 9
2539	Nut (3/8-32 Hex) 3	74807	Nut (10-32 Hex) 30	108355	Nut (1/4-20 Hex) 9, 10, 22, 26
2669	Washer, Lock 17, 30	75750	Washer, Insulating 18	110434	Screw (4-40 x 3/16 Fil) 5
2846	Washer, Flat 4, 5, 9, 10, 22, 26	76099	Washer, Flat 3, 4, 5	110435	Nut (4-40 Hex) 5
2920	Washer, Lock 21	76279	Screw (1/4-32 x 5/8 Hex) 25	110437	Spring 5
3226	Washer, Flat 24	78103	Screw (6-40 x 1-3/16 Hex) 5	110743	Washer, Lock 7, 9, 10, 19
3438	Washer, Flat 3, 4, 5, 7, 17, 26	78287	Collar 5	110822	Screw (10-32 x 13/16 Flat) 3, 30
3598	Nut (6-40 Hex) 3, 4, 5, 6, 8, 12, 13, 15 to 18, 23, 24, 26	78469	Foot, Rubber 24	111017	Screw (6-40 x 5/16 Fil) 11, 12, 13, 17, 30
3639	Washer, Lock 3 to 7, 11, 12, 13	79523	Screw (2-56 x 25/32 Fil) 20	111409	Screw (4-40 x 7/32 Fil) 24
3640	Washer, Lock 5, 6, 7, 9, 10, 29, 30	80342	Screw (6-40 x 23/64 Hex) 5	112626	Nut (10-32 Hex) 9
3646	Washer, Lock 5	80481	Screw (6-40 Spl) 26	112627	Nut (2-56 Hex) 20
4703	Spring 5, 6, 7	80854	Screw (6-40 x 1-7/16 Fil) 13, 14	114589	Mount, Vibration 5
4851	Terminal 14	82474	Terminal 5, 8, 9, 11 to 16, 18	114766	Stud 3
5816	Washer, Insulating 8, 15	82505	Screw (6-32 x 11/32 Fil) 7	116783	Holder, Fuse 29
6344	Screw (6-32 x 11/32 Hex) 11	84579	Washer, Flat 3, 4	117743	Roller 30
6345	Nut (6-32 Hex) 3, 4, 16, 18	85529	Screw, Shoulder (10-32) 6	117878	Jumper (3" Black) 14
6347	Screw (6-32 x 3/8 Rd) 17	85559	Washer, Flat 23	118118	Ballast 5
7002	Washer, Flat 3, 4, 5, 6, 8, 11, 12, 13, 15 to 18, 20, 26, 29, 30	86433	Screw (3/8-16 x 2 Hex) 21	118119	Socket, Starter 5
7015	Strip 26	89515	Screw (6-32 Spl) 4	118759	Block, Terminal 3
8333	Screw (10-32 x 3/8 Rd) 3, 4, 5, 29	89969	Washer, Insulating 13, 14	119467	Insulator (.032") 19
34432	Washer, Flat 6	90096	Washer, Insulating 12	119638**	Button, Plug 3
35551	Screw (10-32 x 3/8 Flat) 30	90599	Shim (.008") 7, 9	119641**	Button, Plug 3
35826	Washer, Flat 3, 4	90814	Resistor (1000 Ohm) 8, 15	119649	Ring, Retaining 20
41663	Washer, Flat 11	91683	Nut (15/32-32 Hex) 6, 11, 12, 13	119715	Spacer 11
43954	Bell 5	91742	Nut, Lock 29, 30	121242	Clamp, Cable (1/8" ID) 12
45815	Washer, Lock 9	92146	Nut (1/4-20 Hex) 30	121243	Clamp, Cable (3/16" ID) 5, 8, 11, 12, 13
49514	Nut (8-32 Hex) 27	92527	Washer, Lock 27	121244	Clamp, Cable (1/4" ID) 8, 13, 28
55219	Screw (8-32 x 3/8 Fil) 5	92687	Washer, Flat 23	121245	Clamp, Cable (5/16" ID) 6, 8, 11, 12, 13, 17
55297	Screw (6-32 x 5/16 Flat) 29	93108	Washer, Lock 5, 7	121247	Clamp, Cable (7/16" ID) 8
		93118	Washer, Lock 19	121248	Clamp, Cable (1/2" ID) 17
		94660	Connector (90°) 27	124999	Switch, Sensitive 19, 20
		96258BK	Jumper (3" Black) 14	125011	Washer, Flat 19, 24
		98642	Washer, Lock 3, 4, 7, 26	125014	Washer, Flat 25
		100873	Screw, Shoulder (6-40) 23	125015	Washer, Flat 5, 21, 24
		102092	Screw (6-40 x 1-17/32 Rd) 18	125110	Screw (4-36 x 3/16 Fil) 15
		102180	Screw (6-40 x 1-15/16 Fil) 8, 15		
		102617	Lamp 5		
		102620	Starter 5		

**Refer to Page 1 for Finish Suffix

NUMERICAL INDEX (Continued)

Part Number	Description and Page Number	Part Number	Description and Page Number	Part Number	Description and Page Number
125130	Screw (6-32 x 1/2 Fil) 17	151507	Button 3, 4	151574	Grommet, Rubber 5 26
125139	Screw (4-40 x 1/8 Fil) 8	151508	Spring, Torsion 3, 4	151575	Arm, Stop 6
125170	Screw (8-32 x 5/16 Fil) 27	151509	Washer, Rubber 3, 4	151576	Arm, Stop 7
125206	Screw (6-32 x 5/8 Fil) 29, 30	151510	Window, Plastic 5	151577	Screw, Shoulder (6-40) 5
125218	Nut (1/4-32 Hex) 5	151511	Gasket 5	151578	Hinge 3, 4
125224	Nut (1/4-32 Hex) 24, 25	151512	Seal, Noise 3, 4	151579	Plate, Retaining 5
125231	Nut (10-32 Hex) 3 to 7, 11, 12	151513	Retainer, Window 3, 4	151589	Cradle Assembly 5
128357	Ring, Retaining 3, 29, 30	151514	Bar, Dome Latch 3, 4	151590	Indicator Assembly, Margin 6
129381	Grommet, Rubber 29	151515	Button, Push 3, 4	151594	Mount, Vibration 21
129502	Resistor (100 Ohm) 12	151516	Bracket 6	151595	Arm Assembly, Stop 6
129919	Fuse (4 Amp) 29	151519	Arm, Latch 3, 4	151596	Arm Assembly, Stop 7
136884	Cable W/Terminal 14	151521	Stud 5	151597**	Panel Assembly 4
139158	Connector, Receptacle (Duplex) 29	151522	Rail, Side Cradle 5	151598	Bushing 3
144600	Modification Kit 17	151523	Hub 3, 4	151599	Lever 3, 4
145047	Connector, Receptacle (3 Pt) 9	151524	Hinge, Cradle 5	151616	Screw, Self-Tapping (#2) 3, 29, 30
145077**	Cabinet 3	151525	Rail, Rear Cradle 5	151618	Screw (6-40 x 7/16 Fil) 23
145214	Bracket, Mounting 17	151526	Screw, Thumb (10-32) 3, 4	151626	Terminal 3, 5, 6, 11, 12, 13, 18, 19, 20, 27
145216	Bracket, Terminal 17	151527**	Bar, Cross 3, 4	151630	Screw (6-40 x 1/4 Hex) 3, 6 to 8, 11, 12, 16, 18, 21, 30
145217	Block, Mounting 17	151528	Spring, Torsion 6	151631	Screw (6-40 x 5/16 Hex) 8, 10, 12 to 15
145219	Cable Assembly 17	151529	Plate 5	151632	Screw (6-40 x 3/8 Hex) 17, 24
145220	Modification Kit 17	151530**	Hinge, Dome 3, 4	151637	Screw (4-40 x 1/4 Fil) 7, 9, 10
145253	Lamp, Neon 17	151531	Plate, Starter 5	151657	Screw (6-40 x 1/4 Fil) 3, 4, 11, 12, 13, 20, 23, 29
145254	Lens, Clear Indicator Light 3	151532**	Cover, Form Slot 4	151658	Screw (6-40 x 5/16 Fil) 5, 6, 23, 26
145256	Connector, Plug (3 Pt) 9	151534	Screw, Shoulder (10-32) 3, 4	151659	Screw (6-40 x 1/2 Fil) 8, 17
145277	Cable Assembly 19	151536	Guide 3, 4	151685	Screw (4-40 x 5/16 Fil) 2, 3, 6, 7, 9, 10, 29, 30
145278	Modification Kit 19	151537	Copyholder 6	151686	Screw (4-40 x 3/8 Fil) 5
145721	Bracket, Mounting 17	151538	Spring, Torsion 3, 4	151691	Screw (10-32 x 3/8 Fil) 11
150040	Screw (6-40 x 5/8 Fil) 3, 4, 5, 17, 24	151540	Lampholder 5, 6, 8, 11, 12, 13, 15, 16, 18	151692	Screw (6-40 x 3/16 Fil) 3, 4
150361	Spacer 14	151541	Shaft W/Fork 3, 4	151718	Socket, Lamp 5
150710	Screw (6-40 x 1-1/4 Fil) 12	151542	Stud 3, 4	151722	Screw (6-40 x 3/16 Hex) 5
150966	Insulator (1-4) 11, 12, 13	151544	Shield 5	151723	Screw (10-32 x 3/8 Hex) 3, 4, 5, 12
151152	Screw (4-40 x 3/16 Hex) 19	151545	Guide, Paper 3, 4	151724	Screw (10-32 x 5/8 Hex) 11, 14
151229	Washer, Flat 20	151547	Spring, Torsion 6	151726	Bumper, Rubber 3
151335	Stud 3, 12, 13, 29, 30	151548	Spring 6	151727**	Extension, Hinge 3, 4
151346	Screw (6-40 x 3/8 Fil) 5, 8, 29, 30	151549	Post 5	151819	Jumper (3" Black) 3
151411	Block, Terminal 30	151550	Cable Assembly 5	151827	Strap, Terminal 11
151415	Block, Terminal 11, 12, 13	151551	Copyright Assembly 5	151939	Grommet, Rubber 29
151412	Insulator (1-9) 30	151553	Foot 3	151955	Guide, Cable 5
151416	Nut (6-40 Hex) 11, 12, 13, 17, 30	151555	Foot, Mounting 5, 6, 29, 30	151956	Guide, Cable 3, 4
151435	Insulator (1-30) 3	151556	Knob 3, 4	151982	Lamp, Incandescent (6V) 6, 11, 12, 16
151436	Cover 3	151558	Nut, Speed 3, 4, 8, 15		
151442	Screw (6-40 x 1/2 Hex) 5	151559	Spring 3, 4		
151500**	Cabinet 3	151560	Bell Assembly, Remote 5		
151503**	Door 3, 4	151562	Lamp, 115V Incandescent 6		
151504	Gasket 3, 4	151564	Bracket 5		
151505	Gasket 3, 4	151565	Bushing, Shoulder 5		
151506	Latch 3, 4	151567	Armature W/Clapper 5		
		151569	Strap 5		
		151571	Cable W/Terminals 5		
		151572	Washer, Lock 5		
		151573**	Panel 4		

**Refer to Page 1 for Finish Suffix

NUMERICAL INDEX (Continued)

Part Number	Description and Page Number	Part Number	Description and Page Number	Part Number	Description and Page Number
151983	Shield 6	153130**	Copyholder 7,9	154756	Modification Kit 19
151988	Modification Kit 27	153388	Stud 3, 4, 11	154777	Modification Kit 13
151989	Suppressor, Electrical Noise 27	153400	Lamp, 60V Incandescent 6, 8, 11, 13, 14, 15, 17, 18	154793	Modification Kit 21
152056	Guide, Cable 3	153442	Screw (10-32 x 1/2 Hex) 3 to 6, 11, 12, 13, 28	154868	Plate 24
152300**	Modification Kit 26	153455	Resistor (600 Ohm) 18	154869**	Bracket 7
152309	Copyright Assembly 6	153459	Block, Terminal 3, 4, 8, 16, 29	154874	Connector, Plug (2 Pt) 15
152310	Modification Kit 6	153465	Nut (6-32 Hex) 16	155045	Switch, Toggle (SP-DT) 6, 11, 12, 13
152319	Modification Kit 16	153466	Cover 3, 4, 16	155063	Pad 13, 14
152349**	Modification Kit 23	153467	Insulator 16	155083	Lens, Red Indicator Light 3, 4, 8, 15
152426	Nut, Self-Locking (6-40 Hex) 23	153468	Insulator, Left (1-20) 3, 4, 16	155085**	Bracket 7
152465	Connector, Receptacle (20 Pt) 9	153469	Strip, Right 16	155086	Pad, Rubber 7
152466	Connector, Receptacle (20 Pt) 8, 9	153470	Insulator, Right (21-40) 3, 4, 16	155087	Screw (1/4-20 x 7/16 Rd) 7
152767**	Dome 3, 4	153471	Strip, Left 16	155088**	Holder 26
152768	Window, Glass 5	153474	Cable Assembly 6	155547	Bracket, Left 22
152797**	Plate 4	153484	Screw (6-32 Spl) 3, 4, 8, 16, 29	155548	Bracket, Right 22
152848	Screw (1/4-20 x 3/4 Rd) 9, 10, 22, 26	153486	Bracket 6	155563	Plate, Mounting 14
152882	Arm, Left Counterbalance 3, 4	153487	Cable Assembly 6, 18	155597	Lens, Yellow Indicator Light 3, 16
152883	Arm, Right Counterbalance 3, 4	153488**	Cabinet 3	155614	Cover 8
152884	Screw (12-24 x 1 Hex) 3, 4	153537	Screw (6-40 x 9/32 Hex) 7, 9, 10	155723	Screw (4-48 x 1/2 Fil) 8
152899**	Holder 26	153540**	Cabinet 4	155750	Sleeve, Insulating (3/32 ID x 1/2" Lg) 9, 19
152902	Modification Kit 15	153541	Cover 4	155751	Sleeve, Insulating (1/8 ID x 1" Lg) 9, 13, 14
152910**	Modification Kit 26	153622	Jumper (5" Purple) 14	155752	Sleeve, Insulating (5/64 ID x 1/2" Lg) 9
153017	Nut, Speed 22	153830	Guide, Rear 26	155753	Sleeve, Insulating (1/8 ID x 1/2" Lg) 9
153020	Guide, Line 5, 6	153833	Bracket, Guide 26	155754	Sleeve, Insulating (1/16 ID x 1/2" Lg) 9
153021	Spring, Torsion 5, 6, 7, 9, 10	153834**	Shelf, Paper 23	155755	Sleeve, Insulating (11/64 ID x 5/8" Lg) 9
153022	Bushing 5, 6, 7, 9, 10	153835**	Plate, Deflector 23	155766	Clamp, Cable 8
153023	Handle 5, 6, 7, 9, 10, 29, 30	153836**	Bracket, Backstop 23	155846	Bushing, Adapter 21
153024	Shaft 6	153837**	Shelf, Paper Box 23	155858	Resistor (700 Ohm) 13, 14
153027	Post 6	153842	Clip, Paper Holder 23	155859	Screw (4-40 x 1/8 Pan Hd) 8, 9
153032	Bracket, Detent 3	153901**	Modification Kit 24	155860	Screw (4-40 x 3/8 Rd) 8, 9
153033	Arm, Detent 3	153920	Modification Kit 8	155861	Washer, Lock 8, 9
153034	Shaft Assembly 3	153926	Modification Kit 26	155862	Spring 3, 4
153035**	Panel 3	154308	Pad 3, 4	155899	Nut (12-24 Spl) 3, 4
153036	Shaft 3	154346	Plate, Instruction 29, 30	156740	Screw (6-40 x 7/32 Hex) 29
153037	Spring, Compression 3, 29, 30	154348	Plate, Instruction (ON-OFF) 3	156770	Plate, Identification (Teletype) 3, 4, 29
153039	Handle 3	154399	Plate, Identification (Bell) 3	156993	Nut, Speed 3, 4, 29
153042	Window, Plastic 5	154404	Tray, Copyholder 5, 6	157152	Modification Kit To Add Terminal Block Assembly 8
153043	Window, Glass 5	154409**	Plate 3, 4	157153	Bracket Assembly 8
153046	Copyholder Assembly 5	154437	Insulator (1-20) 29	157154	Insulator (41-80) 8
153047	Copyholder Assembly 7	154438	Insulator (21-40) 29	157155	Cover 8
153048	Stud, Wing Head 3	154446	Cover 29	157156	Cable Assembly 8
153099	Arm, Pivot 7, 9, 10	154651	Modification Kit 27	157157	Modification Kit To Add Busy Lamp 8
153100**	Cabinet 3	154655	Suppressor, Electrical Noise 27	157158	Cable Assembly 8
153104**	Bracket 7, 9	154695**	Bracket 24	157159	Plate 8, 15
153106**	Plate, Bearing 7, 9	154697	Grommet, Rubber 24		
153107	Arm 7, 9, 10	154741	Modification Kit 8		
153113	Guide, Line 7, 9, 10	154754**	Modification Kit 21		
153126	Plate, Nut 7, 9, 10				

**Refer to Page 1 for Finish Suffix

NUMERICAL INDEX (Continued)

Part Number	Description and Page Number	Part Number	Description and Page Number	Part Number	Description and Page Number
157160	Cable Assembly 15	160283	Bracket 22	176669	Lever 20
157260	Cable Assembly 8	160394	Lens, Indicator Light 16	176670	Lever 20
157278	Cable Assembly 11, 12	160461	Bracket 8	176671	Insulator 20
157280	Cable Assembly 12	161306	Modification Kit To Provide Copyholder with a Formed Line Guide Shaft 5, 6	176708	Bracket 20
157281	Transformer Assembly 12			176711	Spring, Torsion 20
157282	Bracket 12			176712	Spring, Torsion 20
157393	Grommet, Rubber 8			176714	Modification Kit 20
157399	Connector, Receptacle (35 Pt) 8	161708	Latch, Magnetic 29,30	176786	Cable Assembly 20
		161750	Bracket 8	178191**	Table W/Pads 29
157532	Modification Kit To Add Terminal Board and Cable Assembly 8	162370	Cable 8	178199**	Panel 29
		162590	Shaft 5	178387	Modification Kit 28
		162628	Shaft W/Fork 3, 4	178389	Power Unit 28
157878	Screw (1/2-13 x 5/8 Hex) 21	163161	Connector, Plug (20 Pt) 9	178390	Bar 28
		163796**	Modification Kit 24	178391	Cable 28
157879	Bracket 21	164024**	Modification Kit 9	178392	Plug, Outlet 28
157880	Bracket 21	164025**	Bracket 7, 9	178729	Plate, Tear 18
157881	Plate 21	164028**	Copyholder 7, 9	178892**	Copyholder 10
157882**	Cover 21	164235**	Bracket 24	178893**	Plate 10
157883**	Cover 21	164362	Modification Kit 6	178894**	Bracket 10
157980	Extension 19	164383**	Shelf 24	178895	Shaft 10
157981	Bracket 19	164553	Shaft 29, 30	178897**	Modification Kit 10
157982	Lever 19	164562	Slide, Left 30	178900**	Cabinet 3
157984	Screw, Shoulder (4-40) 19	164563	Slide, Right 30	178914**	Plate, Bearing 10
		164751	Box, Junction 29	178939	Pad, Left Side 29
157985	Cable Assembly 19	164752	Plate, Cover 29	178940	Pad, Right Side 29
157992	Bracket 8	165168	Key 17	178941	Pad, Shelf 29
157993	Bracket 8	165668	Modification Kit 11	178942	Pad, Left Side 29
157999	Bracket 11	173097**	Modification Kit 25	178943	Pad, Right Side 29
158250	Block, Terminal 17	173206**	Bracket, Left Shelf 25	178944	Panel, Shelf 29
158252	Insulator (1-6) 17	173207**	Shelf, Left 25	179276	Bracket, Fuse 29
158492	Cable Assembly 13	173238	Modification Kit 18	179993	Screw, Shoulder (10-32) 6
158493	Cable Assembly 13	173256	Cable Assembly 18	192286	Nut, Speed 11
158494	Bracket 13	173400**	Modification Kit 7	194431**	Tray 30
159274	Cable Assembly 11	173861	Cart 30	194432**	Panel 30
159275	Transformer Assembly 11	173974	Screw (10-32 x 5/16 Hex) 17	194433**	Table 30
159357	Modification Kit 11			195848	Bracket, Nylon 11
159373	Modification Kit 22	174458	Modification Kit 18	195979	Bracket, Copy Lamp 11
159375	Modification Kit 14	176667	Spacer 20	306019	Bumper, Rubber 30
159390	Modification Kit 22	176668	Bracket 20		
160224	Modification Kit 16				
160225	Cable Assembly 16				
160282	Bracket 22				

**Refer to Page 1 for Finish Suffix

28 SKINTIGHT COVER (LPC)

KSR/RO

PARTS

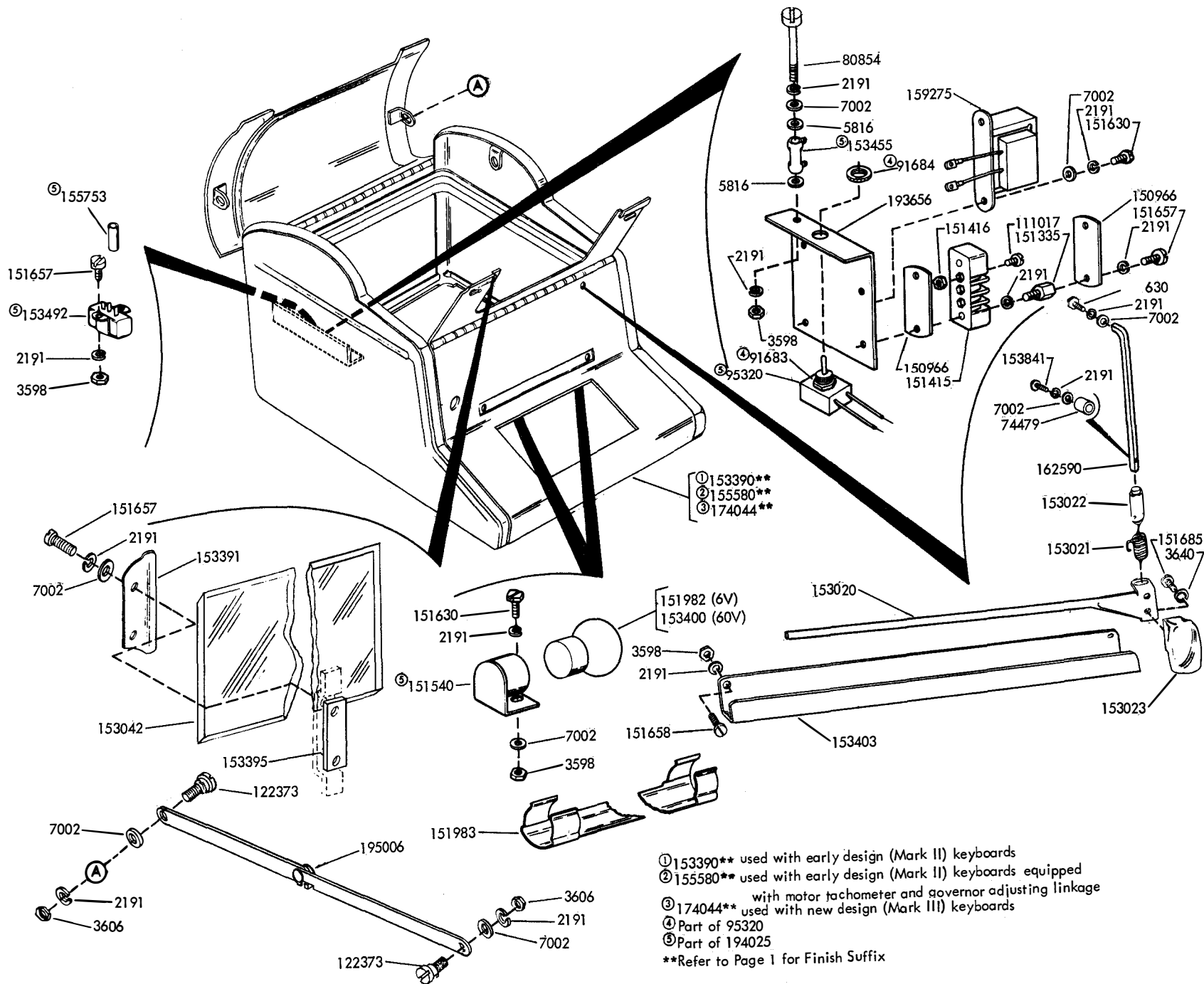
PAINT FINISH COLOR CODE CHART									
(for parts and assemblies requiring a paint finish)									
Color	Finish Suffixes				Color	Finish Suffixes			
	Wrinkle Finish	Smooth Finish	Textured Vinyl	Smooth Vinyl		Wrinkle Finish	Smooth Finish	Textured Vinyl	Smooth Vinyl
Black	AA (37)	BB			Brussels Light Blue		EC		
Dark Brown	AD (38)				Medium Blue		ES		
Gray Green	AB (40)	BK	GA (45)		Cherry Red		EF		
Charcoal Gray	AL	BZ		HA	Pastel Yellow		EG		
Dark Gray			GB		White		EH		
Light Gray		EJ		HB (68)	Ivory		EM		
Beige Gray			GC		Beige		ET		
Light Beige		EL		HC	Rose Beige		ER		
Moss Green		EN		HD	Rose Pink		EU		
Eye Rest Green		EA			Dark Covert Gray				HE
Turquoise		EV			Light Olive Gray		EW	GE	HF (46)
Aqua Blue		EK			Fawn				HG

The double asterisk (**) denotes a painted part. Suffix to be applied following the part number. Number in parenthesis indicate Bell System code.

FIGURE	CONTENTS	Page
1	Send-Receive Skintight Cover (Rack Mounted)	3
2	Send-Receive Skintight Cover (Rack Mounted)	4
3	Send-Receive or Receive-Only Skintight Cover	5
4	Send-Receive or Receive Only Skintight Cover (Continued)	6
5	Cable Components	7
6	Base Plate and Electrical Service Unit Cover	8
7	Variable Features for Send-Receive Skintight Cover	9
8	164345** Modification Kit to Provide Auxiliary Terminal Blocks	10
9	195598 (3-1/4" to 5-1/2") and 195599 (5-1/4" to 8-1/2") Modification Kits to Provide Adjustable Stripper Form Guide	11
10	194321 Modification Kit to Provide a Rear Paper Guide on Units Equipped with an Electrical Service Unit Cover	12
	Numerical Index	13

**See chart on page 1 for color suffix

FIGURE 1. SEND-RECEIVE SKINTIGHT COVER (RACK MOUNTED)



① 153390** used with early design (Mark II) keyboards
 ② 155580** used with early design (Mark II) keyboards equipped with motor tachometer and governor adjusting linkage
 ③ 174044** used with new design (Mark III) keyboards
 ④ Part of 95320
 ⑤ Part of 194025
 **Refer to Page 1 for Finish Suffix

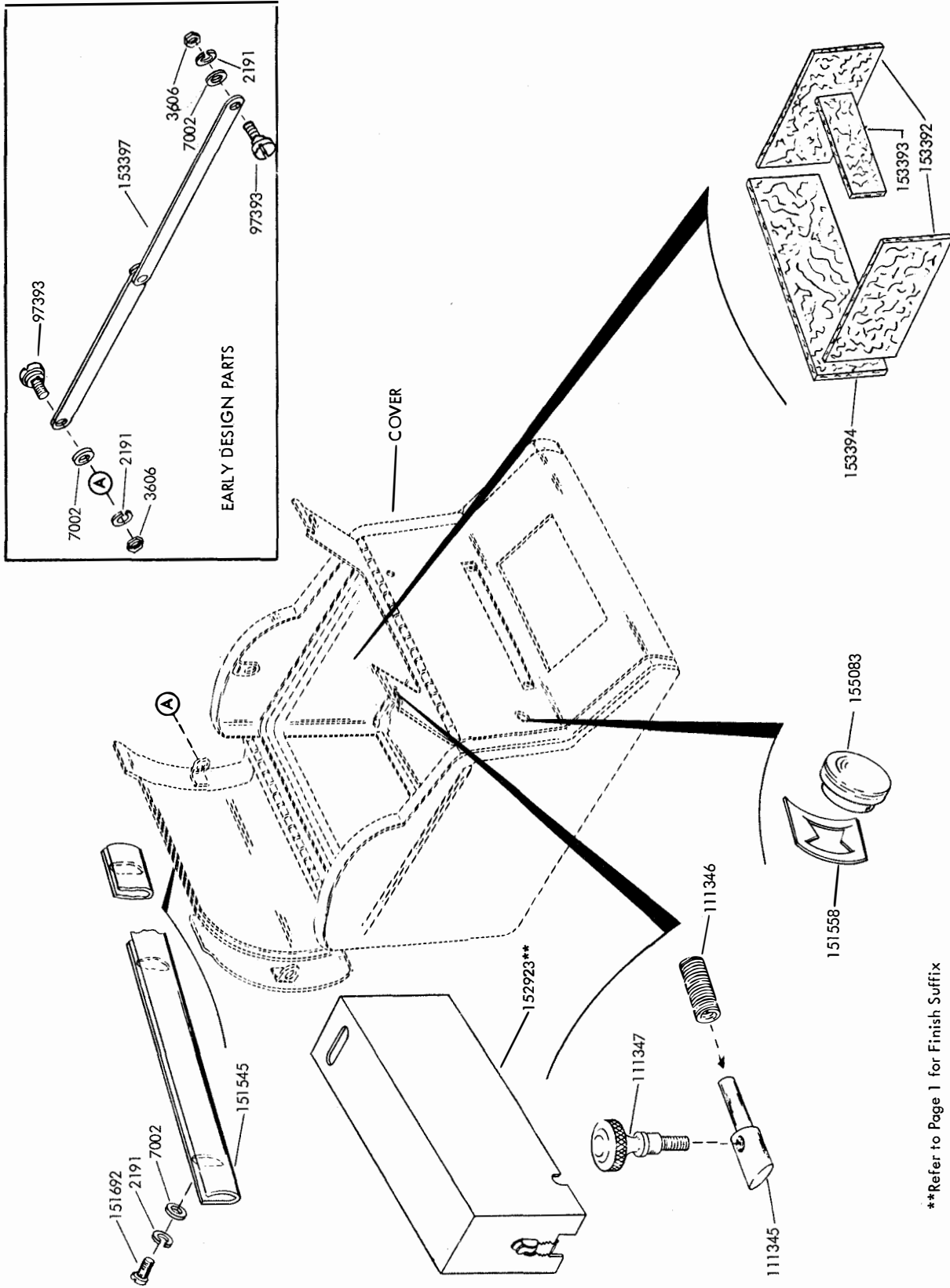


FIGURE 2. SEND-RECEIVE SKINTIGHT COVER (RACK MOUNTED)

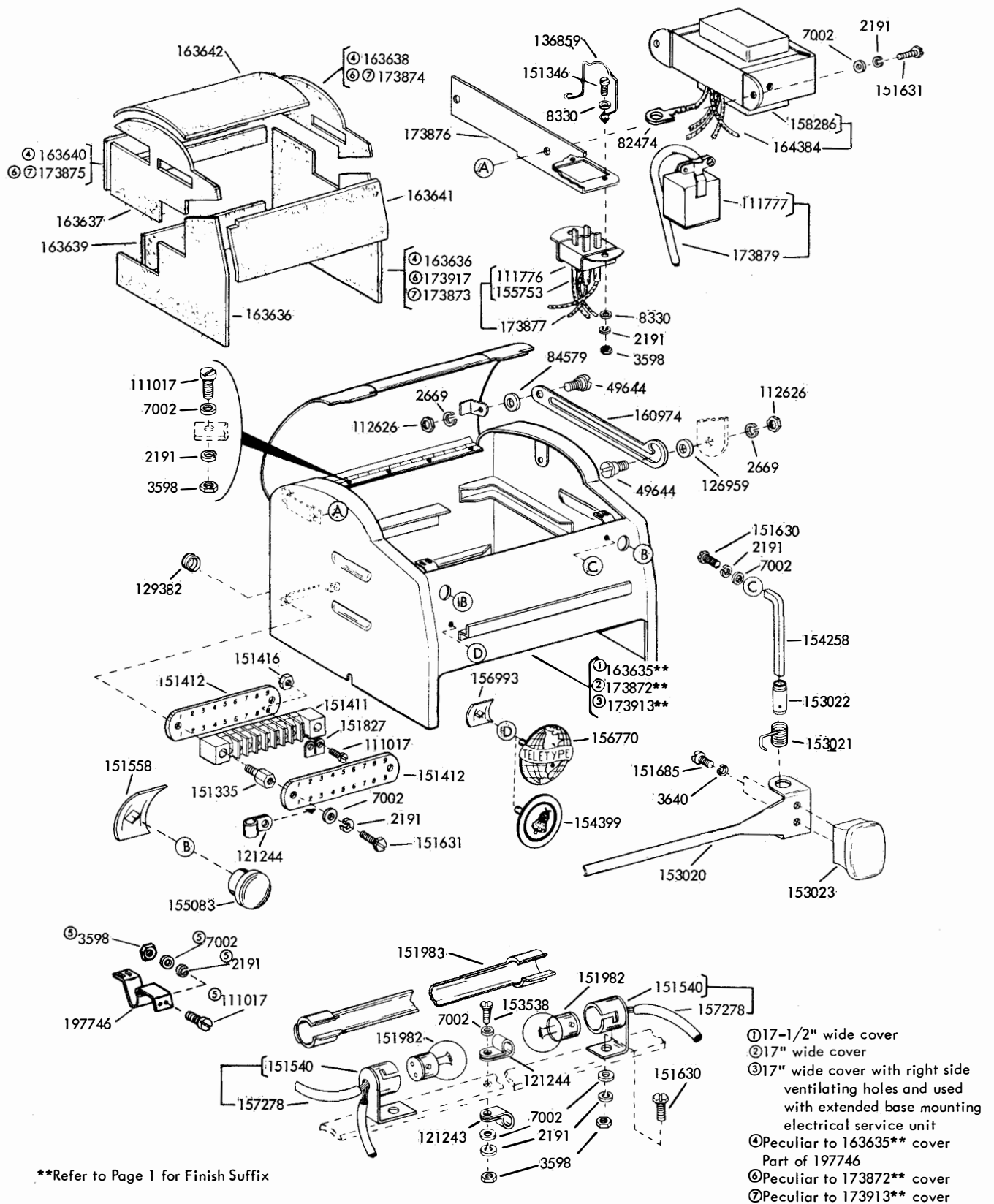
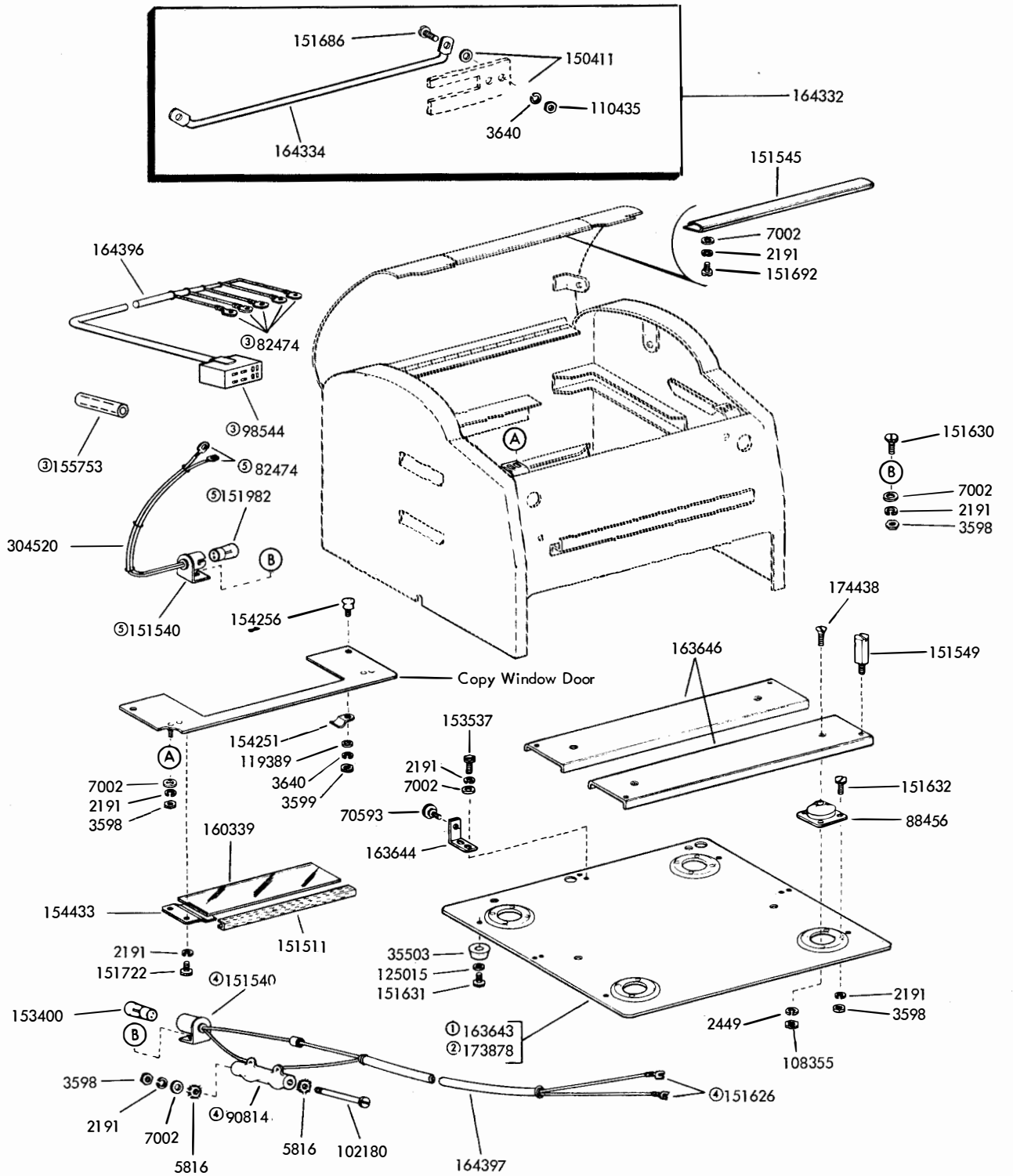


FIGURE 3. SEND-RECEIVE OR RECEIVE-ONLY SKINTIGHT COVER



- ① Peculiar to 17-1/2" wide covers
- ② Peculiar to 17" wide cover without extended base plate
- ③ Part of 164396
- ④ Part of 164397
- ⑤ Part of 304520

FIGURE 4. SEND-RECEIVE OR RECEIVE-ONLY SKINTIGHT COVER (Continued)

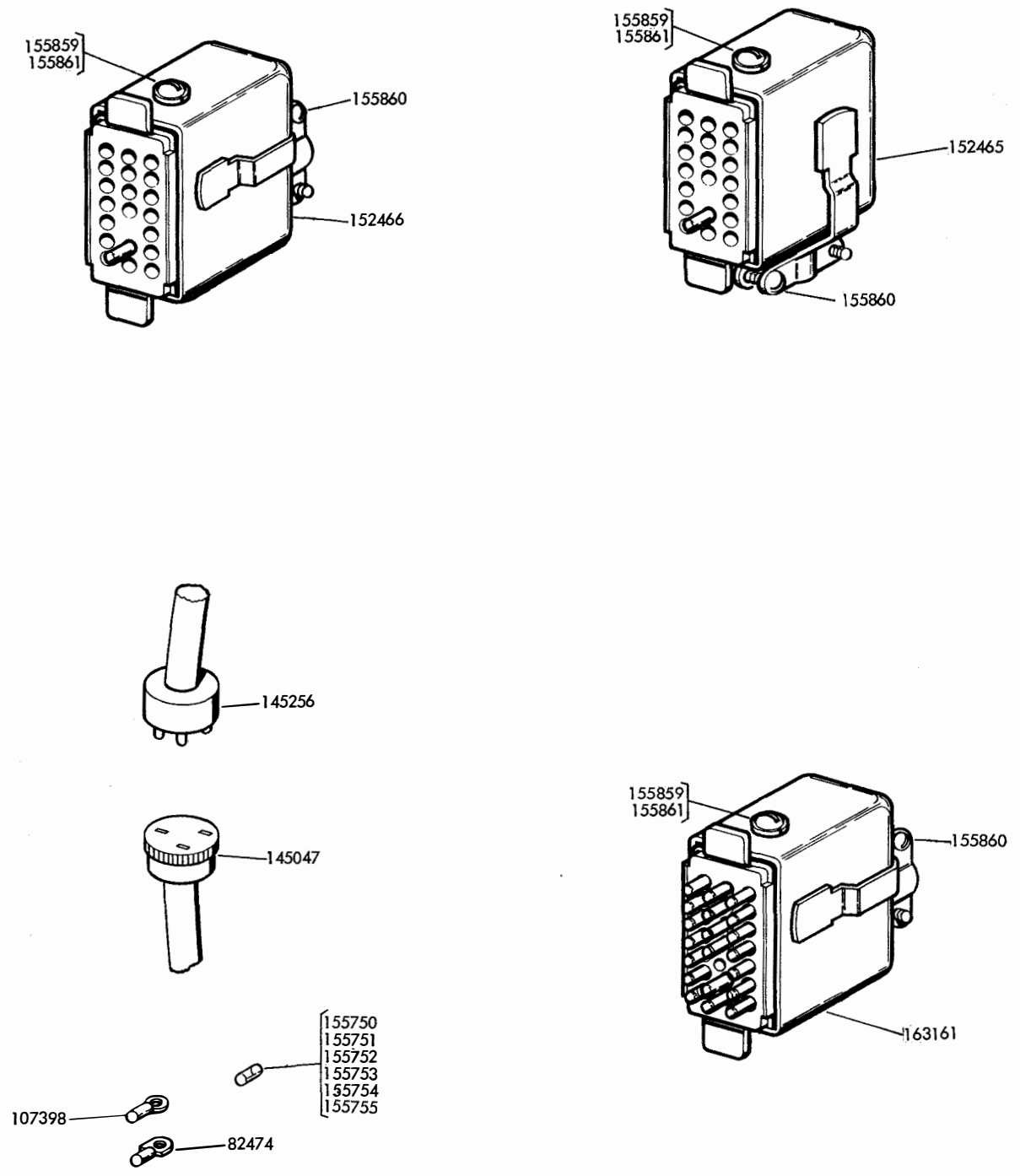
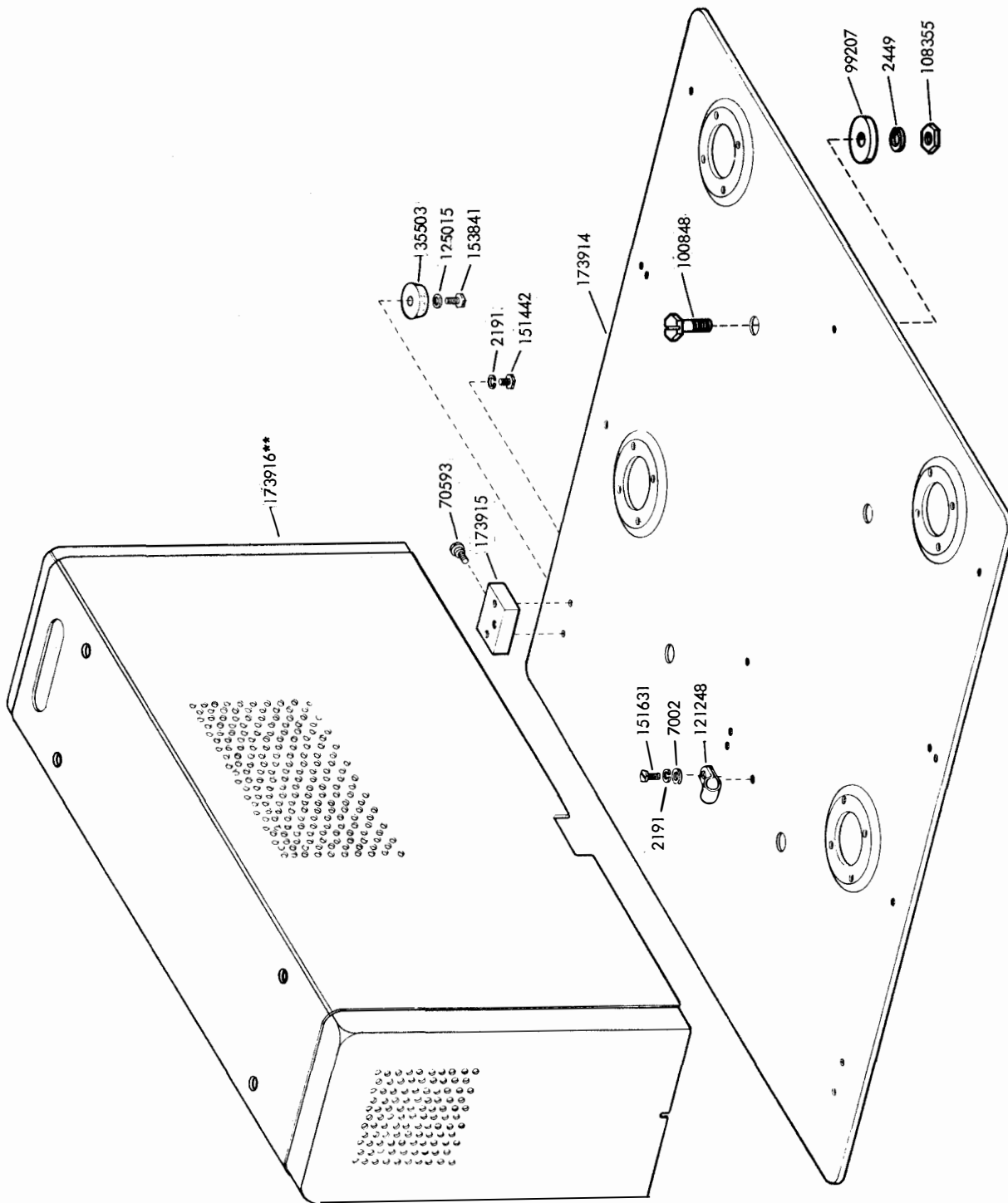
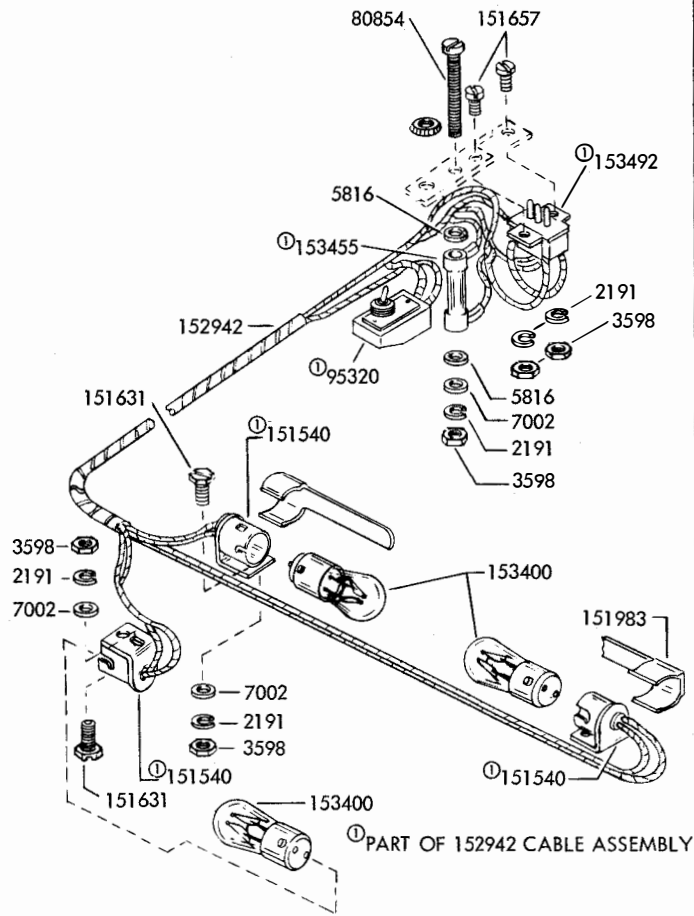


FIGURE 5. CABLE COMPONENTS

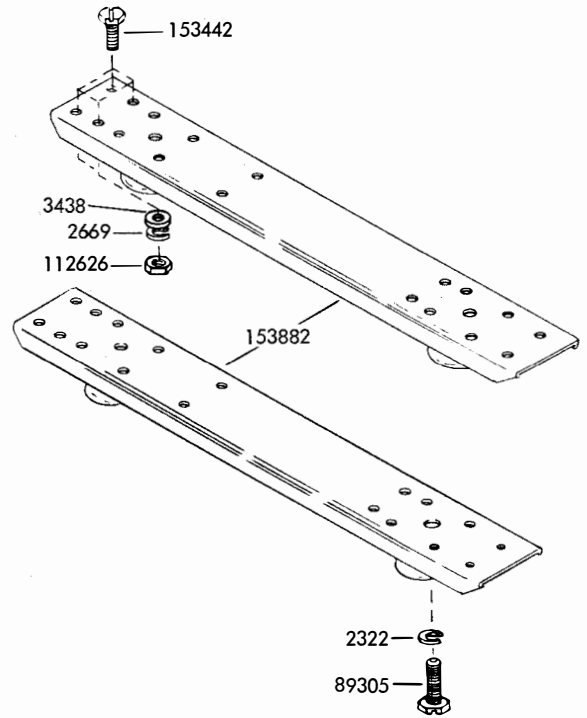


**Refer to Page 1 for Finish Suffix

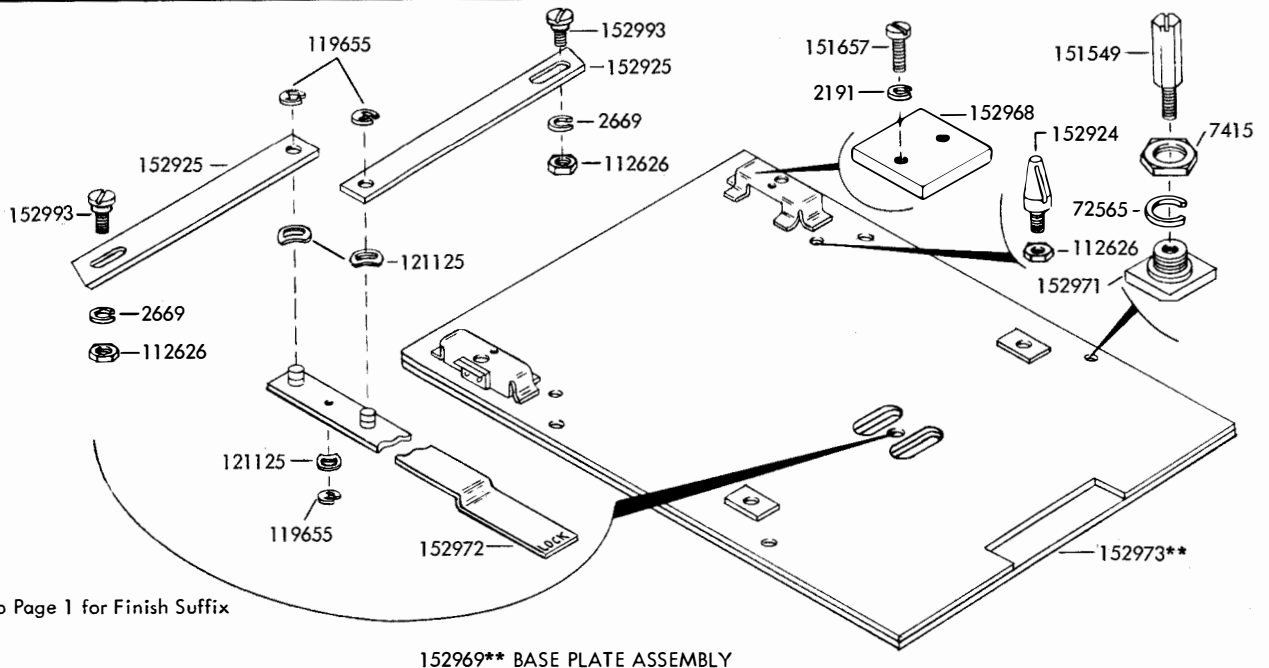
FIGURE 6. BASE PLATE AND ELECTRICAL SERVICE UNIT COVER



152314 MODIFICATION KIT TO PROVIDE COPY AND MARGIN LAMPS



152313 MODIFICATION KIT TO PROVIDE SHOCK MOUNTS



**Refer to Page 1 for Finish Suffix

152969** BASE PLATE ASSEMBLY

FIGURE 7. VARIABLE FEATURES FOR SEND-RECEIVE SKINTIGHT COVER

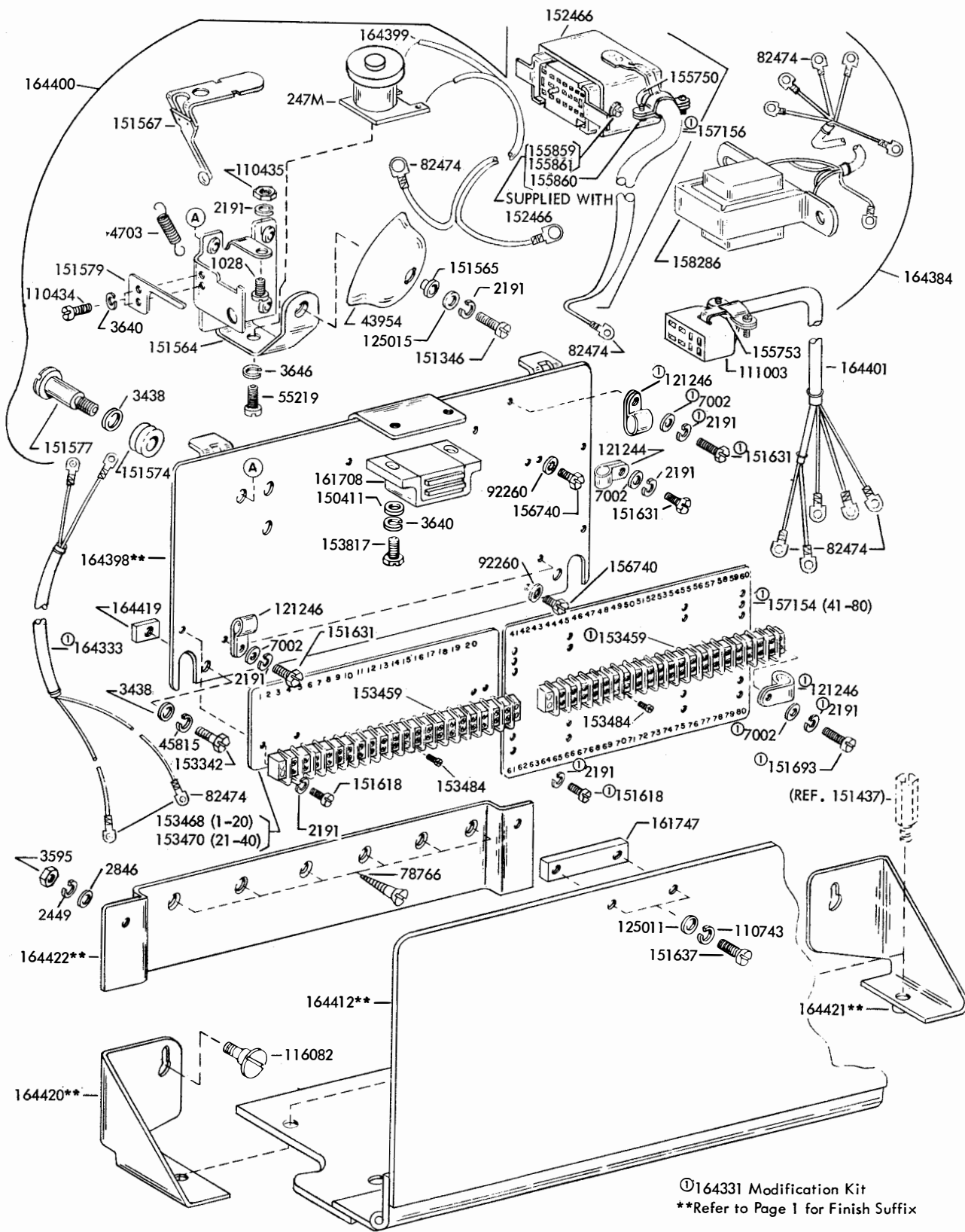


FIGURE 8. 164345** MODIFICATION KIT TO PROVIDE AUXILIARY TERMINAL BLOCKS

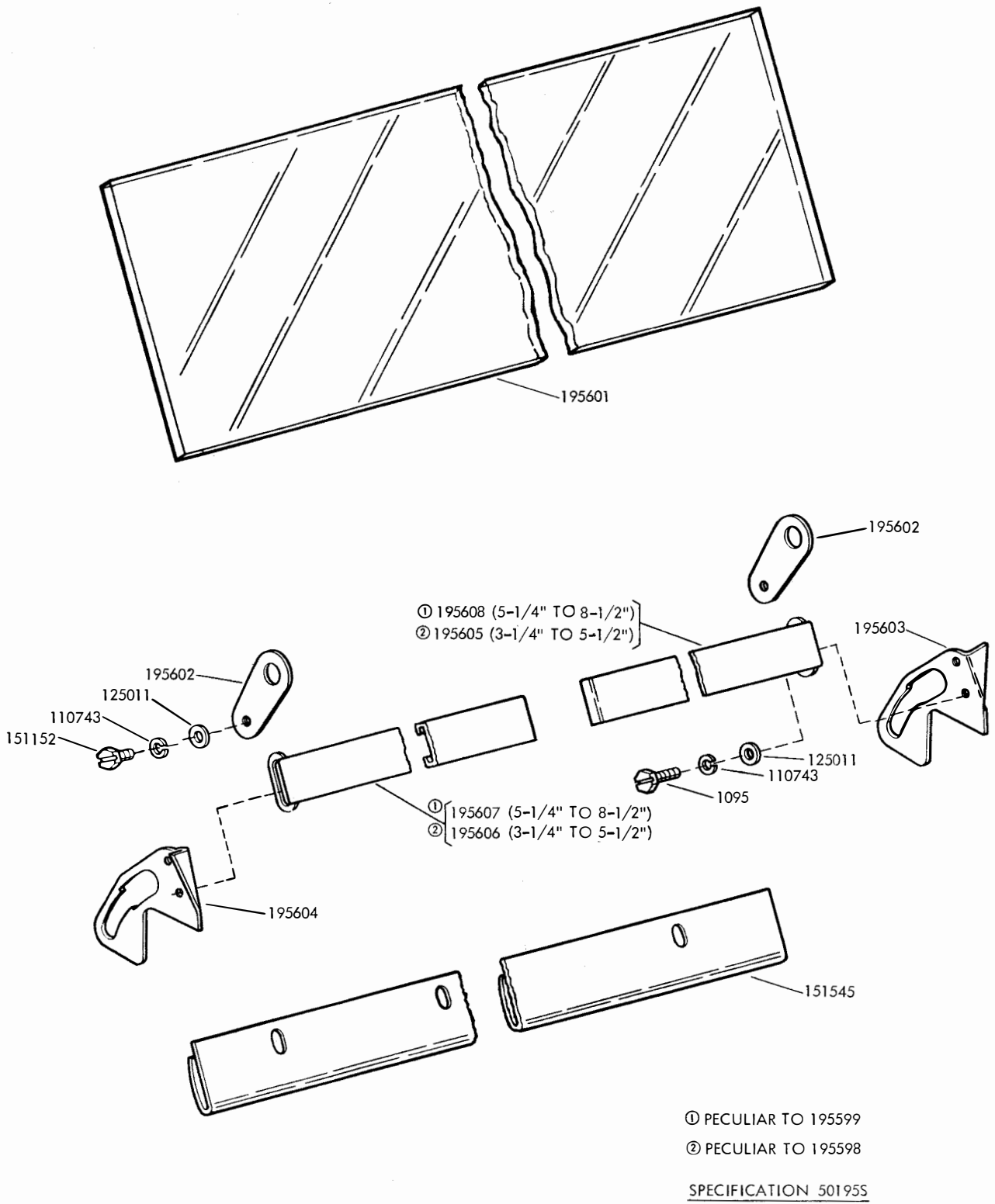
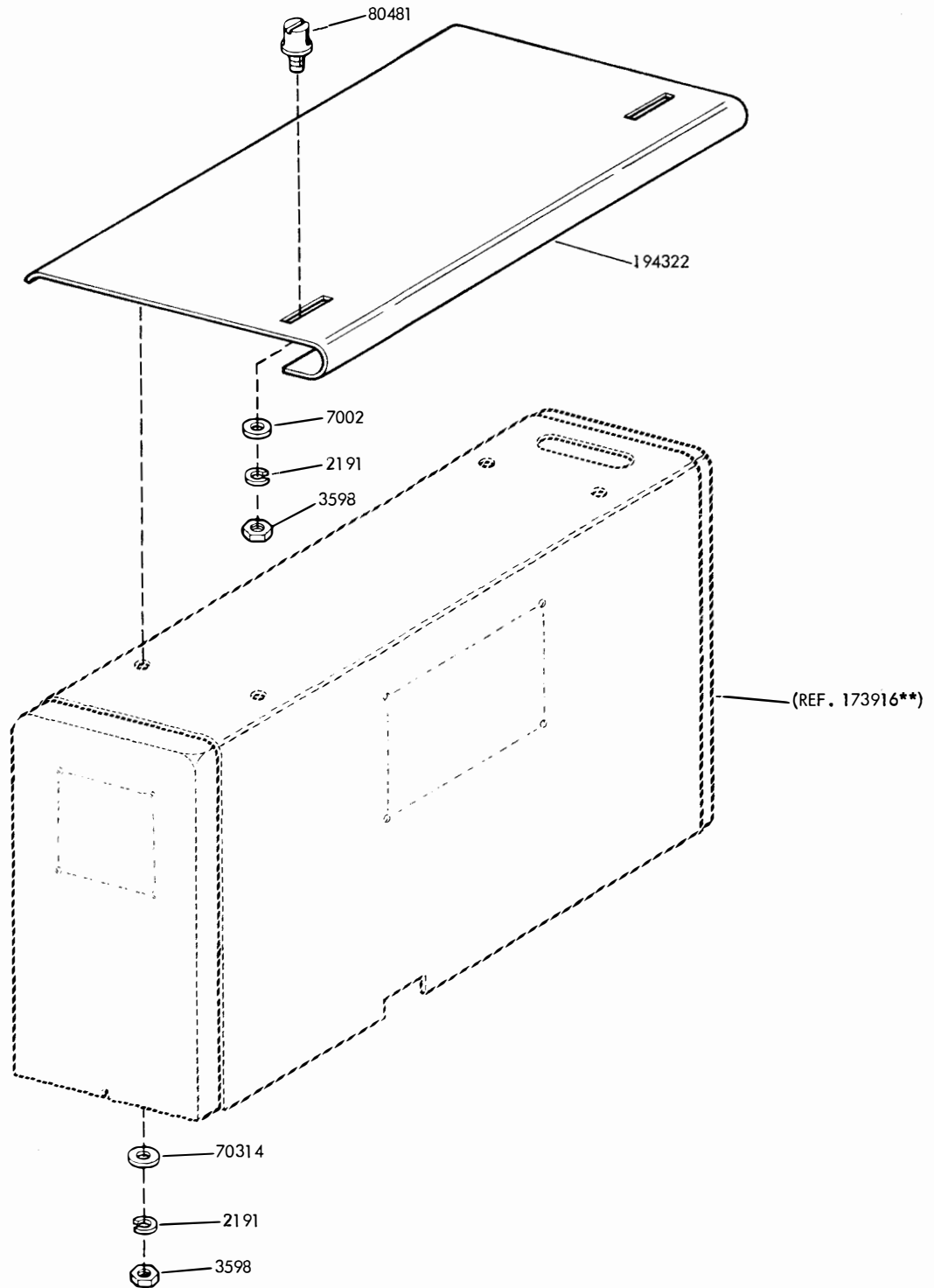


FIGURE 9. 195598 (3-1/4" to 5-1/2") and 195599 (5-1/4" to 8-1/2") MODIFICATION KITS TO PROVIDE ADJUSTABLE STRIPPER FORM GUIDE



Specification 50149S

FIGURE 10. 194321 MODIFICATION KIT TO PROVIDE A REAR PAPER GUIDE ON UNITS EQUIPPED WITH AN ELECTRICAL SERVICE UNIT COVER

NUMERICAL INDEX

Part Number	Description and Page Number	Part Number	Description and Page Number	Part Number	Description and Page Number
247M	Coil, Magnet 10	125011	Washer, Flat 10, 11	153391	Plate, Clamp 3
1028	Screw (4-40 x 1/4 Fil) 10	125015	Washer, Flat 6, 8, 10	153392	Pad, Side 4
1095	Screw (4-40 x 5/32 Hex) 11	126959	Washer, Flat 5	153393	Pad, Front 4
2191	Washer, Lock 3 to 6, 8 to 10, 12	129382	Grommet, Rubber 5	153394	Pad, Rear 4
2322	Washer, Lock 9	136859	Holder 5	153395	Plate, Nut 3
2449	Washer, Lock 6, 8, 9, 10	145047	Connector, Receptacle (3 Pt) 7	153397	Arm, Cover 4
2669	Washer, Lock 5, 9	145256	Connector, Plug (3 Pt) 7	153400	Lamp, Incandescent (60 V) 3, 6, 9
2846	Washer, Flat 10	150411	Washer, Flat 6, 10	153403	Tray 3
3438	Washer, Flat 9, 10	150966	Insulator (1-4) 3	153442	Screw (10-32 x 1/2 Hex) 9
3595	Nut (1/4-32 Hex) 10	151152	Screw (4-40 x 3/16 Hex) 11	153455	Resistor (600 Ohm) 3, 9
3598	Nut (6-40 Hex) 3, 5, 6, 9, 12	151335	Stud 3, 5	153459	Block, Terminal 10
3599	Nut (4-40 Hex) 6	151346	Screw (6-40 x 3/8 Fil) 5, 10	153468	Insulator (1-20) 10
3606	Nut (6-40 Hex) 3, 4	151411	Block, Terminal 5	153470	Insulator (21-40) 10
3640	Washer, Lock 3, 5, 6, 10	151412	Insulator (1-9) 5	153484	Screw (6-32 Spl) 10
3646	Washer, Lock 10	151415	Block, Terminal 3	153492	Connector, Plug (3 Pt) 3, 9
4703	Spring 10	151416	Nut (6-40 Hex) 3, 5	153537	Screw (6-40 x 9/32 Hex) 6
5816	Washer, Insulating 3, 6, 9	151442	Screw (6-40 x 1/2 Hex) 8	153538	Screw (6-40 x 7/16 Hex) 5
7002	Washer, Flat 3 to 6, 8, 9, 10, 12	151511	Gasket 6	153817	Screw (4-40 x 3/8 Hex) 10
7415	Nut (1/2-32 Hex) 9	151540	Lampholder 3, 5, 6, 9	153841	Screw (6-40 x 9/16 Hex) 3, 8
8330	Washer, Flat 5	151545	Guide, Paper 4, 6, 11	153882	Mount, Vibration 9
35503	Foot, Rubber 6, 8	151549	Post 6, 9	154251	Latch 6
43954	Bell 10	151558	Nut, Speed 4, 5	154256	Screw, Thumb (4-40) 6
45815	Washer, Lock 10	151564	Bracket 10	154258	Shaft 5
49644	Screw, Shoulder (10-32) 5	151565	Bushing, Shoulder 10	154399	Plate, Identification (Bell) 5
55219	Screw (8-32 x 3/8 Fil) 10	151567	Armature W/Clapper 10	154433	Clamp 6
70314	Washer, Flat 12	151574	Grommet, Rubber 10	155083	Lens, Red Indicator Light 4, 5
70593	Screw, Thumb (6-40) 6, 8	151577	Screw, Shoulder (6-40) 10	155580**	Cover 3
72565	Washer, Lock 9	151579	Plate, Retaining 10	155750	Sleeve, Insulating (3/32 ID x 1/2" Lg) 7, 10
74479	Bushing 3	151618	Screw (6-40 x 7/16 Fil) 10	155752	Sleeve, Insulating (5/64 ID x 1/2" Lg) 7
78766	Screw, Wood (#7 x 5/8) 10	151626	Terminal 6	155753	Sleeve, Insulating (1/8 ID x 1/2" Lg) 3, 5, 6, 7, 10
80481	Screw (6-40 Spl) 12	151630	Screw (6-40 x 1/4 Hex) 3, 5, 6	155754	Sleeve, Insulating (1/16 ID x 1/2" Lg) 7
80854	Screw (6-40 x 1-7/8 Fil) 3, 9	151631	Screw (6-40 x 5/16 Hex) 5, 6, 8, 9, 10	155755	Sleeve, Insulating (11/64 ID x 5/8" Lg) 6, 7
82474	Terminal 5, 6, 7, 10	151632	Screw (6-40 x 3/8 Hex) 6	155859	Screw (4-40 Spl) 7, 10
84579	Washer, Flat 5	151637	Screw (4-40 x 1/4 Fil) 10	155860	Screw (4-40 x 3/8 Rd) 7, 10
88456	Mount, Vibration 6	151657	Screw (6-40 x 1/4 Fil) 3, 9	155861	Washer, Lock 7, 10
89305	Screw (1/4-20 x 3/4 Hex) 9	151658	Screw (6-40 x 5/16 Fil) 3	156740	Screw (6-40 x 7/32 Hex) 10
90814	Resistor (1000 Ohm) 6	151685	Screw (4-40 x 5/16 Fil) 3, 5	156770	Plate, Identification (Teletype) 5
91683	Nut (15/32-32 Hex) 3	151686	Screw (4-40 x 3/8 Fil) 6	156993	Nut, Speed 5
91684	Nut (15/32-32 Hex) 3	151692	Screw (6-40 x 3/16 Fil) 4, 6	157154	Insulator (41-80) 10
92260	Washer, Lock 10	151693	Screw (6-40 x 9/16 Fil) 10	157156	Cable Assembly 10
95320	Switch, Toggle (SP-ST) 3, 9	151722	Screw (6-40 x 3/16 Hex) 6	157278	Cable Assembly 5
97393	Screw, Shoulder (6-40) 4	151827	Strap, Terminal 5	158286	Transformer 5, 10
98544	Connector, Plug (8 Pt) 6	151982	Lamp, Incandescent (6V) 3, 5, 6	159275	Transformer Assembly 3
99207	Spacer 8	151983	Shield 3, 5, 9	160339	Window, Glass 6
100848	Screw (1/4-20 x 1 Hex) 8	152313	Modification Kit 9	160974	Arm, Stop 5
102180	Screw (6-40 x 1-15/16 Fil) 6	152314	Modification Kit 9	161708	Latch, Magnetic 10
107398	Terminal 7	152465	Connector, Receptacle (20 Pt) 7	161747	Plate, Nut 10
108355	Nut (1/4-20 Hex) 6, 8	152466	Connector, Receptacle (20 Pt) 7, 10	162590	Shaft 3
110435	Nut (4-40 Hex) 6, 10	152923**	Cover 4	163161	Connector, Plug (20 Pt) 7
110743	Washer, Lock 10, 11	152924	Stud 9	163635**	Cover 5
111003	Connector, Receptacle (8 Pt) 10	152925	Latch 9	163636	Pad, Lower Side 5
111017	Screw (6-40 x 5/16 Fil) 3, 5	152942	Cable Assembly 9	163637	Pad, Upper Left Side 5
111345	Bolt 4	152968	Plate 9	163638	Pad, Upper Right Side 5
111346	Spring 4	152969**	Plate Assembly, Base 9	163639	Pad, Rear Bottom 5
111347	Screw, Thumb (6-40) 4	152971	Bushing 9	163640	Pad, Rear Upper 5
111776	Connector, Plug (4 Pt) 5	152972	Handle W/Studs 9	163641	Pad, Front 5
111777	Connector, Receptacle (4 Pt) 5	152973**	Plate 9	163642	Pad, Lid 5
112626	Nut (10-32 Hex) 5, 9	152993	Screw, Shoulder (10-32) 9	163643	Plate, Base 6
116082	Screw, Shoulder (1/4-32) 10	153020	Guide, Line 3, 5	163644	Bracket 6
119389	Washer, Flat 6	153021	Spring, Torsion 3, 5		
119655	Ring, Retaining 9	153022	Bushing 3, 5		
121125	Washer, Spring 9	153023	Handle 3, 5		
121243	Clamp, Cable (3/16" ID) 5	153042	Window, Plastic 3		
121244	Clamp, Cable (1/4" ID) 5, 10	153342	Screw (6-40 x 15/16 Hex) 10		
121246	Clamp, Cable (3/8" ID) 10	153390**	Cover 3		
121248	Clamp, Cable (1/2" ID) 8				
122373	Screw, Shoulder (6-40) 3				

**Refer to Page 1 for Finish Suffix

NUMERICAL INDEX (Continued)

Part Number	Description and Page Number	Part Number	Description and Page Number	Part Number	Description and Page Number
163646	Rail, Base 6	164419	Plate, Nut 10	174438	Screw (1/4-20 Spl) 6
164331	Modification Kit to Provide Terminal Blocks and Cables for Selective Calling 10	164420**	Bracket, Left Mounting 10	193656	Bracket, Mounting 3
164332	Modification Kit to Adapt a Cover to Accommodate Superfold Form Stationery 6	164421**	Bracket, Right Mounting 10	194025	Cable Assembly 3
164333	Cable 10	164422**	Bracket, Mounting 10	194321	Modification Kit 12
164334	Bar, Paper Guide 6	173872**	Cover 5	194322	Guide, Paper 12
164345**	Modification Kit 10	173873	Pad, Lower Right Side 5	195006	Arm, Stop 3
164384	Cable Assembly 5, 10	173874	Pad, Upper Right Side 5	195598	Modification Kit 11
164396	Cable Assembly 6	173875	Pad, Upper Rear 5	195599	Modification Kit 11
164397	Cable Assembly 6	173876	Bracket, Connector 5	195601	Window 11
164398**	Plate 10	173877	Cable Assembly 5	195602	Plate, Bearing 11
164399	Cable 10	173878	Plate, Base 6	195603	Arm, Right Stripper 11
164400	Bell Assembly, Signal 10	173879	Cable Assembly 5	195604	Arm, Left Stripper 11
164401	Cable Assembly 10	173913**	Cover 5	195605	Guide, Right Form 11
164412**	Cover 10	173914	Plate, Base 8	195606	Guide, Left Form 11
		173915	Block, Mounting 8	195607	Guide, Left Form 11
		173916**	Cover 8	195608	Guide, Right Form 11
		173917	Pad, Lower Right Side 5	197746	Hinge Assembly 5
		174044**	Cover 3	304520	Cable Assembly 6

**Refer to Page 1 for Finish Suffix

28 APPARATUS CABINET (LBAC) FOR MULTIPLE MOUNTED PAGE PRINTERS

PARTS

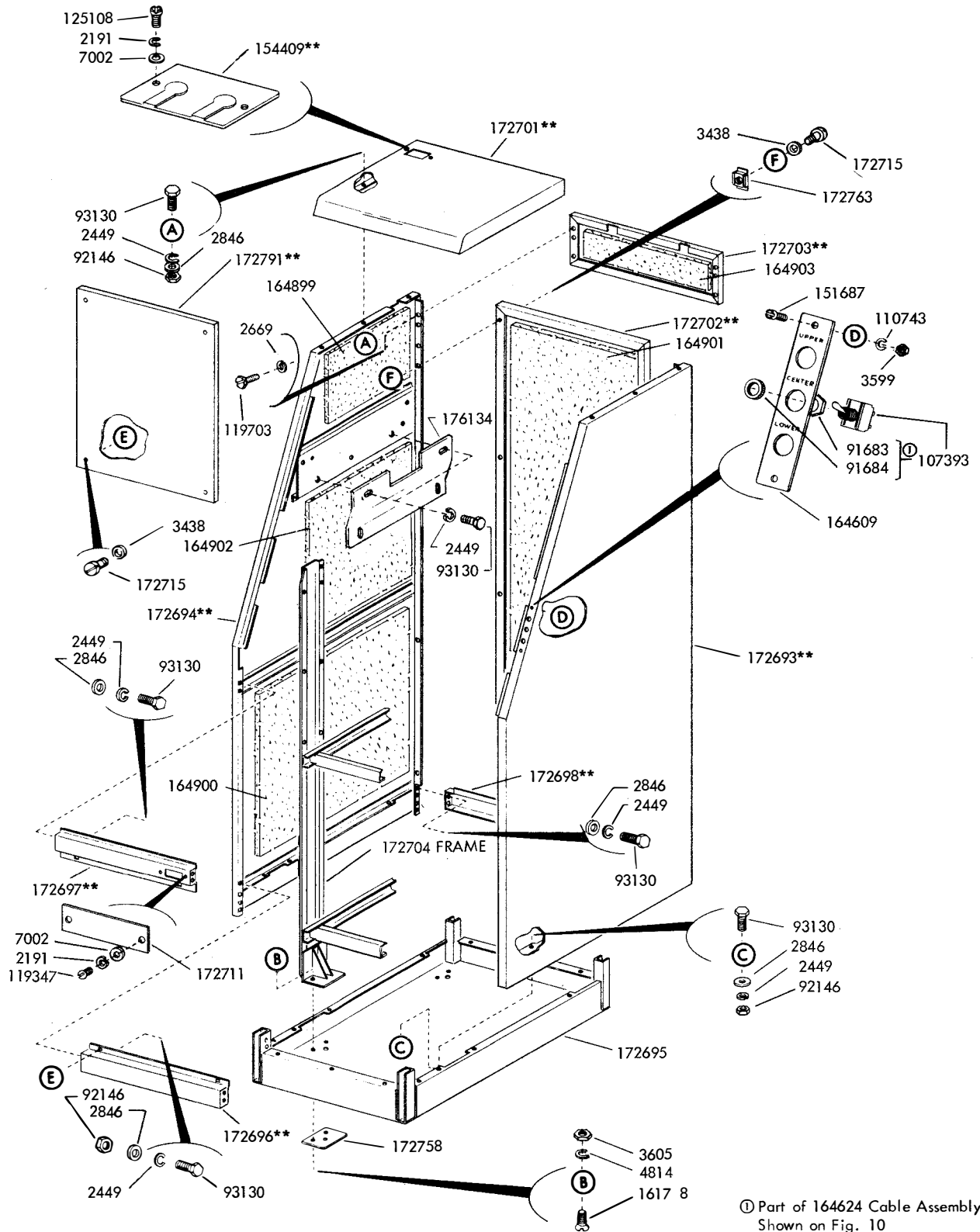
PAINT FINISH COLOR CODE CHART (for parts and assemblies requiring a paint finish)									
Color	Finish Suffixes				Color	Finish Suffixes			
	Wrinkle Finish	Smooth Finish	Textured Vinyl	Smooth Vinyl		Wrinkle Finish	Smooth Finish	Textured Vinyl	Smooth Vinyl
Beige		ET			Gray, Federal		BV	GG	
Beige, Light		EL		HC	Gray, Green	AB (40)	BK	GA (45)	
Beige, Rose		ER			Gray, Light		EJ		HB (68)
Black	AA (37)				Gray, Covert				HE
Black, High Gloss		BA (34)			Gray, Olive		EW	GE	HF (46)
Black, Semi Gloss		BB			Gray, Maritime Deck	AJ	BJ		
Blue, Aqua		EK			Gray, Oxford		EP		
Blue, Brussels Light		EC			Green, Gray	AB (40)	BK	GA (45)	
Blue, Medium		ES			Green, Moss		EN		HD
Brown, Dark	AD (38)			HG	Ivory		EM		
Brown, Light	AC (39)				Pink, Rose		EU		
Fawn					Turquoise		EV		
Gray, Beige			GC		White		EH		
Gray, Charcoal	AL	BZ	GF	HA	Yellow, Pastel		EG		
Gray, Dark			GB						
Gray, Navy Light		BR							

The double asterisk (**) denotes a painted part. Suffix to be applied following the part number. Number in parentheses indicates Bell System code.

SECTION 573-136-803TC

FIGURE	CONTENTS	PAGE	FIGURE	CONTENTS	PAGE
1	Cabinet Body	3	41	311229 Electrical Service Panel Assembly	35
2	Cabinet Body	4	42	311229 Electrical Service Panel Assembly (Continued)	36
3	Channel Duct and Top Cover	5	43	193569 Selector Magnet Driver Mounting Assembly	37
4	Rear Doors	6	44	312698 Selector Magnet Driver Mounting Assembly	38
5	Channels	7	45	310084 Selector Magnet Driver Mounting Assembly	39
6	164088 Pan Assembly	8	46	162361 Rectifier Assembly	40
7	Door Arm Mechanism	9	47	312542 Rectifier Assembly	41
8	172700** Door Assembly	9	48	309863 Selector Magnet Driver Assembly	42
9	Relay Rack Frame	10	49	177010, 192669 and 194369 Selector Magnet Driver Assemblies	43
10	Terminal Blocks and Cable Connectors	10	50	170573 Rectifier Assembly	44
11	Base Plate	11	51	Cable Components	45
12	Base Plate	12	52	164925 Modification Kit: To Add Paper Winder	46
13	Receive-Only Base Plate	13	53	195921 and 195922 Modification Kits: To Add Paper Winding Facilities to Cabinets	47
14	Paper Winder Shelf for Send Receive Base	14	54	193941** Modification Kit: To Provide Ventillation for Cabinets	48
15	154224 and 164234 Intermediate Gear Assemblies	15	55	195540 Modification Kit: To Provide Static Eliminator to Neutralize Electrostatic Charge on Page Copy	49
16	151560 and 146437 Bell Assemblies	16	56	198310 Modification Kit: To Provide Facilities for Sprocket Feed Paper	50
17	Slide Mechanisms	17	57	198310 Modification Kit: To Provide Facilities for Sprocket Feed Paper (Continued)	51
18	Slide Mechanisms (Continued)	18	58	198310 Modification Kit: To Provide Facilities for Sprocket Feed Paper (Continued)	52
19	Send-Receive Keyboard Cover	18	59	179369 Modification Kit: To Provide Copy Display	53
20	Covers	19	60	194324 Modification Kit: To Provide Paper-Out Alarm	54
21	311267** Bottom Cover Assembly	19	61	145450 Modification Kit: To Provide Key and Lamp Assembly	55
22	Top and Middle Covers	20	62	145010 Modification Kit: To Provide Key and Lamp Assembly	55
23	Bottom Cover	20	63	145075 Modification Kit: To Provide Key and Lamp Assembly	56
24	Control Panel	21	64	145017 Rectifier-48 Volts D. C.	56
25	Keyboard Panel	21		Numerical Index	57
26	Fixed Control Panel (4 Printer Cabinet)	22			
27	Fixed Control Panel	22			
28	Fixed Control Panel	23			
29	Fixed Control Panel	23			
30	Control Panel	24			
31	145233** Control Panel Assembly	25			
32	144965, 311243 and 315797 Mounting Rack Assemblies	26			
33	145273, 145274 and 310231 Mounting Rack Assemblies	27			
34	193535 Connector Panel Assembly	28			
35	195394 Mounting Plate Assembly	29			
36	195395 Mounting Plate Assembly	30			
37	179373 Electrical Service Panel Assembly	31			
38	193568 and 310083 Electrical Service Panel Assemblies	32			
39	312696 Electrical Service Panel Assembly	33			
40	198306 Electrical Service Panel Assembly	34			

**Refer to Page 1 for Finish Suffix



① Part of 164624 Cable Assembly, Shown on Fig. 10
 **Refer to Page 1 for Finish Suffix

FIGURE 1. CABINET BODY

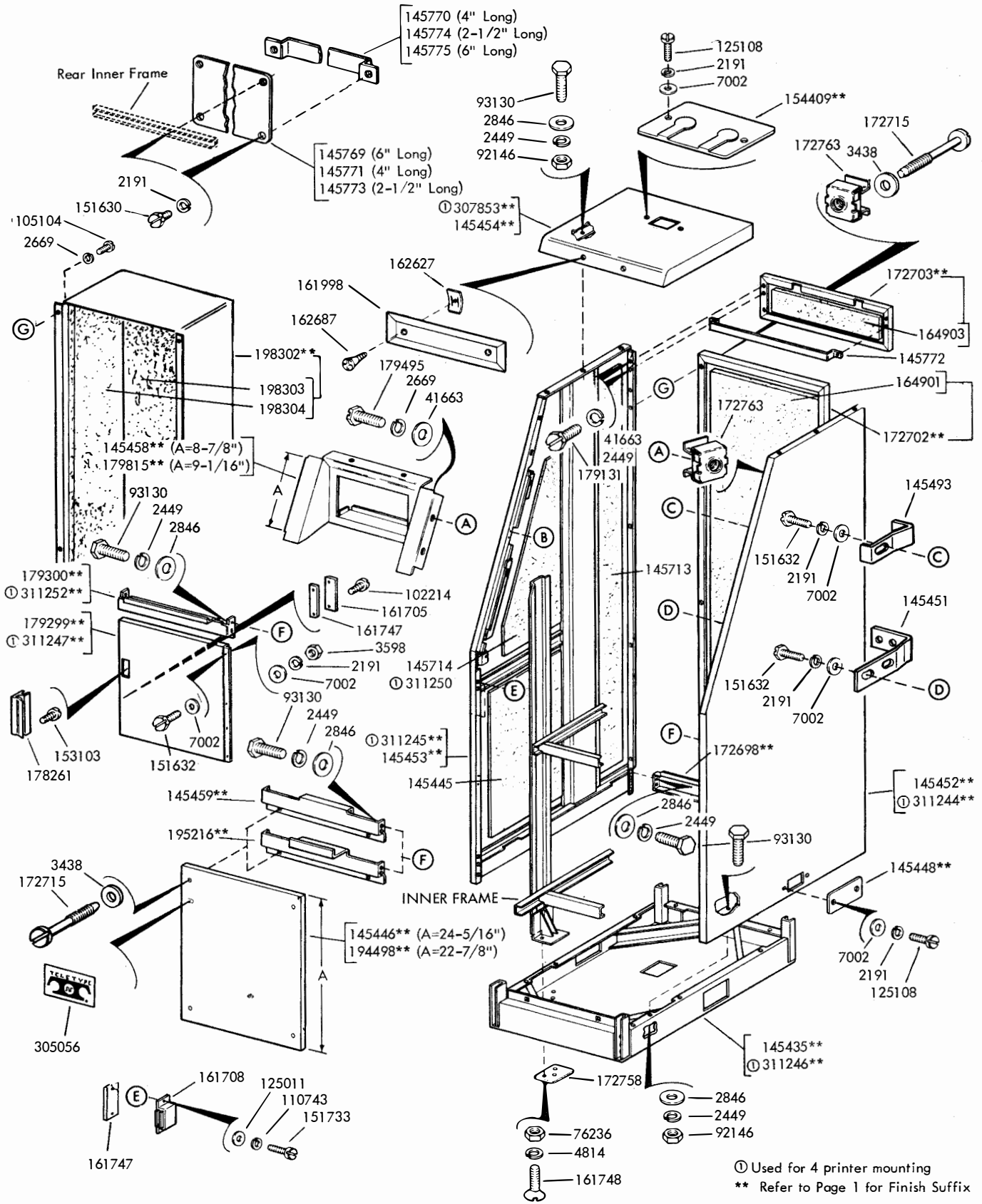
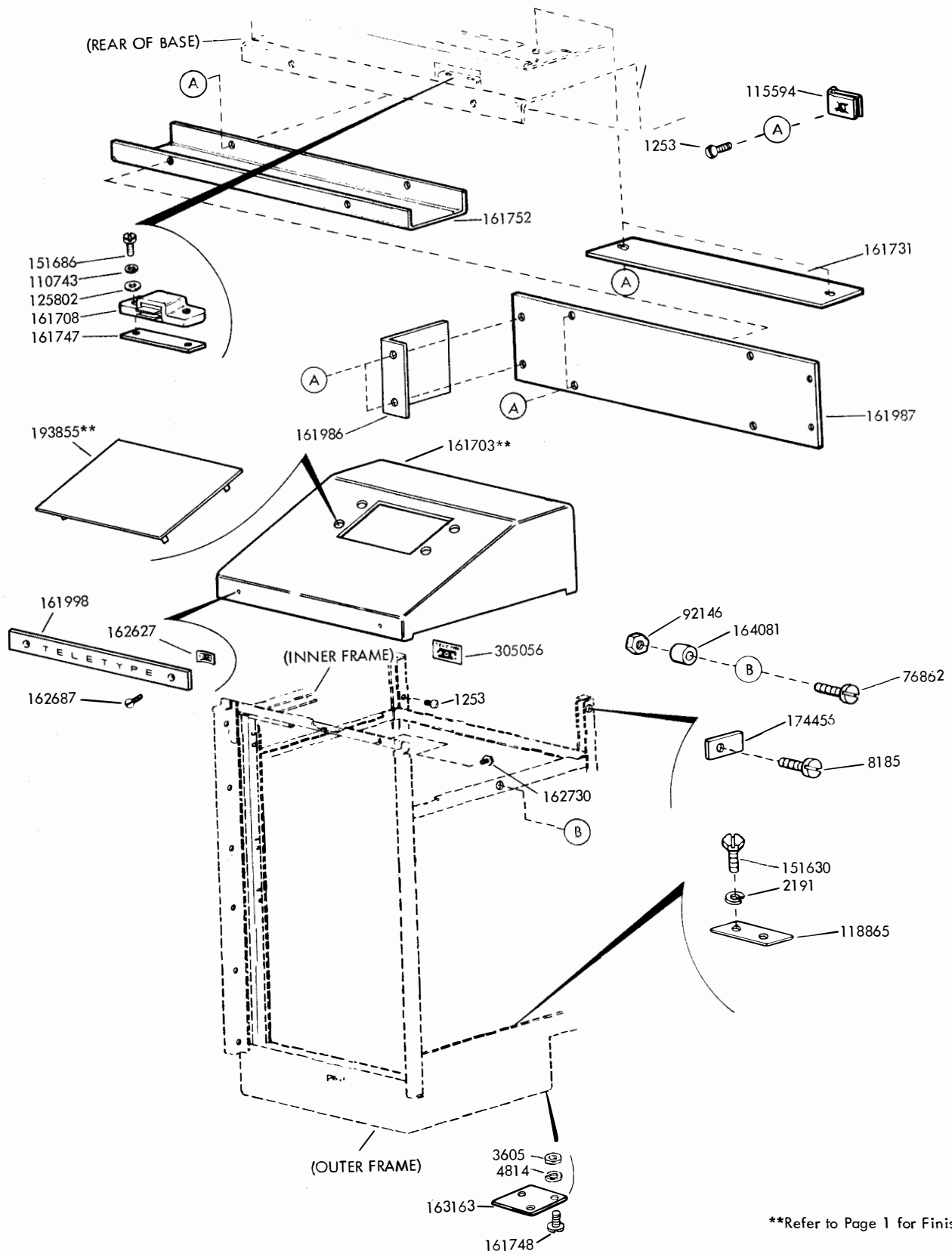
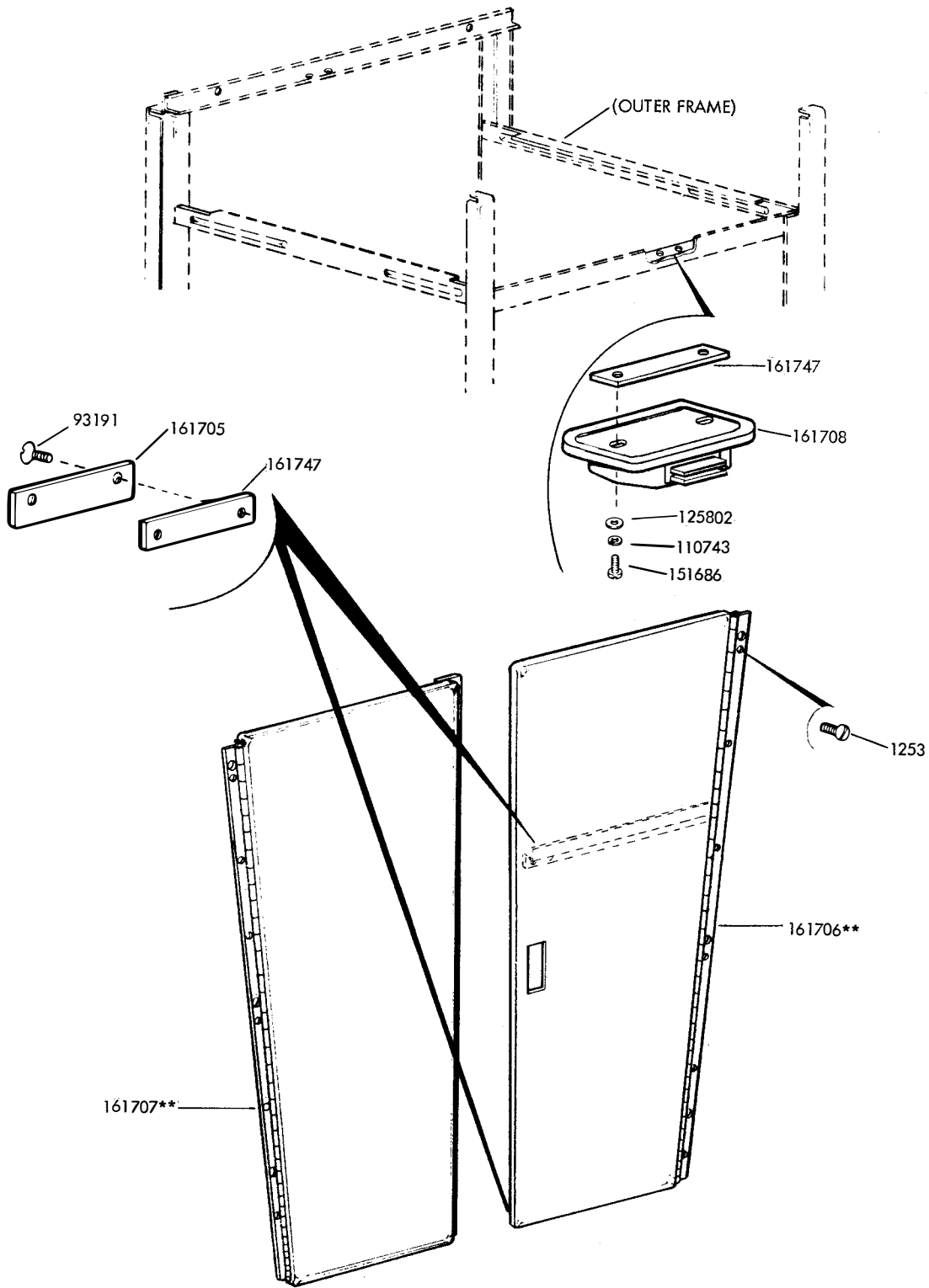


FIGURE 2. CABINET BODY



**Refer to Page 1 for Finish Suffix

FIGURE 3. CHANNEL DUCT AND TOP COVER



**Refer to Page 1 for Finish Suffix

FIGURE 4. REAR DOORS

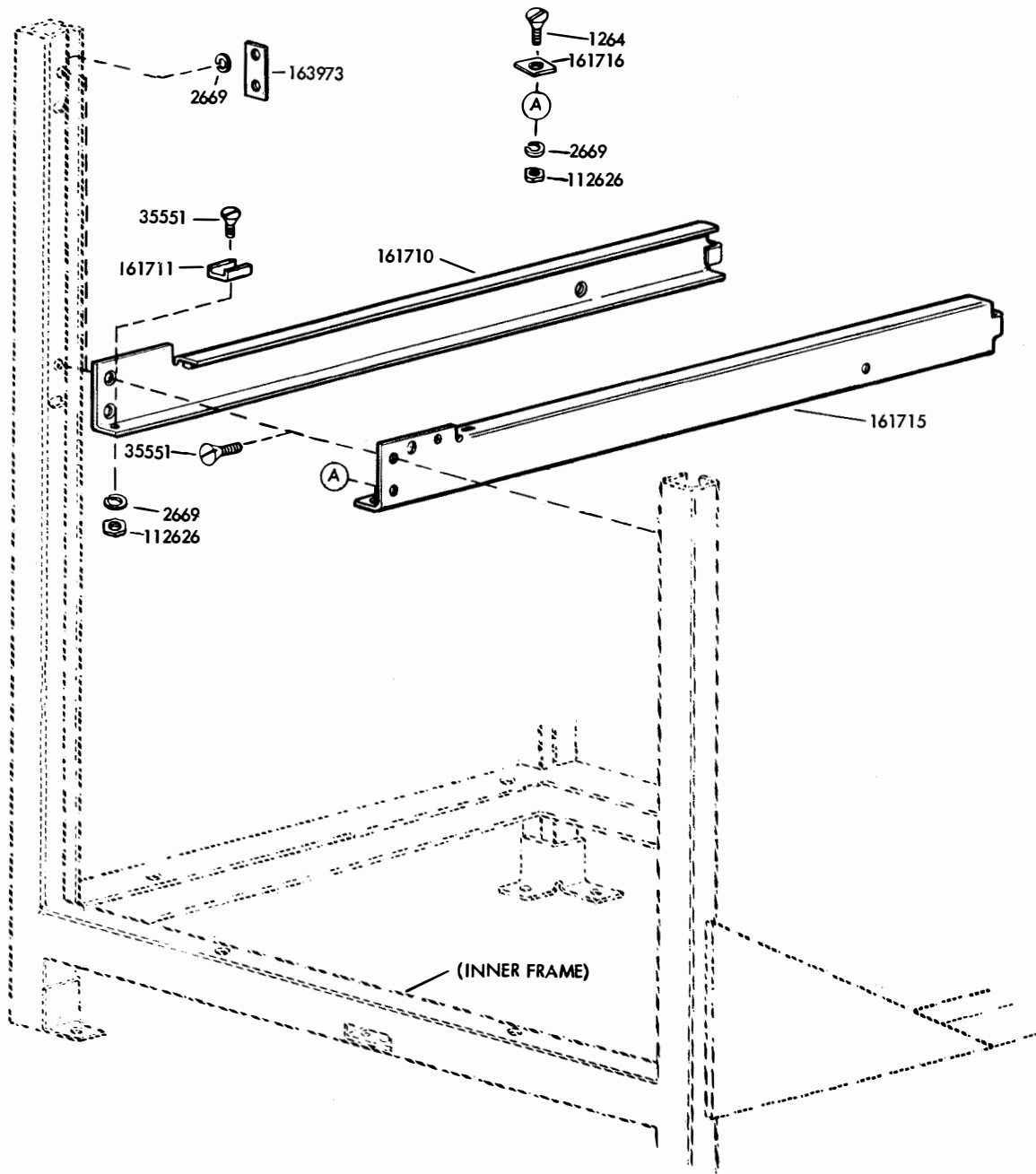


FIGURE 5. CHANNELS

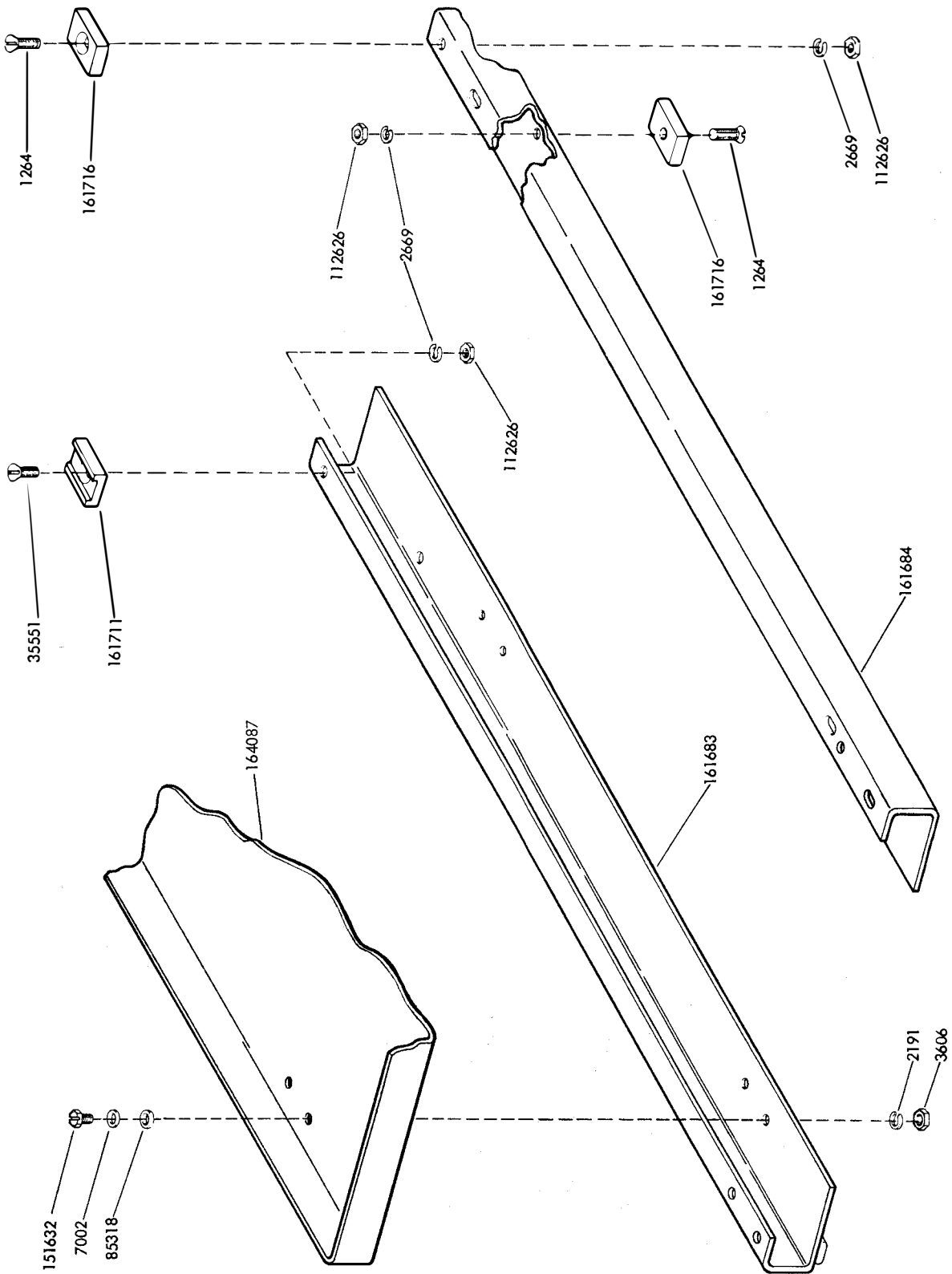


FIGURE 6. 164088 PAN ASSEMBLY

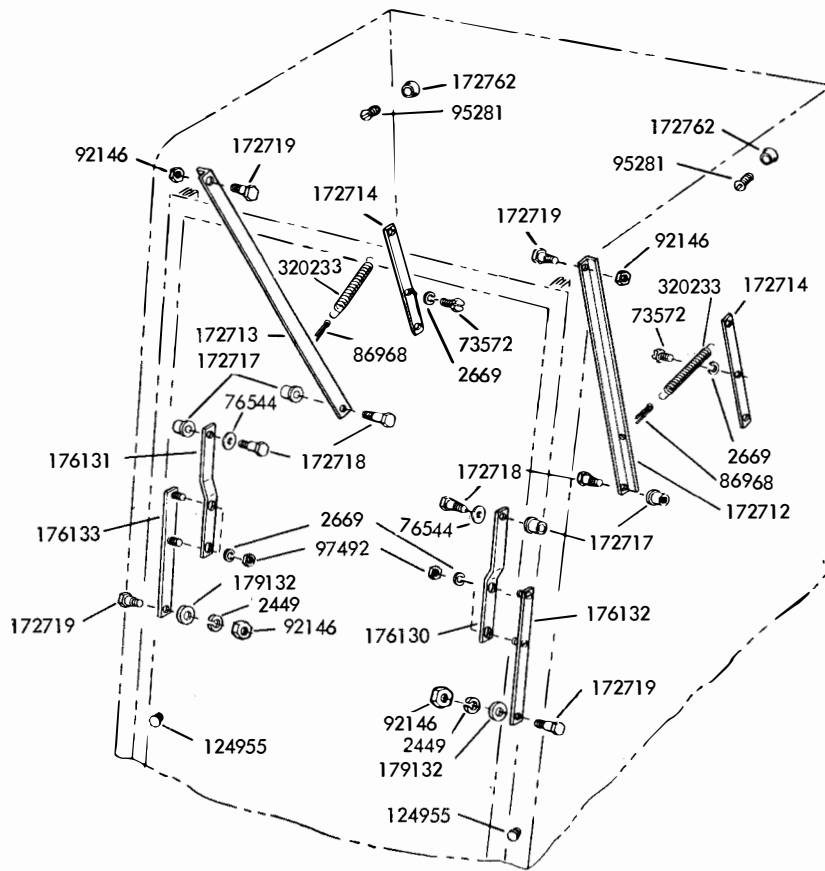


FIGURE 7. DOOR ARM MECHANISM

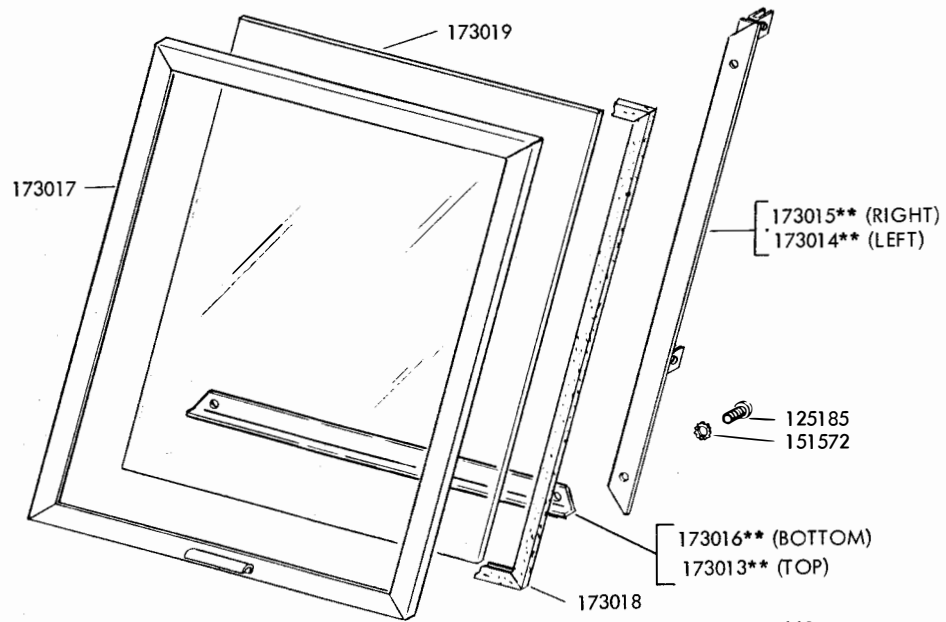


FIGURE 8. 172700** DOOR ASSEMBLY

**Refer to Page 1 for Finish Suffix

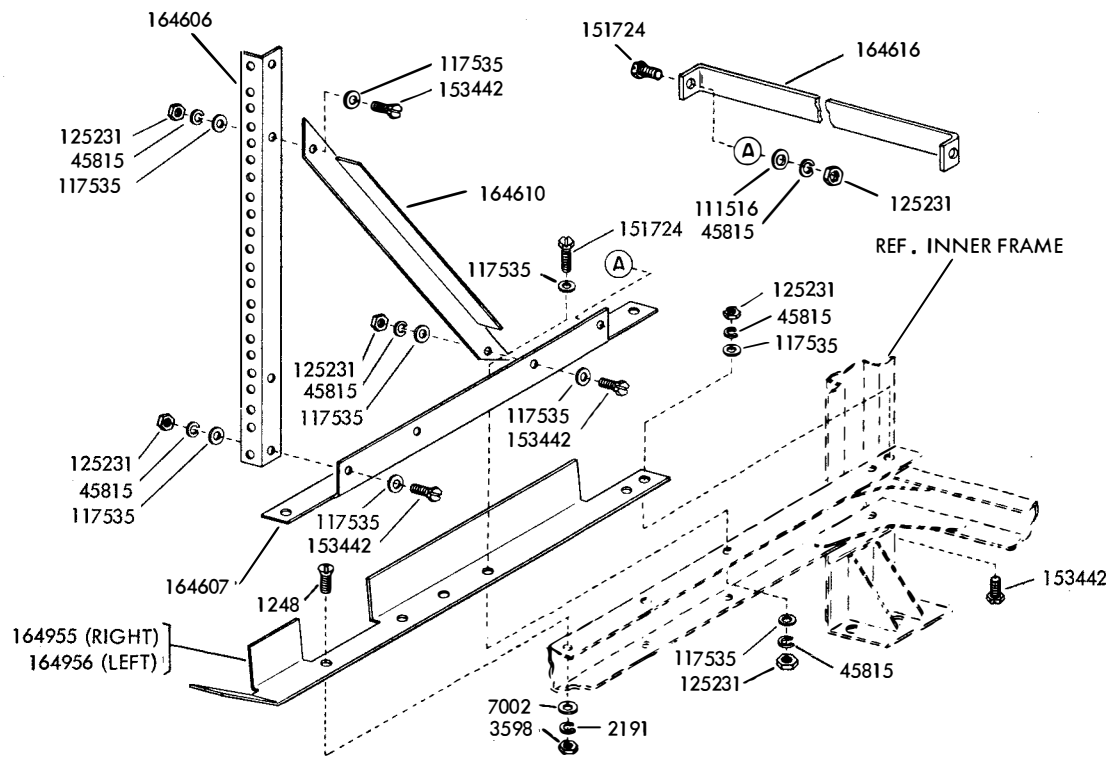


FIGURE 9. RELAY RACK FRAME

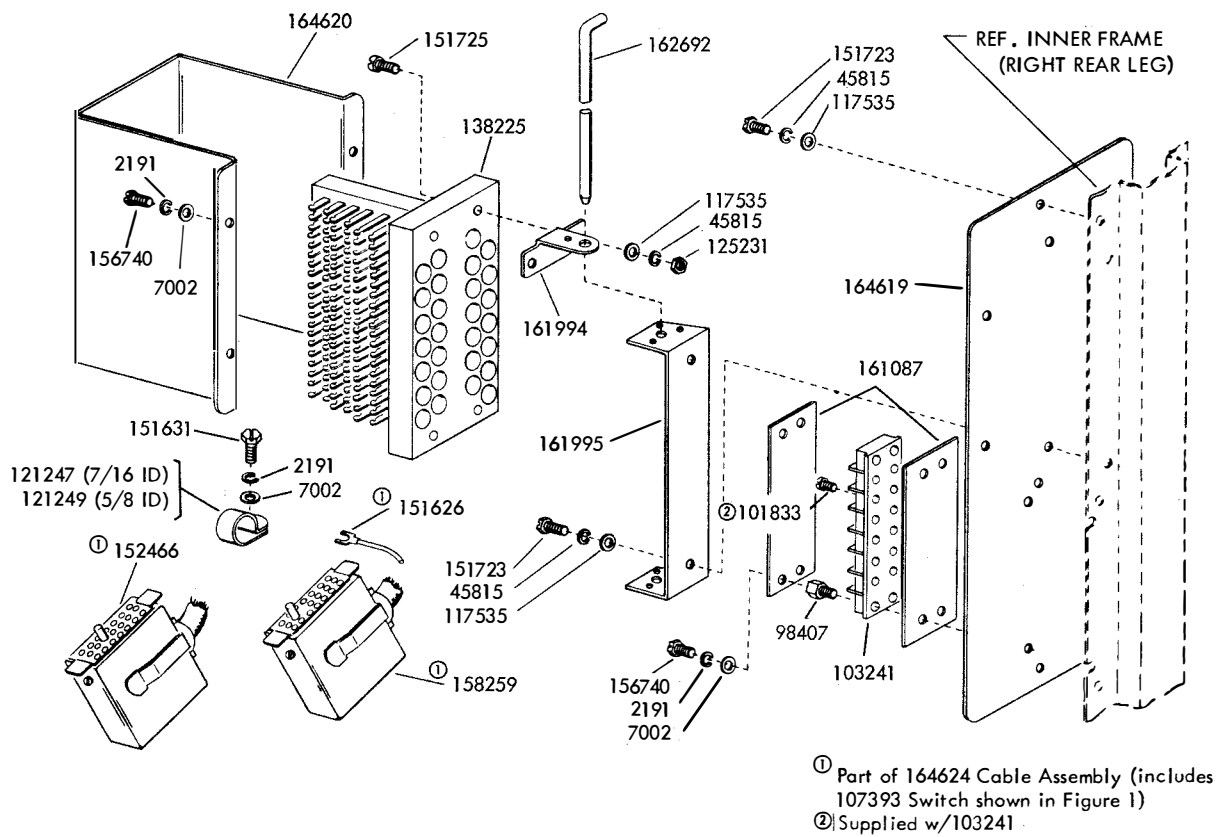
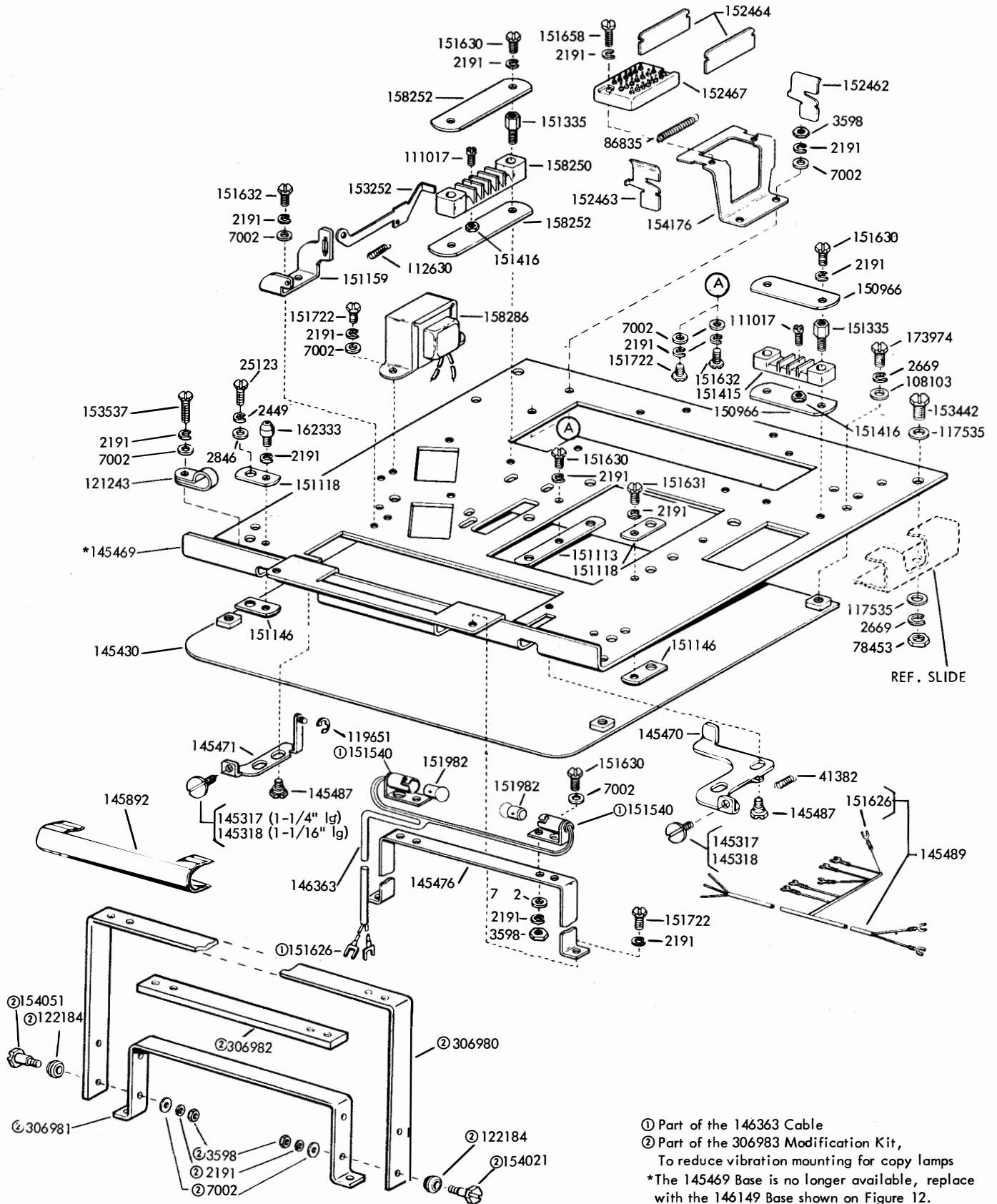


FIGURE 10. TERMINAL BLOCKS AND CABLE CONNECTORS



① Part of the 146363 Cable
 ② Part of the 306983 Modification Kit,
 To reduce vibration mounting for copy lamps
 *The 145469 Base is no longer available, replace
 with the 146149 Base shown on Figure 12.

FIGURE 11. BASE PLATE

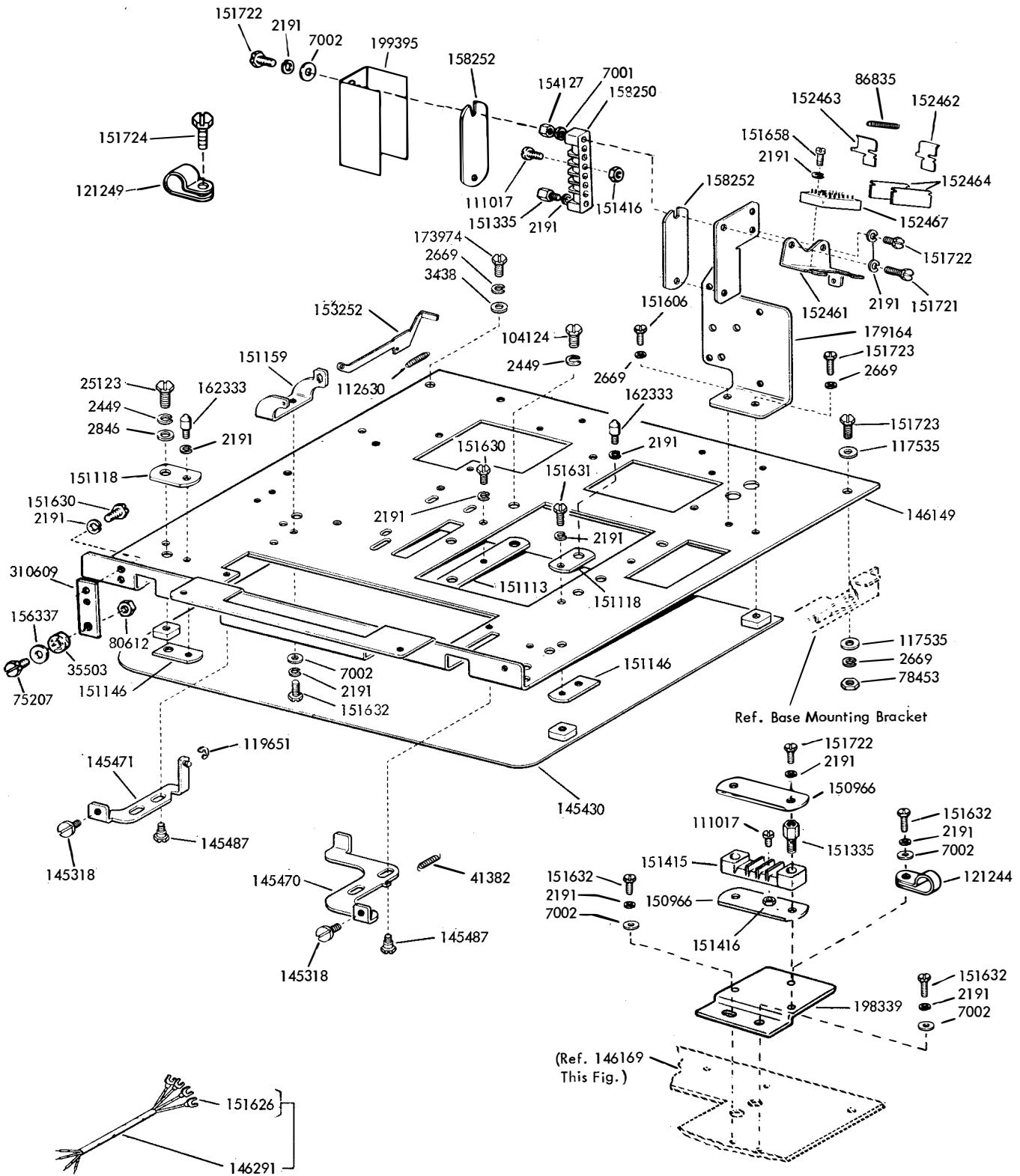


FIGURE 12. BASE PLATE

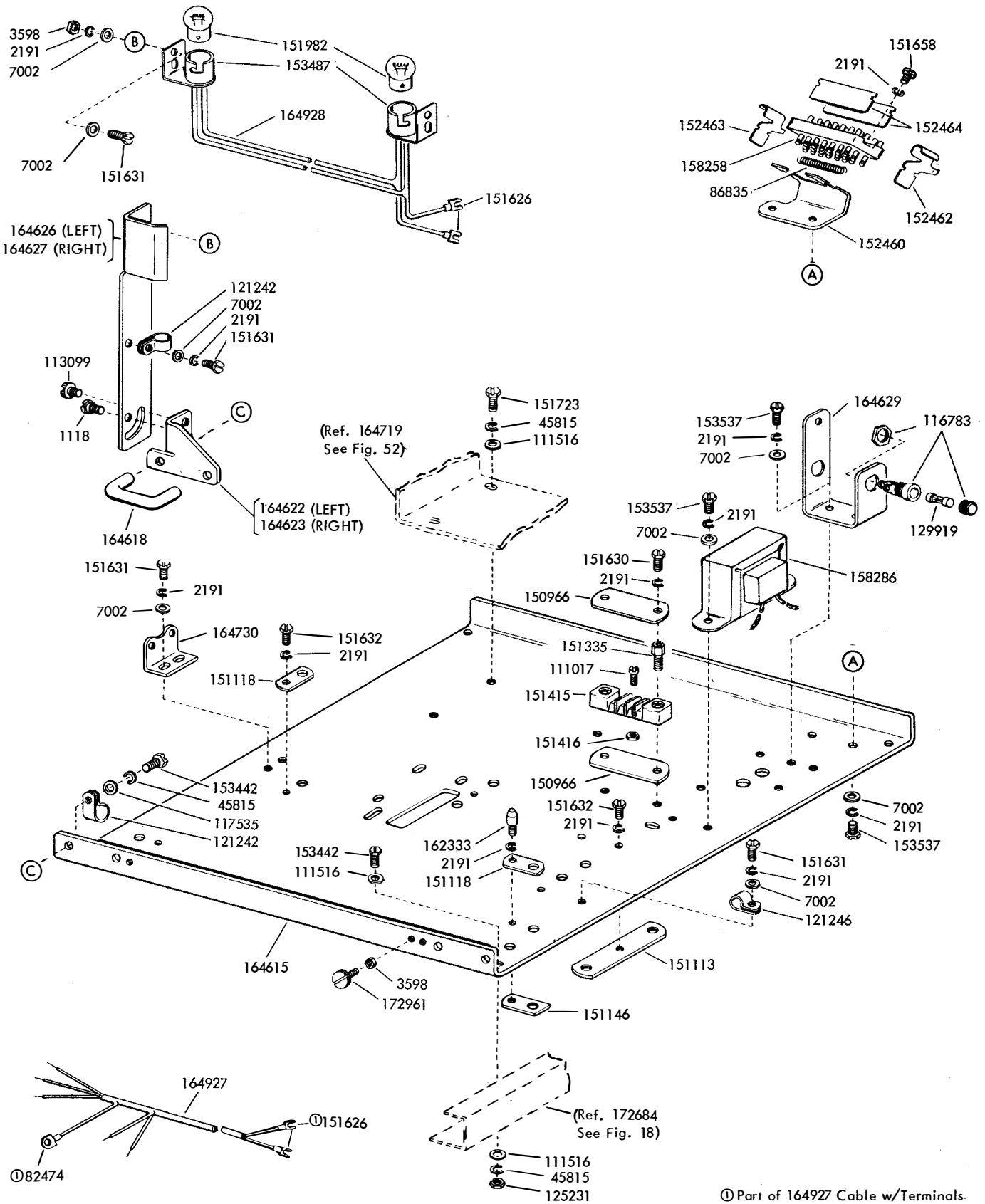


FIGURE 13. RECEIVE-ONLY BASE PLATE

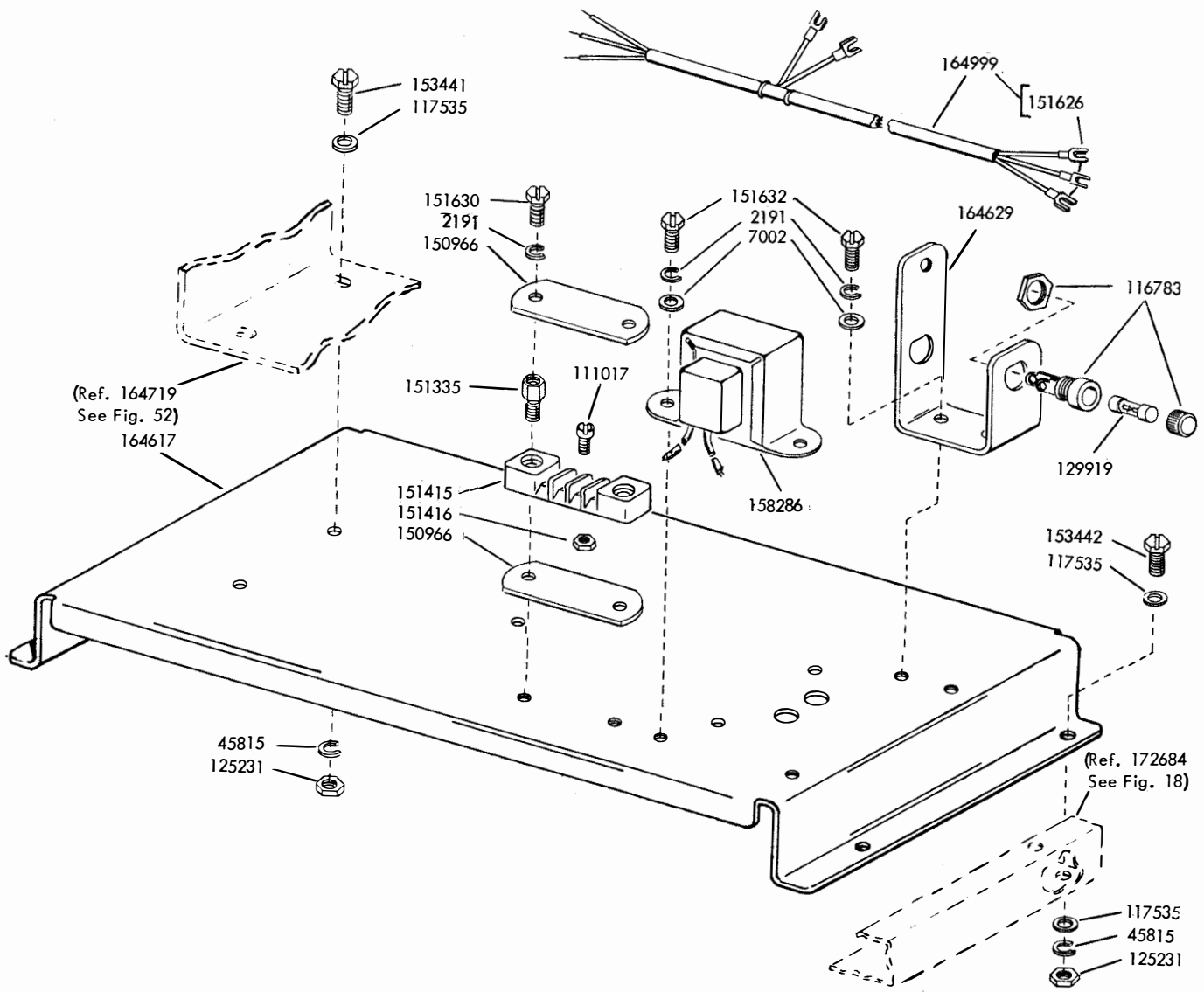


FIGURE 14. PAPER WINDER SHELF FOR SEND-RECEIVE BASE

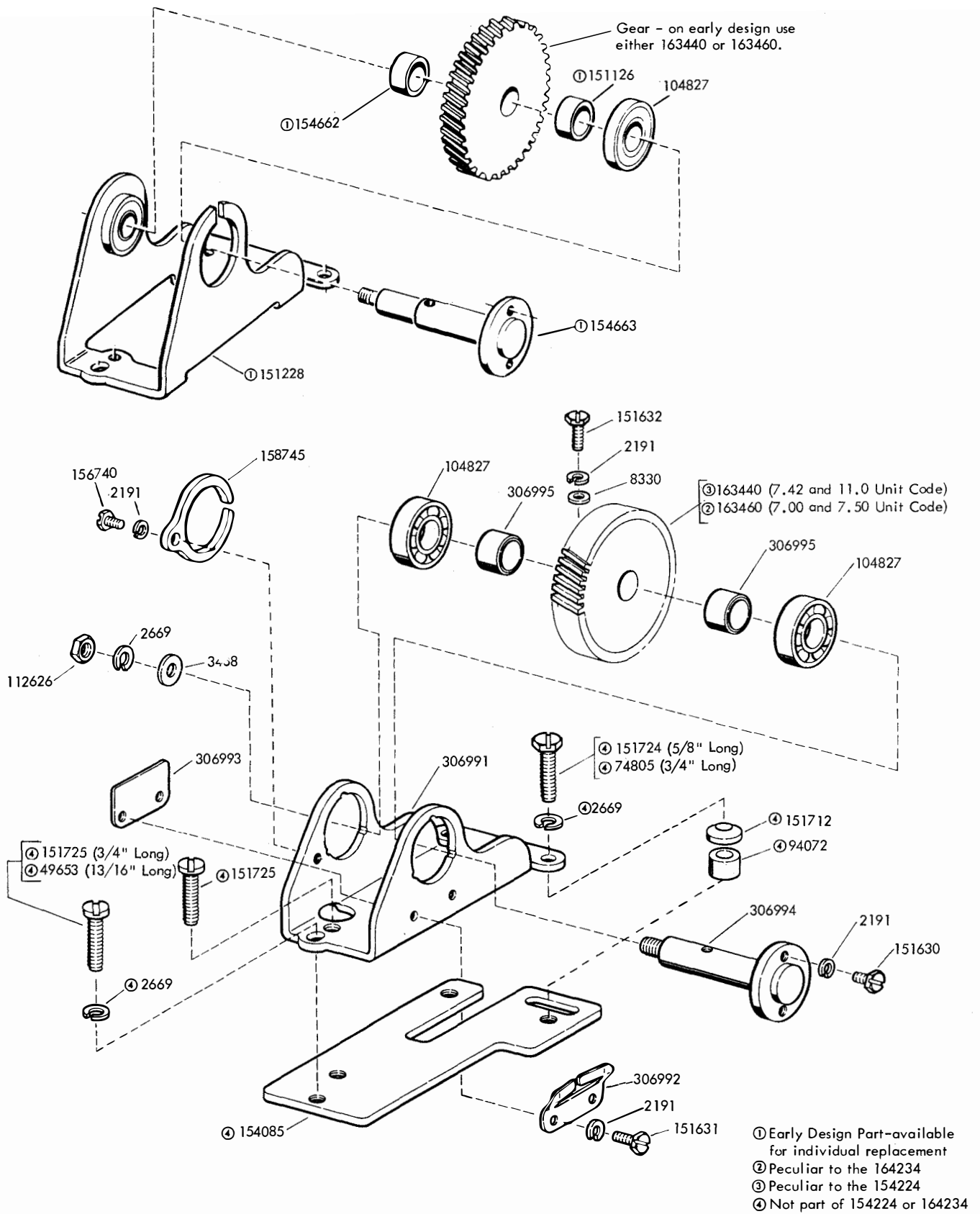
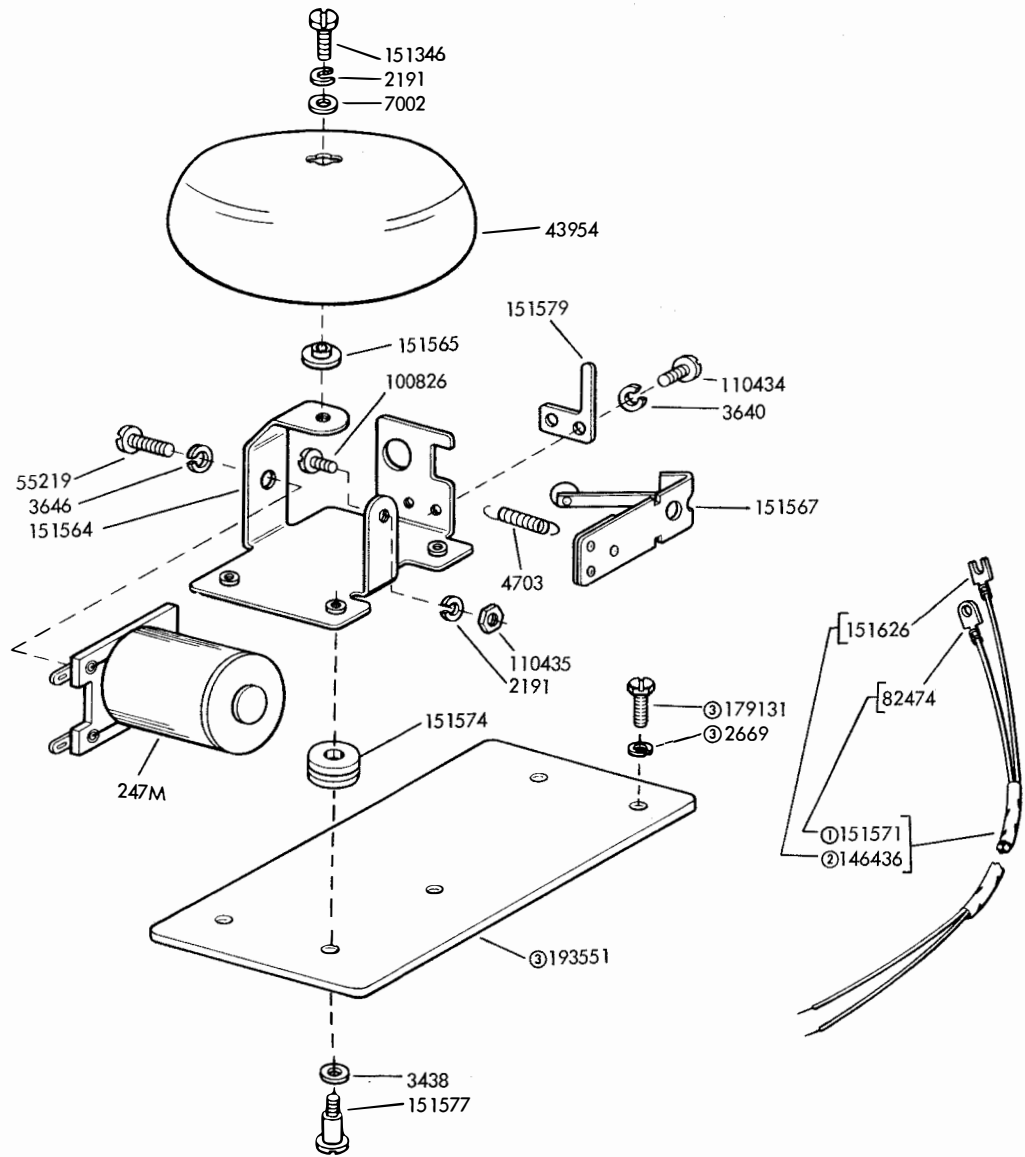
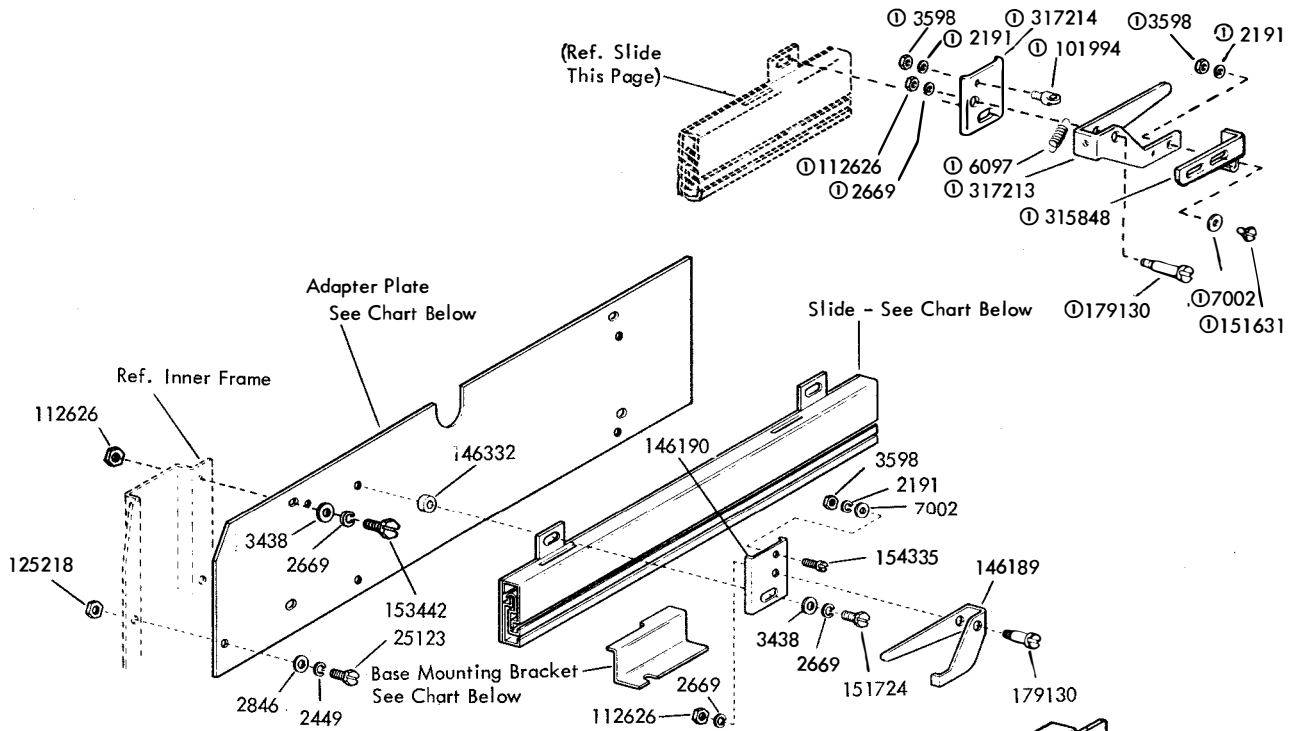


FIGURE 15. 154224 AND 164234 INTERMEDIATE GEAR ASSEMBLIES

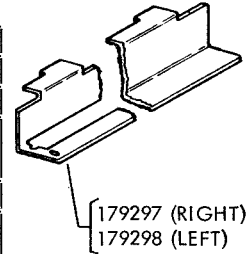


- ① Part of 151560
- ② Part of 146437
- ③ Not Part of 151560 or 146437

FIGURE 16. 151560 AND 146437 BELL ASSEMBLIES



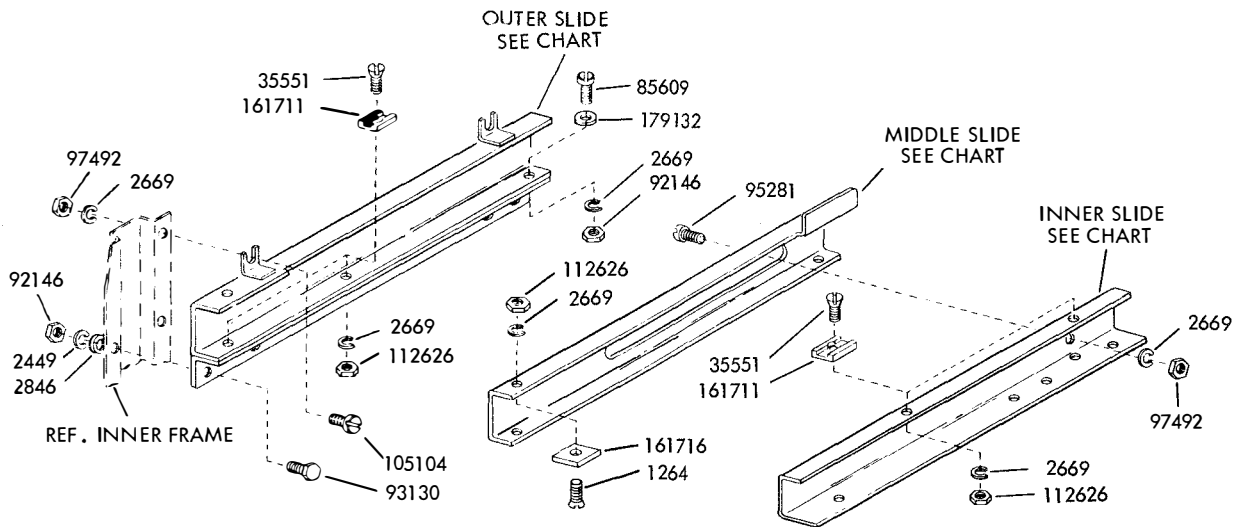
Description	3 Printer Cabinet Slide Location						
	Top		Center		Bottom		
	Left	Right	Left	Right	Left	Right	
Adapter Plate	146171	146171	146173	146173	146179	146179	
Slide	146187	146188	146185	146186	146185	146186	
Base Mounting Bracket	Front	146164	146163	146170	146169	146182	146181
	Rear	146166	146165	146168	146167	146184	146183



Description	4 Printer Cabinet Slide Location								
	Top		Top Center		Bottom Center		Bottom		
	Left	Right	Left	Right	Left	Right	Left	Right	
Adapter Plate	146171	146171	146173	146173	146179	146179	311249	311249	
Slide	146187	146188	146185	146186	146185	146186	146185	146186	
Base Mounting Bracket	Front	146164	146163	146170	146169	146170	146169	146170	146169
	Rear	146166	146165	146168	146167	146168	146167	146168	146167

① Part of the 315847 Modification Kit to provide latch for cabinet Specification 50427S

FIGURE 17. SLIDE MECHANISMS

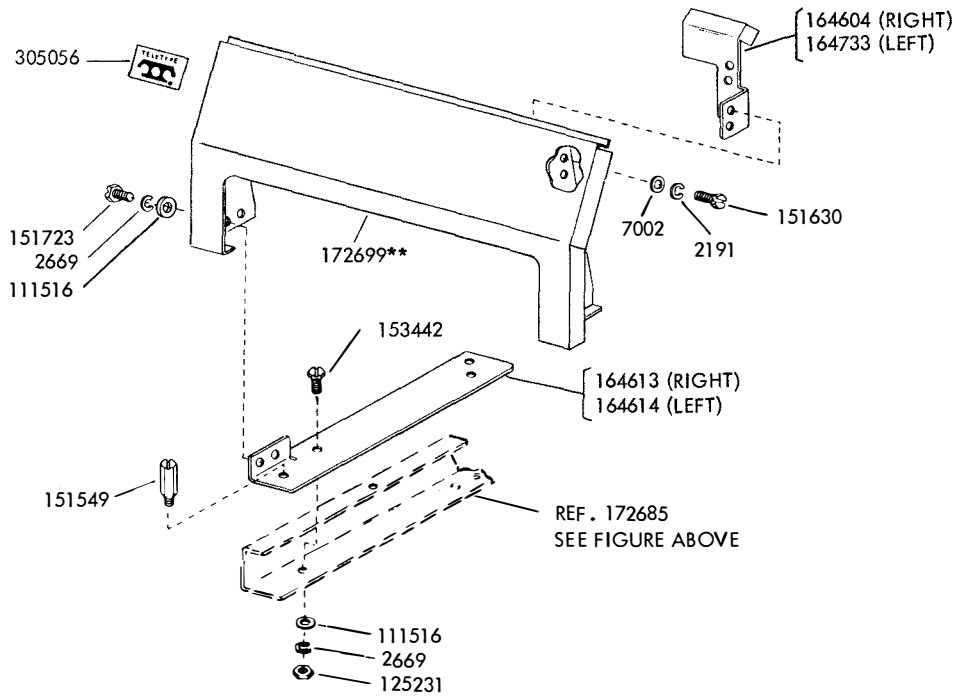


OUTER SLIDE		
SLIDE LOCATION	SIDE	PART NUMBER
TOP	LEFT	172650
	RIGHT	172651
CENTER	LEFT	172654
	RIGHT	172655
BOTTOM	LEFT	172659
	RIGHT	172658

MIDDLE SLIDE		
SLIDE LOCATION	SIDE	PART NUMBER
TOP CENTER	LEFT	172683
BOTTOM	RIGHT	172682

INNER SLIDE		
SLIDE LOCATION	SIDE	PART NUMBER
TOP CENTER	LEFT	172685
BOTTOM	RIGHT	172684

FIGURE 18. SLIDE MECHANISMS (Continued)



**Refer to Page 1 for Finish Suffix

FIGURE 19. SEND-RECEIVE KEYBOARD COVER

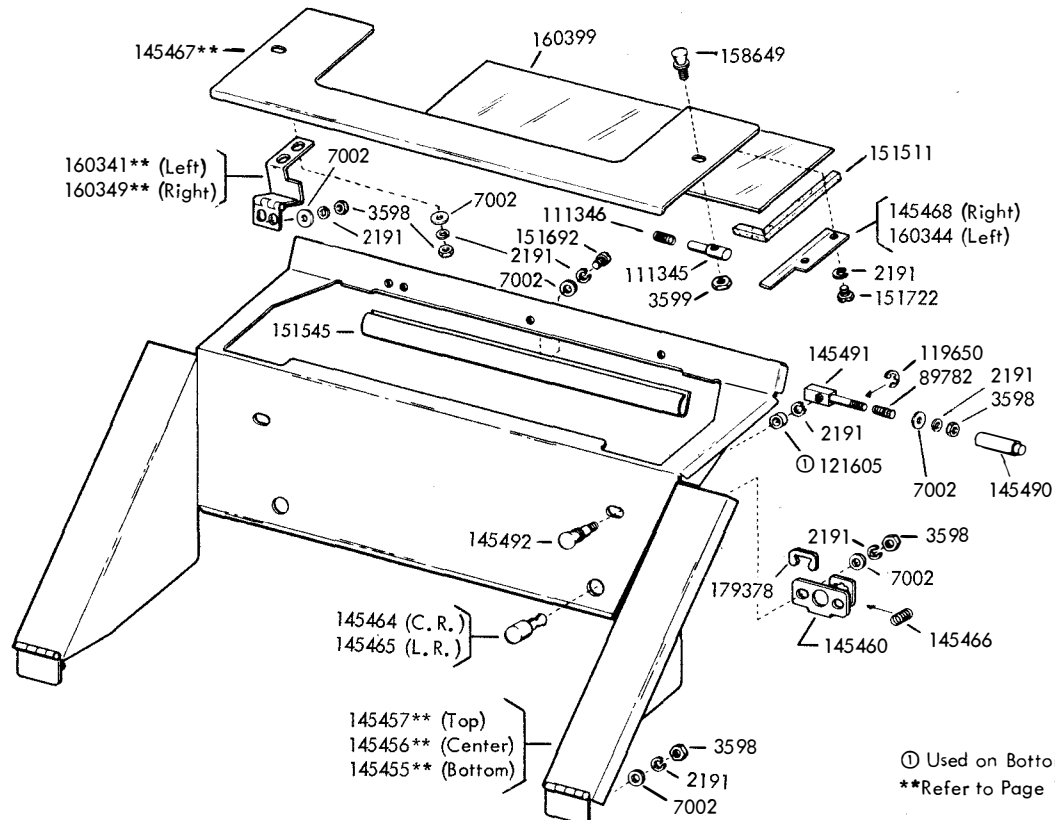


FIGURE 20. COVERS

⓪ Used on Bottom Cover Only
 **Refer to Page 1 for Finish Suffix

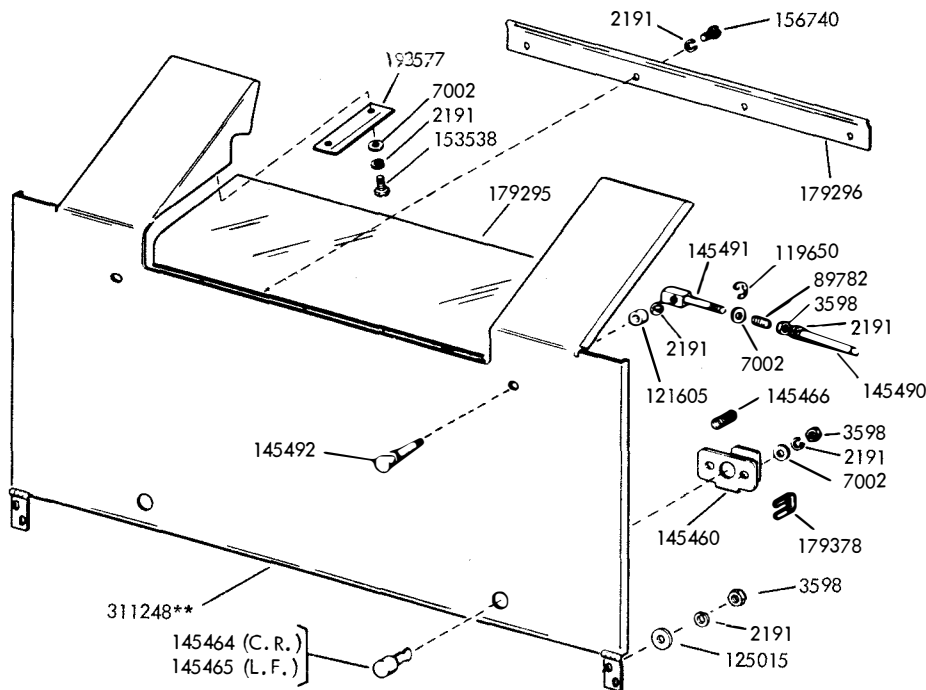
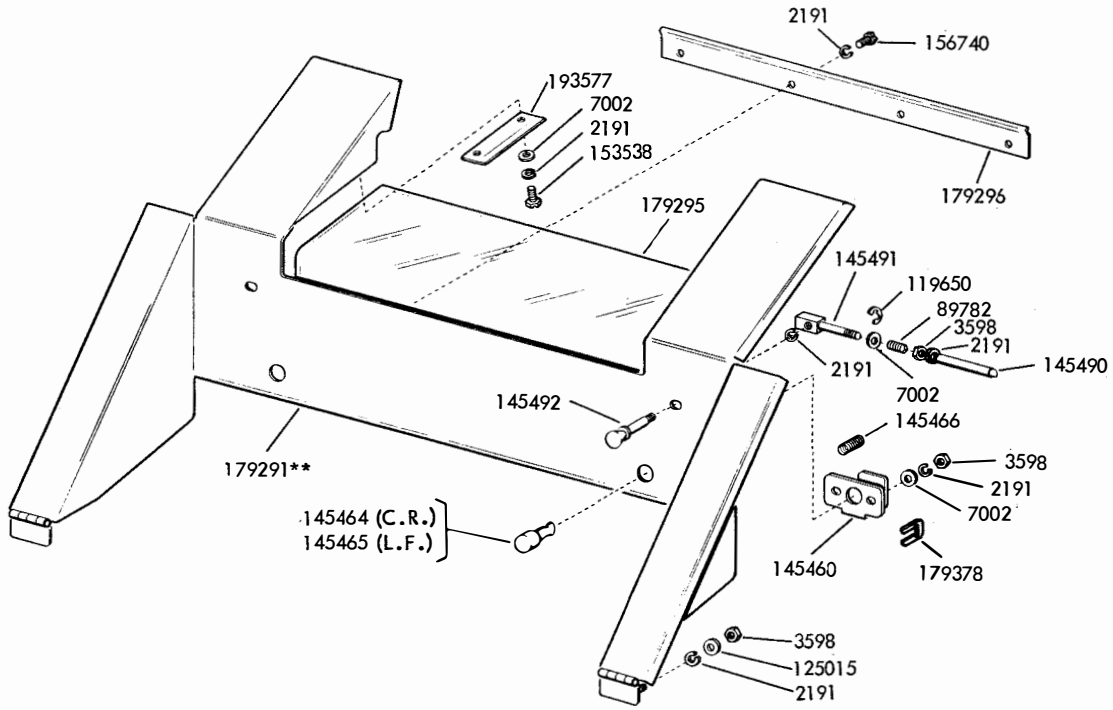


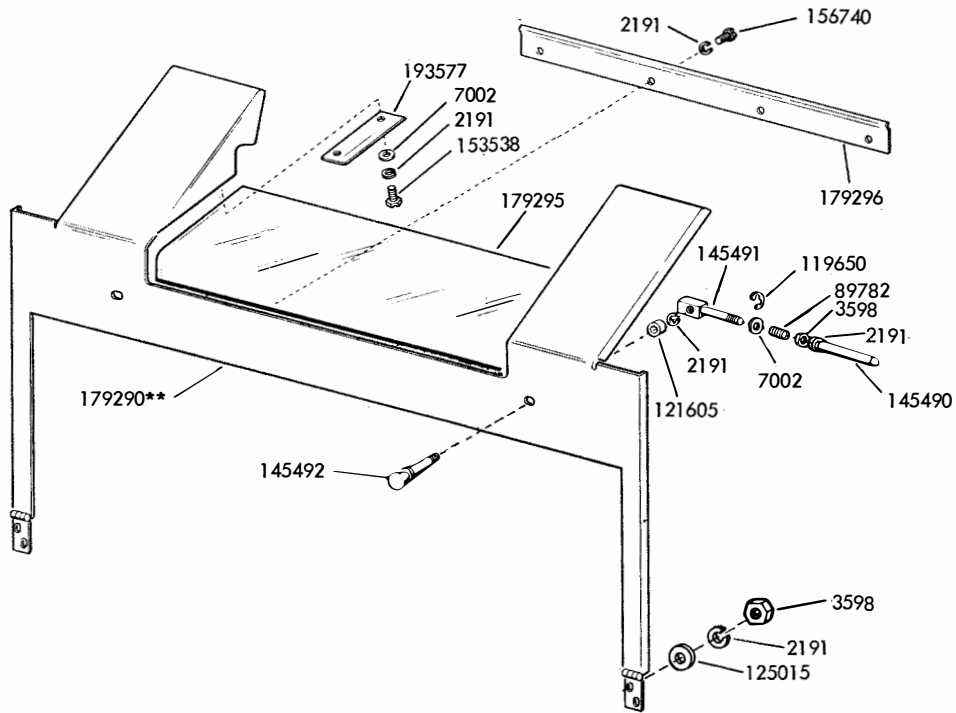
FIGURE 21. 311267** BOTTOM COVER ASSEMBLY

**Refer to Page 1 for Finish Suffix



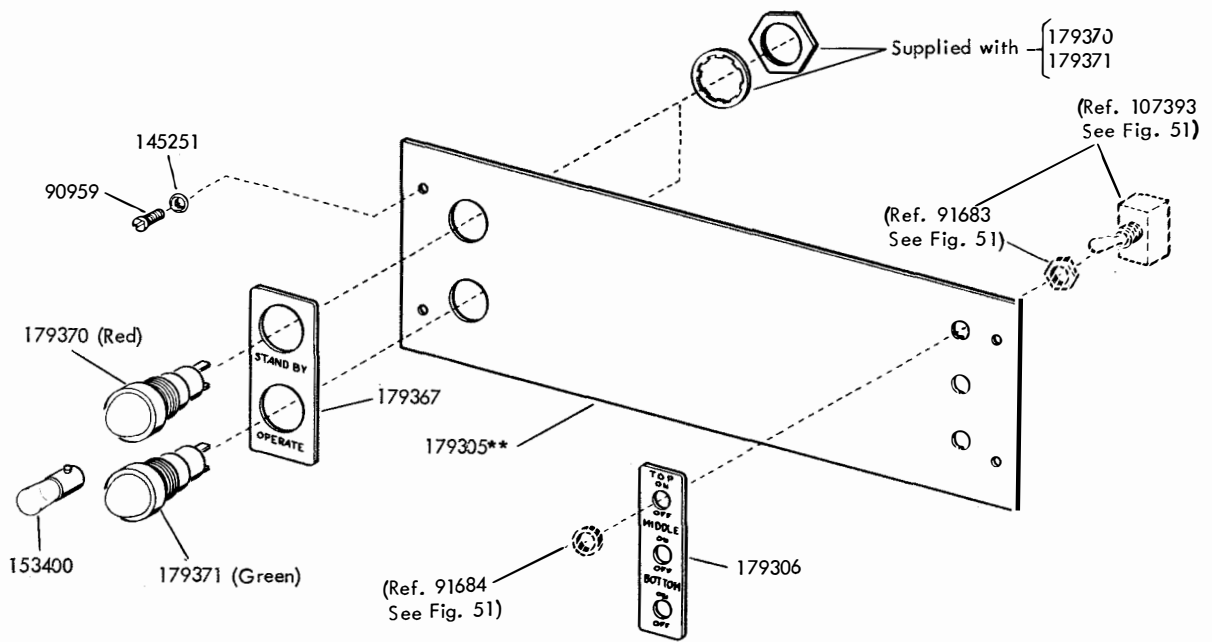
** Refer to Page 1 for Finish Suffix

FIGURE 22. TOP AND MIDDLE COVERS



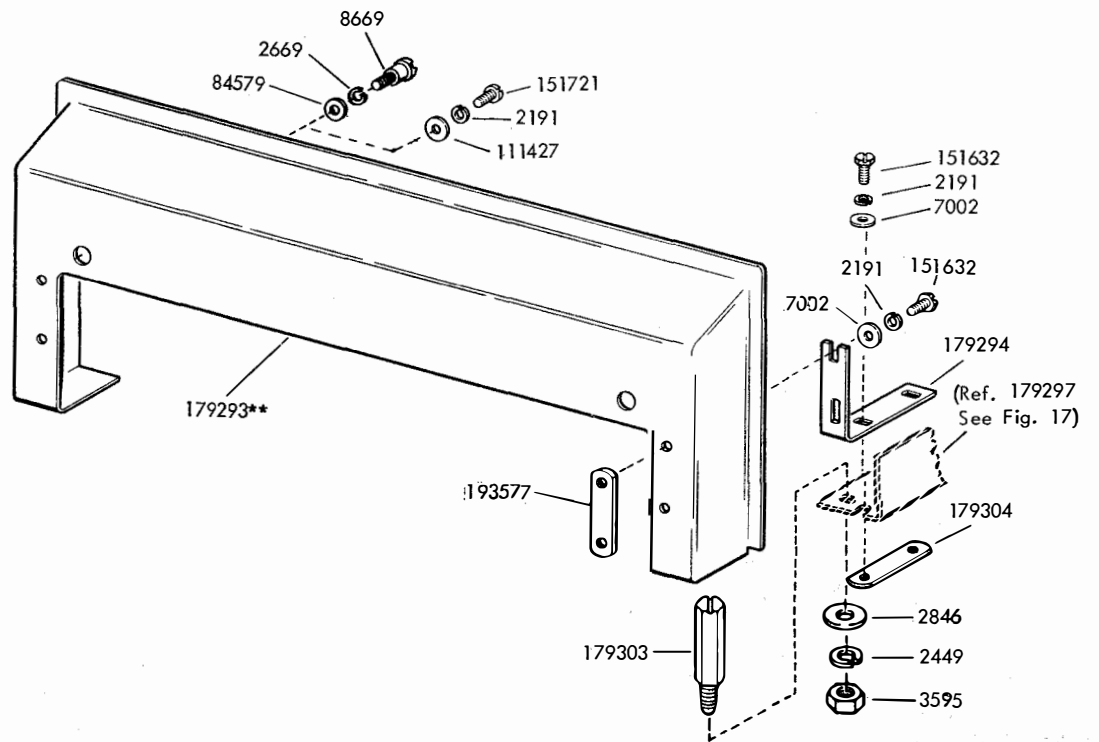
**Refer to Page 1 for Finish Suffix.

FIGURE 23. BOTTOM COVER



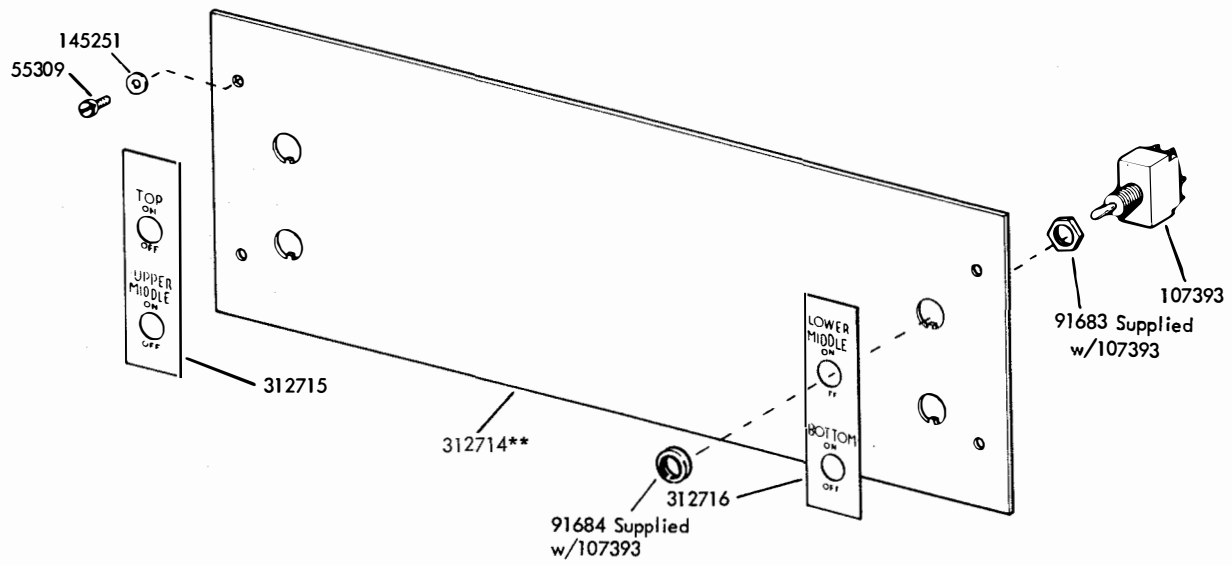
**Refer to Page 1 for Finish Suffix

FIGURE 24. CONTROL PANEL



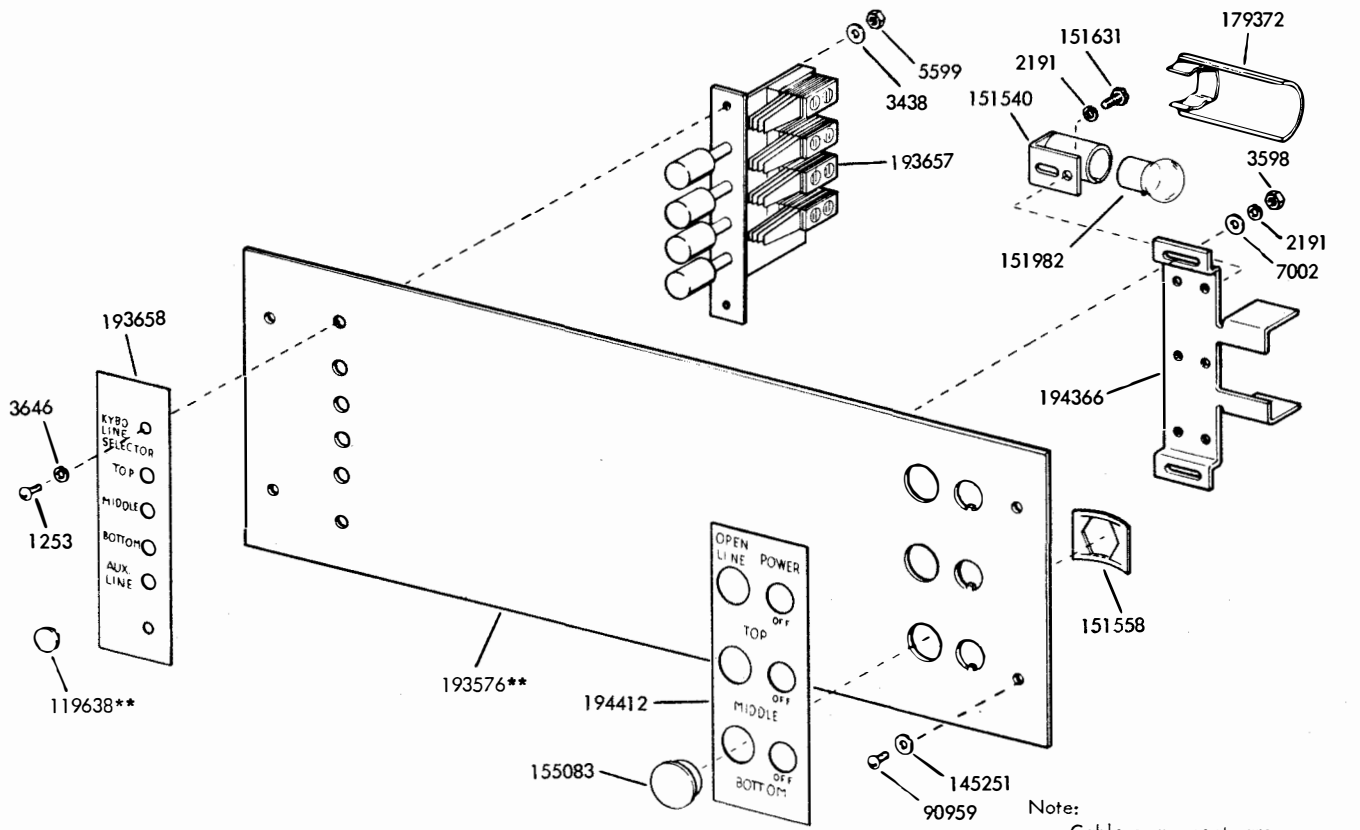
**Refer to Page 1 for Finish Suffix.

FIGURE 25. KEYBOARD PANEL



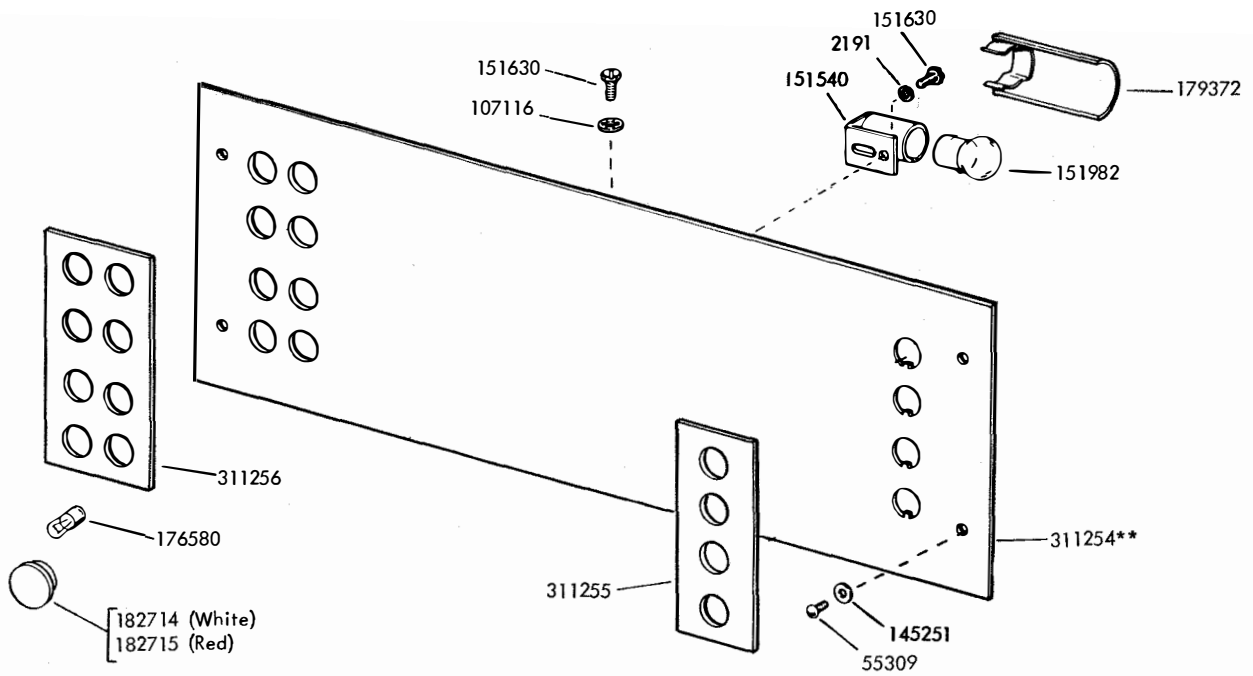
**Refer to Page 1 for Finish Suffix.

FIGURE 26. FIXED CONTROL PANEL (4 Printer Cabinet)



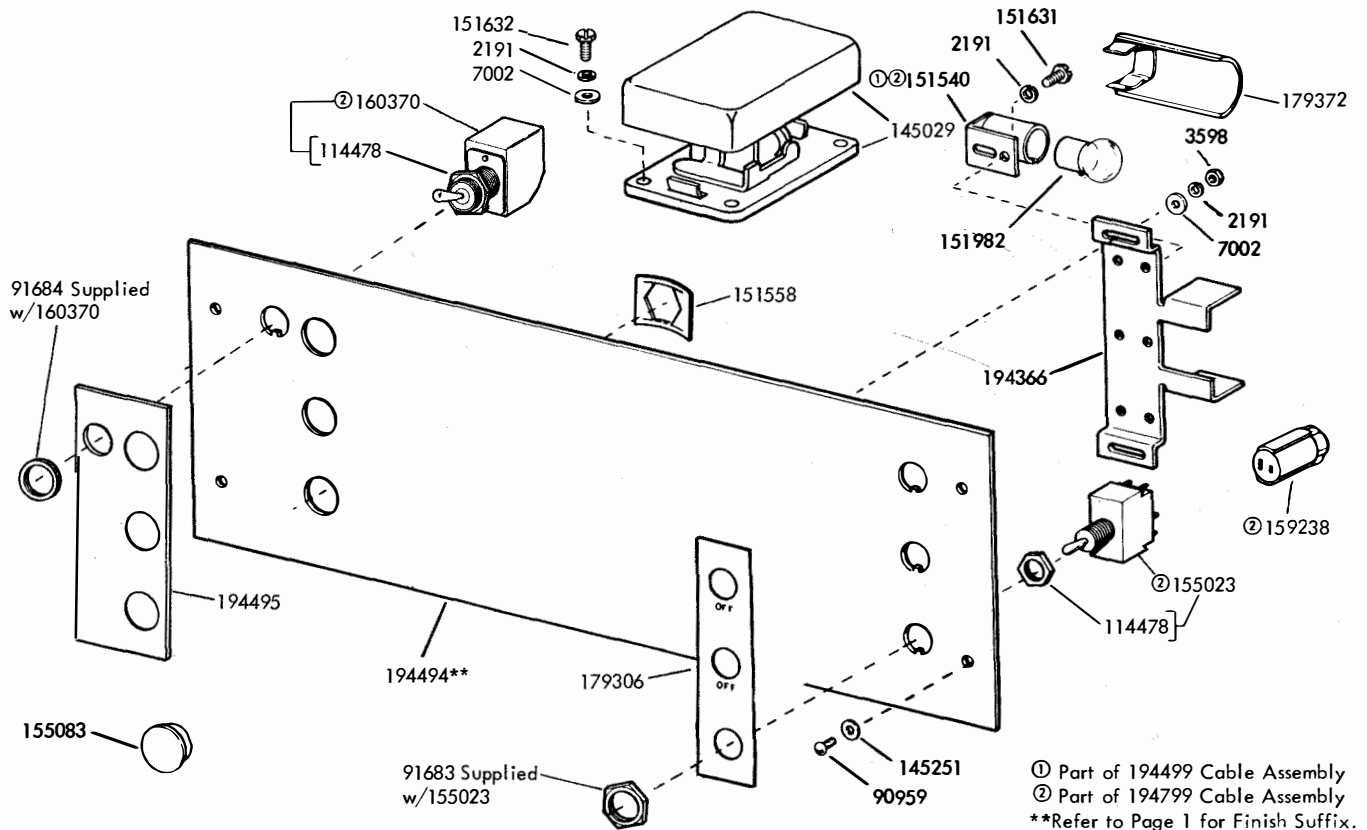
Note:
Cable components are
found on Fig. 51.
**Refer to Page 1 for Finish Suffix.

FIGURE 27. FIXED CONTROL PANEL



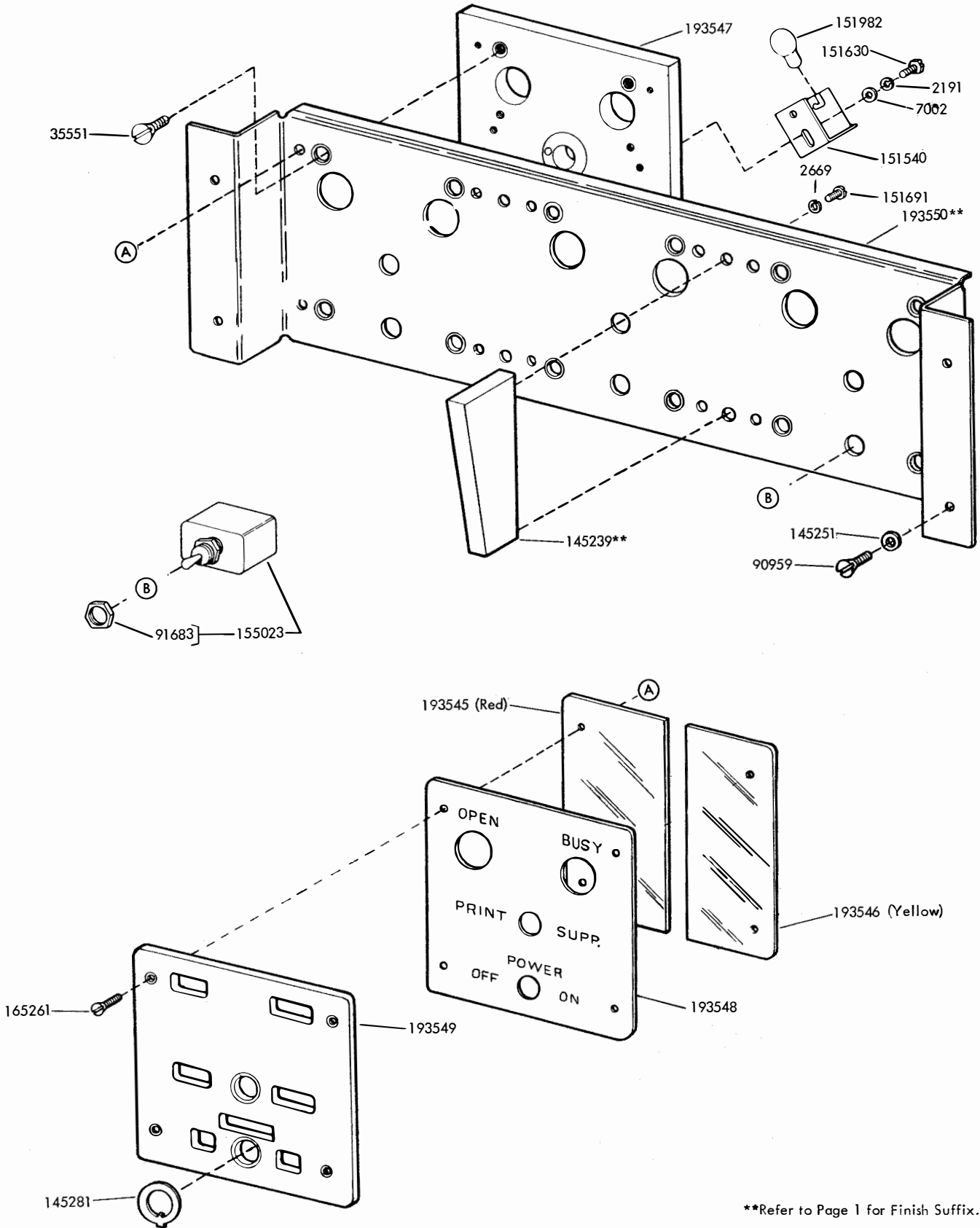
**Refer to Page 1 for Finish Suffix.

FIGURE 28. FIXED CONTROL PANEL



① Part of 194499 Cable Assembly
 ② Part of 194799 Cable Assembly
 **Refer to Page 1 for Finish Suffix.

FIGURE 29. FIXED CONTROL PANEL



**Refer to Page 1 for Finish Suffix.

FIGURE 30. CONTROL PANEL

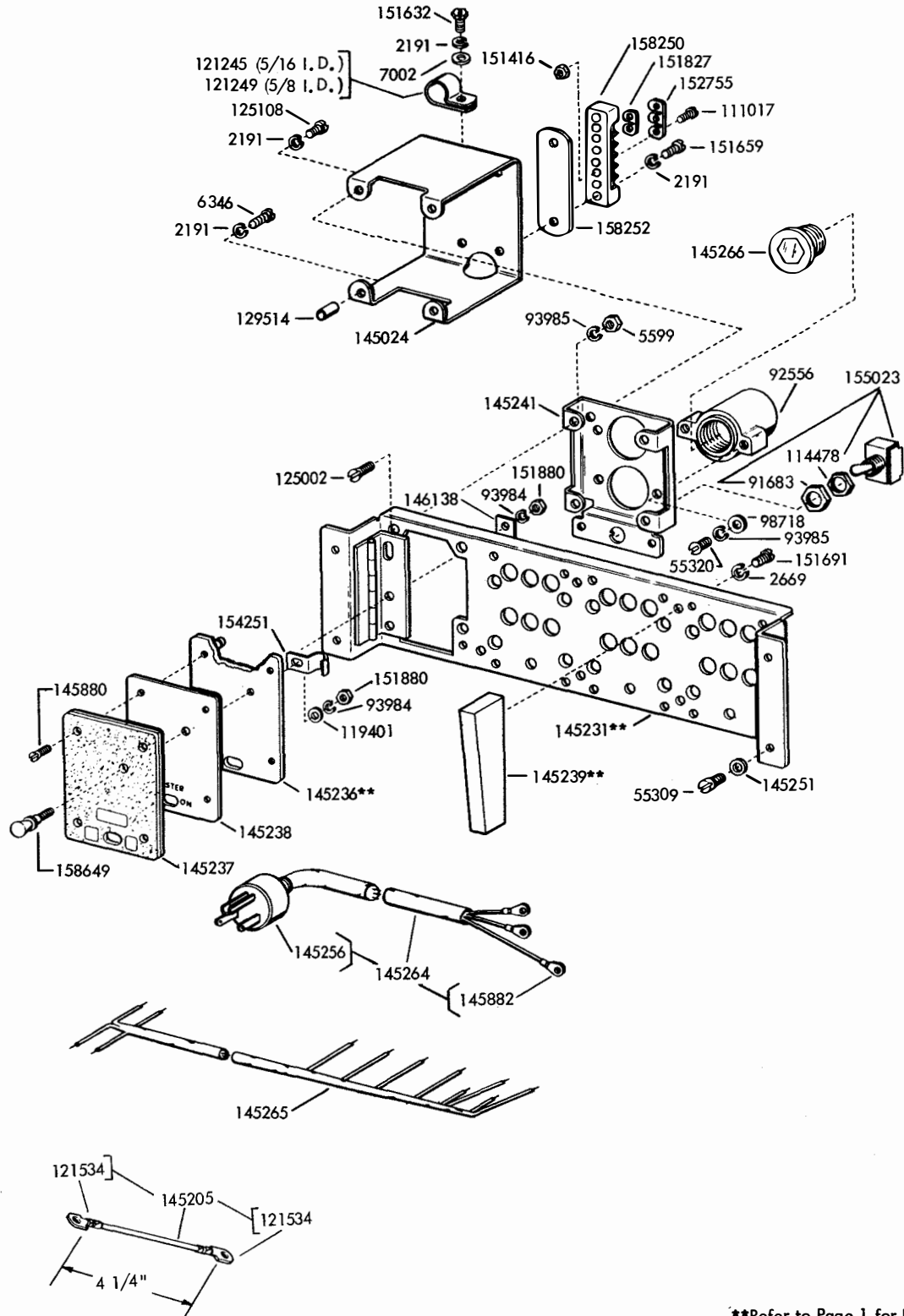
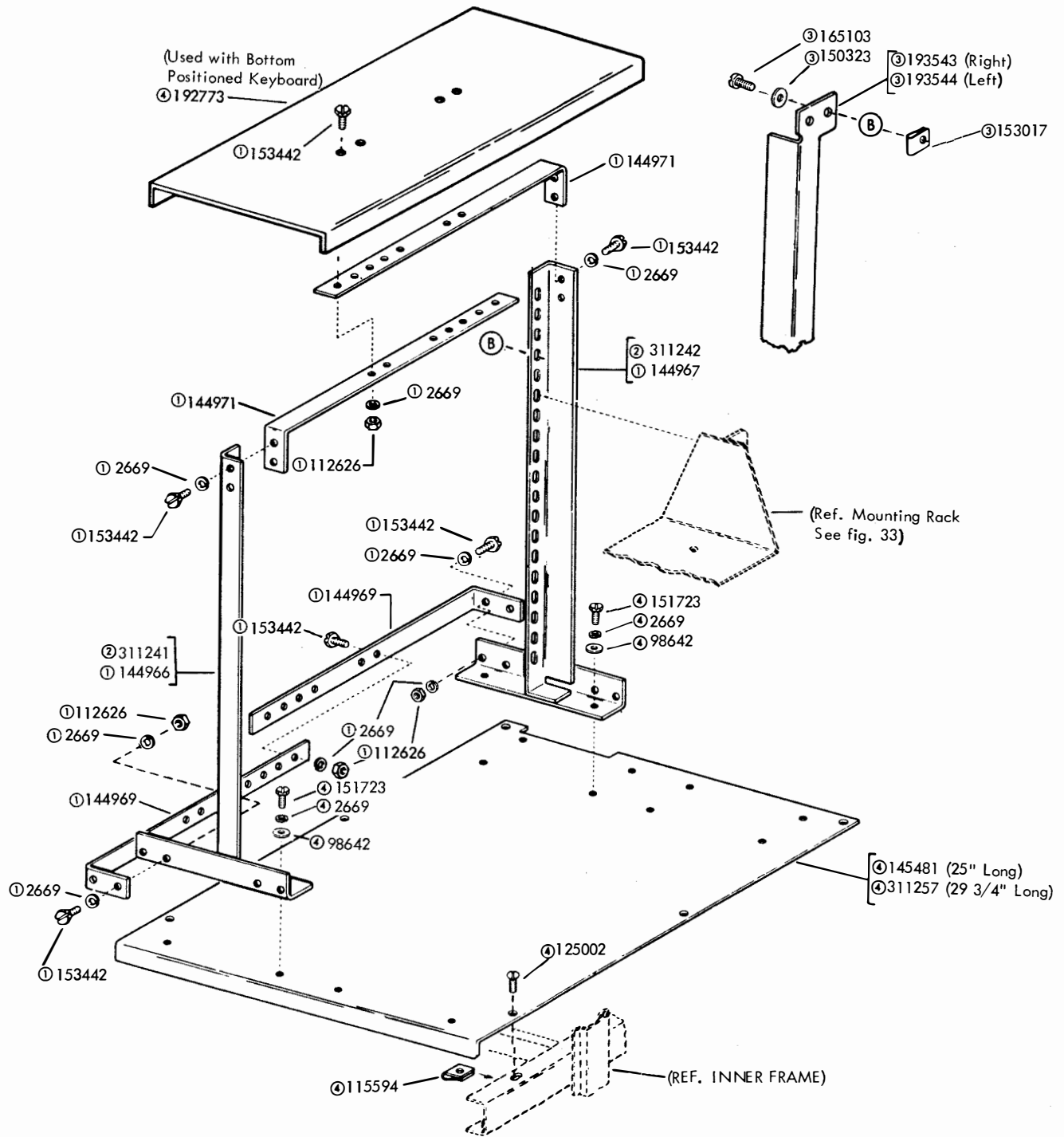


FIGURE 31. 145233** CONTROL PANEL ASSEMBLY



- ① Part of the 144965 Rack Assembly
- ② Part of the 311243 Rack Assembly (22 5/16" Wide) and the 315797 Rack Assembly (23 5/16" Wide), Same as 144965 except where shown
- ③ Used with 3 Electrical Service Units
- ④ Not part of rack Assemblies

FIGURE 32. 144965, 311243 AND 315797 MOUNTING RACK ASSEMBLIES

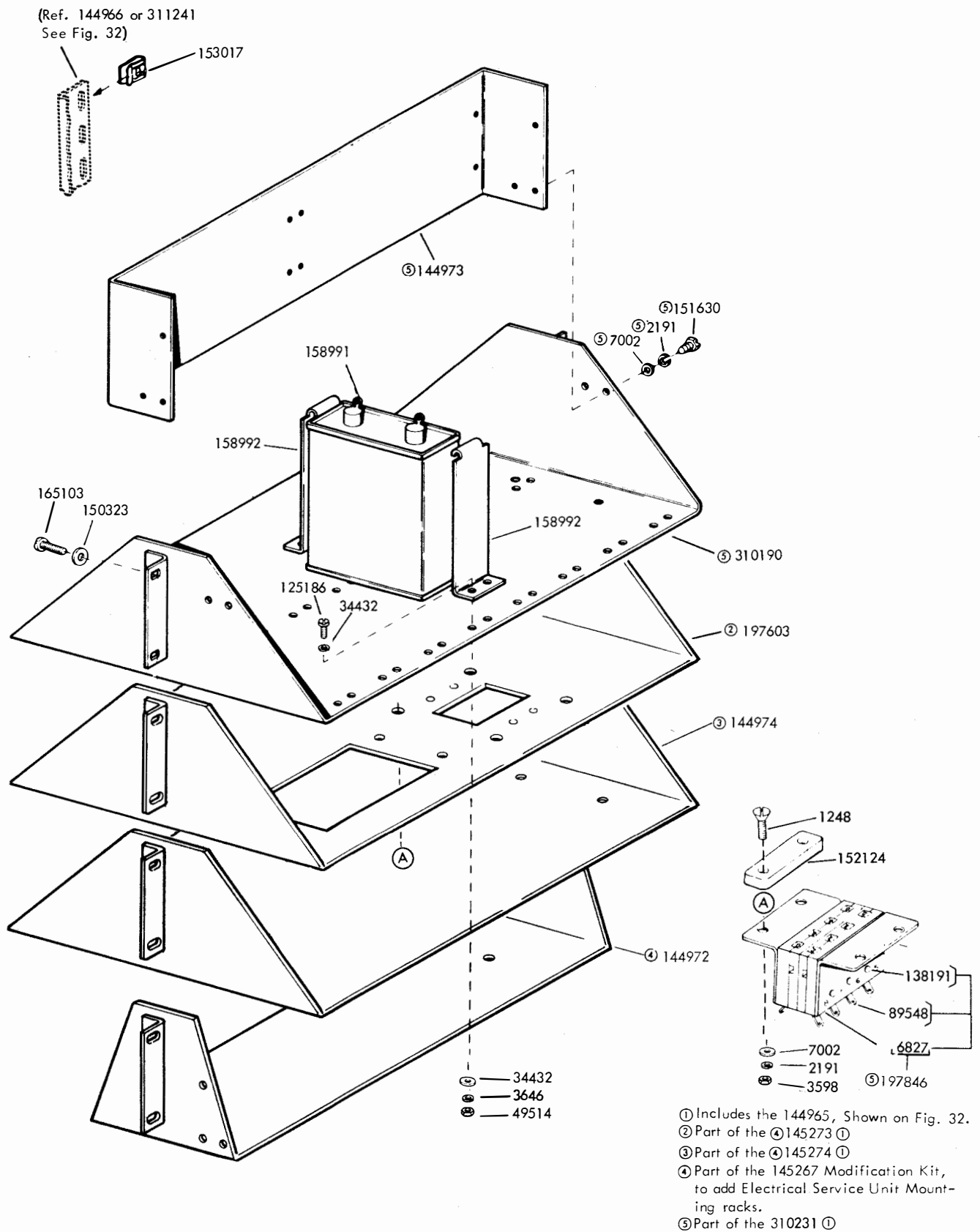


FIGURE 33. 145273, 145274 AND 310231 MOUNTING RACK ASSEMBLIES

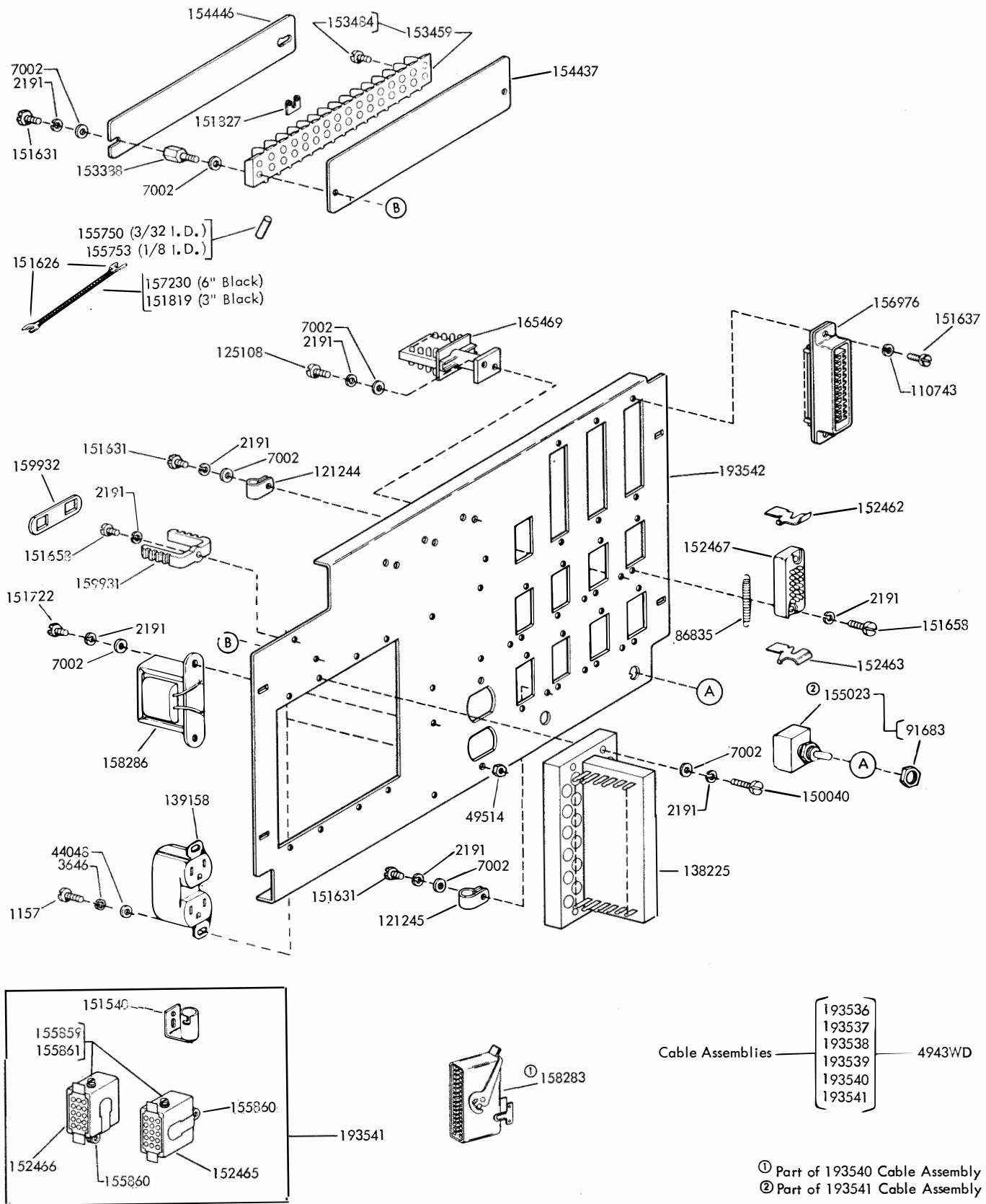


FIGURE 34. 193535 CONNECTOR PANEL ASSEMBLY

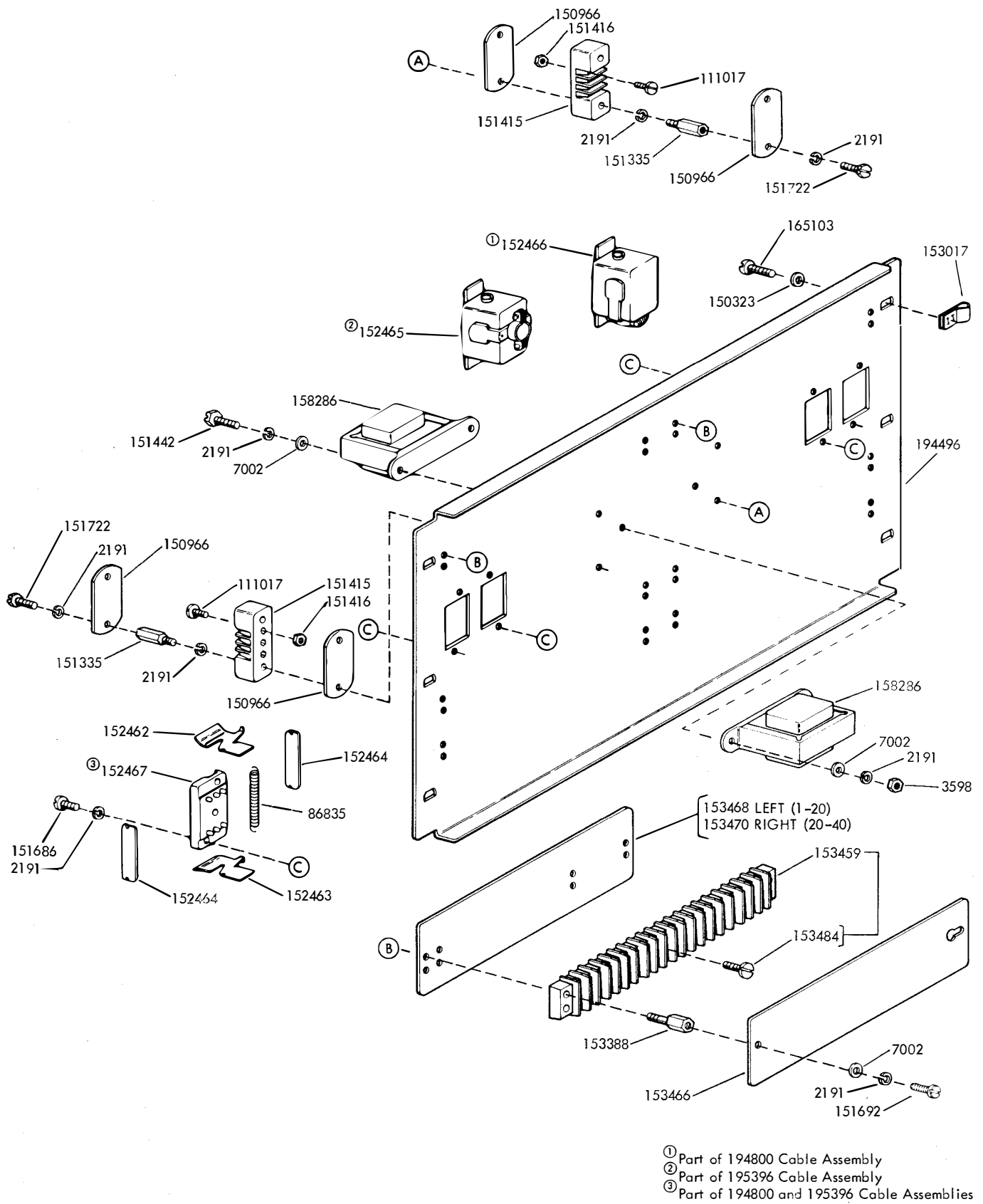


FIGURE 35. 195394 MOUNTING PLATE ASSEMBLY

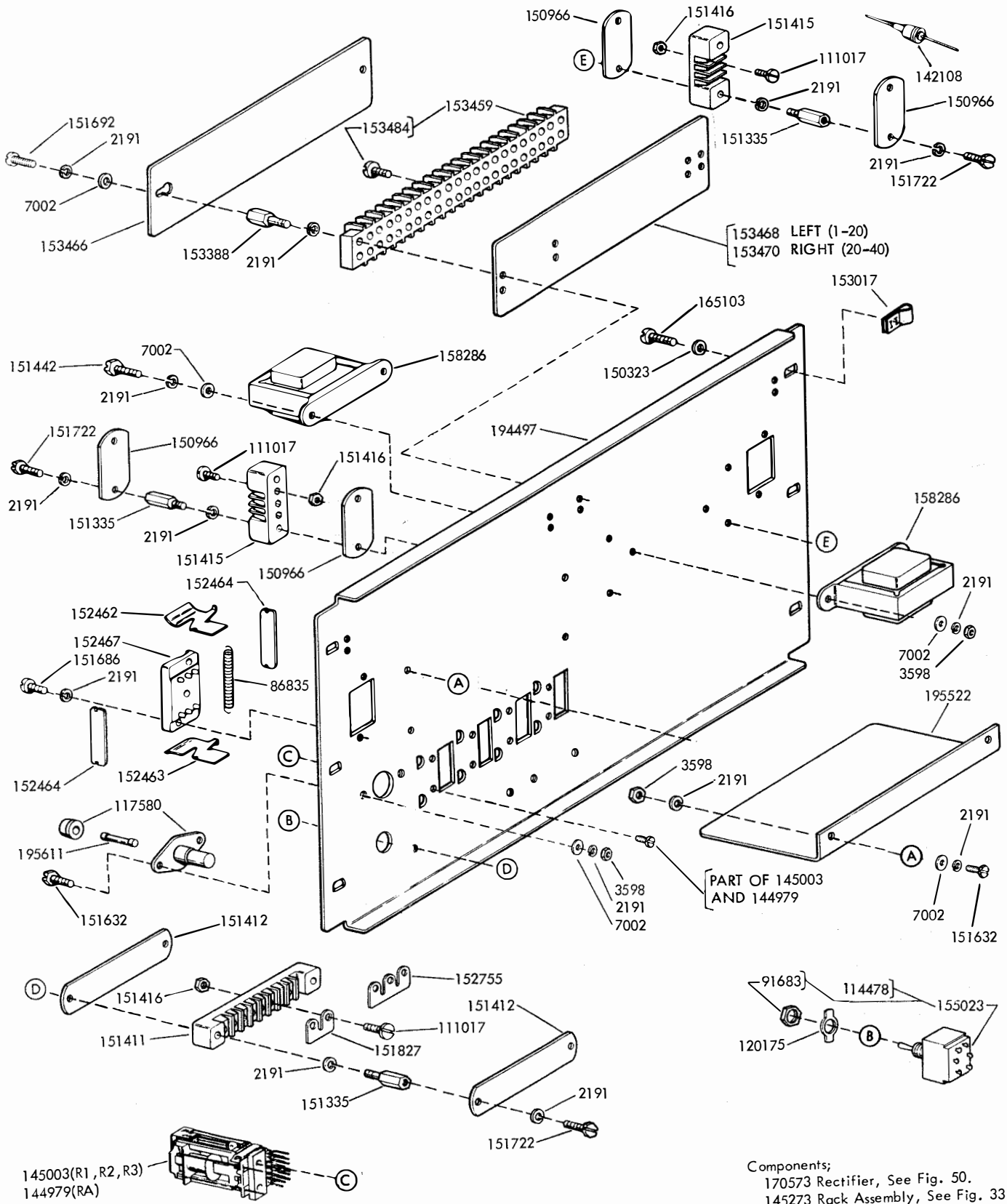
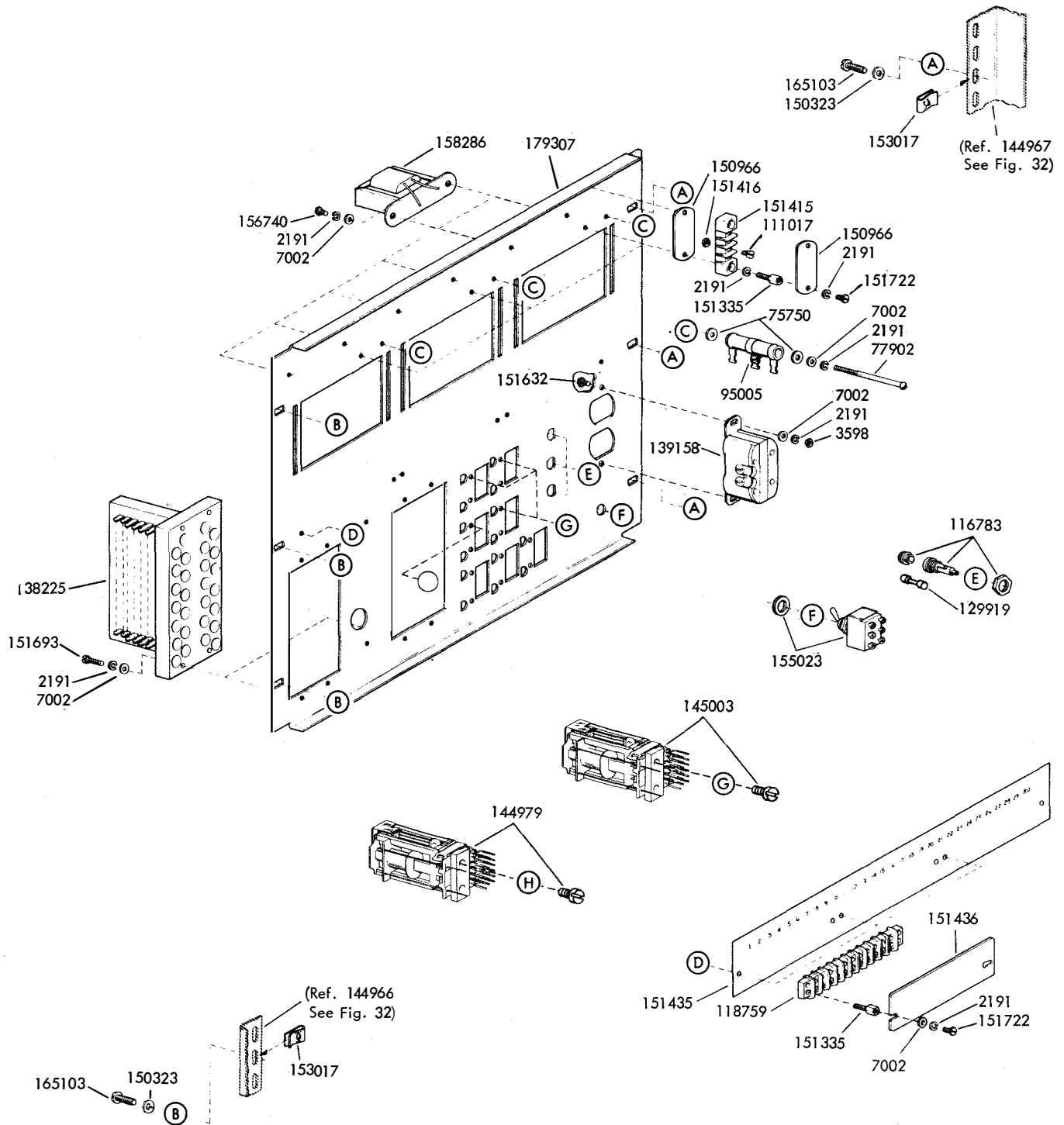


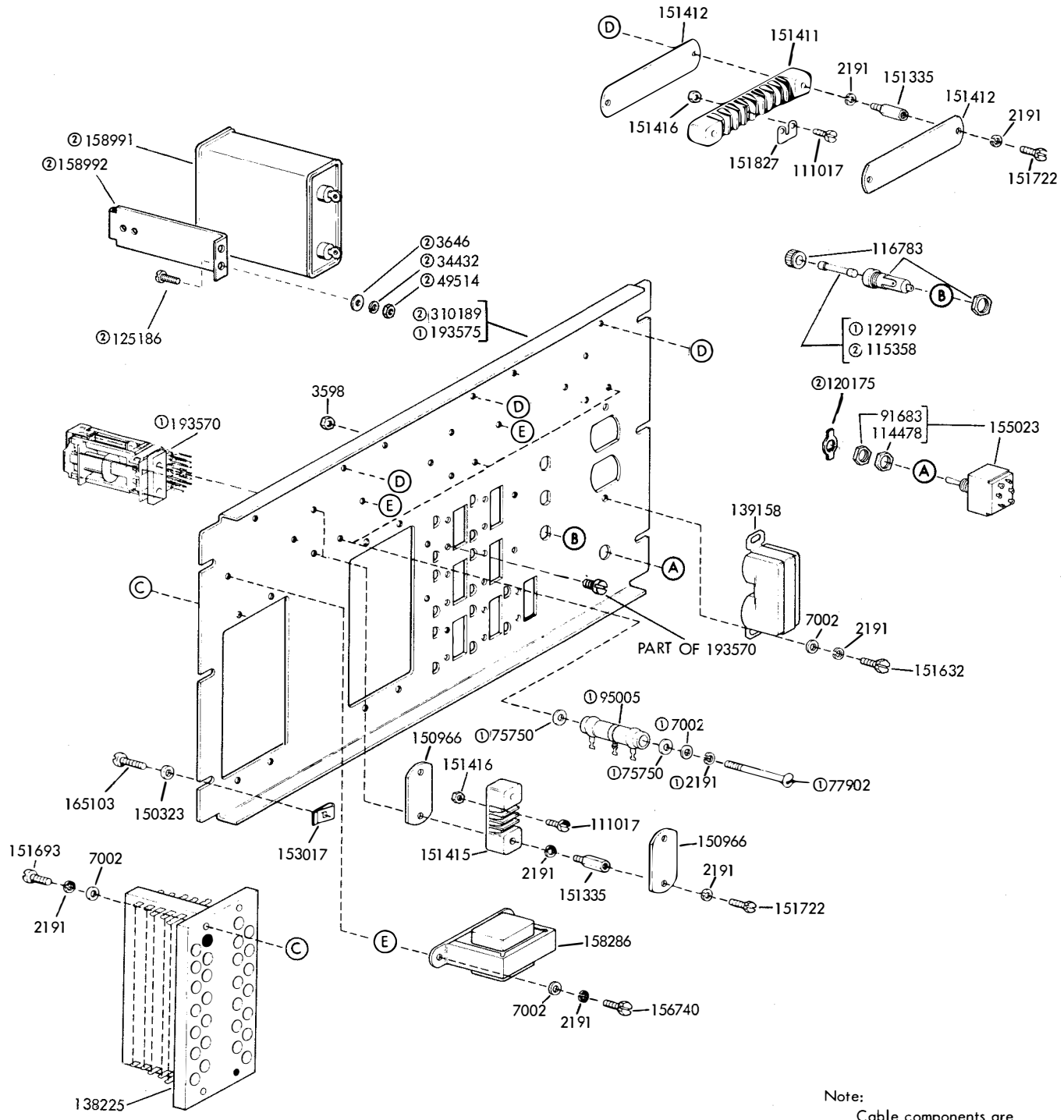
FIGURE 36. 195395 MOUNTING PLATE ASSEMBLY



Note:
Cable components are
found on Fig. 51.

Component;
177010 Selector Magnet Driver (See Fig. 49)

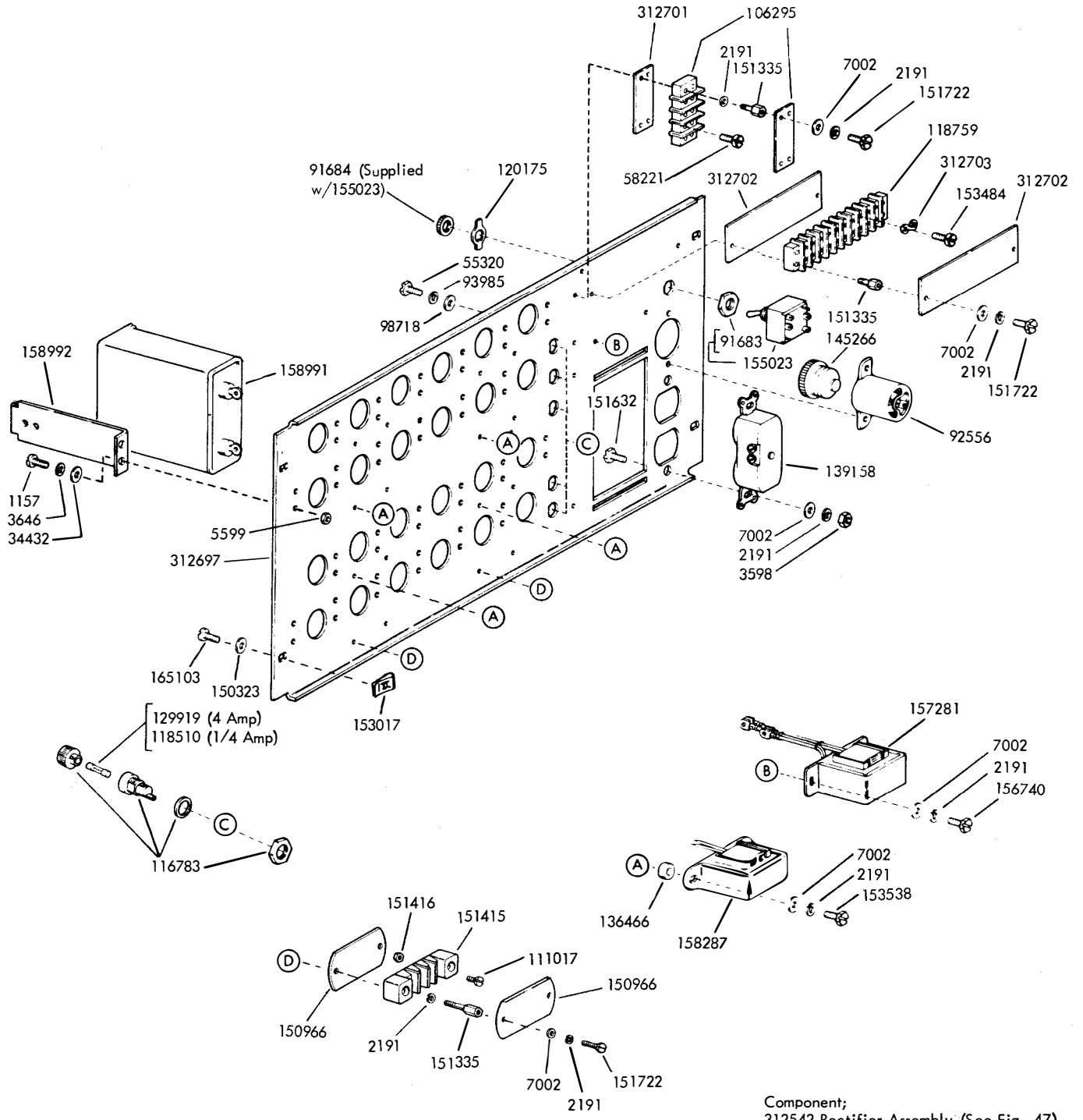
FIGURE 37. 179373 ELECTRICAL SERVICE PANEL ASSEMBLY



Note:
Cable components are
Found on Fig. 51.

- Components;
 193569 Selector Magnet Driver (See Fig. 43)
 310084 Selector Magnet Driver (See Fig. 45)
 ① Peculiar to the 193568
 ② Peculiar to the 310083

FIGURE 38. 193568 AND 310083 ELECTRICAL SERVICE PANEL ASSEMBLIES



Component;
312542 Rectifier Assembly (See Fig. 47)

Note:
Cable components are
found on Fig. 51.

FIGURE 39. 312696 ELECTRICAL SERVICE PANEL ASSEMBLY

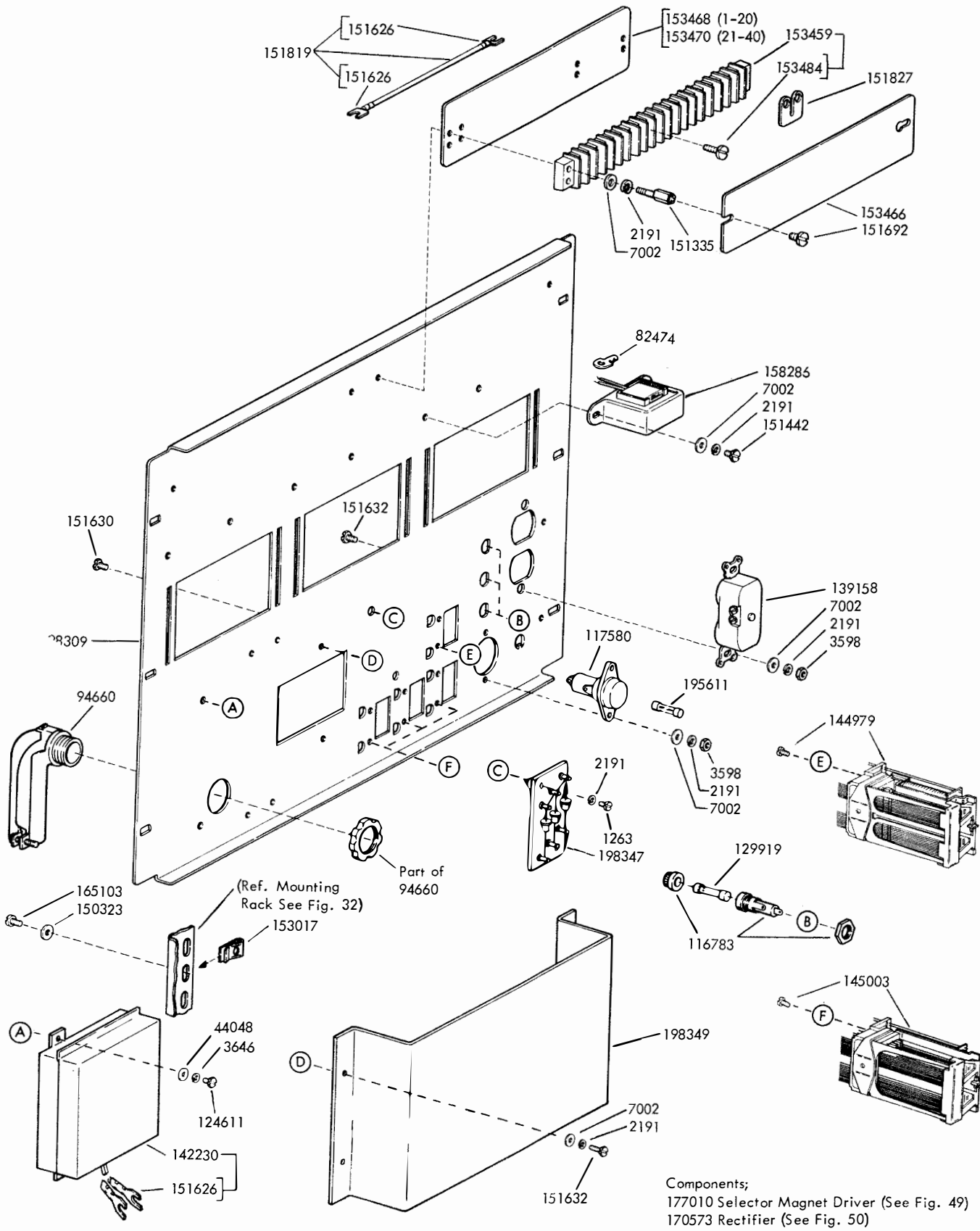
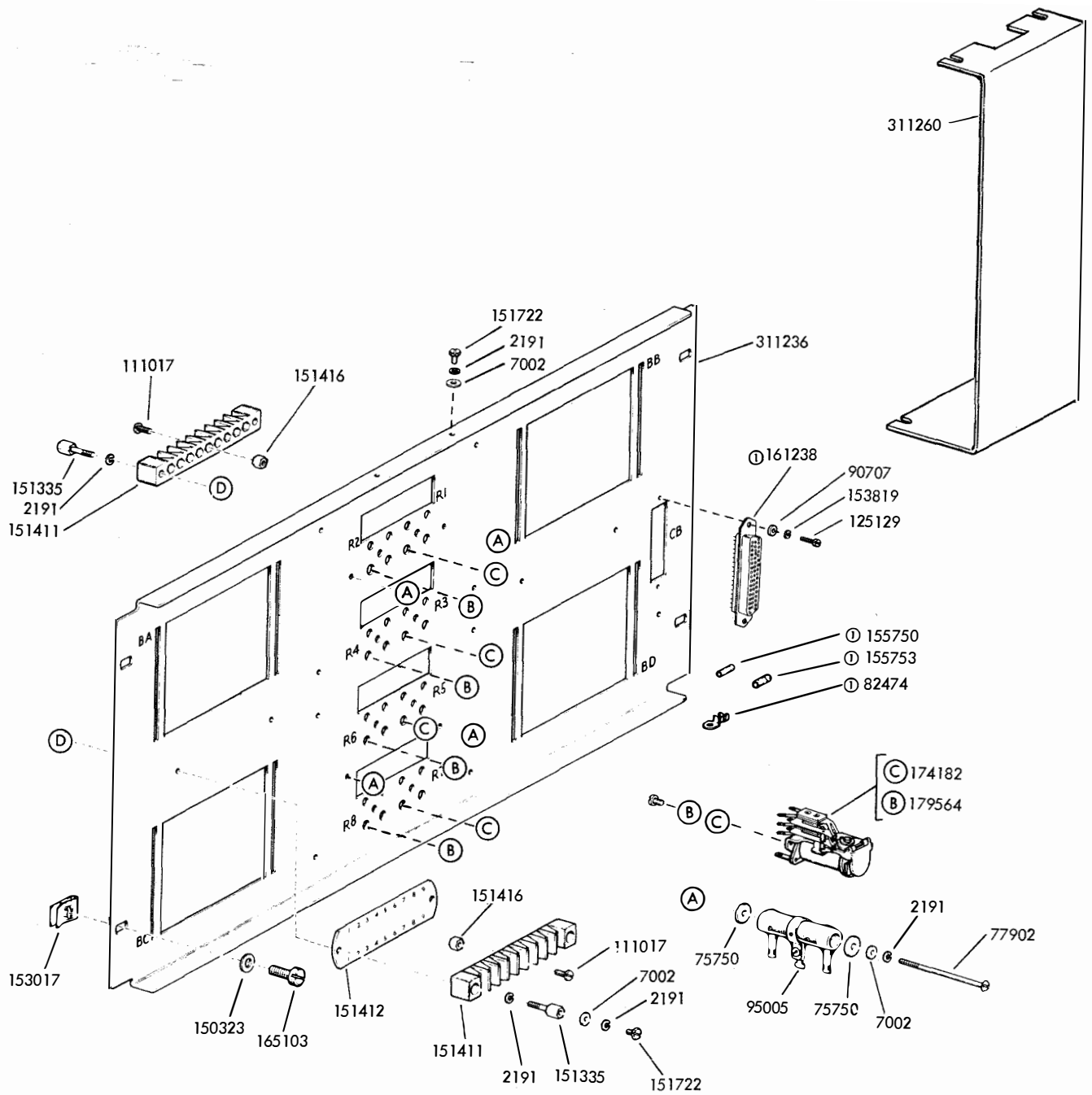


FIGURE 40. 198306 ELECTRICAL SERVICE PANEL ASSEMBLY



ⓐ Part of 311233 Cable Assembly Component;
 192669 Selector Magnet Driver (See Fig. 49)

FIGURE 41. 311229 ELECTRICAL SERVICE PANEL ASSEMBLY

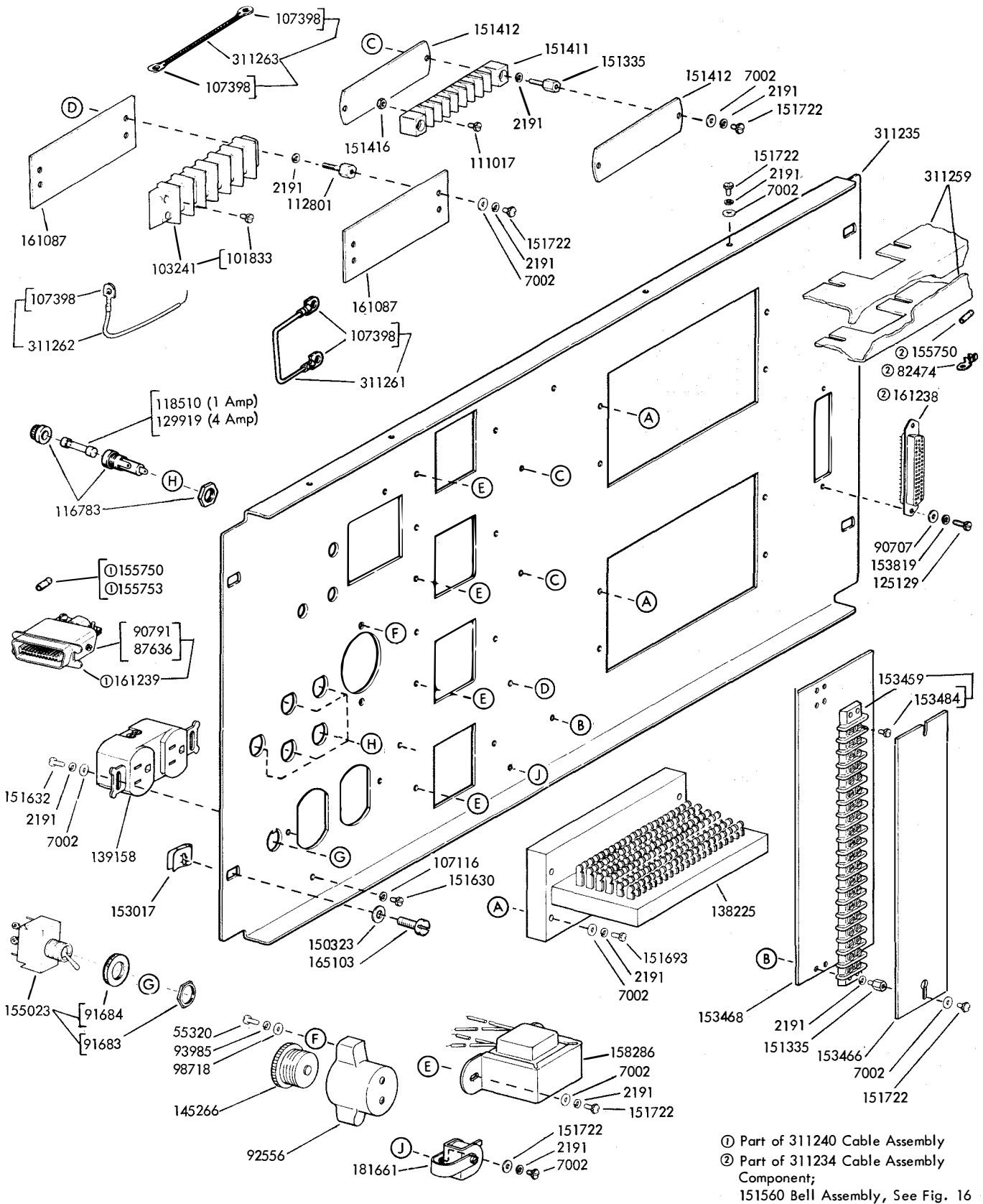
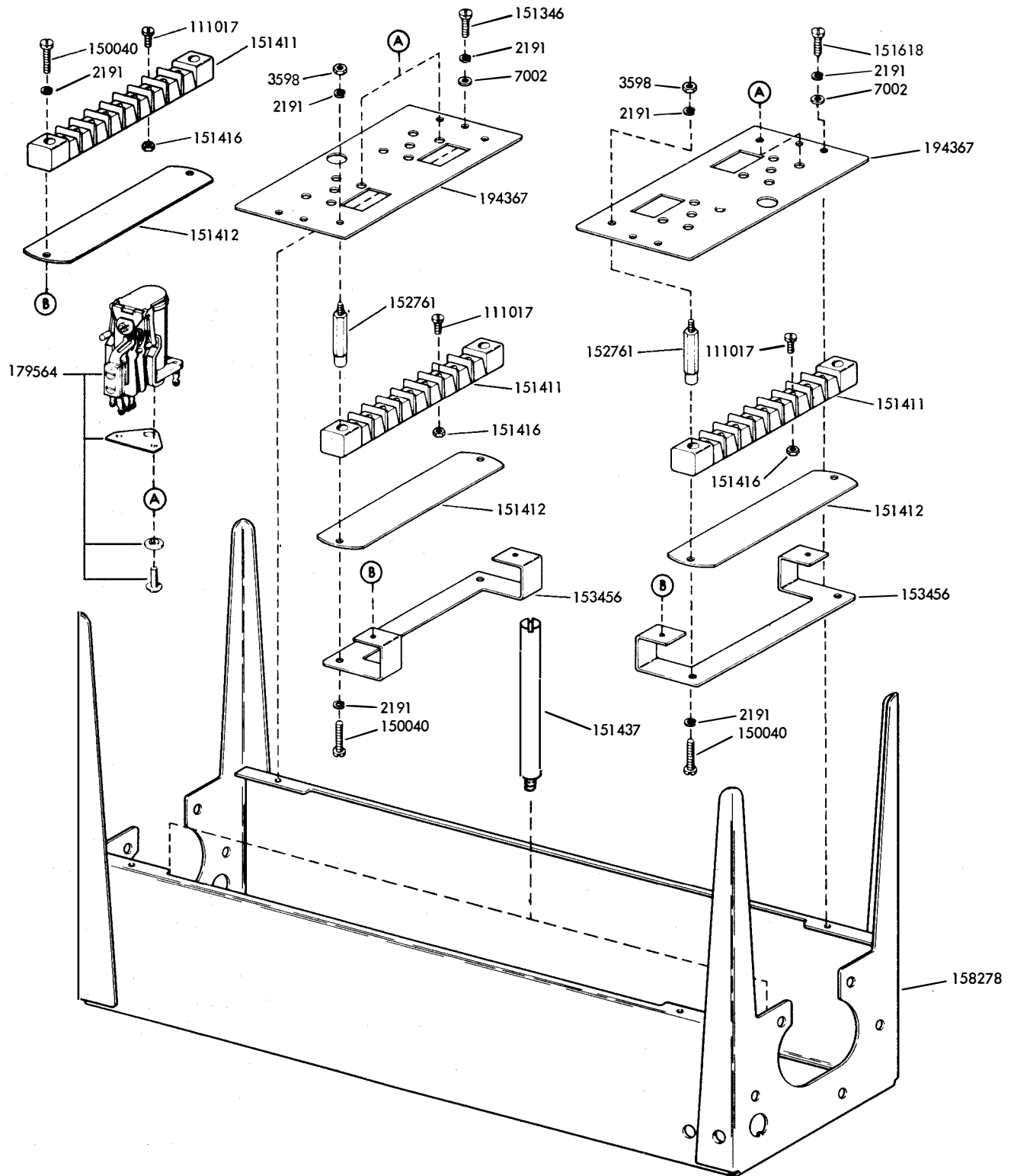


FIGURE 42. 311229 ELECTRICAL SERVICE PANEL ASSEMBLY (Continued)



Components;
 192669 Selector Magnet Driver Assembly (See Fig. 49)
 194369 Selector Magnet Driver Assembly (See Fig. 49)

FIGURE 43. 193569 SELECTOR MAGNET DRIVER MOUNTING ASSEMBLY

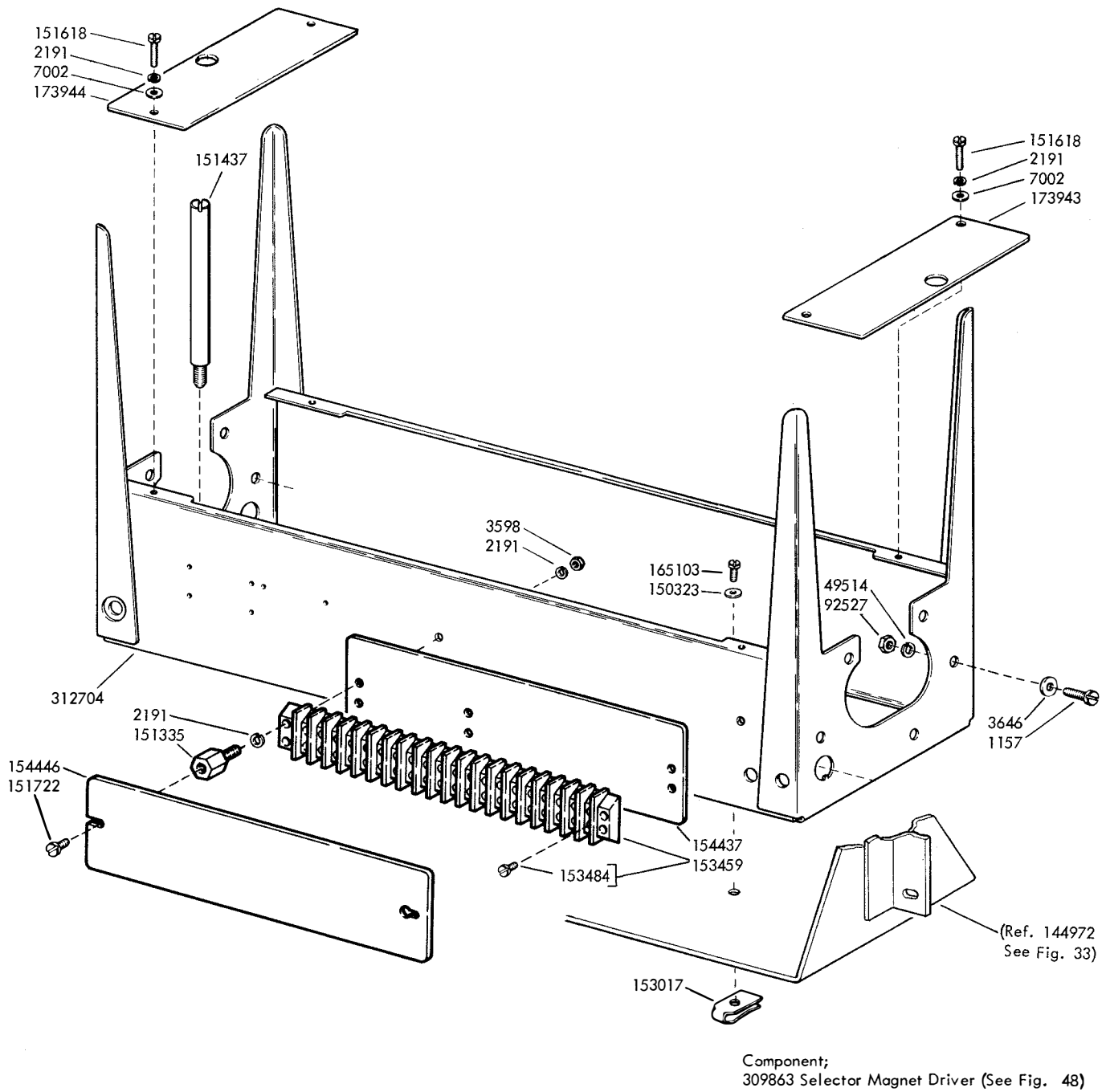


FIGURE 44. 312698 SELECTOR MAGNET DRIVER MOUNTING ASSEMBLY

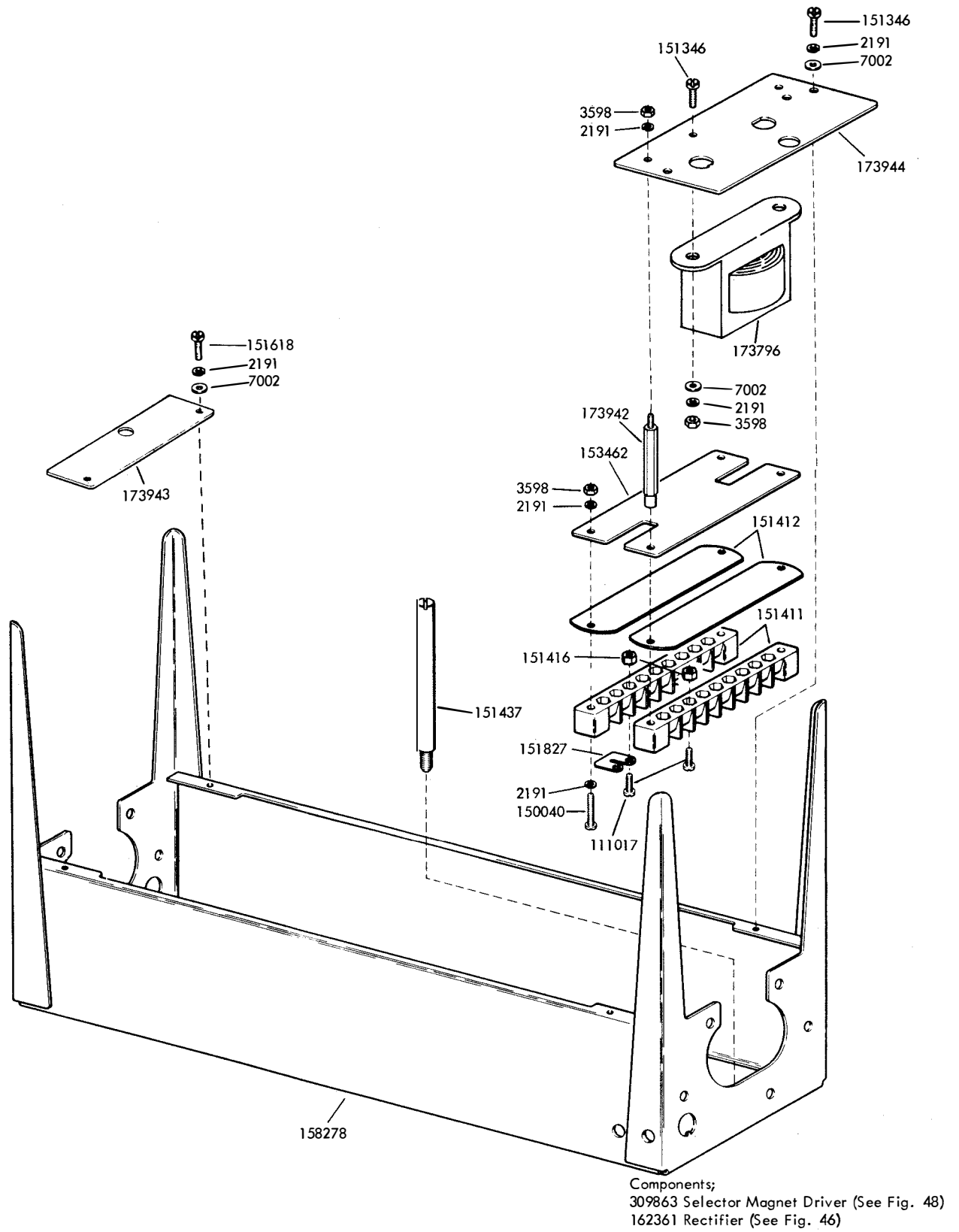
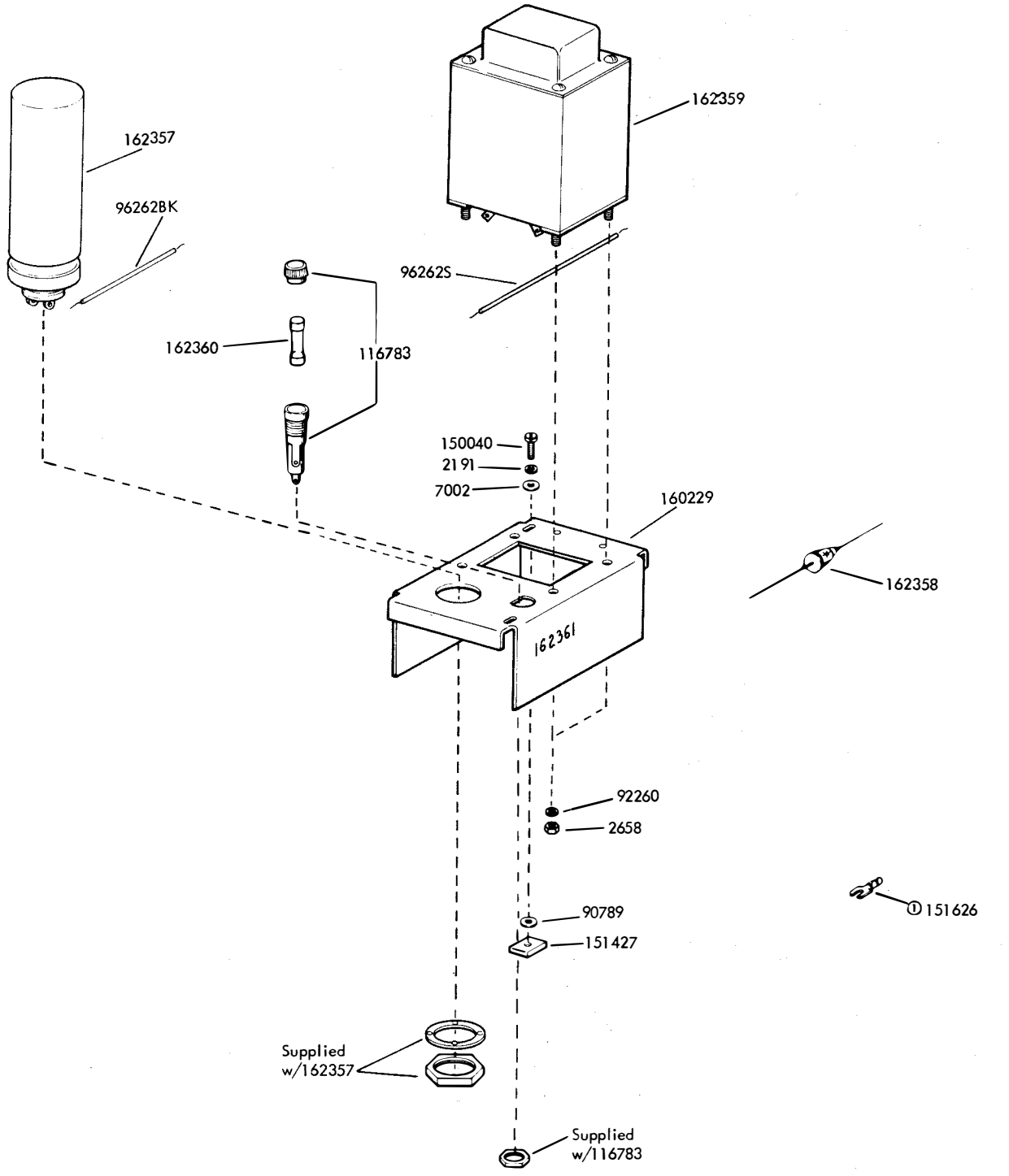


FIGURE 45. 310084 SELECTOR MAGNET DRIVER MOUNTING ASSEMBLY



①Part of 153477 Cable

FIGURE 46. 162361 RECTIFIER ASSEMBLY

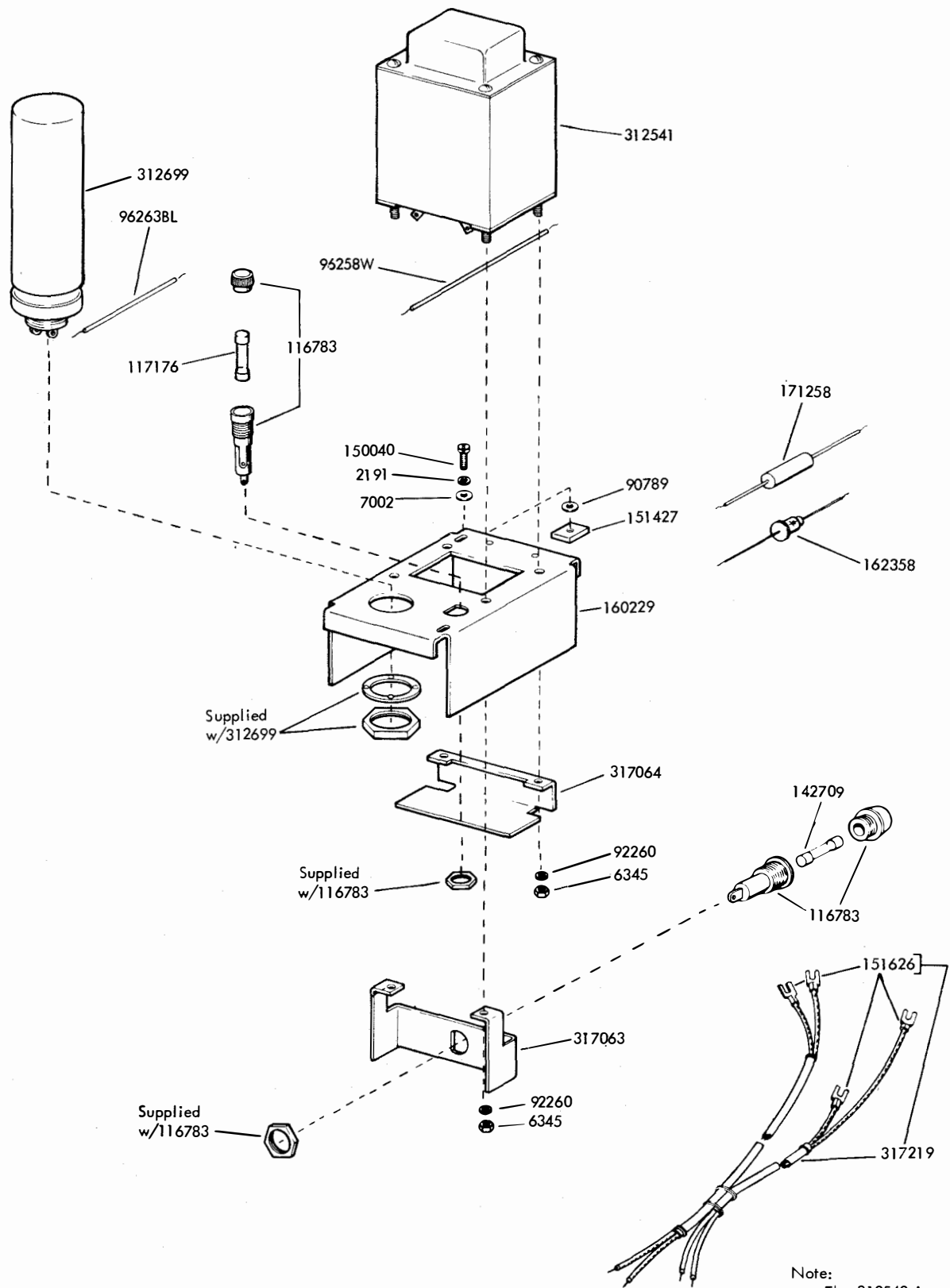


FIGURE 47. 312542 RECTIFIER ASSEMBLY

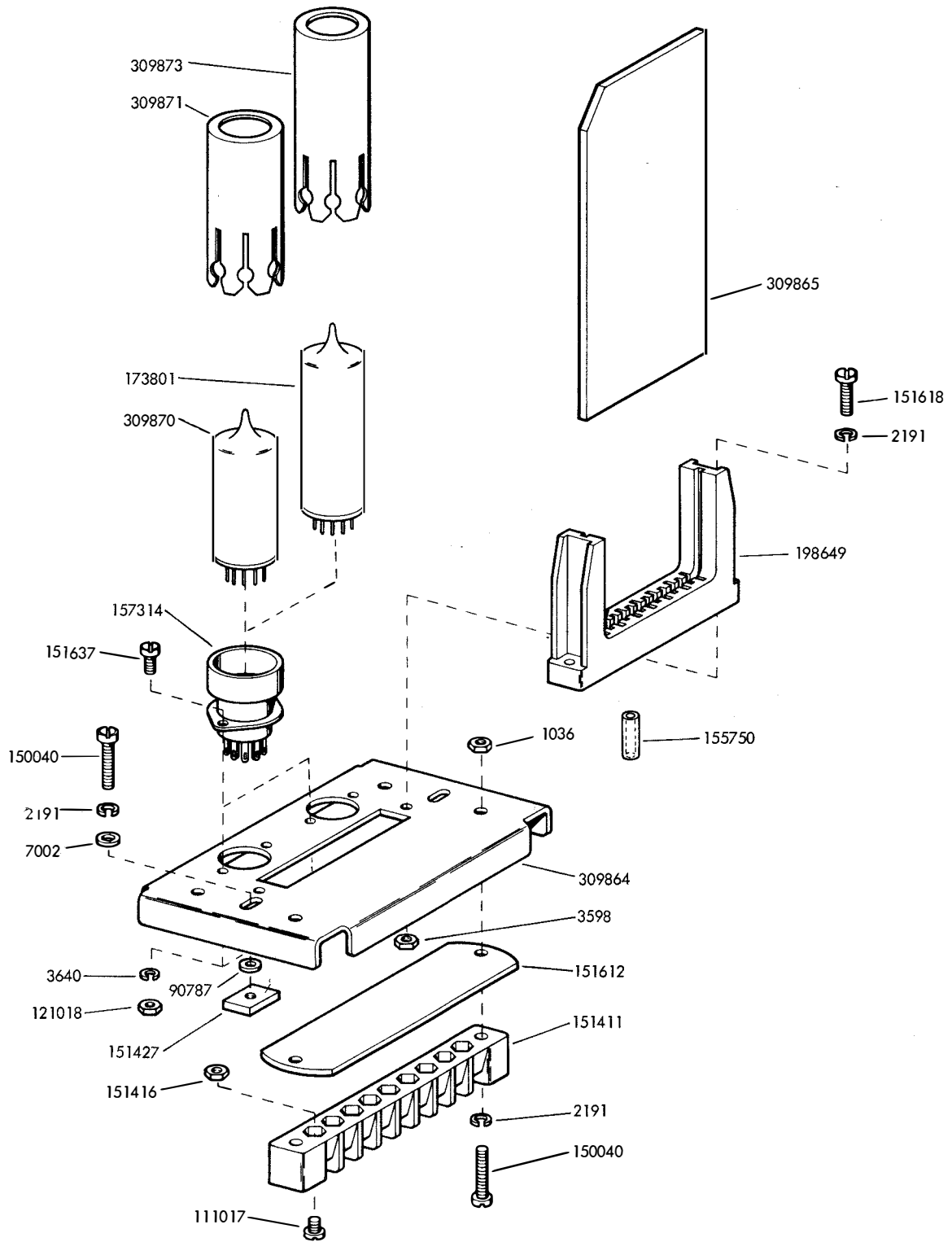
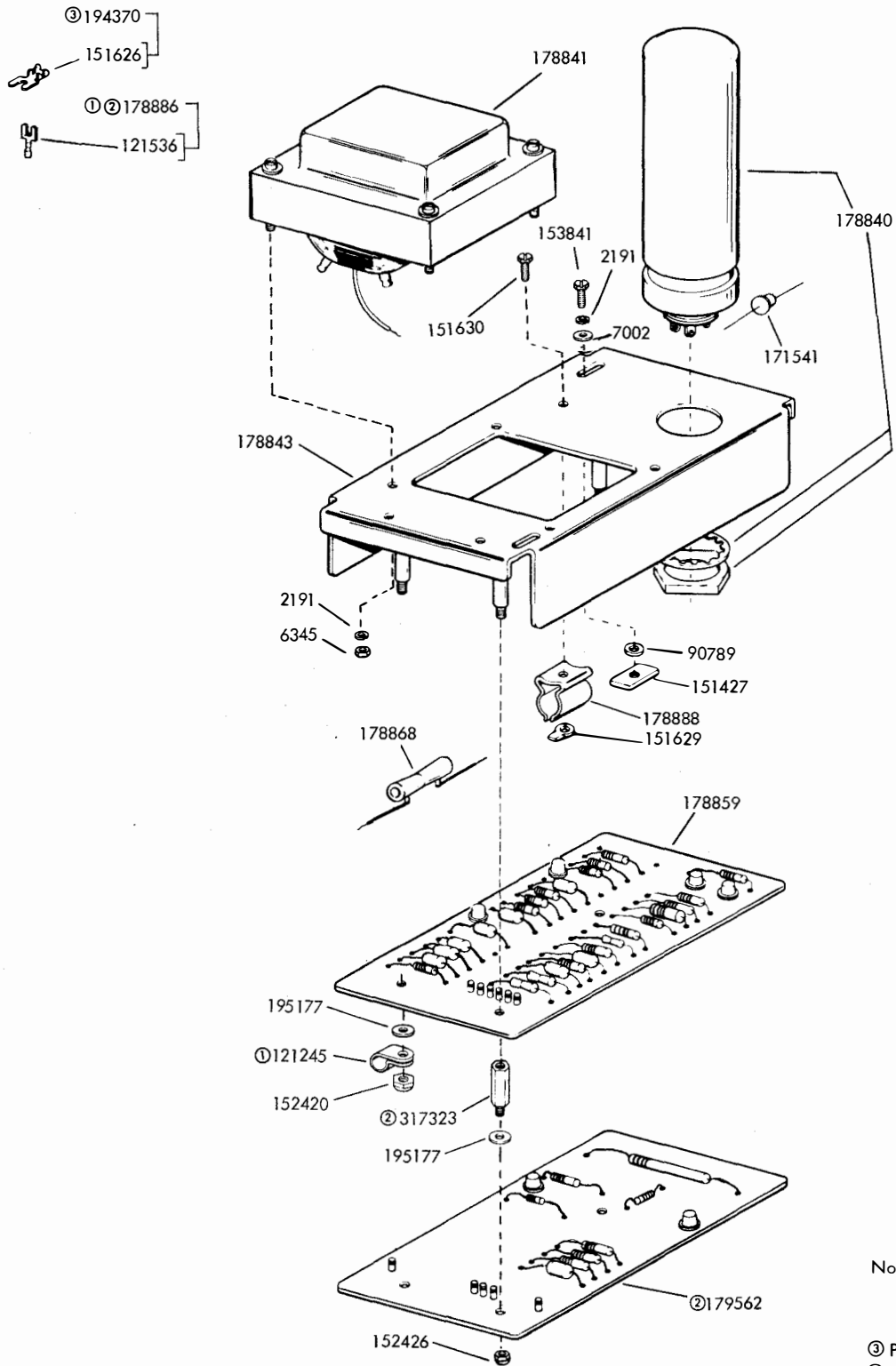


FIGURE 48. 309863 SELECTOR MAGNET DRIVER ASSEMBLY



Note:
Cable components are
Found on Fig. 51.

- ③ Peculiar to the 194369
- ② Peculiar to the 192669
- ① Peculiar to the 177010

FIGURE 49. 177010, 192669 AND 194369 SELECTOR MAGNET DRIVER ASSEMBLIES

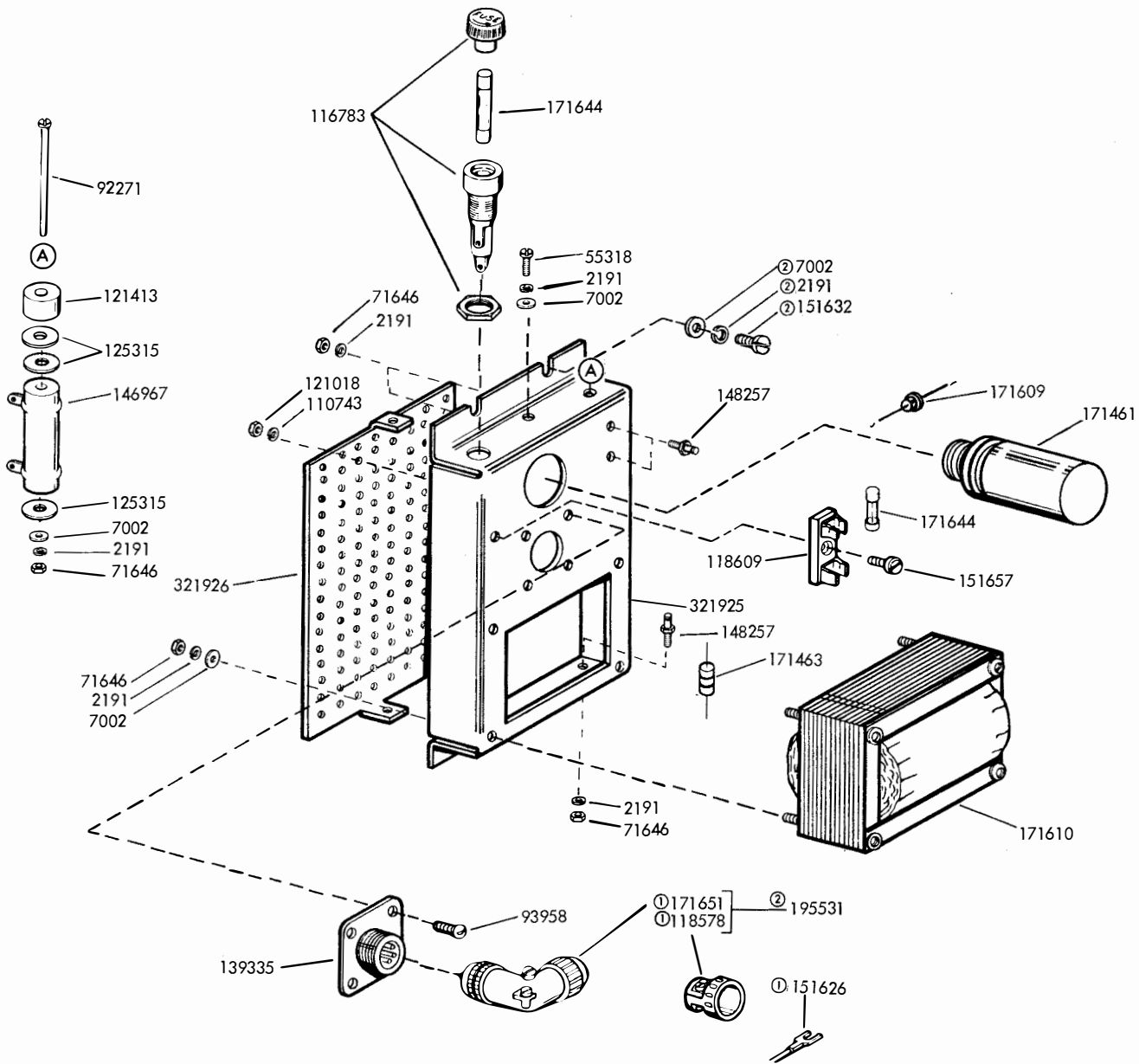




FIGURE 50. 170573 RECTIFIER ASSEMBLY



CABLE CLAMP		
Part Number	Width	I.D.
121242	3/8"	1/8"
121243	3/8"	3/16"
121244	3/8"	1/4"
121245	3/8"	5/16"
121246	3/8"	3/8"
121247	3/8"	7/16"
121248	3/8"	1/2"
121249	1/2"	5/8"
121250	1/2"	3/4"
121251	1/2"	1"



INSULATING SLEEVE		
Part Number	Length	I.D.
155750	1/2"	3/32"
155751	1"	1/8"
155752	1/2"	5/64"
155753	1/2"	1/8"
155754	1/2"	1/16"
155755	5/8"	11/64"
181892	1"	9/64"

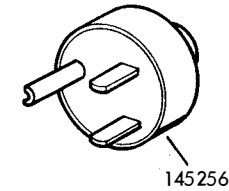
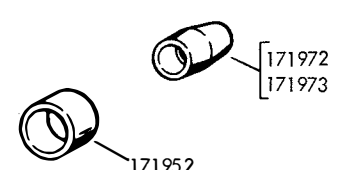
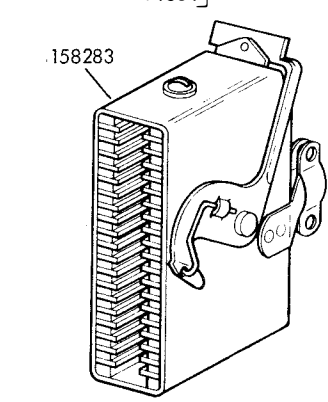
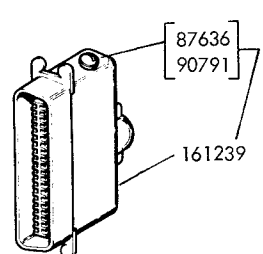
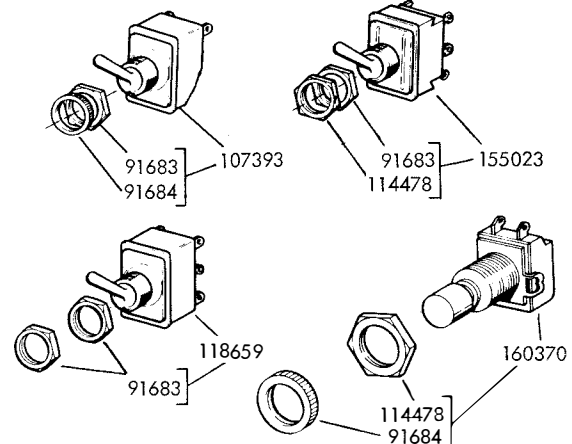
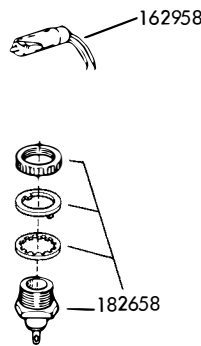
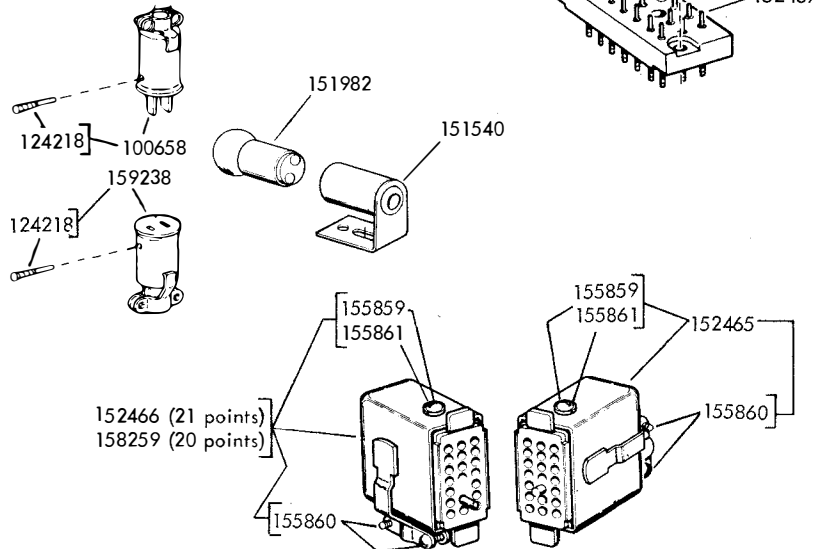
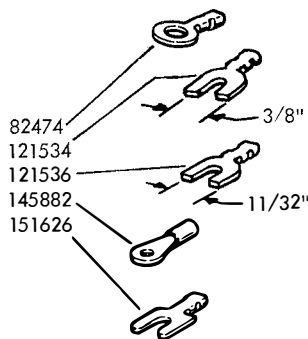
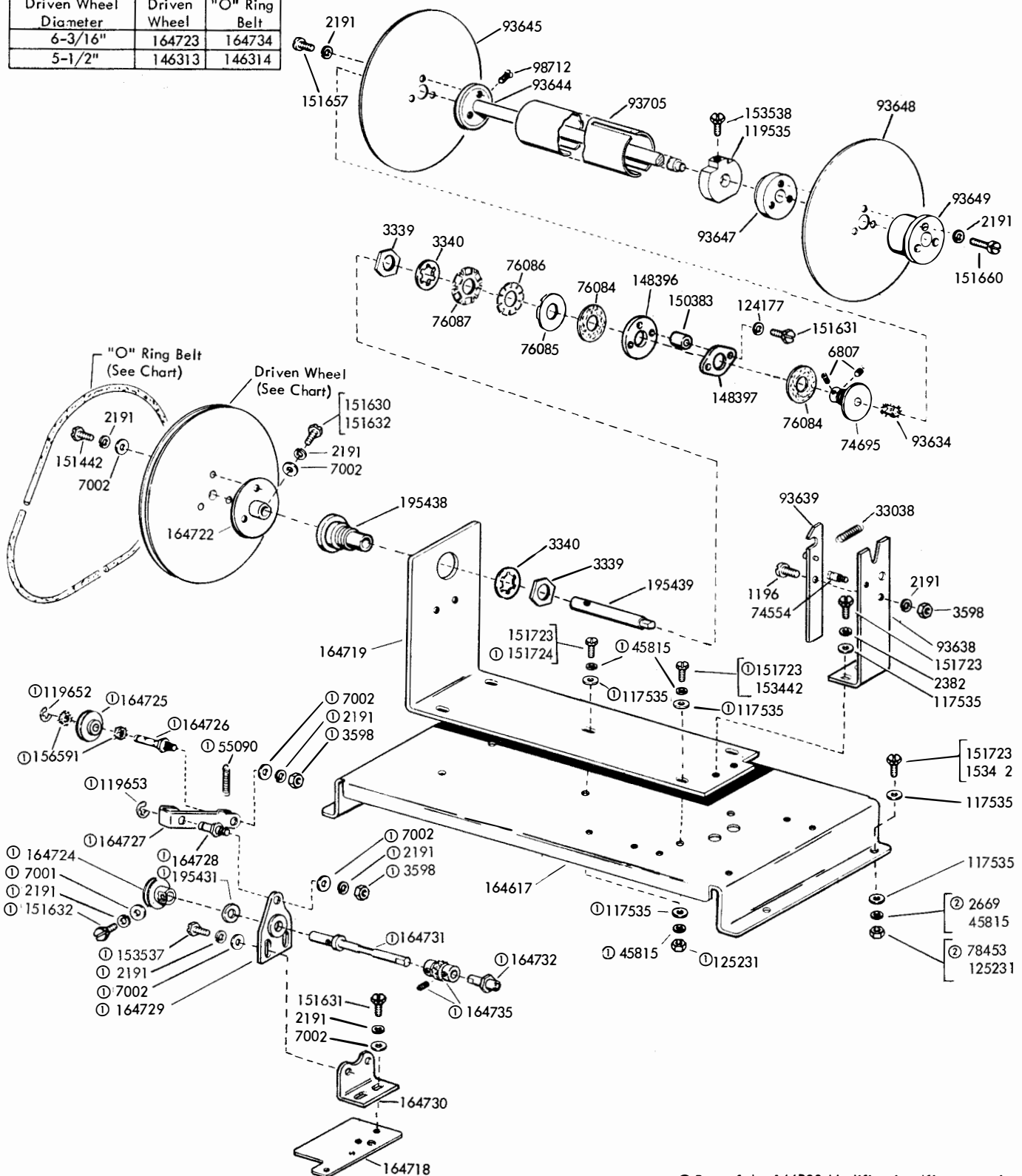


FIGURE 51. CABLE COMPONENTS

Driven Wheel Diameter	Driven Wheel	"O" Ring Belt
6-3/16"	164723	164734
5-1/2"	146313	146314



① Part of the 146320 Modification Kit, to equip cabinet shelf with a paper winder. Specification 59815.
 ② Used with 151723

FIGURE 52. 164925 MODIFICATION KIT: TO ADD PAPER WINDER

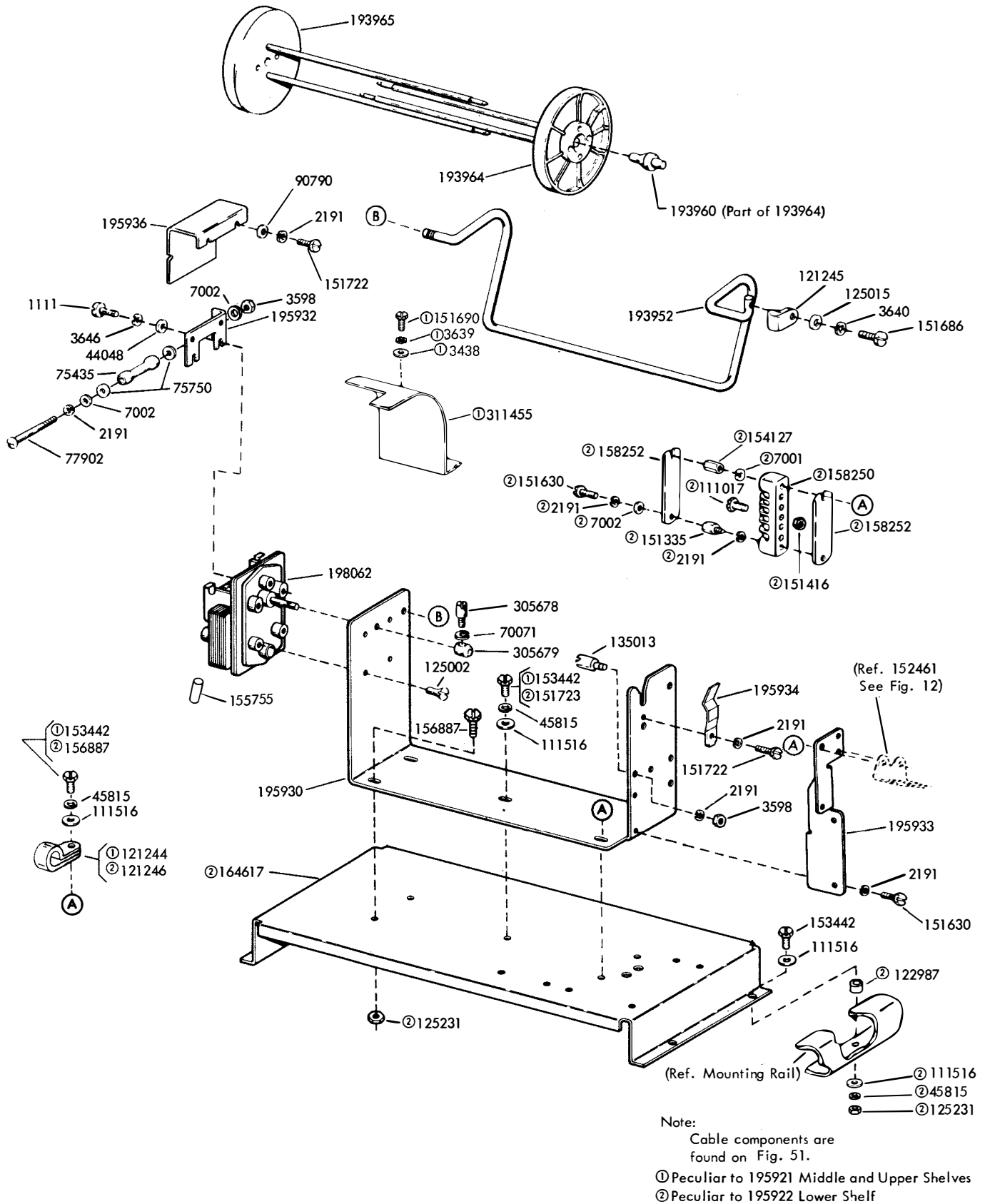
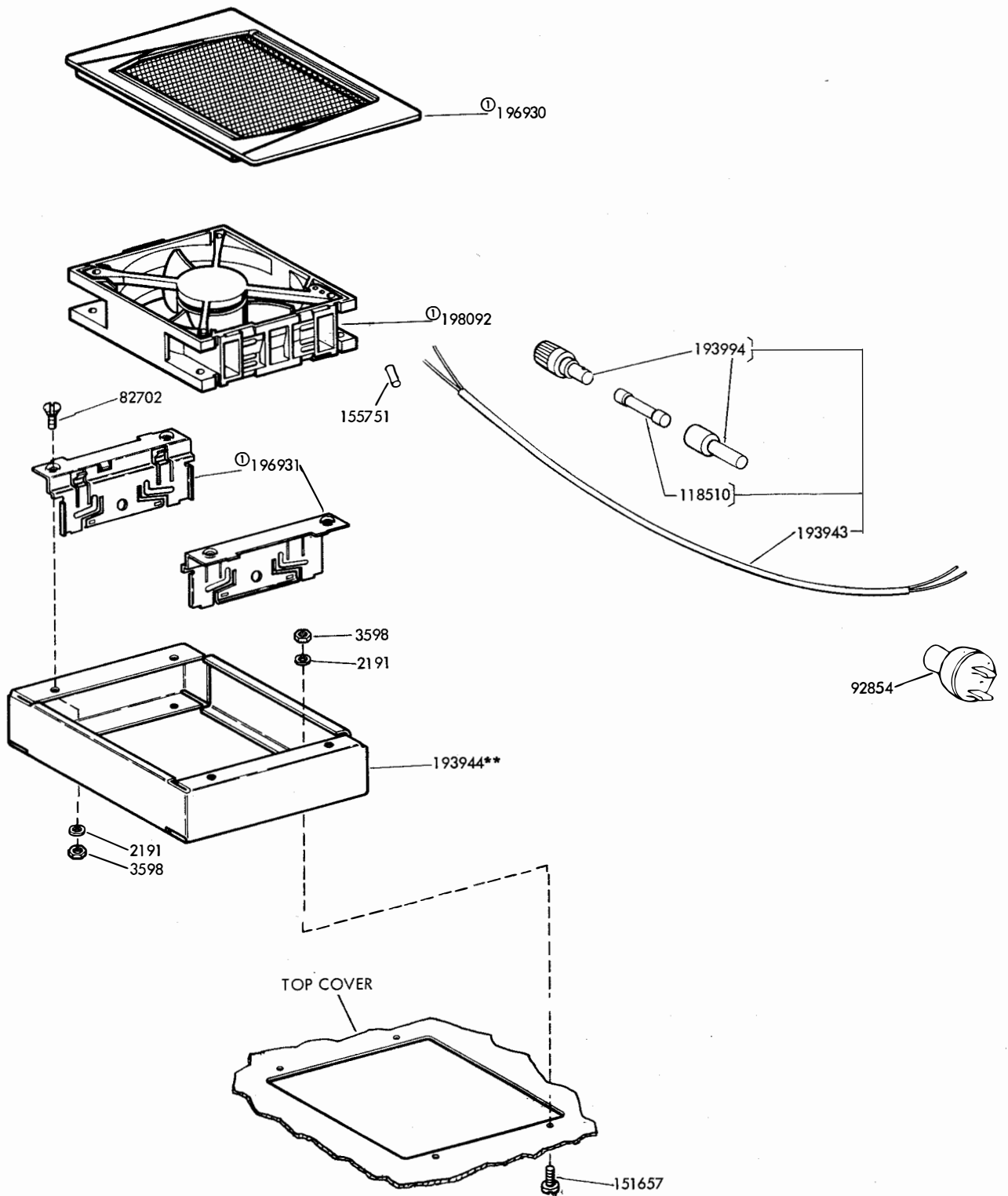


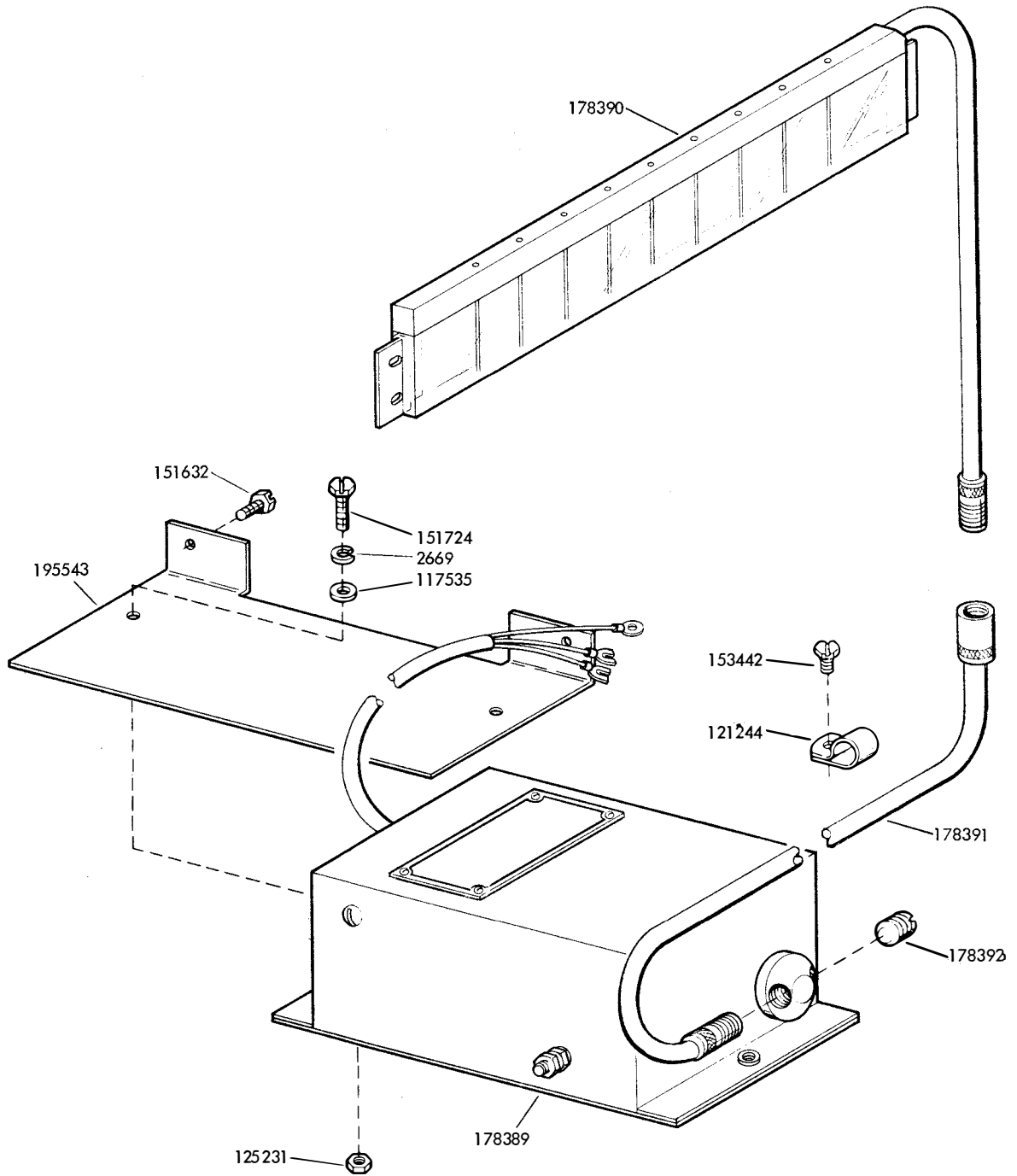
FIGURE 53. 195921 AND 195922 MODIFICATION KITS: TO ADD PAPER WINDING FACILITIES TO CABINETS



Specification 50101S

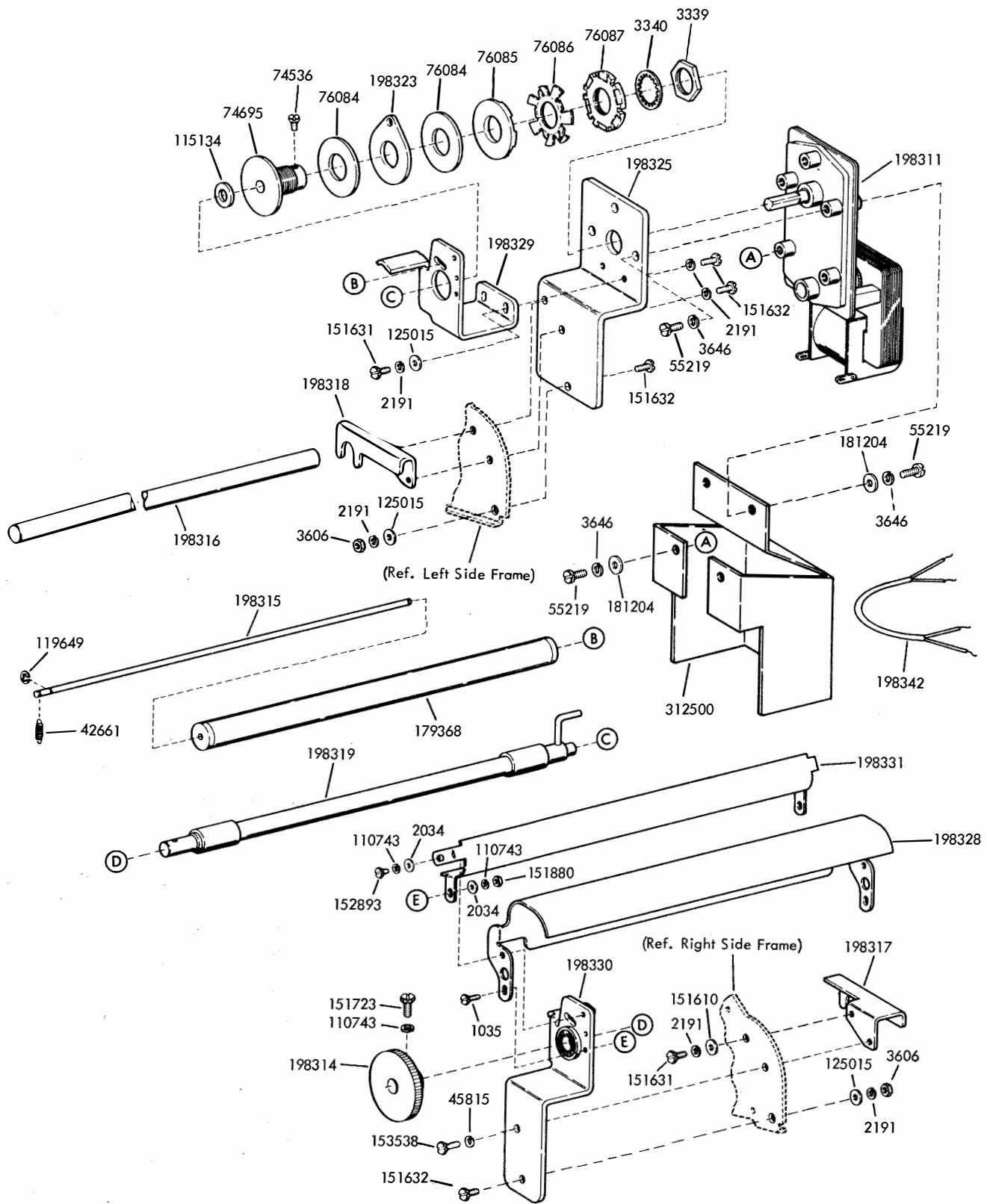
① Part of 193942 Fan Assembly
 **Refer to Page 1 for Finish Suffix.

FIGURE 54. 193941** MODIFICATION KIT: TO PROVIDE VENTILATION FOR CABINETS



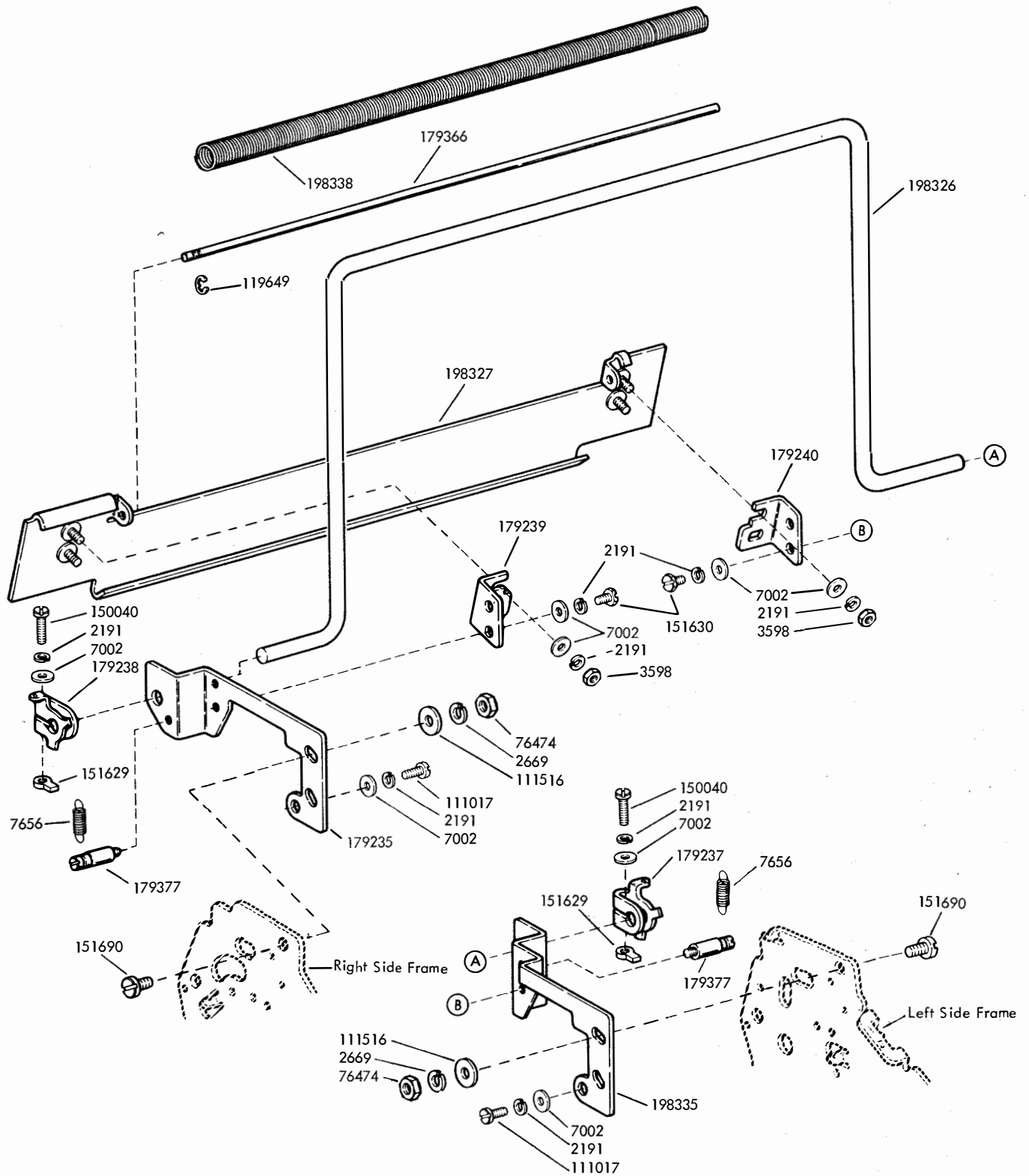
Specification 502075

FIGURE 55. 195540 MODIFICATION KIT: TO PROVIDE STATIC ELIMINATOR TO NEUTRALIZE ELECTROSTATIC CHARGE.ON PAGE COPY



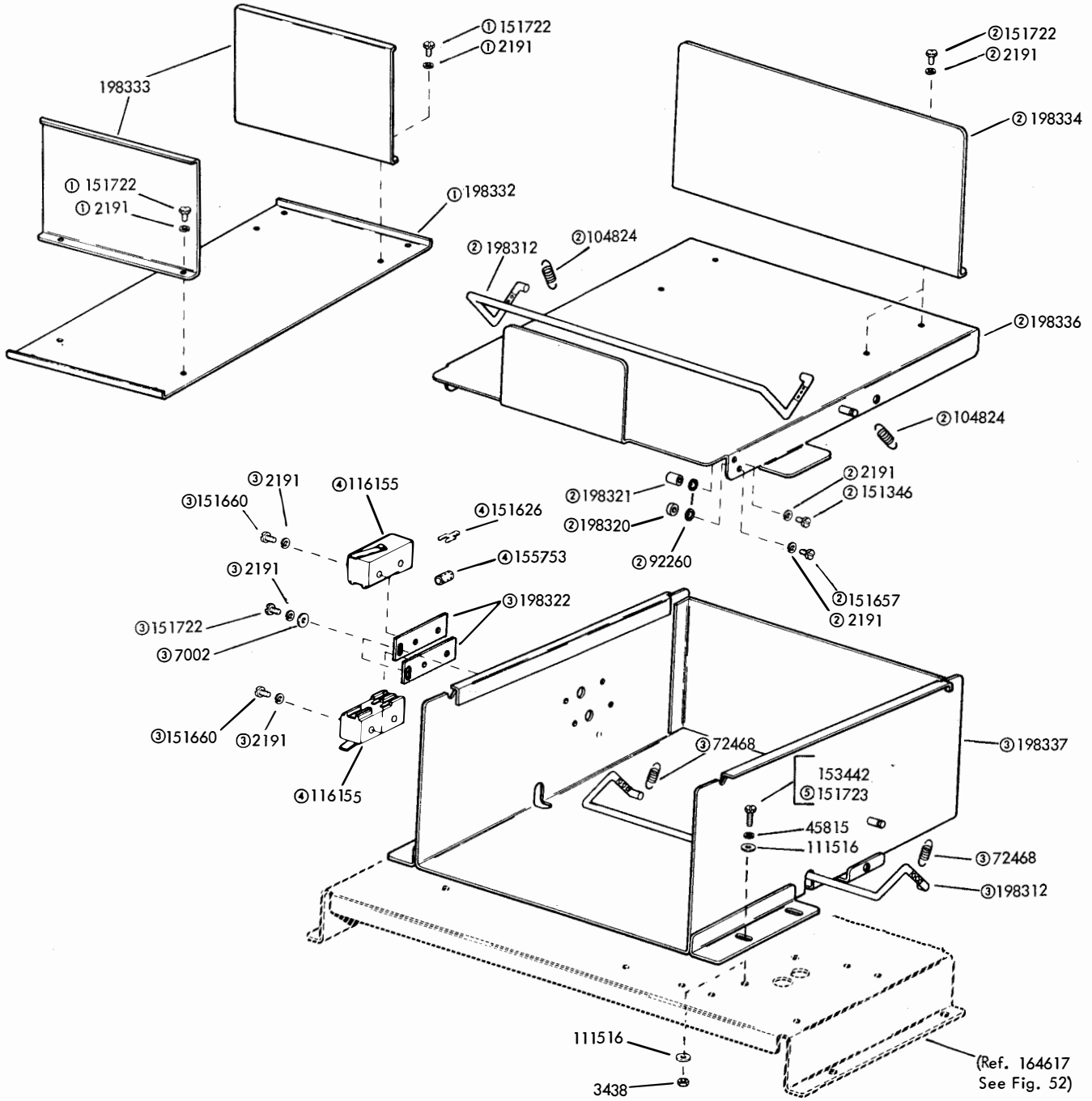
Specification 50244S

FIGURE 56. 198310 MODIFICATION KIT: TO PROVIDE FACILITIES FOR SPROCKET FEED PAPER



Specification 502445

FIGURE 57. 198310 MODIFICATION KIT: TO PROVIDE FACILITIES FOR SPROCKET FEED PAPER (Continued)



- ① Part of 198343 Paper Tray Assembly
- ② Part of 198344 Shelf Assembly
- ③ Part of 198345 Paper Bin Assembly
- ④ Part of 198341 Cable Assembly
- ⑤ Used in Lowest mounting position Specification 502445

FIGURE 58. 198310 MODIFICATION KIT: TO PROVIDE FACILITIES FOR SPROCKET FEED PAPER (Continued)

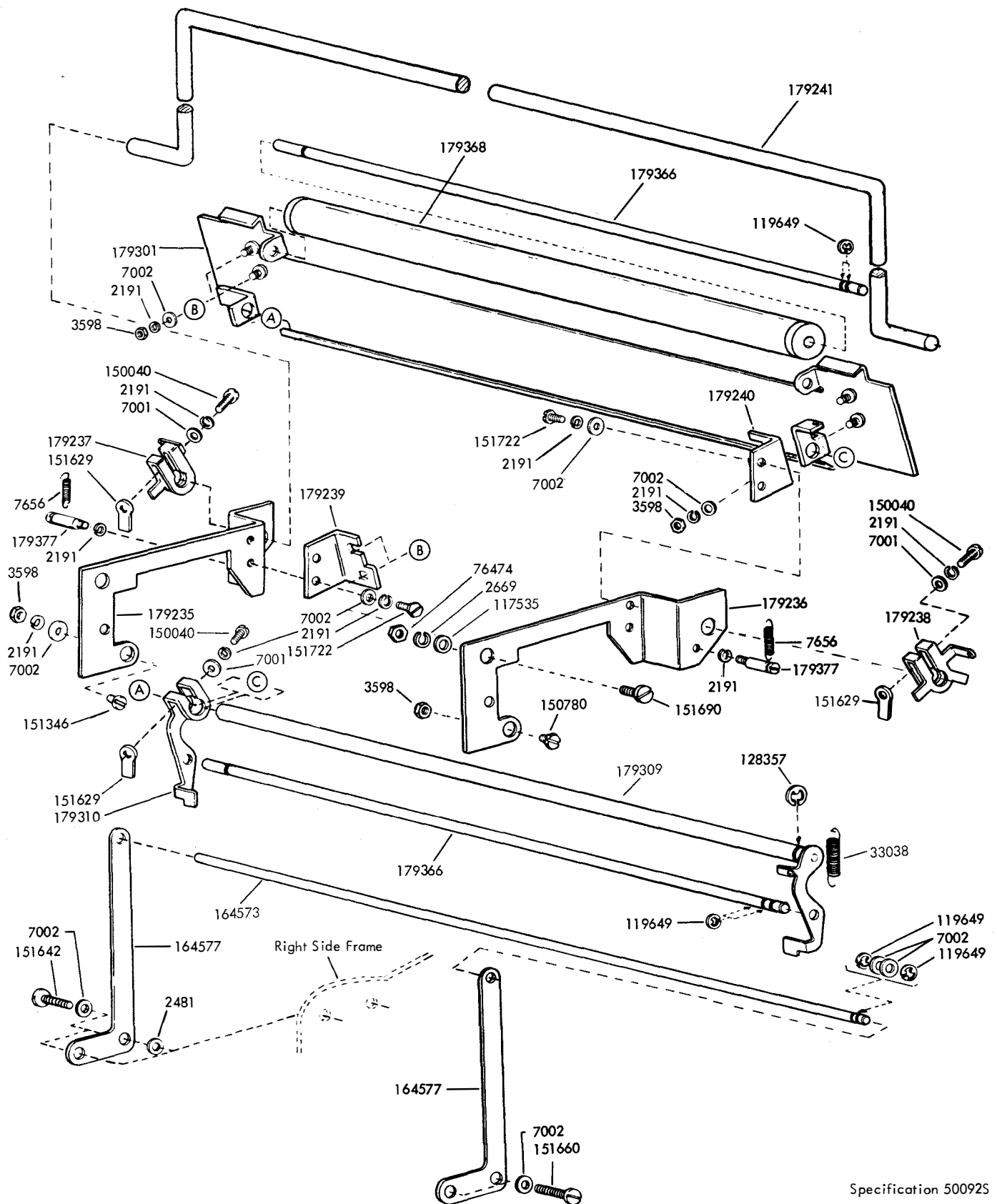
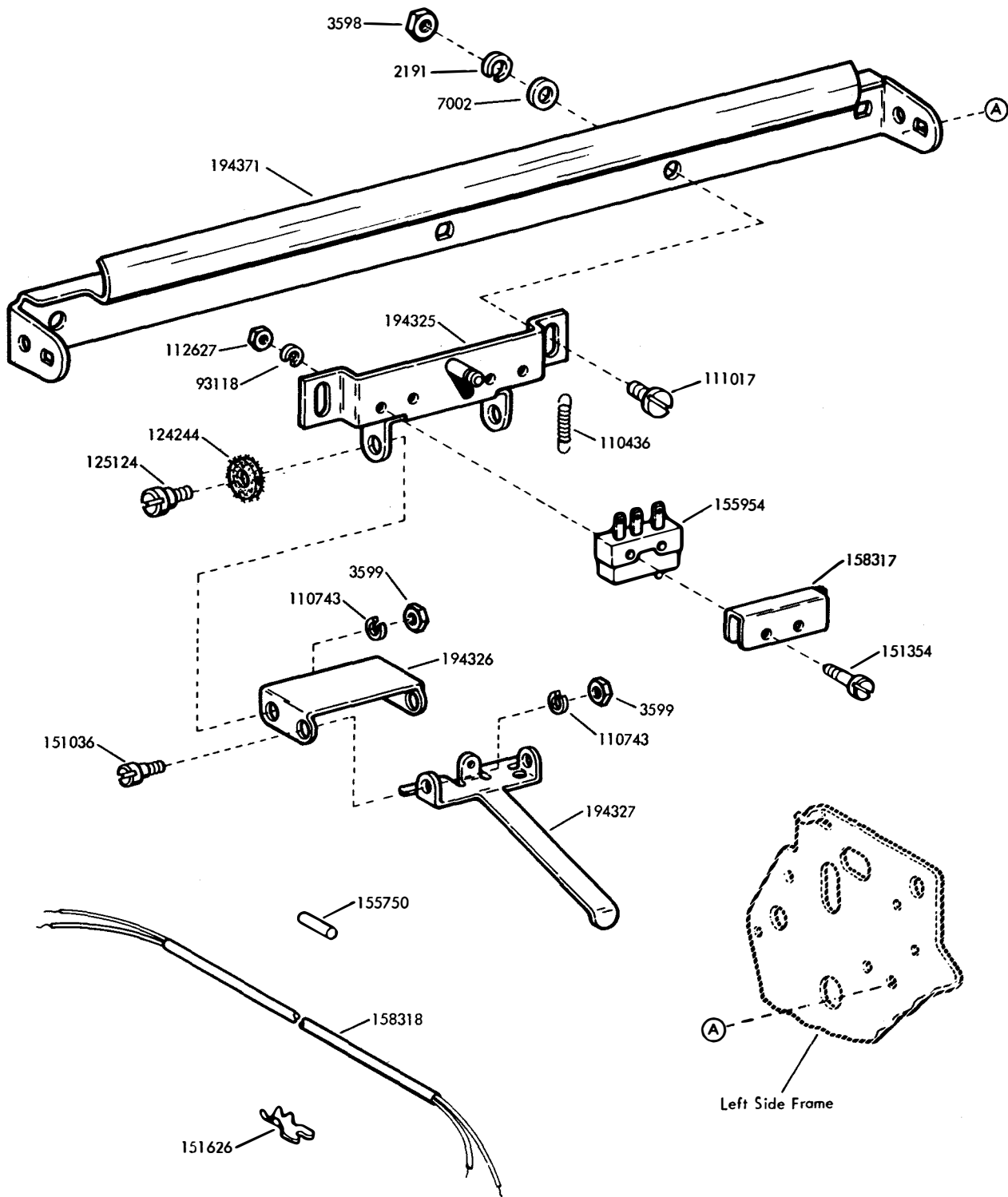


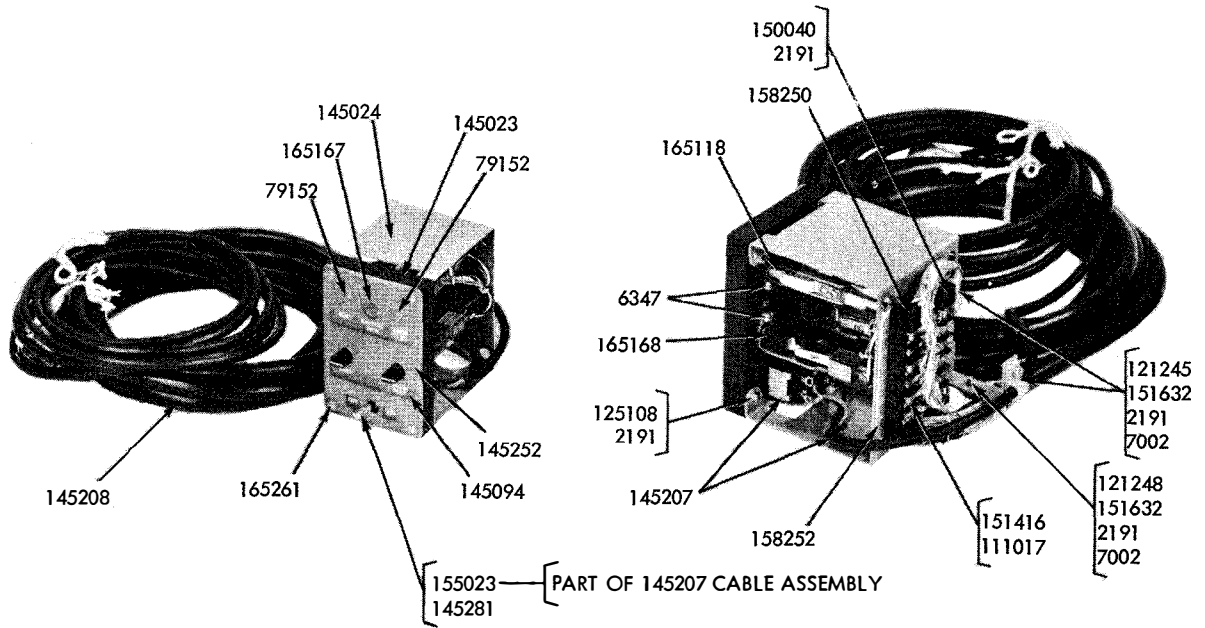
FIGURE 59. 179369 MODIFICATION KIT: TO PROVIDE COPY DISPLAY

Specification 500925



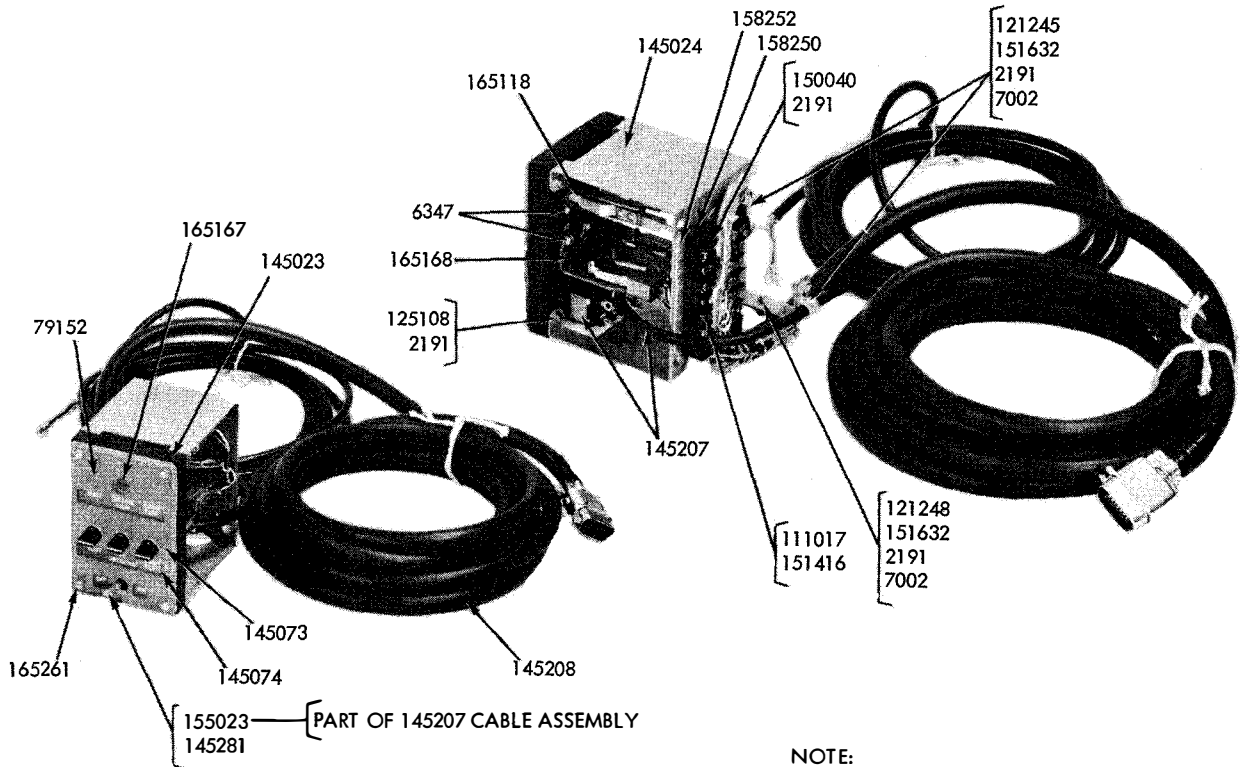
Specification 58885

FIGURE 60. 194324 MODIFICATION KIT: TO PROVIDE PAPER-OUT ALARM



NOTE:
MOUNT TO CABINET WITH 35551 SCREW

FIGURE 61. 145450 MODIFICATION KIT: TO PROVIDE KEY AND LAMP ASSEMBLY



NOTE:
MOUNT TO CABINET WITH 35551 SCREW

FIGURE 62. 145010 MODIFICATION KIT: TO PROVIDE KEY AND LAMP ASSEMBLY

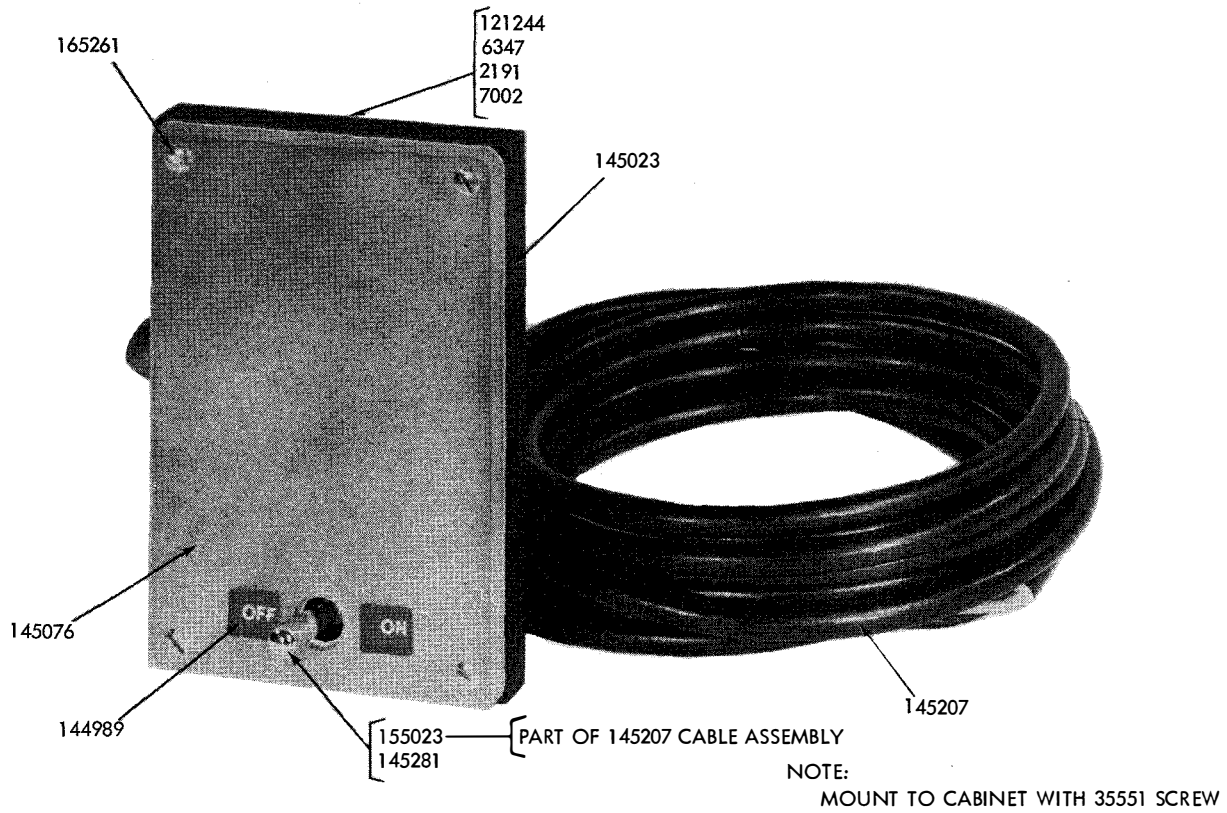


FIGURE 63. 145075 MODIFICATION KIT: TO PROVIDE KEY AND LAMP ASSEMBLY

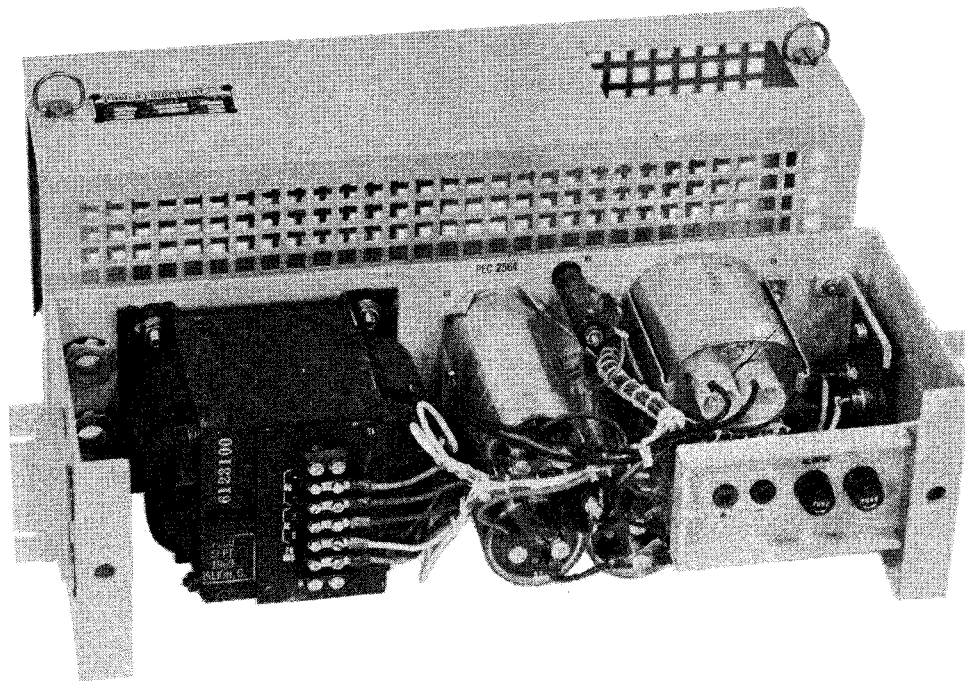


FIGURE 64. 145017 RECTIFIER-48 VOLTS D.C.

NUMERICAL INDEX

Part Number	Description and Page Number	Part Number	Description and Page Number	Part Number	Description and Page Number
247M	Coil, Magnet 16	41663	Washer, Flat 4	92260	Washer, Lock 40, 41, 52
1035	Screw, 4-40 x 3/8 Hex 50	42661	Spring 50	92271	Screw, 6-32 x 2-3/4 Rd 44
1036	Nut, 6-40 Hex 42	43954	Bell 16	92527	Washer, Lock 38
1111	Screw, 8-32 x 5/16 Fil 47	44048	Washer, Flat 28, 34, 47	92556	Receptacle 25, 33, 36
1118	Screw, 6-40 Shoulder 13	45815	Washer, Lock 10, 13, 14, 46, 47, 50, 52	92854	Connector, 2 Pt Plug 48
1157	Screw, 8-32 x 1/2 Fil 28, 32, 38	49514	Nut, 8-32 Hex 27, 28, 32, 38	93118	Washer, Lock 54
1196	Screw, 6-40 Shoulder 46	49653	Screw, 10-32 x 13/16 Fil 15	93130	Screw, 1/4-20 x 1/2 Hex 3, 4, 18
1248	Screw, 6-40 x 1/2 Flat 10, 27	55090	Spring 46	93191	Screw, 4-40 x 5/16 Flat 6
1253	Screw, 8-32 x 3/8 Rd 5, 6, 22	55219	Screw, 8-32 x 3/8 Fil 16, 50	93598	Screw, 4-40 x 5/16 Rd 44
1263	Screw, 6-32 x 1/4 Fil 34	55309	Screw, 6-32 x 1/2 Oval 22, 23 25	93634	Wick, Felt 46
1264	Screw, 10-32 x 1/2 Flat 7, 8, 18	55318	Screw, 6-32 x 1/4 Rd 44	93638	Bracket, Bearing 46
2034	Washer, Flat 50	55320	Screw, 8-32 x 7/16 Rd 25, 33, 36	93639	Latch w/Post 46
2191	Washer, Lock 3, 4, 5, 8, 10 to 25, 27 to 44, 46, 47, 48, 50 to 56	58221	Screw, 6-32 x 1/4 Fil 33	93644	Shaft 46
2382	Washer, Lock 46	70071	Washer, Lock 47	93645	Spindle, Left Paper 46
2449	Washer, Lock 3, 4, 9, 11, 12, 17, 18, 21	71646	Nut, 6-32 Hex 44	93647	Hub, Right Paper Spindle 46
2481	Washer, Flat 53	72468	Spring 52	93648	Spindle, Right Paper 46
2658	Nut, 6-32 Hex 40	73572	Screw, 1/4-20 x 1 Hex 9	93649	Knob 46
2669	Washer, Lock 3, 4, 7, 8, 9, 11, 12, 15, 16, 17, 18, 21, 24, 25, 26, 46, 49, 51, 53	74536	Screw, 6-40 Set 50	93705	Cylinder, Paper Spindle 46
2846	Washer, Flat 3, 4, 11, 12, 17, 18, 21	74554	Post, Spring 46	93984	Washer, Lock 25
3339	Nut, 9/16-32 Hex 46, 50	74695	Sleeve, Clutch 46, 50	93985	Washer, Lock 25, 33, 36
3340	Washer, Lock 46, 50	74805	Screw, 10-32 x 3/4 Hex 15	94072	Bushing 15
3438	Washer, Flat 3, 4, 12, 15, 16, 17, 22, 47, 52	75207	Screw, 8-32 x 1-5/8 Fil 12	94660	Connector 34
3595	Nut, 1/4-32 Hex 21	75435	Resistor, 600 Ohm 47	95005	Resistor, 2, 500 Ohm 31, 32, 35
3598	Nut, 6-40 Hex 4, 10, 11, 13, 17, 19, 20, 22, 23, 27, 29 to 34 37, 38, 39, 42, 46, 47, 48, 51, 53, 54	75750	Washer, Insulating 31, 32, 35, 47	95281	Screw, 10-24 x 3/8 Fil 9, 18
3599	Nut, 4-40 Hex 3, 19, 54	76084	Washer, Felt 46, 50	96258W	Jumper, 3" White 41
3605	Nut, 5/16-18 Hex 3, 5	76085	Disk, Friction 46, 50	96262BK	Jumper, 3" Black 40
3606	Nut, 6-40 Hex 8, 50	76086	Washer, Spring 46, 50	96262S	Jumper, 4" Slate 40
3639	Washer, Lock 47	76087	Nut, 9/16-32 Friction 46, 50	96263BL	Jumper, 4-1/2" Blue 41
3640	Washer, Lock 16, 42, 47	76236	Nut, 5/16-18 Hex 4	97492	Nut, 10-24 Hex 9, 18
3646	Washer, Lock 15, 22, 27, 28, 32, 33, 34, 38, 47, 50	76474	Nut, 10-32 Hex 51, 53	98407	Post, Mounting 10
4703	Spring 16	76544	Spacer 9	98642	Washer, Lock 26
4814	Washer, Lock 3, 4, 5	76862	Screw, 1/4-20 x 1 Rd 5	98712	Screw, 4-40 x 1/4 Flat 46
5599	Nut, 8-32 Hex 22, 25, 33	77902	Screw, 6-40 x 2-3/8 Rd 31, 32, 35, 47	98718	Washer, Flat 25, 33, 36
6097	Spring 17	78453	Nut, 10-32 Hex 11, 12, 46	100658	Connector, 2 Pt Plug 45
6345	Nut, 6-32 Hex 41, 43	79152	Lamp, 48 V 55	100826	Screw, 4-40 x 3/16 Rd 16
6346	Screw, 6-32 x 23/32 Fil 25	80612	Nut, 8-32 Hex 12	101833	Screw, 8-32 x 5/16 Fil 10, 36
6347	Screw, 6-32 x 3/8 Rd 55, 56	82474	Terminal 13, 16, 34, 35, 36, 45	101994	Post, Spring 17
6807	Screw, 6-40 Set 46	82702	Screw, 6-40 x 9/32 Flat 48	102214	Screw, 6-40 x 13/64 Flat 4
6827	Block 27	84579	Washer, Flat 21	103241	Block, Terminal 10, 36
7001	Washer, Flat 12, 46, 47, 53	85318	Washer, Leather 8	104124	Screw, 1/4-32 x 11/32 Hex 12
7002	Washer, Flat 3, 4, 8, 10 to 14, 16 to 44, 46, 47, 51 to 56	85609	Screw, 1/4-20 x 5/8 Fil 18	104824	Spring 52
7656	Spring 51, 53	86835	Spring 11, 12, 13, 28, 29, 30	104827	Bearing, Ball 15
8185	Screw, 1/4-20 x 3/4 Fil 5	86968	Pin, Cotter 9	105104	Screw, 10-24 x 1/2 Fil 4, 18
8330	Washer, Flat 15	87636	Screw, 2-56 x 3/16 Rd 36, 45	106295	Block, Terminal 33
8669	Screw, 6-40 Shoulder 21	89548	Spring, Contact 27	107116	Washer, Lock 23, 36
25123	Screw, 1/4-32 x 7/16 Hex 11, 12, 17	89782	Spring 19, 20	107393	Switch, SP-ST Toggle 3, 10, 21, 22, 45
33038	Spring 46, 53	90707	Washer, Flat 35, 36	107398	Terminal 36
34432	Washer, Flat 27, 32, 33	90787	Screw, 4-40 x 3/8 Hex 42	108103	Washer, Flat 11
35503	Foot, Rubber 12	90789	Washer, Flat 40, 41, 43	110434	Screw, 4-40 x 3/16 Fil 16
35551	Screw, 10-32 x 3/8 Flat 7, 8, 18, 24, 55, 56	90790	Washer, Flat 47	110435	Nut, 4-40 Hex 16
41382	Spring 11, 12	90791	Washer, Lock 36, 45	110436	Spring 54, 55
		90959	Screw, 6-32 x 3/8 Oval 21, 22, 23, 24	110743	Washer, Lock 3 to 6, 28, 44, 50, 54
		91683	Nut, 15/32-32 Hex 3, 21, 22, 23, 24, 25, 28, 30, 32, 33, 36, 45	111017	Screw, 6-40 x 5/16 Fil 11 to 14, 25, 29 to 33, 35, 36, 37, 39, 42, 47, 51, 54, 55
		91684	Nut, 15/32-32 Ring 3, 21, 22, 23, 32, 36, 45	111345	Bolt 19
		92146	Nut, 1/4-20 Hex 3, 4, 5, 9, 18	111346	Spring, Compression 19
				111427	Washer, Flat 21
				111516	Washer, Flat 10, 13, 18, 47, 51, 52
				112626	Nut, 10-32 Hex 7, 8, 15, 17, 18, 26
				112627	Nut, 2-56 Hex 54
				112630	Spring 11, 12
				112801	Stud 36

NUMERICAL INDEX (Continued)

Part Number	Description and Page Number	Part Number	Description and Page Number	Part Number	Description and Page Number
113099	Screw, 6-40 Thumb 13	128357	Ring, Retaining 53	145454**	Cover, Top 4
114478	Nut, 15/32-32 Hex 23, 25, 30, 32, 45	129514	Spacer, .500" Thk 25	145455**	Cover, Bottom 19
115134	Washer, Felt 50	129919	Fuse, 4 Amp SL-BL 13, 14, 31 to 34, 36	145456**	Cover, Center 19
115358	Fuse, 1 Amp 32	135013	Stud 47	145457**	Cover, Top 19
115594	Nut, Speed 5, 26	136466	Spacer, .250" Thk 33	145458**	Cover 4
116155	Switch 52	138191	Screw, 3-48 x 1 Rd 27	145459**	Frame, Outer 4
116783	Holder, Fuse 13, 14, 31, 32, 33, 34, 36, 40, 41, 44	138225	Block, 6 Row Terminal 10, 28, 31, 32, 36	145460	Bracket 19, 20
117176	Fuse, 0.5 Amp SL-BL 41	139158	Connector, Duplex Receptacle 28, 31 to 34, 36	145464	Keylever Assembly CR 19, 20
117535	Washer, Flat 10 to 14, 46, 49, 53	139335	Connector, 6 Pt Plug 44	145465	Keylever Assembly LF 19, 20
117580	Holder, Fuse 30, 34	142108	Diode 30	145466	Spring, Compression 19, 20
118510	Fuse, 1/4 Amp 33, 36, 48	142230	Suppressor, Electrical Noise 34	145467**	Door 19
118578	Clamp, 3/4 ID Cable 44	142709	Fuse, 2 Amp 41	145468	Clamp, Right 19
118609	Holder, Fuse 44	144965	Rack Assembly 2, 26, 27	145469	Plate, Base 11
118659	Switch, Toggle 45	144966	Bracket, Left 26, 27, 31	145470	Link w/Nut 11, 12
118759	Block, Terminal 31, 33	144967	Bracket, Right 26, 31	145471	Link w/Post 11, 12
118865	Cover 5	144969	Brace, Lower 26	145476	Bracket, Copyright 11
119347	Screw, 6-32 x 3/8 Rd 3	144971	Brace, Upper 26	145481	Plate 26
119401	Washer, Flat 25	144972	Bracket 27, 38	145487	Screw, 6-40 Shoulder 11, 12
119535	Bushing 46	144973	Bracket, Terminal Strip 27	145489	Cable w/Terminals 11
119638**	Button, Plug 22	144974	Bracket 27	145490	Bolt, Latch 19, 20
119649	Ring, Retaining 50, 51, 53	144979	Relay, 700 Ohm 30, 31, 34	145491	Extension 19, 20
119650	Ring, Retaining 19, 20	144989	Plate, Designation 56	145492	Screw, 6-40 Thumb 19, 20
119651	Ring, Retaining 11, 12	145003	Relay 30, 31, 34	145493	Plate, Striker 4
119652	Ring, Retaining 46	145010	Modification Kit 2, 55	145714	Felt, Pad 4
119653	Ring, Retaining 46	145017	Rectifier 2, 56	145713	Pad, Felt 4
119703	Screw, 10-24 x 5/8 Hex 3	145023	Panel, Rubber 55, 56	145769	Plate 4
120175	Plate, ON-OFF 30, 32, 33	145024	Shield Assembly 25, 55	145770	Bracket 4
121018	Nut, 4-40 Hex 42, 44	145029	Buzzer 23	145771	Plate 4
121242	Clamp, 1/8 ID Cable 13, 45	145073	Panel, Plastic 55	145772	Bracket 4
121243	Clamp, 3/16 ID Cable 11, 45	145074	Plate, Designation 55	145773	Plate 4
121244	Clamp, 1/4 ID Cable 12, 28, 45, 47, 49, 56	145075	Modification Kit 2, 56	145774	Bracket 4
121245	Clamp, 5/16 ID Cable 25, 28, 43, 45, 47, 55	145076	Panel, Plastic 56	145775	Bracket 4
121246	Clamp, 3/8 ID Cable 13, 45, 47	145094	Plate, Designation 55	145880	Screw, 4-40 x 1/4 Oval 25
121247	Clamp, 7/16 ID Cable 10, 45	145205	Jumper, 4-1/4" Green 25	145882	Terminal 25, 45
121248	Clamp, 1/2 ID Cable 45, 55	145207	Cable Assembly 55, 56	145892	Shield, Light 11
121249	Clamp, 5/8 ID Cable 10, 12, 25, 45	145208	Cable Assembly 55	146138	Plate 25
121250	Clamp, 3/4 ID Cable 45	145231**	Panel 25	146149	Plate, Base 11, 12
121251	Clamp, 1 ID Cable 45	145233**	Panel Assembly, Control 2, 25	146163	Bracket, Right Top 17
121413	Spacer, .344" Thk 44	145236**	Door 25	146164	Bracket, Left Top 17
121534	Terminal 25, 45	145237	Panel, Plastic 25	146165	Bracket, Right Top 17
121536	Terminal 43, 45	145238	Plate, Designation 25	146166	Bracket, Left Top 17
121605	Bushing 19, 20	145239**	Bar, Guide 24, 25	146167	Bracket, Right Center 17
122184	Grommet 11	145241	Panel, Fuse 25	146168	Bracket, Left Center 17
122987	Spacer 47	145251	Washer, Cup 21 to 25	146169	Bracket, Right Center 12, 17
124177	Washer, Lock 46	145252	Panel, Plastic 55	146170	Bracket, Left Center 17
124218	Pin, Drive 45	145256	Connector, 3 Pt Plug 25, 45	146171	Plate, Top 17
124244	Washer, Felt 54	145264	Cable Assembly 25	146173	Plate, Center 17
124611	Screw, 8-32 x 3/8 Hex 34	145265	Cable 25	146179	Plate, Bottom 17
124955	Bumper, Rubber 9	145266	Fuse, 15 Amp SL-BL 25, 33, 36	146181	Bracket, Right Bottom 17
125002	Screw, 8-32 x 3/8 Flat 25, 26, 47	145273	Indicator 27	146182	Bracket, Left Bottom 17
125011	Washer, Flat 4	145274	Rack Assembly, Mounting 2, 27, 30	146183	Bracket, Right Rear 17
125015	Washer, Flat 19, 20, 47, 50	145281	Ring 24, 55, 56	146184	Bracket, Left Rear 17
125108	Screw, 6-32 x 3/8 Fil 3, 4, 25, 28, 55	145317	Screw, 6-40 Spl 11	146185	Slide, Left Center 17
125124	Screw, 4-40 Shoulder 54	145318	Screw, 6-40 Spl 11, 12	146187	Slide, Left Top 17
125129	Screw, 3-48 x 3/8 Fil 35, 36	145430	Plate, Oil Drip 11, 12	146188	Slide, Right Top 17
125185	Screw, 10-32 x 1/4 Rd 9	145435**	Base, Outer Frame 4	146189	Latch 17
125186	Screw, 8-32 x 3/4 Fil 27, 32	145445	Pad, Felt 4	146190	Bracket, Channel 17
125218	Nut, 1/4-32 Hex 17	145446**	Panel, Front 4	146291	Cable w/Terminals 12
125231	Nut, 10-32 Hex 10, 13, 14, 18, 46, 47, 49	145448**	Plate, Duct 4	146313	Wheel, Drive 46
125315	Washer, Insulating 44	145450	Modification Kit 2, 55	146314	Belt, O Ring 46
125802	Washer, Flat 5, 6	145451	Bracket 4	146320	Modification Kit 46
		145452**	Panel, Right Side 4	146332	Bushing, Spacer 17
		145453**	Panel, Left Side 4	146363	Cable Assembly 11
				146436	Cable w/Terminals 16
				146437	Bell Assembly 2, 16
				146967	Resistor, 750 Ohm 44

**Refer to Page I for Finish Suffix

NUMERICAL INDEX (Continued)

Part Number	Description and Page Number	Part Number	Description and Page Number	Part Number	Description and Page Number
148257	Terminal, Insulated 44	151637	Screw, 4-40 x 1/4 Fil 28, 42	153462	Plate 39
148396	Disk 46	151642	Screw, 6-40 x 3/4 Fil 53	153466	Cover 29, 30, 34, 36
148397	Bracket 46	151657	Screw, 6-40 x 1/4 Fil 44, 46, 48, 52	153468	Insulator, Left 29, 30, 34, 36
150040	Screw, 6-40 x 5/8 Fil 28, 37, 39 to 42, 51, 53, 55	151658	Screw, 6-40 x 5/16 Fil 11, 12, 13, 28	153470	Insulator, Right 29, 30, 34
150323	Washer, Flat 26, 27, 29 to 36, 38	151659	Screw, 6-40 x 1/2 Fil 25	153477	Cable w/Terminals 40
150383	Spacer, .149" Thk 46	151660	Screw, 6-40 x 7/8 Fil 46, 52, 53	153484	Screw, 6-32 Spl 28, 29, 30, 33, 34, 36, 38
150780	Screw, 6-40 Spl 53	151686	Screw, 4-40 x 3/8 Fil 5, 6, 29, 30, 47	153487	Cable Assembly 13
150966	Insulator, Terminal 11 to 14, 29 to 33	151687	Screw, 4-40 x 7/16 Fil 3	153537	Screw, 6-40 x 9/32 Hex 11, 13, 46
151036	Screw, 4-40 Shoulder 54	151690	Screw, 10-32 x 5/16 Fil 47, 51, 53	153538	Screw, 6-40 x 7/16 Hex 19, 20, 33, 46, 50
151113	Strip, Mounting 11, 12, 13	151691	Screw, 10-32 x 3/8 Fil 24, 25	153819	Washer, Lock 35, 36
151118	Plate, Spacing 11, 12, 13	151692	Screw, 6-40 x 3/16 Fil 19, 29, 30, 34	153841	Screw, 6-40 x 9/16 Hex 43
151126	Spacer, .250" Thk 15	151693	Screw, 6-40 x 9/16 Fil 31, 32, 36	154021	Link 11
151146	Strap, Mounting 11, 12, 13	151712	Button, Pivot 15	154051	Screw, 6-40 Shoulder 11
151159	Bracket 11, 12	151721	Screw, 6-40 x 3/4 Hex 12, 21	154085	Plate 15
151228	Bracket w/Bearing 15	151722	Screw, 6-40 x 3/16 Hex 11, 12, 19, 28 to 33, 35, 36, 38, 47, 52, 53	154127	Nut, 6-40 Hex 12, 47
151335	Stud 11 to 14, 29 to 36, 38, 47	151723	Screw, 10-32 x 3/8 Hex 10, 12, 13, 18, 26, 46, 47, 50, 52	154176	Bracket 11
151346	Screw, 6-40 x 3/8 Fil 16, 37, 39, 52, 53	151724	Screw, 10-32 x 5/8 Hex 10, 12, 15, 17, 46, 49	154224	Gear Assembly, Intermediate 2, 15
151354	Screw, 2-56 x 15/32 Fil 54	151725	Screw, 10-32 x 3/4 Fil 10, 15	154251	Latch 25
151411	Block, Terminal 30, 32, 35, 36, 37, 39, 42	151733	Screw, 4-40 x 9/16 Fil 4	154335	Screw, 6-40 x 9/32 Fil 17
151412	Insulator, Terminal 30, 32, 35, 36, 37, 39, 42	151819	Jumper, 3" Black 28, 34	154409**	Plate 3, 4
151415	Block, Terminal 11 to 14, 29 to 33	151827	Strap, Terminal 25, 28, 30, 32, 34, 39	154437	Insulator, Terminal 28, 38
151416	Nut, 6-40 Hex 11 to 14, 25, 29 to 33, 35, 36, 37, 39, 42, 47, 55	151880	Nut, 4-40 Hex 25, 50	154446	Cover 28, 38
151427	Plate, Clamp 40 to 43	151982	Lamp, 6 V Incandescent 11, 13, 22, 23, 24, 45	154662	Lubricator 15
151435	Insulator, Terminal 31	152124	Spacer 27	154663	Shaft 15
151436	Cover 31	152420	Lamination, Magnet 43	155023	Switch, DP-DT Toggle 23, 24, 25, 28, 30 to 33, 36, 45, 55, 56
151437	Stud 37, 38, 39	152426	Nut, 6-40 Hex Self-Locking 43	155083	Lens, Red Indicator Light 22, 23
151442	Screw, 6-40 x 1/2 Hex 29, 30, 34, 46	152460	Bracket 13	155750	Sleeve, 3/32 ID x 1/2" Lg Insulating 28, 35, 36, 42, 45, 54
151511	Gasket 19	152461	Bracket 12, 47	155751	Sleeve, 1/8 ID x 1" Lg Insulating 45, 48
151540	Lampholder 11, 22, 23, 24, 28, 45	152462	Latch, Right 11, 12, 13, 28, 29, 30	155752	Sleeve, 5/64 ID x 1/2" Lg Insulating 45
151545	Guide, Paper 19	152463	Latch, Left 11, 12, 13, 28, 29, 30	155753	Sleeve, 1/8 ID x 1/2" Lg Insulating 28, 35, 36, 45, 52
151549	Post 18	152464	Insulator, .062" Thk 11, 12, 13, 29, 30	155754	Sleeve, 1/16 ID x 1/2" Lg Insulating 45
151558	Nut, Speed 22, 23	152465	Connector, 20 Pt Receptacle 28, 29, 45	155755	Sleeve, 11/64 ID x 5/8" Lg Insulating 45, 47
151560	Bell Assembly, Remote 2, 16, 36	152466	Connector, 20 Pt Receptacle 10, 28, 29, 45	155859	Screw, 4-40 Spl 28, 45
151564	Bracket 16	152467	Connector, 20 Pt Plug 11, 12, 28, 29, 30, 45	155860	Screw, 4-40 x 3/8 Rd 28, 45
151565	Bushing, Shoulder 16	152755	Strap, Terminal 25, 30	155861	Washer, Lock 28, 45
151567	Armature w/Clapper 16	152761	Stud 37	155954	Switch, Sensitive 54
151571	Cable w/Terminals 16	152893	Screw, 4-40 x 1/4 Hex 50	156337	Washer, Flat 12
151572	Washer, Lock 9	153017	Nut, Speed 26, 27, 29 to 36, 39, 42	156591	Washer, Felt 46
151574	Grommet, Rubber 16	153103	Screw, 4-40 Self-Tapping 4	156740	Screw, 6-40 x 7/32 Hex 10, 15, 19, 20, 21, 32, 33
151577	Screw, 6-40 Shoulder 16	153252	Link 11, 12	156887	Screw, 10-32 x 9/16 Hex 47
151579	Plate, Retaining 16	153388	Stud 28, 29, 30	156976	Connector, 32 Pt Plug 28
151606	Screw, 10-32 x 1/4 Hex 12	153400	Lamp, 60 V Incandescent 21	157230	Jumper, 6" Black 28
151610	Washer, Flat 50	153441	Screw, 10-32 x 7/16 Hex 14	157281	Transformer Assembly 33
151612	Spacer 42	153442	Screw, 10-32 x 1/2 Hex 10, 11, 13, 14, 17, 18, 26, 46, 47, 49, 52	157314	Socket, 7 Pt Tube 42
151618	Screw, 6-40 x 7/16 Fil 37, 38, 39, 42	153456	Bracket 37	158250	Block, Terminal 11, 12, 25, 47, 55
151626	Terminal 10 to 14, 16, 28, 34, 40, 41, 44, 45, 51, 53, 54	153459	Block, Terminal 28 to 30, 34, 36, 38	158252	Insulator, Terminal 11, 12, 25, 47, 55
151629	Nut, 6-40 Lug 43, 51, 53			158258	Connector, 20 Pt Plug 13
151630	Screw, 6-40 x 1/4 Hex 4, 5, 11 to 15, 18, 23, 24, 27, 34, 36, 43, 46, 47, 51			158259	Connector, 20 Pt Receptacle 10, 45
151631	Screw, 6-40 x 5/16 Hex 10 to 13, 15, 17, 22, 23, 28, 46, 50			158278	Container 37, 39
151632	Screw, 6-40 x 3/8 Hex 4, 8, 11 to 15, 21, 23, 25, 30, 31 to 34, 36, 44, 46, 49, 50, 55			158283	Connector, 32 Pt Receptacle 28, 45
				158286	Transformer 11, 13, 14, 28 to 32, 34, 36

**Refer to Page 1 for Finish Suffix

NUMERICAL INDEX (Continued)

Part Number	Description and Page Number	Part Number	Description and Page Number	Part Number	Description and Page Number
158287	Transformer Assembly 33	164609	Plate, Identification 3	172659	Slide, Left Bottom Outer 18
158317	Insulator, Switch 54	164610	Brace 10	172682	Slide, Right Middle 18
158318	Cable 54	164613	Bracket, Right Mounting 18	172683	Slide, Left Middle 18
158649	Screw, 4-40 Thumb 19, 25	164614	Bracket, Left Mounting 18	172684	Slide, Right Inner 13, 14, 18
158745	Clamp, Bearing 15	164615	Plate, Base 13	172685	Slide, Left Inner 18
158991	Capacitor, 15 MFD 27, 32, 33	164616	Brace 10	172693**	Panel, Right Side 3
158992	Bracket, Mounting 27, 32, 33	164617	Base, Paper Winder 14, 46, 47, 52	172694**	Panel, Left Side 3
159238	Connector, 2 Pt Receptacle 23, 45	164618	Handle 13	172695	Base 3
159931	Clamp 28	164619	Plate, Mounting 10	172696**	Brace, Front Bottom 3
159932	Keeper 28	164620	Guard, Terminal Board 10	172697**	Brace, Front Top 3
160229	Plate, Mounting 40, 41	164622	Bracket 13	172698**	Brace, Rear Bottom 3, 4
160341**	Hinge, Left 19	164623	Bracket, Right Mounting 13	172699**	Cover, Keyboard 18
160344**	Clamp, Left 19	164624	Cable Assembly 3, 10	172700**	Door Assembly 2, 9
160349**	Hinge, Right 19	164626	Holder, Left Lamp 13	172701**	Top 3
160370	Switch, NC Pushbutton 23, 45	164627	Holder, Right Lamp 13	172702**	Panel, Rear 3, 4
160399	Spring, Contact 19	164629	Bracket 13, 14	172703**	Panel, Top Rear 3, 4
161087	Insulator, Terminal 10, 36	164718	Plate, Adapter 46	172704	Frame 3
161238	Connector, 36 Pt Receptacle 35, 36	164719	Bracket, Mounting 13, 14, 46	172711	Plate, Cover 3
161239	Connector, 36 Pt Plug 36, 45	164722	Hub, Wheel 46	172712	Arm, Right Pivot 9
161683	Channel w/Rail 8	164723	Wheel, Driven 46	172713	Arm, Left Pivot 9
161684	Channel, Right 8	164724	Pulley 46	172714	Bracket, Spring 9
161703**	Cover, Top 5	164725	Pulley, Idler 46	172715	Screw, 10-24 Captive 3, 4
161705	Strike, Fastener 4, 6	164726	Post, Idler 46	172717	Bushing 9
161706**	Door, Right Rear 6	164727	Lever, Idler 46	172718	Screw, 1/4-20 Shoulder 9
161707**	Door, Left Rear 6	164728	Post, Idler Lever 46	172719	Screw, 1/4-20 Shoulder 9
161708	Latch, Magnetic 4, 5, 6	164729	Bracket w/Bearing 46	172758	Pad, Outer Frame 3, 4
161710	Channel, Left 7	164730	Bracket 13, 46	172762	Bumper, Rubber 9
161711	Block, Guide 7, 8, 18	164731	Shaft 46	172763	Nut, Grip 3, 4
161715	Channel, Right 7	164732	Extension 46	172791**	Panel, Front 3
161716	Block, Support 7, 8, 18	164733	Shield, Left Lamp 18	172961	Screw, 6-40 Stop 13
161731	Plate, Cover 5	164734	Belt, "O" Ring 46	173013**	Frame, Top 9
161747	Plate, Nut 4, 5, 6	164735	Coupling, Flexible 46	173014**	Frame, Left 9
161748	Screw, 5/16-18 x 5/8 Flat 3, 4, 5	164899	Pad, Side Top 3	173015**	Frame, Right 9
161752	Channel, Duct 5	164900	Pad, Side Bottom 3	173016**	Frame, Bottom 9
161986	Cover, Duct 5	164901	Pad, Rear Panel 3, 4	173017	Frame, Door 9
161987	Plate, Duct 5	164902	Pad, Side Center 3	173018	Gasket 9
161994	Bracket, Terminal Block 10	164903	Pad, Rear Top 3, 4	173019	Panel, Glass 9
161995	Bracket, Terminal Block 10	164925	Modification Kit 2, 46	173796	Transformer 39
161998	Plate, Teletype Name 4, 5	164927	Cable w/Terminals 13	173801	Tube, Vacuum 42
162333	Stud, Locating 11, 12, 13	164928	Cable Assembly 13	173942	Stud 39
162357	Capacitor, 500 MFD 40	164955	Guide, Right 10	173943	Plate, Left 38, 39
162358	Diode 40, 41	164956	Guide, Left 10	173944	Plate, Mounting 38, 39
162359	Transformer, Power 40	164999	Cable w/Terminals 14	173974	Screw, 10-32 x 5/16 Hex 11, 12
162360	Fuse, 8 Amp SL-BL 40	165103	Screw, 12-24 x 5/8 Rd 26, 27, 29 to 36, 38	174182	Relay, 550 Ohm 35
162361	Rectifier Assembly 2, 39, 40	165118	Socket, Lamp 55	174456	Plate, Nut 5
162627	Nut, #6 Speed 4, 5	165167	Lamp, Neon 55	176130	Arm, Right Pivot 9
162687	Screw, 6 x 1/2 Spl 4, 5	165168	Key 55	176131	Arm, Left Pivot 9
162692	Pin, Hinge 10	165261	Screw, 4-40 x 3/8 Oval 24, 55, 56	176132	Arm, Right Pivot 9
162730	Screw, 1/4-20 x 7/16 Hex 5	165469	Strip, Terminal 28	176133	Arm, Left Pivot 9
162958	Switch, Mercury 45	170573	Rectifier Assembly 2, 30, 34, 44	176134	Bracket, Mounting 3
163163	Pad 5	171258	Guide, Actuator Bar 41	176580	Lamp, 6V Incandescent 23
163440	Gear, 48T 15	171461	Capacitor, 900 MFD 44	177010	Driver Assembly, Selector Magnet 2, 31, 34, 43
163460	Gear, 55T 15	171463	Resistor, 1 Ohm 44	178261	Handle, Door 4
163973	Plate, Nut 7	171541	Diode 43	178389	Power Unit 49
164081	Spacer, .375" Thk 5	171609	Diode 44	178390	Bar, Static Eliminator 49
164087	Pan 8	171610	Transformer 44	178391	Cable, Inductor 49
164088	Pan Assembly 2, 8	171644	Fuse, 1.5 Amp 44	178392	Plug, Outlet 49
164234	Gear Assembly, Intermediate 2, 15	171651	Connector, 6 Pt Receptacle 44	178840	Capacitor, 400 MFD 43
164573	Rod 53	171952	Connector, Green Shielding 45	178841	Transformer 43
164577	Bracket 53	171972	Connector, Green Insulated 45	178843	Plate, Mounting 43
164604	Shield, Right Lamp 18	171973	Connector, Black Insulated 45	178859	Card, Circuit 43
164606	Bracket, Mounting 10	172650	Slide, Left Top Outer 18	178868	Resistor, 700 Ohm 43
164607	Bracket, Mounting 10	172651	Slide, Right Top Outer 18	178886	Cable w/Terminals 43
		172654	Slide, Left Center Outer 18	178888	Clip 43
		172655	Slide, Right Center Outer 18	179130	Screw, 10-32 Shoulder 17
		172658	Slide, Right Bottom Outer 18	179131	Screw, 10-24 x 5/8 Hex 4, 16

**Refer to Page 1 for Finish Suffix

NUMERICAL INDEX (Continued)

Part Number	Description and Page Number	Part Number	Description and Page Number	Part Number	Description and Page Number
179132	Collar, Spacing 9, 18	193551	Bracket 16	198092	Fan 48
179164	Bracket 12	193568	Panel Assembly 2, 32	198302**	Panel, Rear 4
179235	Bracket, Right Mounting 51, 53	193569	Mounting Assembly, Selector Magnet Driver 2, 32, 37	198303	Pad, Felt 4
179236	Bracket, Left Mounting 53	193570	Relay 32	198304	Pad, Felt 4
179237	Clamp, Left 51, 53	193575	Plate, Mounting 32	198306	Panel Assembly, Electrical Service 2, 34
179238	Clamp, Right 51, 53	193576**	Panel, Fixed Cover 22	198309	Plate, Mounting 34
179239	Bracket, Right Mounting 51, 53	193577	Clamp 19, 20, 21	198310	Modification Kit 2, 50, 51, 52
179240	Bracket, Left Mounting 51, 53	193657	Switch, Pushbutton 22	198311	Motor w/Reducer 50
179241	Rack, Copy Display 53	193658	Plate, Identification 22	198312	Arm, Paper Sensing 52
179290**	Cover, Bottom 20	193855**	Cover w/Clips 5	198314	Wheel, Thumb 50
179291**	Cover, Middle & Top 20	193941**	Modification Kit 2, 48	198315	Shaft, Roller 50
179293**	Panel, Keyboard 21	193942	Fan Assembly 48	198316	Weight, Paper 50
179294	Bracket 21	193943	Cable Assembly 48	198317	Bracket, Right 50
179295	Window, Plastic 19, 20	193944**	Extension, Fan Mounting 48	198318	Bracket, Left 50
179296	Clamp, Window 19, 20	193952	Bail, Slack 47	198319	Shaft 50
179297	Bracket, Right 17, 21	193960	Pilot 47	198320	Stop, Cover 52
179298	Bracket, Left 17	193964	Flange, Right 47	198321	Glide, Cover 52
179299**	Door w/Hinge 4	193965	Flange, Left 47	198322	Bracket, Switch 52
179300**	Frame, Outer 4	193994	Holder Assembly, Fuse 48	198323	Plate, Clutch 50
179301	Plate, Paper Guide 53	194324	Modification Kit 2, 54	198325	Bracket, Motor Mounting 50
179303	Post 21	194325	Bracket w/Post 54	198326	Rack, Copy Display 51
179304	Plate, Nut 21	194326	Bracket, Switch 54	198327	Plate, Paper Guide 51
179305**	Panel, Cover 21	194327	Lever 54	198328	Guide, Upper 50
179306	Plate, Identification 21, 23	194366	Plate, Lamp Holder 22, 23	198329	Bracket 50
179307	Panel, Mounting 31	194367	Plate, Relay Mounting 37	198330	Bracket w/Bearing 50
179309	Finger, Left Paper 53	194369	Driver Assembly, Selector Magnet 2, 37, 43	198331	Guide, Lower 50
179310	Finger, Right Paper 53	194370	Cable w/Terminals 43	198332	Tray, Paper 52
179366	Shaft 51, 53	194371	Guide 54	198333	Stop, Paper Tray 52
179367	Plate, Identification 21	194412	Plate, Identification 22	198334	Bracket 52
179368	Roller, Paper Guide 50, 53	194494**	Panel, Control 23	198335	Bracket, Left Mounting 51
179369	Modification Kit 2, 53	194495	Plate, Identification 23	198336	Shelf 52
179370	Lamp, Red Indicating 21	194496	Plate, Mounting 29	198337	Bin, Paper 52
179371	Lamp, Green Indicating 21	194497	Plate, Mounting 30	198338	Spring 51
179372	Shield, Light 22, 23	194498**	Panel, Front 4	198339	Bracket, Terminal 12
179373	Panel Assembly 2, 31	194499	Cable Assembly 23	198341	Cable Assembly 52
179377	Post 51, 53	194799	Cable Assembly 23	198342	Cable 50
179378	Retainer, Keylever 19, 20	194800	Cable Assembly 29	198343	Tray Assembly, Paper 52
179495	Screw, 10-24 x 1/2 Hex 4	195177	Washer, Insulating 43	198344	Shelf Assembly 52
179562	Card, Circuit 43	195216**	Brace, Top Front 4	198345	Bin Assembly, Paper 52
179564	Relay, 350 Ohm 35, 37	195394	Plate Assembly, Right Mounting 2, 29	198347	Diode Assembly 34
179815**	Cover 4	195395	Plate Assembly, Left Mounting 2, 30	198349	Guard, Terminal 34
181204	Washer, Flat 50	195396	Cable Assembly 29	198649	Connector, 15 Pt Circuit Card 42
181661	Buzzer, 115V AC 36	195431	Washer, Spring 46	199395	Shield, Contact Box 12
181892	Sleeve, 9/64 ID x 1" Lg Insulating 45	195438	Sleeve 46	305056	Plate, Identification 4, 5, 18
182658	Socket, Lamp 45	195439	Shaft 46	305678	Post 47
182714	Cap, White Lens 23	195522	Guard, Relay 30	305679	Bearing 47
182715	Cap, Red Lens 23	195531	Cable Assembly 44	306980	Bracket, Upper 11
192669	Driver Assembly, Selector Magnet 2, 35, 37, 43	195540	Modification Kit 2, 49	306981	Bracket, Lower 11
192773	Cover, Relay Panel 26	195543	Bracket, Mounting 49	306982	Bar 11
193535	Panel Assembly 2, 28	195611	Fuse, SL-BL 15 Amp 30, 34	306983	Modification Kit 11
193536	Cable Assembly 28	195921	Modification Kit 2, 47	306991	Bracket 15
193537	Cable Assembly 28	195922	Modification Kit 2, 47	306992	Clamp 15
193538	Cable Assembly 28	195930	Bracket 47	306993	Plate 15
193539	Cable Assembly 28	195932	Bracket 47	306994	Shaft 15
193540	Cable Assembly 28	195933	Bracket 47	306995	Spacer 15
193541	Cable Assembly 28	195934	Clip, Spring 47	307853**	Cover, Top 4
193542	Panel, Connector 28	195936	Insulator 47	309863	Driver Assembly 2, 38, 39, 42
193543	Bracket, Left Front 26	196930	Grille 48	309864	Plate 42
193544	Bracket, Left Rear 26	196931	Clip 48	309865	Card, Circuit 42
193545	Panel, Red Plastic 24	197603	Bracket 27	309870	Tube, Vacuum 42
193546	Panel, Yellow Plastic 24	197846	Cable Assembly 27	309871	Shield, Vacuum Tube 42
193547	Plate, Mounting 24	198062	Motor, 115V AC 50 & 60 Cycle 47	309873	Shield, Vacuum Tube 42
193548	Plate, Designation 24			310083	Panel Assembly, Electrical Service 2, 32
193549	Panel, Plastic 24			310084	Mounting Assembly, Selector Magnet Driver 2, 32, 39
193550**	Panel 24				

**Refer to Page 1 for Finish Suffix

NUMERICAL INDEX (Continued)

Part Number	Description and Page Number	Part Number	Description and Page Number	Part Number	Description and Page Number
310189	Plate, Mounting 32	311252**	Frame 4	312699	Capacitor, 600 MFD 41
310190	Bracket, Mounting 27	311254**	Panel 23	312701	Insulator 33
310231	Rack Assembly, Mounting 2, 27	311255	Plate, Switch 23	312702	Insulator, Terminal 33
310609	Bracket, Bumper 12	311256	Plate, Lamp 23	312703	Strap, Terminal 33
311229	Panel Assembly, Electrical Service 2, 35, 36	311257	Plate, Bottom 26	312704	Container 38
311233	Cable Assembly 35	311259	Cover, Insulator 36	312714**	Panel, Fixed Cover 22
311234	Cable Assembly 36	311260	Cover, Relay 35	312715	Plate, Identification 22
311235	Plate, Right 36	311261	Jumper, 3" Green 36	312716	Plate, Identification 22
311236	Plate, Left 35	311262	Jumper, 3" Green 36	315797	Rack Assembly 2, 26
311240	Cable Assembly 36	311263	Jumper, 3" White 36	315847	Modification Kit 17
311241	Bracket, Left 26, 27	311267**	Cover Assembly, Bottom 2, 19	315848	Latch 17
311242	Bracket, Right 26	311455	Guard, Gear 47	317063	Bracket 41
311243	Rack Assembly 2, 26	312500	Shield, Motor 50	317064	Cover 41
311244**	Panel, Right Side 4	312541	Transformer 41	317213	Lever 17
311245**	Panel, Left Side 4	312542	Rectifier Assembly 2, 33, 41	317214	Bracket, Channel 17
311246**	Base, Outer Frame 4	312696	Panel Assembly, Electrical Service 2, 33, 41	317219	Cable w/Terminals 41
311247**	Door 4	312697	Panel, Mounting 33	317323	Post 43
311248**	Cover, Bottom 19	312698	Mounting Assembly, Selector Magnet Driver 2, 38	320233	Spring 9
311249	Plate, Bottom Adapter 17			321925	Cover, Rectifier 44
311250	Pad, Felt 4			321926	Cover 44

**Refer to Page 1 for Finish Suffix